



US00D688976S

(12) **United States Design Patent**
Dunn

(10) **Patent No.:** **US D688,976 S**

(45) **Date of Patent:** **** Sep. 3, 2013**

(54) **SQUARE DISPLAY HOLDER FOR A CORD**

3,203,700 A 8/1965 Kheainne

3,228,640 A 1/1966 Wolsh

3,322,381 A 5/1967 Bubb

(76) Inventor: **Scott E. Dunn**, Atlanta, GA (US)

(Continued)

(**) Term: **14 Years**

FOREIGN PATENT DOCUMENTS

(21) Appl. No.: **29/431,031**

WO WO 2010132567 11/2010

(22) Filed: **Aug. 31, 2012**

OTHER PUBLICATIONS

(51) **LOC (9) Cl.** **11-02**

U.S. Appl. No. 61/439,606, filed Feb. 4, 2011, Scott E. Dunn.

(52) **U.S. Cl.**

U.S. Appl. No. 13/367,352, filed Feb. 6, 2012, Scott E. Dunn.

USPC **D11/184**

(Continued)

(58) **Field of Classification Search**

USPC D11/184; D8/105, 107, 333, 349,
D8/354, 356, 358, 367, 373, 382, 383, 394-396;
D23/261; D26/38; 24/197, 561; 174/153 G;
242/400.1, 405.1, 405.2, 600, 916; 248/65,
248/74.1-74.4, 214, 215, 229.26, 201, 302,
248/204, 316.7, 316.8; 439/501; D34/38;
108/57.52; D24/128

Primary Examiner — T. Chase Nelson

Assistant Examiner — Michelle E Wilson

(74) *Attorney, Agent, or Firm* — Ballard Spahr LLP

See application file for complete search history.

(57)

CLAIM

The ornamental design for a square display holder for a cord,
as shown and described.

(56) **References Cited**

DESCRIPTION

U.S. PATENT DOCUMENTS

168,063 A	9/1875	Tatloe	
807,747 A	12/1905	Kling	
1,195,276 A	8/1916	Seaman	
1,337,722 A	4/1920	Porter	
1,388,219 A	8/1921	Thompson	
D67,289 S	5/1925	Ladewich	
1,593,078 A	7/1926	Jacoss	
1,832,318 A	11/1931	Myers	
2,083,431 A	6/1937	Cole	
D133,983 S	10/1942	Anderson	
D137,768 S	4/1944	Shirley	
2,355,154 A	8/1944	Goudreau	
D156,622 S	12/1949	Harmon	
2,601,088 A	6/1952	Burgess	
D167,185 S	7/1952	Wendt	
2,611,615 A	9/1952	Watson	
2,616,196 A	11/1952	Sandahl	
D170,594 S *	10/1953	Leonard et al.	D24/128
2,786,983 A	3/1957	Hill	

FIG. 1 is a perspective view of an square display holder for a cord of the present invention;

FIG. 2 is a front elevational view of the square display holder for a cord of FIG. 1;

FIG. 3 is a rear elevational view of the square display holder for a cord of FIG. 1;

FIG. 4 is a left side elevational view of the square display holder for a cord of FIG. 1;

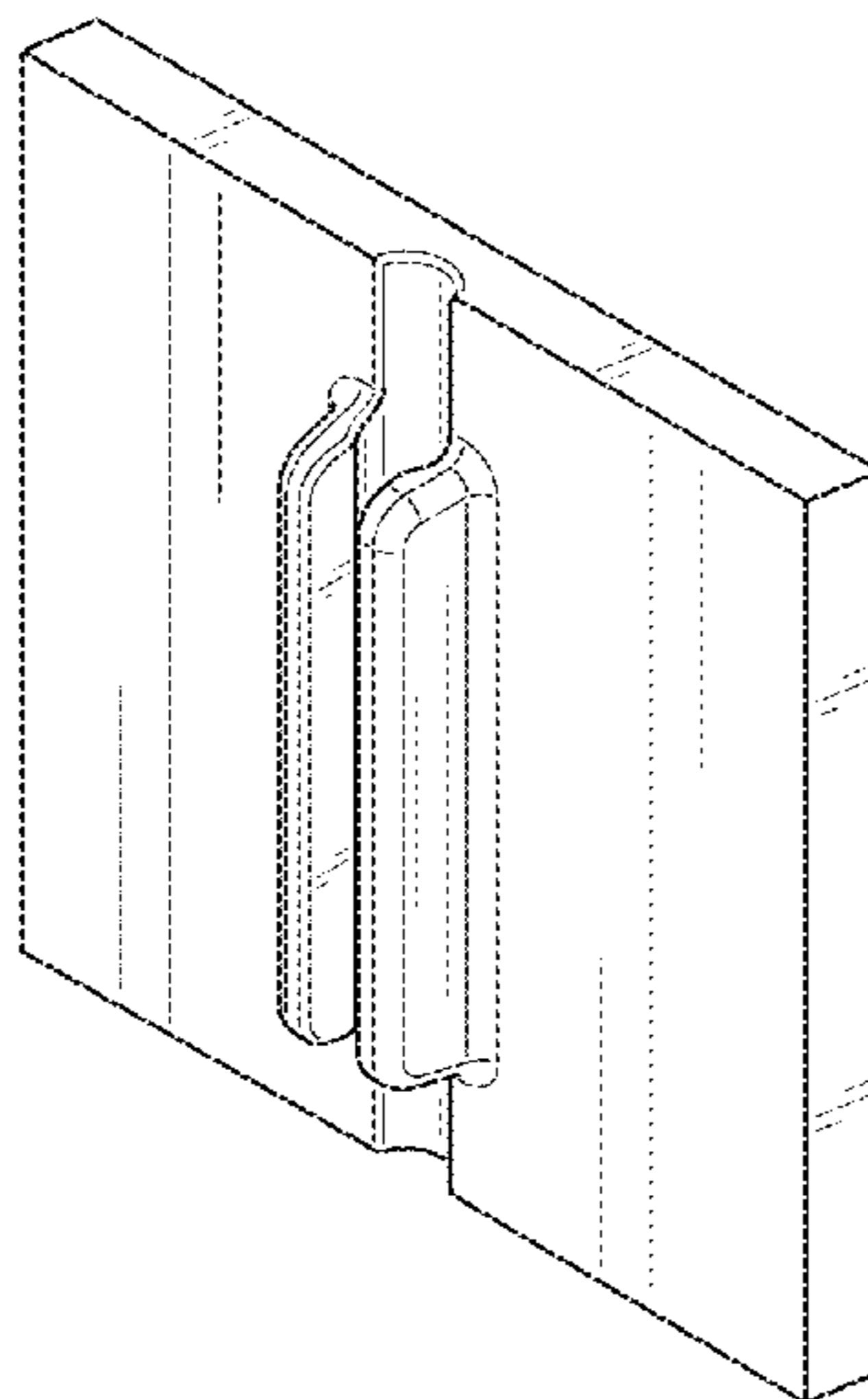
FIG. 5 is a right side elevational view of the square display holder for a cord of FIG. 1;

FIG. 6 is a top elevational view of the square display holder for a cord of FIG. 1;

FIG. 7 is a bottom elevational view of the square display holder for a cord of FIG. 1; and,

FIG. 8 is a rear perspective view of the square display holder for a cord of FIG. 1.

1 Claim, 6 Drawing Sheets



(56)

References Cited

U.S. PATENT DOCUMENTS

3,519,731 A	7/1970	Grunbaum		5,929,384 A	7/1999	Ide	
3,576,304 A *	4/1971	Gillemot et al.	248/74.2	5,933,995 A	8/1999	Gorbach	
3,696,920 A *	10/1972	Lahay	206/370	5,934,509 A	8/1999	Niss	
3,766,854 A	10/1973	Scarlet		D413,544 S	9/1999	Steinberg	
3,772,809 A	11/1973	Schneller		5,971,436 A	10/1999	Cox	
3,788,269 A	1/1974	Scarlet		5,979,028 A	11/1999	Hicks	
D235,023 S	4/1975	Swayze		D421,773 S	3/2000	Yashar	
4,004,362 A	1/1977	Barbieri		6,087,589 A	7/2000	Ide	
4,011,673 A	3/1977	Levine		6,120,565 A	9/2000	Dix	
4,103,949 A	8/1978	Bouloy		D436,518 S *	1/2001	Matsubara	D8/356
4,131,226 A	12/1978	Breiter et al.		D438,624 S	3/2001	Reina	
4,177,750 A	12/1979	Scarlet		D438,788 S	3/2001	Rigel	
4,198,202 A	4/1980	Kleber		6,226,865 B1	5/2001	Tanikawa	
D256,398 S	8/1980	Mitchell		D446,676 S	8/2001	Mayes	
4,261,121 A	4/1981	Coon		D446,903 S	8/2001	Pavan	
4,294,895 A	10/1981	Atkins		6,269,573 B1	8/2001	Najmi	
D264,379 S *	5/1982	Slinkard	D24/128	D448,276 S	9/2001	Kelleghan	
D266,054 S	9/1982	Goodman		6,301,756 B1	10/2001	Howard	
4,398,444 A	8/1983	Walker		D449,981 S	11/2001	Davis	
D270,525 S	9/1983	Bayusik		D452,135 S	12/2001	Wyatt	
D275,174 S *	8/1984	Rolli	D8/356	6,332,247 B1	12/2001	Hsieh	
4,464,834 A	8/1984	Simms		D454,244 S *	3/2002	Scheff	D99/34
D280,393 S	9/1985	Lee		D454,971 S	3/2002	Crosby	
D280,394 S	9/1985	Lee		D455,145 S	4/2002	Williams	
4,539,767 A	9/1985	Jaffe		D456,016 S	4/2002	Denson	
D285,044 S *	8/1986	Mockett	D8/354	D456,389 S	4/2002	Denson	
D289,138 S *	4/1987	Nead	D8/356	D456,692 S *	5/2002	Epstein	D8/356
4,656,767 A	4/1987	Tarrant		D457,157 S	5/2002	Best	
D289,732 S *	5/1987	Jason	D8/356	6,381,840 B2	5/2002	Ide	
D293,766 S *	1/1988	Lamb	D8/356	6,392,147 B1 *	5/2002	Hier et al.	174/70 C
4,738,817 A	4/1988	Wittwer et al.		D459,194 S	6/2002	Johansson	
D298,355 S *	11/1988	Young	D24/128	6,409,131 B1	6/2002	Bentley	
4,821,988 A	4/1989	Jimenez		D460,350 S	7/2002	Davis	
4,856,214 A	8/1989	Machen		6,430,782 B1	8/2002	Torres	
D305,254 S	12/1989	Bateman		D465,993 S	11/2002	Kelleghan	
D308,011 S *	5/1990	Norris	D8/356	6,490,789 B1	12/2002	Ide	
D314,529 S	2/1991	Willard		6,497,063 B1	12/2002	Stephens	
D317,171 S	5/1991	Saks		D477,772 S	7/2003	Nezu	
D321,913 S	11/1991	Wolff		6,598,558 B2	7/2003	Griffin	
D325,400 S	4/1992	Wolff		6,634,528 B2	10/2003	Hurtgam	
5,122,068 A	6/1992	Koss		D481,649 S	11/2003	Samuels	
5,161,799 A	11/1992	Nandra		D482,391 S	11/2003	Hui	
5,203,129 A	4/1993	Johnson		6,651,362 B2	11/2003	Caveney	
5,207,174 A	5/1993	Fabbrini		6,657,126 B2	12/2003	Ide	
5,209,992 A	5/1993	Feres		6,662,445 B2	12/2003	Tanikawa	
D336,131 S *	6/1993	Nordstrom et al.	D24/128	D485,783 S	1/2004	Youngman	
D340,038 S	10/1993	Venne		D486,926 S	2/2004	Yuen	
D356,350 S	3/1995	Berggreen		D490,692 S	6/2004	Williams	
D358,615 S	5/1995	Cline		D491,836 S	6/2004	Haimoff	
D364,201 S	11/1995	Jensen		D492,800 S	7/2004	Yuen	
D365,781 S	1/1996	Osborn		D494,087 S	8/2004	Lax	
5,479,735 A	1/1996	Martin, Jr.		D494,090 S	8/2004	Lax	
D369,042 S	4/1996	Kinart		D494,091 S	8/2004	Lax	
D369,758 S	5/1996	Remidio		D494,092 S	8/2004	Lax	
D370,061 S *	5/1996	Shirley	D24/128	D494,093 S	8/2004	Lax	
5,536,096 A	7/1996	Nowak		6,844,499 B2	1/2005	Ide	
5,537,042 A	7/1996	Beutler		D502,122 S	2/2005	Lax	
D372,533 S *	8/1996	Davis	D24/128	6,858,804 B2	2/2005	Murakami	
5,584,122 A	12/1996	Kato et al.		D505,091 S	5/2005	Youngman	
5,657,198 A	8/1997	Flener		D505,356 S	5/2005	Ho	
5,669,191 A	9/1997	Weaver		D507,508 S	7/2005	Brownell	
D388,833 S	1/1998	Wilson		6,940,020 B2	9/2005	Ide	
5,712,767 A	1/1998	Koizumi		D511,709 S	11/2005	Mehta	
D390,066 S *	2/1998	Watkins et al.	D7/633	D511,987 S	11/2005	Swarovski	
D393,345 S	4/1998	Clegg		D511,989 S	11/2005	Pereira De Castro	
5,740,622 A	4/1998	Martin		D512,934 S	12/2005	Voorn	
D396,146 S	7/1998	Blue		D514,978 S	2/2006	Lakhi	
D401,883 S	12/1998	Madhvani		D520,676 S	5/2006	Chen	
5,845,883 A	12/1998	Meyer		D521,409 S	5/2006	De Castro	
5,869,784 A	2/1999	Shinchi		7,073,282 B2	7/2006	Savagian	
D407,453 S	3/1999	Rashman		7,111,812 B2	9/2006	Shannon	
5,887,368 A	3/1999	Rupp		D529,557 S	10/2006	Greenwald	
D412,136 S	7/1999	Namdar		D534,594 S	1/2007	Revere	
5,922,993 A	7/1999	Ide		D535,907 S	1/2007	Sevdermish	
5,925,202 A	7/1999	Ide		D538,351 S	3/2007	Strong	
				7,194,829 B2	3/2007	Boire	
				D542,123 S	5/2007	Symons	
				D547,862 S *	7/2007	Dikeman et al.	D24/128
				D548,057 S	8/2007	Kelleghan	

US D688,976 S

D563,157 S	3/2008	Bouveret	U.S. Appl. No. 29/394,589, filed Jun. 18, 2011, Scott E. Dunn.
D563,616 S	3/2008	Lynde	U.S. Appl. No. 29/394,590, filed Jun. 18, 2011, Scott E. Dunn.
D563,828 S	3/2008	Meijer	U.S. Appl. No. 29/394,591, filed Jun. 18, 2011, Scott E. Dunn.
D568,723 S	5/2008	Morgan	U.S. Appl. No. 29/394,592, filed Jun. 18, 2011, Scott E. Dunn.
D572,126 S	7/2008	Tomaka	U.S. Appl. No. 29/394,593, filed Jun. 18, 2011, Scott E. Dunn.
D572,165 S	7/2008	Lichtenstein	U.S. Appl. No. 29/394,594, filed Jun. 18, 2011, Scott E. Dunn.
D575,143 S	8/2008	Kuo	U.S. Appl. No. 29/394,595, filed Jun. 18, 2011, Scott E. Dunn.
D575,887 S *	8/2008	Mukai D26/24	U.S. Appl. No. 29/394,596, filed Jun. 18, 2011, Scott E. Dunn.
D576,320 S *	9/2008	Mukai D26/24	U.S. Appl. No. 29/394,597, filed Jun. 18, 2011, Scott E. Dunn.
D578,163 S	10/2008	Chou	U.S. Appl. No. 29/394,598, filed Jun. 18, 2011, Scott E. Dunn.
D578,275 S	10/2008	Shantz	U.S. Appl. No. 29/394,599, filed Jun. 18, 2011, Scott E. Dunn.
D585,196 S	1/2009	Bundrick	U.S. Appl. No. 29/394,600, filed Jun. 18, 2011, Scott E. Dunn.
D587,162 S	2/2009	Baker	U.S. Appl. No. 29/411,277, filed Jan. 19, 2012, Scott E. Dunn.
D587,163 S	2/2009	Baker	U.S. Appl. No. 29/411,282, filed Jan. 19, 2012, Scott E. Dunn.
D587,164 S	2/2009	Baker	U.S. Appl. No. 29/411,283, filed Jan. 19, 2012, Scott E. Dunn.
D587,623 S	3/2009	Baker	U.S. Appl. No. 29/411,284, filed Jan. 19, 2012, Scott E. Dunn.
D587,624 S	3/2009	Baker	U.S. Appl. No. 29/411,285, filed Jan. 19, 2012, Scott E. Dunn.
D589,328 S	3/2009	Edge	U.S. Appl. No. 29/411,286, filed Jan. 19, 2012, Scott E. Dunn.
7,509,765 B2	3/2009	Flores	U.S. Appl. No. 29/411,288, filed Jan. 19, 2012, Scott E. Dunn.
D590,676 S	4/2009	Pickard	U.S. Appl. No. 29/411,291, filed Jan. 19, 2012, Scott E. Dunn.
D590,885 S	4/2009	Love	U.S. Appl. No. 29/411,293, filed Jan. 19, 2012, Scott E. Dunn.
D592,303 S *	5/2009	Chesnin D24/128	U.S. Appl. No. 29/411,295, filed Jan. 19, 2012, Scott E. Dunn.
D592,540 S	5/2009	Rydlawicz	U.S. Appl. No. 29/411,296, filed Jan. 19, 2012, Scott E. Dunn.
D599,246 S	9/2009	Rudes	U.S. Appl. No. 29/411,297, filed Jan. 19, 2012, Scott E. Dunn.
D609,951 S	2/2010	Walker	U.S. Appl. No. 29/411,298, filed Jan. 19, 2012, Scott E. Dunn.
D610,482 S	2/2010	Shaw	U.S. Appl. No. 29/411,300, filed Jan. 19, 2012, Scott E. Dunn.
7,687,999 B2	3/2010	Essick	U.S. Appl. No. 29/411,302, filed Jan. 19, 2012, Scott E. Dunn.
D618,985 S	7/2010	Sjoqvist	U.S. Appl. No. 29/411,309, filed Jan. 19, 2012, Scott E. Dunn.
D626,880 S	11/2010	Castaline	U.S. Appl. No. 29/411,311, filed Jan. 19, 2012, Scott E. Dunn.
D629,286 S	12/2010	Laskowski	U.S. Appl. No. 29/411,313, filed Jan. 19, 2012, Scott E. Dunn.
D629,671 S	12/2010	Ohuri	U.S. Appl. No. 29/411,315, filed Jan. 19, 2012, Scott E. Dunn.
D630,317 S *	1/2011	Wung D24/128	U.S. Appl. No. 29/431,036, filed Aug. 31, 2012, Scott E. Dunn.
D635,485 S	4/2011	Schanzer	U.S. Appl. No. 29/431,030, filed Aug. 31, 2012, Scott E. Dunn.
D639,408 S	6/2011	Newman	U.S. Appl. No. 29/431,054, filed Aug. 31, 2012, Scott E. Dunn.
D639,700 S	6/2011	Adams	U.S. Appl. No. 29/431,449, filed Sep. 7, 2012, Scott E. Dunn.
D644,150 S	8/2011	Edick	U.S. Appl. No. 29/431,049, filed Aug. 31, 2012, Scott E. Dunn.
D644,501 S	9/2011	Chen	U.S. Appl. No. 29/430,979, filed Aug. 31, 2012, Scott E. Dunn.
D645,345 S	9/2011	Liebowitz	U.S. Appl. No. 29/431,033, filed Aug. 31, 2012, Scott E. Dunn.
D646,730 S	10/2011	Burch	U.S. Appl. No. 29/431,052, filed Aug. 31, 2012, Scott E. Dunn.
D652,460 S	1/2012	Kulzer	U.S. Appl. No. 29/431,158, filed Sep. 4, 2012, Scott E. Dunn.
D652,766 S	1/2012	Dunn	U.S. Appl. No. 29/431,159, filed Sep. 4, 2012, Scott E. Dunn.
D652,767 S	1/2012	Dunn	U.S. Appl. No. 29/431,160, filed Sep. 4, 2012, Scott E. Dunn.
D653,163 S	1/2012	Dunn	U.S. Appl. No. 29/431,161, filed Sep. 4, 2012, Scott E. Dunn.
D653,164 S	1/2012	Dunn	U.S. Appl. No. 29/411,282, Dunn, filed Jan. 19, 2012.
D653,165 S	1/2012	Dunn	U.S. Appl. No. 29/411,283, Dunn, filed Jan. 19, 2012.
D653,166 S	1/2012	Dunn	U.S. Appl. No. 29/411,284, Dunn, filed Jan. 19, 2012.
D653,167 S	1/2012	Dunn	U.S. Appl. No. 29/411,309, Dunn, filed Jan. 19, 2012.
D653,168 S	1/2012	Dunn	U.S. Appl. No. 29/411,315, Dunn, filed Jan. 19, 2012.
D655,887 S	3/2012	Zbuchalski	U.S. Appl. No. 61/439,606, Dunn, filed Feb. 4, 2011.
D656,067 S	3/2012	Dunn	U.S. Appl. No. 29/431,036, Dunn, filed Aug. 31, 2012.
D657,460 S *	4/2012	Uhlenkamp et al. D24/128	U.S. Appl. No. 29/431,030, Dunn, filed Aug. 31, 2012.
D657,869 S *	4/2012	Mammen D24/128	U.S. Appl. No. 29/431,054, Dunn, filed Aug. 31, 2012.
D658,094 S	4/2012	Dunn	U.S. Appl. No. 29/431,049, Dunn, filed Aug. 31, 2012.
D659,324 S *	5/2012	Davis D32/43	U.S. Appl. No. 29/430,979, Dunn, filed Aug. 31, 2012.
D659,589 S	5/2012	Dunn	U.S. Appl. No. 29/431,033, Dunn, filed Aug. 31, 2012.
D659,590 S	5/2012	Dunn	U.S. Appl. No. 29/431,052, Dunn, filed Aug. 31, 2012.
D659,591 S	5/2012	Dunn	U.S. Appl. No. 29/431,158, Dunn, filed Sep. 4, 2012.
D663,237 S	7/2012	Dunn	U.S. Appl. No. 29/431,159, Dunn, filed Sep. 4, 2012.
D663,238 S	7/2012	Dunn	U.S. Appl. No. 29/431,160, Dunn, filed Sep. 4, 2012.
D665,701 S	8/2012	Dunn	U.S. Appl. No. 29/431,161, Dunn, filed Sep. 4, 2012.
D666,124 S	8/2012	Dunn	U.S. Appl. No. 29/431,449, Dunn, filed Sep. 7, 2012.
D666,125 S	8/2012	Dunn	Fiber Network Tools, http://www.fibernetnetworktools.com/catalog2.php , FNT Cables and Assemblies, Accessed Nov. 26, 2010.
D666,937 S	9/2012	Dunn	NELCO Products Incorporated, http://www.nelcoproducts.com , NELCO Blank Flag Tie Markets, Accessed Nov. 26, 2010.
D666,938 S	9/2012	Dunn	Stick'nGo, http://stickngo.com.au , Stick'nGo Cables Label, Accessed Nov. 26, 2010.
D666,939 S	9/2012	Dunn	Sunlec International, http://www.sunlec.com.au , Sunlec International Cable Sleeves, Accessed Nov. 26, 2010.
D666,940 S	9/2012	Dunn	The Cable Label Co., http://www.thecablelabelco.co.uk/buy.php , Buy Cable Bug Labels in Bags, Accessed Nov. 26, 2010.
D667,337 S	9/2012	Dunn	
D667,751 S	9/2012	Dunn	
D668,995 S	10/2012	Dunn	
D669,392 S	10/2012	Dunn	
D670,196 S	11/2012	Dunn	
D670,598 S	11/2012	Dunn	
2008/0285785 A1	11/2008	Zieg	
2009/0277055 A1	11/2009	Madrigal	
2012/0031981 A1	2/2012	Westlake	
2012/0260543 A1	10/2012	Dunn	

OTHER PUBLICATIONS

U.S. Appl. No. 29/394,588, filed Jun. 18, 2011, Scott E. Dunn.

Issue Notification entered by the U.S. Patent and Trademark Office on Sep. 26, 2012 for U.S. Appl. No. 29/411,311, which was filed Jan. 19, 2012 (1 page).

Notice of Allowance entered by the U.S. Patent and Trademark Office on Jun. 29, 2012 for U.S. Appl. No. 29/411,313, which was filed Jan. 19, 2012 (8 pages).

Issue Notification entered by the U.S. Patent and Trademark Office on Oct. 24, 2012 for U.S. Appl. No. 29/411,313, which was filed Jan. 19, 2012 (1 page).

Non-final Office Action entered by the U.S. Patent and Trademark Office on Jun. 22, 2012 for U.S. Appl. No. 29/411,315, which was filed Jan. 19, 2012 (6 pages).

Amendment and Response to Non-final Office Action filed with the U.S. Patent and Trademark Office on Sep. 20, 2012 for U.S. Appl. No. 29/411,315, which was filed Jan. 19, 2012 (4 pages).

Final Office Action entered by the U.S. Patent and Trademark Office on Oct. 22, 2012 for U.S. Appl. No. 29/411,315, which was filed Jan. 19, 2012 (4 pages).

Notice of Allowance entered by the U.S. Patent and Trademark Office on Jun. 21, 2012 for U.S. Appl. No. 29/411,316, which was filed Jan. 19, 2012 (8 pages).

Issue Notification entered by the U.S. Patent and Trademark Office on Oct. 17, 2012 for U.S. Appl. No. 29/411,316, which was filed Jan. 19, 2012 (1 page).

Amendment After Final entered on Mar. 12, 2013 for U.S. Appl. No. 29/411,283, which was filed Jan. 19, 2012 (5 pages).

Amendment After Final entered on Mar. 12, 2013 for U.S. Appl. No. 29/411,284, which was filed Jan. 19, 2012 (5 pages).

Amendment After Final entered on Mar. 12, 2013 for U.S. Appl. No. 29/411,309, which was filed Jan. 19, 2012 (5 pages).

Amendment After Final entered on Mar. 12, 2013 for U.S. Appl. No. 29/411,315, which was filed Jan. 19, 2012 (5 pages).

Notice of Allowance and Fees Due entered on Mar. 1, 2013 for U.S. Appl. No. 29/431,036, which was filed Aug. 31, 2012 (7 pages).

Notice of Allowance and Fees Due entered on Mar. 4, 2013 for U.S. Appl. No. 29/431,030, which was filed Aug. 31, 2012 (7 pages).

Non-Final Office Action entered on Mar. 1, 2013 for U.S. Appl. No. 29/431,054, which was filed Aug. 31, 2012 (5 pages).

Notice of Allowance and Fees Due entered on Mar. 12, 2013 for U.S. Appl. No. 29/431,049, which was filed Aug. 31, 2012 (7 pages).

Notice of Allowance and Fees Due entered on Mar. 6, 2013 for U.S. Appl. No. 29/431,052, which was filed Aug. 31, 2012 (7 pages).

Non-Final Office Action entered Mar. 1, 2013 for U.S. Appl. No. 29/431,159, which was filed Sep. 4, 2012 (5 pages).

Non-Final Office Action entered Mar. 19, 2013 for U.S. Appl. No. 29/431,160, which was filed Sep. 4, 2012 (5 pages).

Non-Final Office Action entered Mar. 1, 2013 for U.S. Appl. No. 29/431,161, which was filed Sep. 4, 2012 (5 pages).

Notice of Allowance and Fees Due entered on Mar. 25, 2013 for U.S. Appl. No. 29/411,284, which was filed Jan. 19, 2012 (6 pages).

Notice of Allowance and Fees Due entered on Mar. 27, 2013 for U.S. Appl. No. 29/411,283, which was filed Jan. 19, 2012 (6 pages).

Notice of Allowance and Fees Due entered on Mar. 26, 2013 for U.S. Appl. No. 29/411,309, which was filed Jan. 19, 2012 (6 pages).

Notice of Allowance and Fees Due entered on Apr. 1, 2013 for U.S. Appl. No. 29/411,315, which was filed Jan. 19, 2012 (6 pages).

Non-Final Office Action entered Mar. 19, 2013 for U.S. Appl. No. 29/431,160, which was filed Sep. 4, 2012 (8 pages).

Amendment After Final entered on Mar. 27, 2013 for U.S. Appl. No. 29/430,979, which was filed Aug. 31, 2012 (3 pages).

* cited by examiner

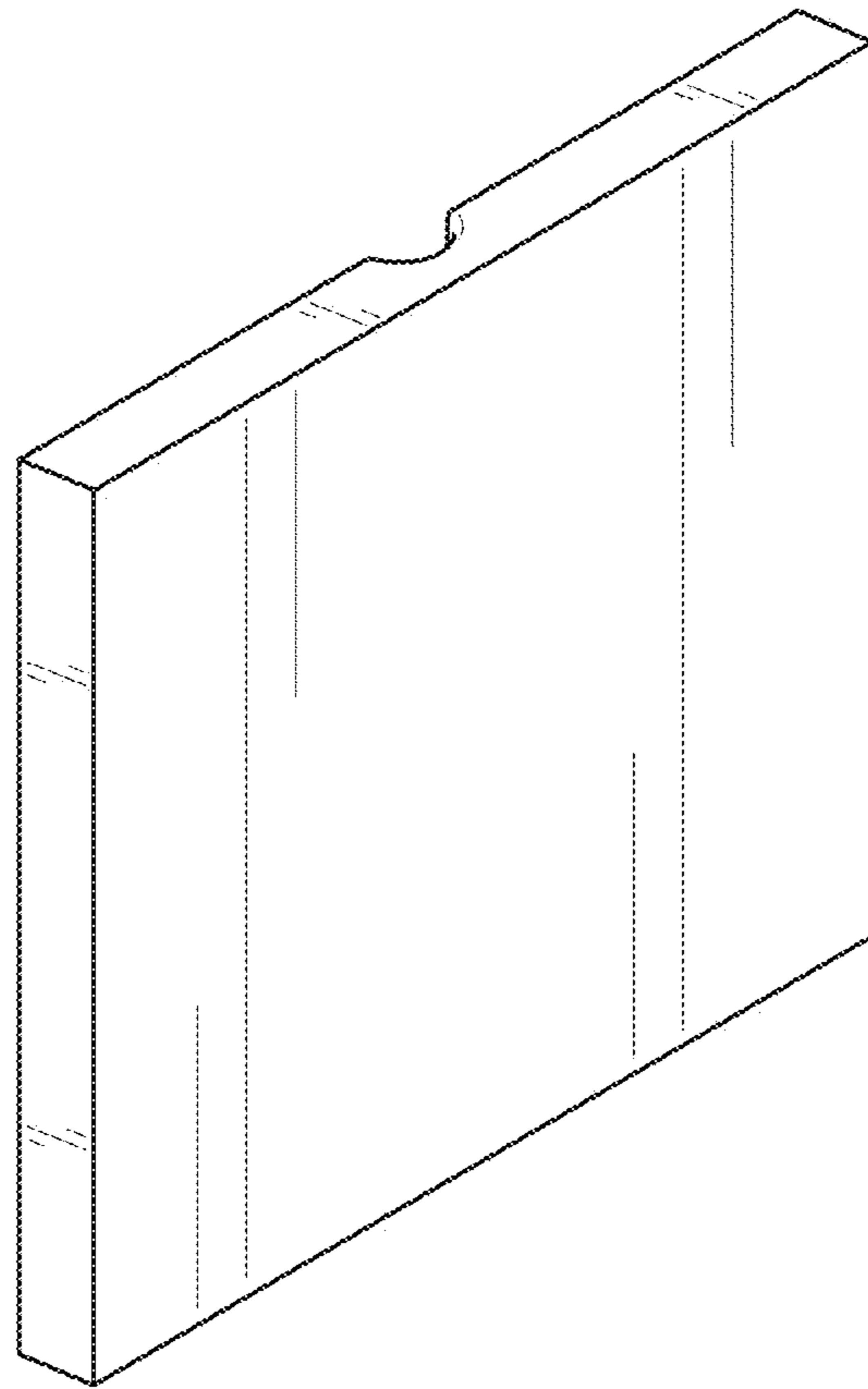


FIG. 1

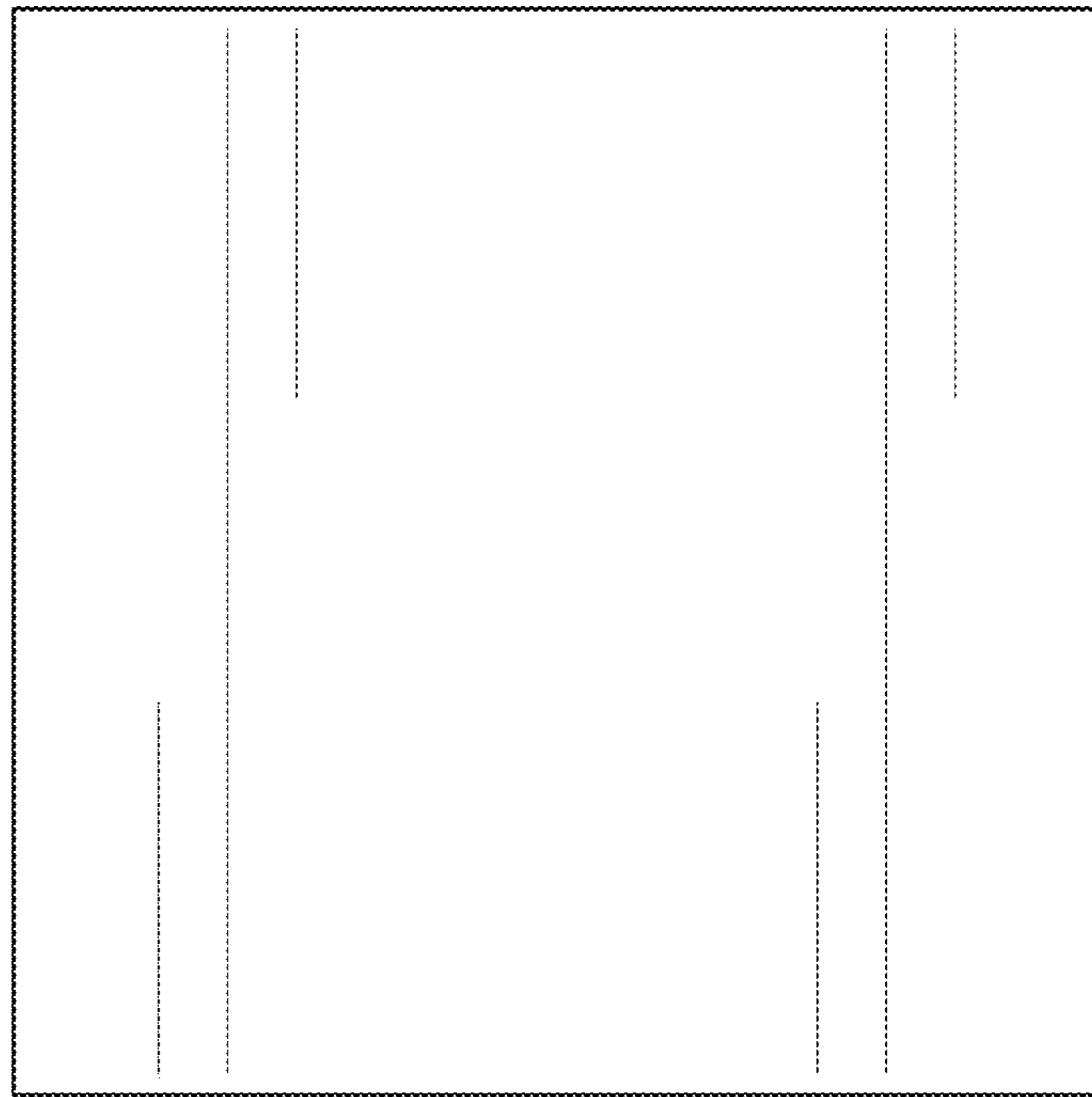


FIG. 2

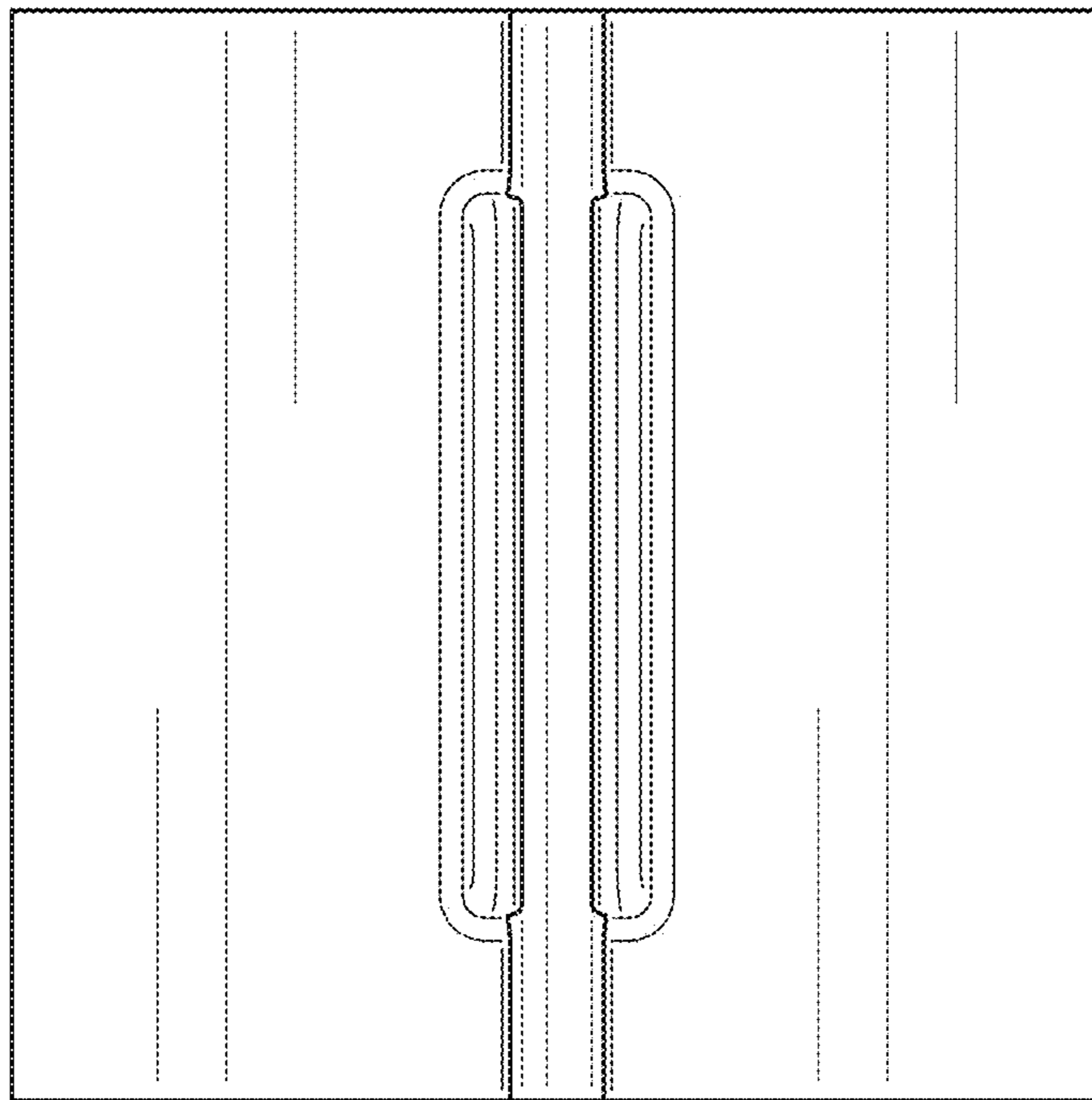


FIG. 3

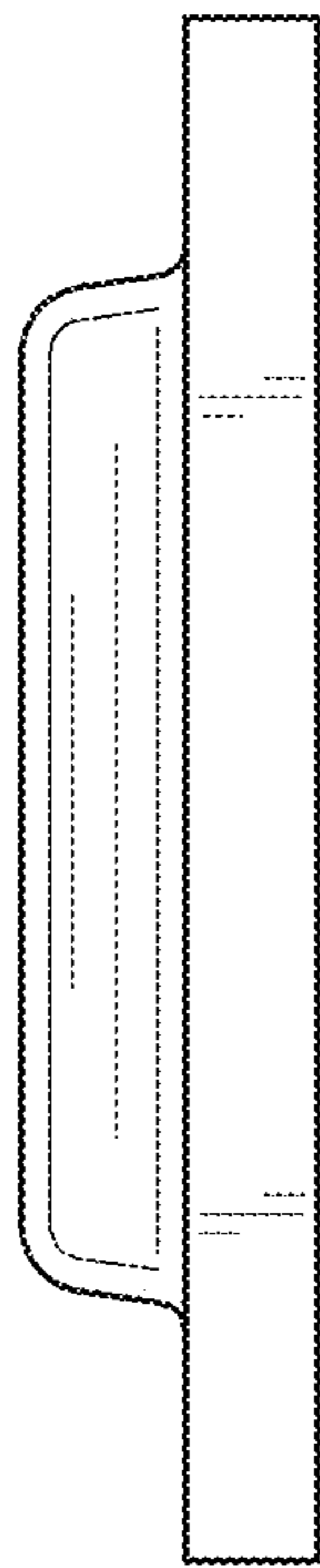


FIG. 4

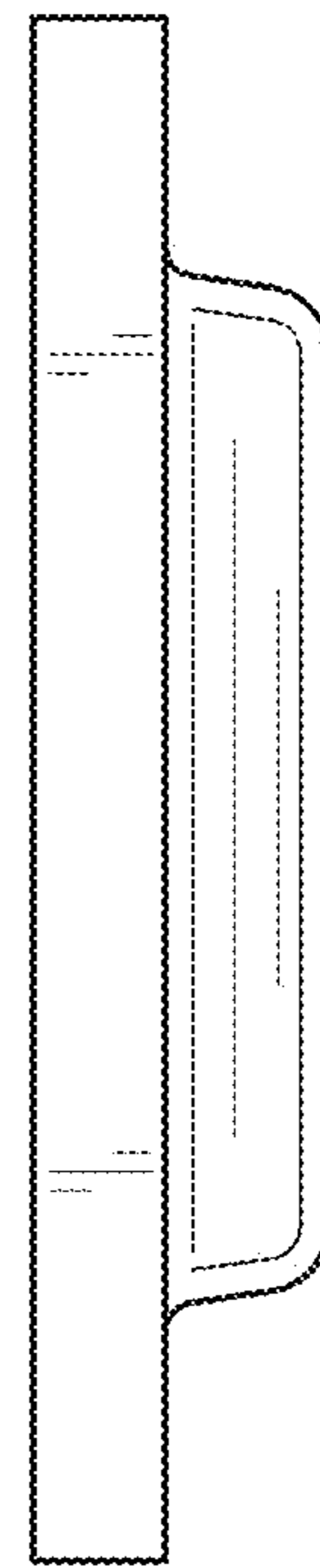


FIG. 5

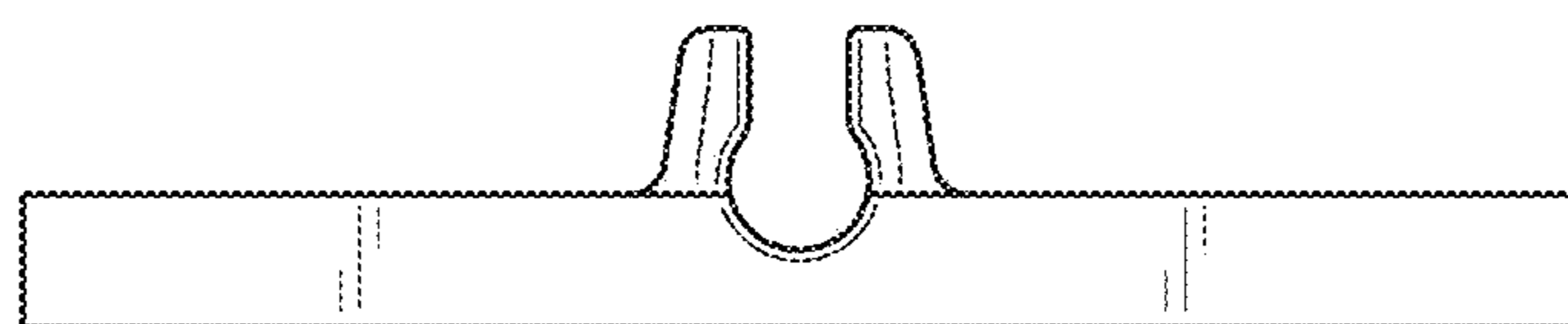


FIG. 6

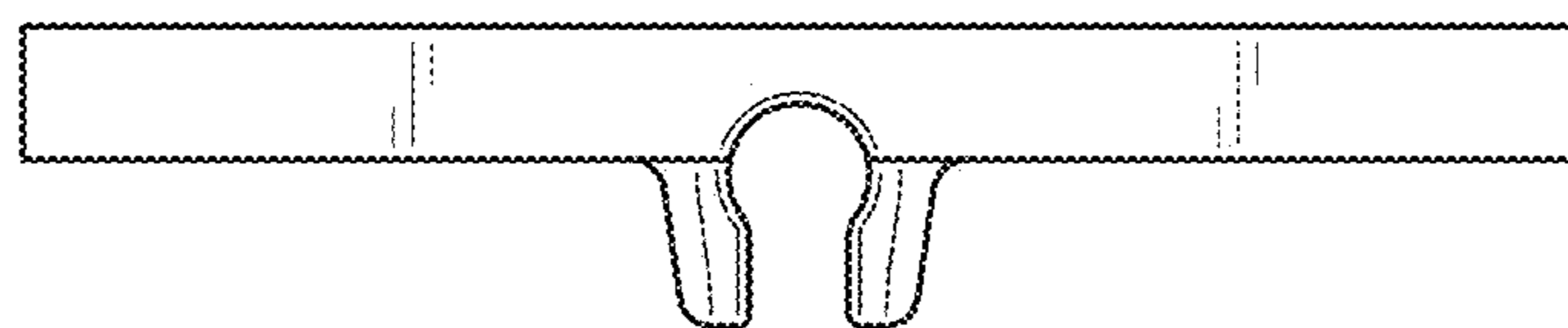


FIG. 7

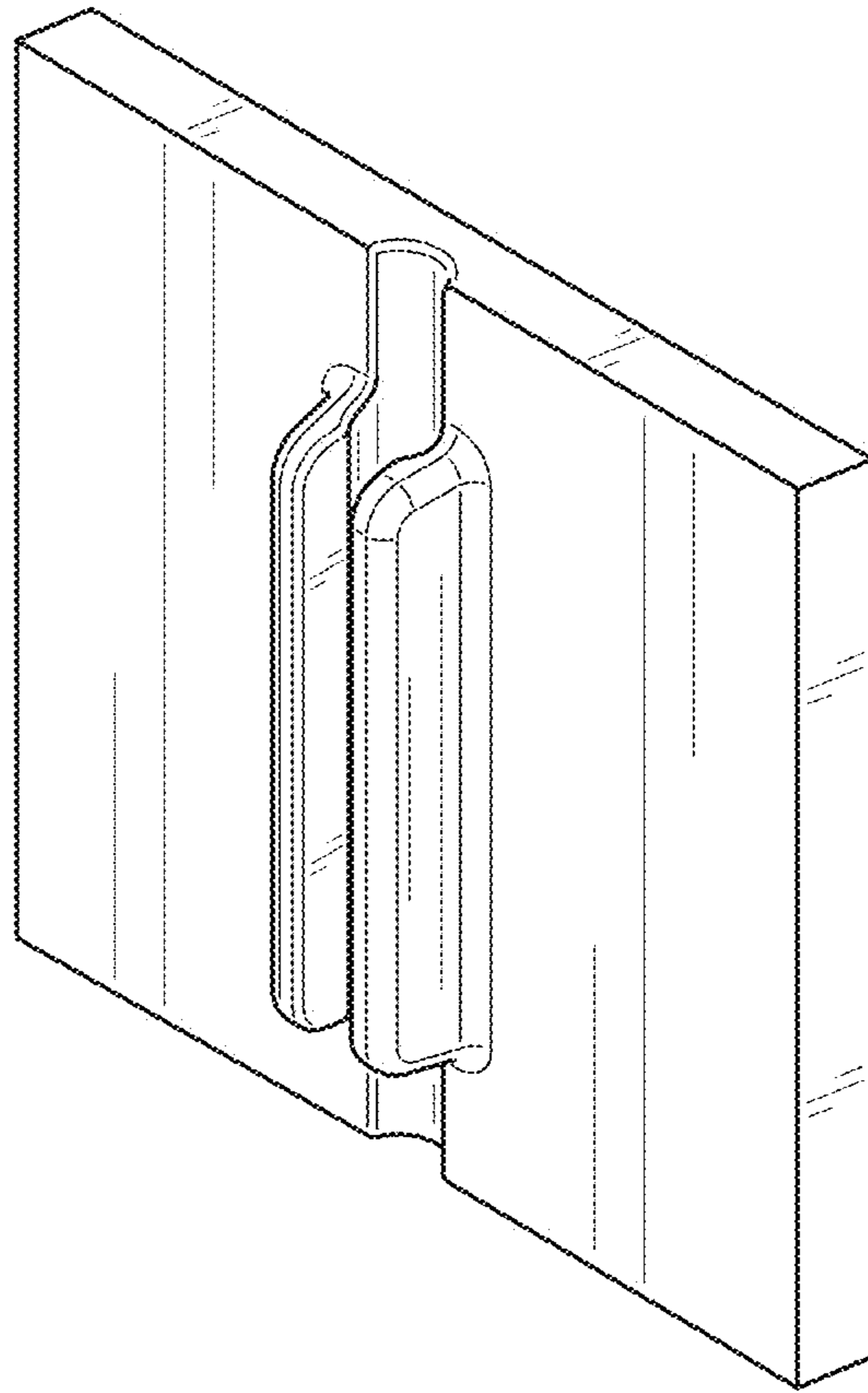


FIG. 8