



US00D688975S

(12) **United States Design Patent**  
**Dunn**

(10) **Patent No.:** **US D688,975 S**

(45) **Date of Patent:** **\*\* \*Sep. 3, 2013**

(54) **CROSS DISPLAY HOLDER FOR A CORD**

(76) Inventor: **Scott Eben Dunn**, Atlanta, GA (US)

(\*) Notice: This patent is subject to a terminal disclaimer.

(\*\*) Term: **14 Years**

(21) Appl. No.: **29/411,283**

(22) Filed: **Jan. 19, 2012**

(51) **LOC (9) Cl.** ..... **11-02**

(52) **U.S. Cl.**  
USPC ..... **D11/184**

(58) **Field of Classification Search**

USPC ..... D11/184; D8/105, 107, 333, 349,  
D8/354, 356, 358, 367, 373, 382, 383, 394-396;  
D23/261; D26/38; 24/197, 561; 174/153 G;  
242/400.1, 405.1, 405.2, 600, 916; 248/65,  
248/74.1-74.4, 214, 215, 229.26, 201, 302,  
248/204, 316.7, 316.8; 439/501; D34/38;  
108/57.52; D20/10, 22-31, 36, 42, 43;  
40/124.13, 312, 316, 358, 368, 369, 584,  
40/591, 593, 596, 607.09, 610, 611.12, 616,  
40/617, 624, 626, 628, 630, 765

See application file for complete search history.

(56) **References Cited**

**U.S. PATENT DOCUMENTS**

168,063 A 9/1875 Taylor  
807,747 A 12/1905 Kling  
1,195,276 A 8/1916 Seaman  
1,337,722 A 4/1920 Porter  
1,388,219 A 8/1921 Thompson  
D67,289 S \* 5/1925 Ladewich ..... D99/23  
1,593,078 A 7/1926 Jacobs  
1,832,318 A 11/1931 Myers  
2,083,431 A 6/1937 Cole  
D133,983 S \* 10/1942 Cruise ..... D11/157  
D137,768 S 4/1944 Lehman et al.  
2,355,154 A \* 8/1944 Goudreau ..... 428/3

D156,622 S 12/1949 Harmon  
2,601,088 A 6/1952 Burgess  
D167,185 S 7/1952 Wendt  
2,611,615 A 9/1952 Watson  
2,616,196 A 11/1952 Sandahl

(Continued)

**FOREIGN PATENT DOCUMENTS**

WO WO-2010132567 A1 11/2010

**OTHER PUBLICATIONS**

U.S. Appl. No. 61/439,606, Dunn.

U.S. Appl. No. 13/367,352, Dunn.

(Continued)

*Primary Examiner* — T. Chase Nelson

*Assistant Examiner* — Michelle E Wilson

(74) *Attorney, Agent, or Firm* — Ballard Spahr LLP

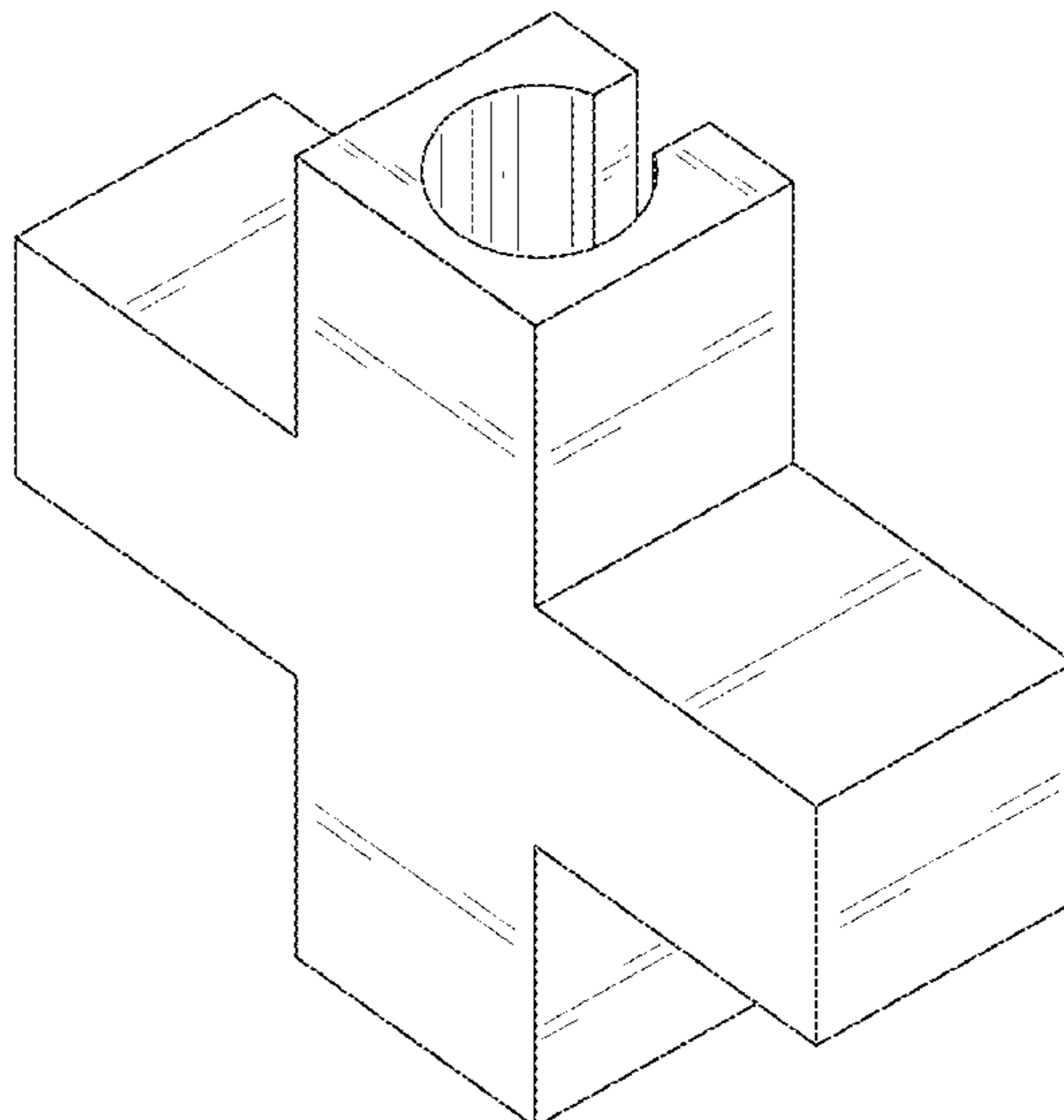
(57) **CLAIM**

The ornamental design for a cross display holder for a cord, as shown and described.

**DESCRIPTION**

FIG. 1 is a perspective view of an embodiment of a cross display holder for a cord of the present invention; FIG. 2 is a front elevational view of the cross display holder for a cord of FIG. 1; FIG. 3 is a rear elevational view of the cross display holder for a cord of FIG. 1; FIG. 4 is a left side elevational view of the cross display holder for a cord of FIG. 1; FIG. 5 is a right side elevational view of the cross display holder for a cord of FIG. 1; FIG. 6 is a top plan view of the cross display holder for a cord of FIG. 1; and, FIG. 7 is a bottom plan view of the cross display holder for a cord of FIG. 1.

**1 Claim, 5 Drawing Sheets**



(56)

References Cited

U.S. PATENT DOCUMENTS

2,786,983 A	3/1957	Hill	5,929,384 A	7/1999	Ide et al.	
3,203,700 A	8/1965	Antonious	5,933,995 A	8/1999	Gorbach	
3,228,640 A	1/1966	Wolsh	5,934,509 A	8/1999	Niss	
3,322,381 A	5/1967	Bubb	D413,544 S	9/1999	Steinberg	
3,519,731 A	7/1970	Grunbaum	5,971,436 A	10/1999	Cox	
3,576,304 A	4/1971	Gillemot et al.	5,979,028 A	11/1999	Hicks et al.	
3,696,920 A	10/1972	Lahay	D421,773 S *	3/2000	Yashar .....	D20/42
3,766,854 A	10/1973	Scarlet	6,087,589 A	7/2000	Ide	
3,772,809 A	11/1973	Schneller	6,120,565 A	9/2000	Dix et al.	
3,788,269 A	1/1974	Scarlet	D436,518 S	1/2001	Matsubara	
D235,023 S	4/1975	Swayze	D438,624 S	3/2001	Reina	
4,004,362 A	1/1977	Barbieri	D438,788 S	3/2001	Rigel	
4,011,673 A	3/1977	Levine	6,226,865 B1	5/2001	Tanikawa et al.	
4,103,949 A	8/1978	Bouloy	D446,676 S	8/2001	Mayes	
4,131,226 A	12/1978	Breiter et al.	D446,903 S	8/2001	Pavan	
4,177,750 A	12/1979	Scarlet	6,269,573 B1	8/2001	Najmi	
4,198,202 A	4/1980	Kleber	D448,276 S	9/2001	Kelleghan	
D256,398 S *	8/1980	Mitchell .....	6,301,756 B1	10/2001	Howard	
4,261,121 A	4/1981	Coon	D449,981 S	11/2001	Davis	
4,294,895 A	10/1981	Atkins	D452,135 S	12/2001	Wyatt et al.	
D266,054 S	9/1982	Goodman	6,332,247 B1	12/2001	Hsieh	
4,398,444 A	8/1983	Walker	D454,244 S	3/2002	Scheff	
D270,525 S	9/1983	Bayusik	D454,971 S	3/2002	Crosby	
D275,174 S	8/1984	Rolli	D455,145 S	4/2002	Williams	
4,464,834 A	8/1984	Simms	D456,016 S	4/2002	Denson	
D280,393 S	9/1985	Lee	D456,389 S	4/2002	Denson	
D280,394 S	9/1985	Lee	D456,692 S	5/2002	Epstein	
4,539,767 A	9/1985	Jaffe	D457,157 S	5/2002	Best	
D285,044 S	8/1986	Mockett	6,381,840 B2	5/2002	Ide	
D289,138 S	4/1987	Nead	6,392,147 B1	5/2002	Hier et al.	
4,656,767 A	4/1987	Tarrant	D459,194 S	6/2002	Johansson et al.	
D289,732 S	5/1987	Jason	6,409,131 B1	6/2002	Bentley et al.	
D293,766 S	1/1988	Lamb	D460,350 S	7/2002	Davis	
4,738,817 A	4/1988	Wittwer et al.	6,430,782 B1	8/2002	Torres et al.	
4,821,988 A	4/1989	Jimenez	D465,993 S	11/2002	Kelleghan	
4,856,214 A	8/1989	Machen	6,490,789 B1	12/2002	Ide	
D305,254 S	12/1989	Bateman et al.	6,497,063 B1	12/2002	Stephens	
D308,011 S	5/1990	Norris	D477,772 S	7/2003	Nezu	
D314,529 S	2/1991	Willard	6,598,558 B2	7/2003	Griffin	
D317,171 S	5/1991	Saks	6,634,528 B2	10/2003	Hurtgam	
D321,913 S *	11/1991	Wolff .....	D481,649 S	11/2003	Samuels	
D325,400 S *	4/1992	Wolff .....	D482,391 S	11/2003	Hui	
5,122,068 A	6/1992	Koss	6,651,362 B2	11/2003	Caveney	
5,161,799 A	11/1992	Nandra	6,657,126 B2	12/2003	Ide et al.	
5,203,129 A	4/1993	Johnson	6,662,445 B2	12/2003	Tanikawa et al.	
5,207,174 A	5/1993	Fabbrini	D485,783 S	1/2004	Youngman	
5,209,992 A	5/1993	Feres	D486,926 S	2/2004	Yuen	
D336,131 S	6/1993	Nordstrom et al.	D490,692 S	6/2004	Williams	
D340,038 S	10/1993	Venne et al.	D491,836 S	6/2004	Haimoff	
D356,350 S	3/1995	Berggreen	D492,800 S	7/2004	Yuen	
D358,615 S	5/1995	Cline	D494,087 S	8/2004	Lax	
D364,201 S	11/1995	Jensen	D494,090 S	8/2004	Lax	
D365,781 S *	1/1996	Osborn .....	D494,091 S	8/2004	Lax	
5,479,735 A	1/1996	Martin, Jr.	D494,092 S	8/2004	Lax	
D369,042 S	4/1996	Kinart	D494,093 S	8/2004	Lax	
D369,758 S	5/1996	Remidio	6,844,499 B2	1/2005	Ide et al.	
5,536,096 A	7/1996	Nowak	D502,122 S	2/2005	Lax	
5,537,042 A	7/1996	Beutler et al.	6,858,804 B2	2/2005	Murakami et al.	
5,584,122 A	12/1996	Kato et al.	D505,091 S	5/2005	Youngman	
5,657,198 A	8/1997	Flener	D505,356 S	5/2005	Ho	
5,669,191 A	9/1997	Weaver	D507,508 S	7/2005	Brownell	
D388,833 S *	1/1998	Wilson .....	6,940,020 B2	9/2005	Ide et al.	
5,712,767 A	1/1998	Koizumi	D511,709 S	11/2005	Mehta	
D390,066 S	2/1998	Watkins et al.	D511,987 S	11/2005	Swarovski	
D393,345 S	4/1998	Clegg et al.	D511,989 S	11/2005	Pereira De Castro et al.	
5,740,622 A	4/1998	Martin	D512,934 S	12/2005	Voorn	
D396,146 S	7/1998	Blue	D514,978 S	2/2006	Lakhi	
D401,883 S	12/1998	Madhvani	D520,676 S	5/2006	Chen	
5,845,883 A	12/1998	Meyer	D521,409 S	5/2006	De Castro et al.	
5,869,784 A	2/1999	Shinchi	7,073,282 B2	7/2006	Savagian et al.	
D407,453 S *	3/1999	Rashman .....	7,111,812 B2	9/2006	Shannon et al.	
5,887,368 A	3/1999	Rupp	D529,557 S	10/2006	Greenwald	
D412,136 S	7/1999	Namdar et al.	D534,594 S	1/2007	Revere	
5,922,993 A	7/1999	Ide et al.	D535,907 S	1/2007	Sevdermish	
5,925,202 A	7/1999	Ide et al.	D538,351 S *	3/2007	Strong et al. ....	D20/27
			D542,123 S	5/2007	Symons	
			D548,057 S	8/2007	Kelleghan	
			D563,157 S	3/2008	Bouveret et al.	
			D563,616 S	3/2008	Lynde et al.	

D563,828 S	*	3/2008	Meijer	.....	D11/163
D568,723 S		5/2008	Morgan		
D572,126 S		7/2008	Tomaka		
D572,165 S		7/2008	Lichtenstein		
D578,163 S		10/2008	Chou		
D578,275 S	*	10/2008	Shantz et al.	.....	D99/17
D585,196 S		1/2009	Bundrick		
D587,162 S		2/2009	Baker		
D587,163 S		2/2009	Baker		
D587,164 S		2/2009	Baker		
D587,623 S		3/2009	Baker		
D587,624 S		3/2009	Baker		
D589,328 S		3/2009	Edge		
7,509,765 B2		3/2009	Flores		
D590,676 S		4/2009	Pickard		
D590,885 S		4/2009	Love		
D592,540 S		5/2009	Rydlawicz		
D599,246 S		9/2009	Rudes		
D609,951 S		2/2010	Walker		
D610,482 S		2/2010	Shaw		
7,687,999 B2		3/2010	Essick et al.		
D618,985 S		7/2010	Sjoqvist		
D626,880 S		11/2010	Castaline et al.		
D629,286 S		12/2010	Laskowski		
D629,671 S		12/2010	Ohori et al.		
D635,485 S		4/2011	Schanzer		
D639,408 S		6/2011	Newman		
D639,700 S		6/2011	Adams et al.		
D644,150 S		8/2011	Edick		
D644,501 S		9/2011	Chen		
D645,345 S		9/2011	Liebowitz et al.		
D646,730 S		10/2011	Burch		
D652,460 S		1/2012	Kulzer		
D652,766 S		1/2012	Dunn		
D652,767 S		1/2012	Dunn		
D653,163 S		1/2012	Dunn		
D653,164 S		1/2012	Dunn		
D653,165 S		1/2012	Dunn		
D653,166 S		1/2012	Dunn		
D653,167 S		1/2012	Dunn		
D653,168 S		1/2012	Dunn		
D655,887 S		3/2012	Zbuchalski		
D656,067 S		3/2012	Dunn		
2008/0285785 A1		11/2008	Zieg et al.		
2012/0031981 A1		2/2012	Westlake et al.		

OTHER PUBLICATIONS

U.S. Appl. No. 29/394,588, Dunn.  
 U.S. Appl. No. 29/394,592, Dunn.  
 U.S. Appl. No. 29/394,596, Dunn.  
 U.S. Appl. No. 29/394,597, Dunn.  
 U.S. Appl. No. 29/411,284, Dunn.  
 U.S. Appl. No. 29/411,285, Dunn.  
 U.S. Appl. No. 29/411,286, Dunn.  
 U.S. Appl. No. 29/411,288, Dunn.  
 U.S. Appl. No. 29/411,291, Dunn.  
 U.S. Appl. No. 29/411,293, Dunn.  
 U.S. Appl. No. 29/411,295, Dunn.  
 U.S. Appl. No. 29/411,296, Dunn.  
 U.S. Appl. No. 29/411,297, Dunn.  
 U.S. Appl. No. 29/411,298, Dunn.  
 U.S. Appl. No. 29/411,300, Dunn.  
 U.S. Appl. No. 29/411,302, Dunn.  
 U.S. Appl. No. 29/411,309, filed Jan. 19, 2012, Dunn.  
 U.S. Appl. No. 29/411,311, filed Jan. 19, 2012, Dunn.  
 U.S. Appl. NO. 29/411,313, filed Jan. 19, 2012, Dunn.  
 U.S. Appl. No. 29/411,315, filed Jan. 19, 2012, Dunn.  
 U.S. Appl. No. 29/411,316, filed Jan. 19, 2012, Dunn.  
 U.S. Appl. No. 29/411,277, Dunn.  
 U.S. Appl. No. 29/411,282, Dunn.  
 Specification, Claims, and Drawings entered by the U.S. Patent and Trademark Office on Feb. 4, 2011 for U.S. Appl. No. 61/439,606, filed Feb. 4, 2011 (First Named Inventor—Dunn) (21 pages).  
 Specification, Claims, and Drawings entered by the U.S. Patent and Trademark Office on Feb. 6, 2012 for U.S. Appl. No. 13/367,352, filed Feb. 6, 2012 (First Named Inventor—Dunn) (28 pages).

Specification, Claims, and Drawings entered by the U.S. Patent and Trademark Office on Jun. 18, 2011 for U.S. Appl. No. 29/394,588, filed Jun. 18, 2011 (First Named Inventor—Dunn) (34 pages).  
 Requirement for Restriction/Election entered by the U.S. Patent and Trademark Office on Sep. 21, 2011 for U.S. Appl. No. 29/394,588, filed Jun. 18, 2011 (First Named Inventor—Dunn) (5 pages).  
 Response to Election / Restriction Filed entered by the U.S. Patent and Trademark Office on Nov. 21, 2011 for U.S. Appl. No. 29/394,588, filed Jun. 18, 2011 (First Named Inventor—Dunn) (2 pages).  
 Notice of Allowance and Fees Due entered by the U.S. Patent and Trademark Office on Jan. 6, 2012 for U.S. Appl. No. 29/394,588, filed Jun. 18, 2011 (First Named Inventor—Dunn) (8 pages).  
 Specification, Claims, and Drawings entered by the U.S. Patent and Trademark Office on Jun. 18, 2011 for U.S. Appl. No. 29/394,589, filed Jun. 18, 2011 (First Named Inventor—Dunn) (12 pages).  
 Notice of Allowance and Fees Due entered by the U.S. Patent and Trademark Office on Sep. 20, 2011 for U.S. Appl. No. 29/394,589, filed Jun. 18, 2011 (First Named Inventor—Dunn) (7 pages).  
 Supplemental Notice of Allowability entered by the U.S. Patent and Trademark Office on Nov. 14, 2011 for U.S. Appl. No. 29/394,589, filed Jun. 18, 2011 (First Named Inventor—Dunn) (4 pages).  
 Issue Notification entered by the U.S. Patent and Trademark Office on Jan. 11, 2012 for U.S. Appl. No. 29/394,589, filed Jun. 18, 2011 (First Named Inventor—Dunn) (1 page).  
 Specification, Claims, and Drawings entered by the U.S. Patent and Trademark Office on Jun. 18, 2011 for U.S. Appl. No. 29/394,590, filed Jun. 18, 2011 (First Named Inventor—Dunn) (14 pages).  
 Notice of Allowance and Fees Due entered by the U.S. Patent and Trademark Office on Sep. 23, 2011 for U.S. Appl. No. 29/394,590, filed Jun. 18, 2011 (First Named Inventor—Dunn) (7 pages).  
 Supplemental Notice of Allowability entered by the U.S. Patent and Trademark Office on Oct. 25, 2011 for U.S. Appl. No. 29/394,590, filed Jun. 18, 2011 (First Named Inventor—Dunn) (2 pages).  
 Issue Notification entered by the U.S. Patent and Trademark Office on Jan. 4, 2012 for U.S. Appl. No. 29/394,590, filed Jun. 18, 2011 (First Named Inventor—Dunn) (1 page).  
 Specification, Claims, and Drawings entered by the U.S. Patent and Trademark Office on Jun. 18, 2011 for U.S. Appl. No. 29/394,591, filed Jun. 18, 2011 (First Named Inventor—Dunn) (10 pages).  
 Notice of Allowance and Fees Due entered by the U.S. Patent and Trademark Office on Sep. 19, 2011 for U.S. Appl. No. 29/394,591, filed Jun. 18, 2011 (First Named Inventor—Dunn) (7 pages).  
 Supplemental Notice of Allowability entered by the U.S. Patent and Trademark Office on Oct. 12, 2011 for U.S. Appl. No. 29/394,591, filed Jun. 18, 2011 (First Named Inventor—Dunn) (2 pages).  
 Issue Notification entered by the U.S. Patent and Trademark Office on Jan. 11, 2012 for U.S. Appl. No. 29/394,591, filed Jun. 18, 2011 (First Named Inventor—Dunn) (1 page).  
 Specification, Claims, and Drawings entered by the U.S. Patent and Trademark Office on Jun. 18, 2011 for U.S. Appl. No. 29/394,592, filed Jun. 18, 2011 (First Named Inventor—Dunn) (18 pages).  
 Requirement for Restriction/Election entered by the U.S. Patent and Trademark Office on Sep. 22, 2011 for U.S. Appl. No. 29/394,592, filed Jun. 18, 2011 (First Named Inventor—Dunn) (5 pages).  
 Response to Restriction Requirement entered by the U.S. Patent and Trademark Office on Oct. 27, 2011 for U.S. Appl. No. 29/394,592, filed Jun. 18, 2011 (First Named Inventor—Dunn) (2 pages).  
 Notice of Allowance and Fees Due entered by the U.S. Patent and Trademark Office on Dec. 20, 2011 for U.S. Appl. No. 29/394,592, filed Jun. 18, 2011 (First Named Inventor—Dunn) (9 pages).  
 Specification, Claims, and Drawings entered by the U.S. Patent and Trademark Office on Jun. 18, 2011 for U.S. Appl. No. 29/394,593, filed Jun. 18, 2011 (First Named Inventor—Dunn) (12 pages).  
 Notice of Allowance and Fees Due entered by the U.S. Patent and Trademark Office on Sep. 20, 2011 for U.S. Appl. No. 29/394,593, filed Jun. 18, 2011 (First Named Inventor—Dunn) (7 pages).  
 Supplemental Notice of Allowability entered by the U.S. Patent and Trademark Office on Oct. 12, 2011 for U.S. Appl. No. 29/394,593, filed Jun. 18, 2011 (First Named Inventor—Dunn) (2 pages).  
 Issue Notification entered by the U.S. Patent and Trademark Office on Jan. 11, 2012 for U.S. Appl. No. 29/394,593, filed Jun. 18, 2011 (First Named Inventor—Dunn) (1 page).



Specification, Claims, and Drawings entered by the U.S. Patent and Trademark Office on Jan. 19, 2012 for U.S. Appl. No. 29/411,315, filed Jan. 19, 2012 (First Named Inventor—Dunn) (8 pages).

Specification, Claims, and Drawings entered by the U.S. Patent and Trademark Office on Jan. 19, 2012 for U.S. Appl. No. 29/411,316, filed Jan. 19, 2012 (First Named Inventor—Dunn) (8 pages).

Stick'nGo, <http://stickngo.com.au>, Stick'nGo Cables Label, Accessed Nov. 26, 2010.

Fiber Network Tools, <http://www.fibernetnetworktools.com/catalog2.php>, FNT Cables and Assemblies, Accessed Nov. 26, 2010.

Nelco Products Incorporated, <http://www.nelcoproducts.com>, Nelco Blank Flag Tie Markets, Accessed Nov. 26, 2010.

Sunlec International, <http://www.sunlec.com.au>, Sunlec International Cable Sleeves, Accessed Nov. 26, 2010.

The Cable Label Co., <http://www.thecablelabelco.co.uk/buy.php>, Buy Cable Bug Labels in Bags, Accessed Nov. 26, 2010.

The Storage Store, <http://www.thestoragelabel.com>, Computer Cable Flags, Accessed Nov. 26, 2010.

Non-final Office Action entered by the U.S. Patent and Trademark Office on Mar. 26, 2012 for U.S. Appl. No. 29/411,284, filed Jan. 19, 2012 (First Named Inventor—Dunn) (5 pages).

Notice of Allowance entered by the U.S. Patent and Trademark Office on Apr. 9, 2012 for U.S. Appl. No. 29/411,285, filed Jan. 19, 2012 (First Named Inventor—Dunn) (7 pages).

Notice of Allowance entered by the U.S. Patent and Trademark Office on Apr. 4, 2012 for U.S. Appl. No. 29/411,291, filed Jan. 19, 2012 (First Named Inventor—Dunn) (7 pages).

Notice of Allowance entered by the U.S. Patent and Trademark Office on Apr. 4, 2012 for U.S. Appl. No. 29/411,293, filed Jan. 19, 2012 (First Named Inventor—Dunn) (7 pages).

Notice of Allowance entered by the U.S. Patent and Trademark Office on Apr. 4, 2012 for U.S. Appl. No. 29/411,295, filed Jan. 19, 2012 (First Named Inventor—Dunn) (7 pages).

Notice of Allowance entered by the U.S. Patent and Trademark Office on Apr. 2, 2012 for U.S. Appl. No. 29/411,298, filed Jan. 19, 2012 (First Named Inventor—Dunn) (7 pages).

Notice of Allowance entered by the U.S. Patent and Trademark Office on Apr. 2, 2012 for U.S. Appl. No. 29/411,300, filed Jan. 19, 2012 (First Named Inventor—Dunn) (7 pages).

Office Action entered by the U.S. Patent and Trademark Office on Mar. 30, 2012 for U.S. Appl. No. 29/411,309, filed Jan. 19, 2012 (First Named Inventor—Dunn) (6 pages).

Notice of Allowance entered by the U.S. Patent and Trademark Office on Apr. 4, 2012 for U.S. Appl. No. 29/411,311, filed Jan. 19, 2012 (First Named Inventor—Dunn) (7 pages).

Specification, Claims, and Drawings entered by the U.S. Patent and Trademark Office on Jan. 19, 2012 for U.S. Appl. No. 29/411,277, filed Jan. 19, 2012 (First Named Inventor—Dunn) (7 pages).

Notice of Allowance and Fees Due entered by the U.S. Patent and Trademark Office on Mar. 2, 2012 for U.S. Appl. No. 29/411,277, filed Jan. 19, 2012 (First Named Inventor—Dunn) (7 pages).

Specification, Claims, and Drawings entered by the U.S. Patent and Trademark Office on Jan. 19, 2012 for U.S. Appl. No. 29/411,282, filed Jan. 19, 2012 (First Named Inventor—Dunn) (8 pages).

U.S. Appl. No. 29/394,588, filed Jun. 18, 2011, Scott E. Dunn.

U.S. Appl. No. 29/394,589, filed Jun. 18, 2011, Scott E. Dunn.

U.S. Appl. No. 29/394,590, filed Jun. 18, 2011, Scott E. Dunn.

U.S. Appl. No. 29/394,591, filed Jun. 18, 2011, Scott E. Dunn.

U.S. Appl. No. 29/394,592, filed Jun. 18, 2011, Scott E. Dunn.

U.S. Appl. No. 29/394,593, filed Jun. 18, 2011, Scott E. Dunn.

U.S. Appl. No. 29/394,594, filed Jun. 18, 2011, Scott E. Dunn.

U.S. Appl. No. 29/394,595, filed Jun. 18, 2011, Scott E. Dunn.

U.S. Appl. No. 29/394,596, filed Jun. 18, 2011, Scott E. Dunn.

U.S. Appl. No. 29/394,597, filed Jun. 18, 2011, Scott E. Dunn.

U.S. Appl. No. 29/394,598, filed Jun. 18, 2011, Scott E. Dunn.

U.S. Appl. No. 29/394,599, filed Jun. 18, 2011, Scott E. Dunn.

U.S. Appl. No. 29/394,600, filed Jun. 18, 2011, Scott E. Dunn.

U.S. Appl. No. 29/411,277, filed Jan. 19, 2012, Scott E. Dunn.

U.S. Appl. No. 29/411,282, filed Jan. 19, 2012, Scott E. Dunn.

U.S. Appl. No. 29/411,284, filed Jan. 19, 2012, Scott E. Dunn.

U.S. Appl. No. 29/411,285, filed Jan. 19, 2012, Scott E. Dunn.

U.S. Appl. No. 29/411,286, filed Jan. 19, 2012, Scott E. Dunn.

U.S. Appl. No. 29/411,288, filed Jan. 19, 2012, Scott E. Dunn.

U.S. Appl. No. 29/411,291, filed Jan. 19, 2012, Scott E. Dunn.

U.S. Appl. No. 29/411,293, filed Jan. 19, 2012, Scott E. Dunn.

U.S. Appl. No. 29/411,295, filed Jan. 19, 2012, Scott E. Dunn.

U.S. Appl. No. 29/411,296, filed Jan. 19, 2012, Scott E. Dunn.

U.S. Appl. No. 29/411,297, filed Jan. 19, 2012, Scott E. Dunn.

U.S. Appl. No. 29/411,298, filed Jan. 19, 2012, Scott E. Dunn.

U.S. Appl. No. 29/411,300, filed Jan. 19, 2012, Scott E. Dunn.

U.S. Appl. No. 29/411,302, filed Jan. 19, 2012, Scott E. Dunn.

U.S. Appl. No. 29/411,309, filed Jan. 19, 2012, Scott E. Dunn.

U.S. Appl. No. 29/411,311, filed Jan. 19, 2012, Scott E. Dunn.

U.S. Appl. No. 29/411,313, filed Jan. 19, 2012, Scott E. Dunn.

U.S. Appl. No. 29/411,315, filed Jan. 19, 2012, Scott E. Dunn.

U.S. Appl. No. 29/411,316, filed Jan. 19, 2012, Scott E. Dunn.

Notice of Allowance and Fees Due entered on Mar. 25, 2013 for U.S. Appl. No. 29/411,284, filed Jan. 19, 2012. (6 pages).

Notice of Allowance and Fees Due entered on Mar. 26, 2013 for U.S. Appl. No. 29/411,309, filed Jan. 19, 2012 (6 pages).

Notice of Allowance and Fees Due entered on Apr. 1, 2013 for U.S. Appl. No. 29/411,315, filed Jan. 19, 2012 (6 pages).

Non-Final Office Action entered Mar. 19, 2013 for U.S. Appl. No. 29/431,160, filed Sep. 4, 2012 (8 pages).

Amendment After Final entered on Mar. 27, 2013 for U.S. Appl. No. 29/430,979, filed Aug. 31, 2012 (3 pages).

Amendment After Final entered on Mar. 27, 2013 for U.S. Appl. No. 29/431,031, filed Aug. 31, 2012 (3 pages).

Supplemental Notice of Allowability entered on May 20, 2013 for U.S. Appl. No. 29/431,031, filed Aug. 31, 2012 (2 pages).

\* cited by examiner

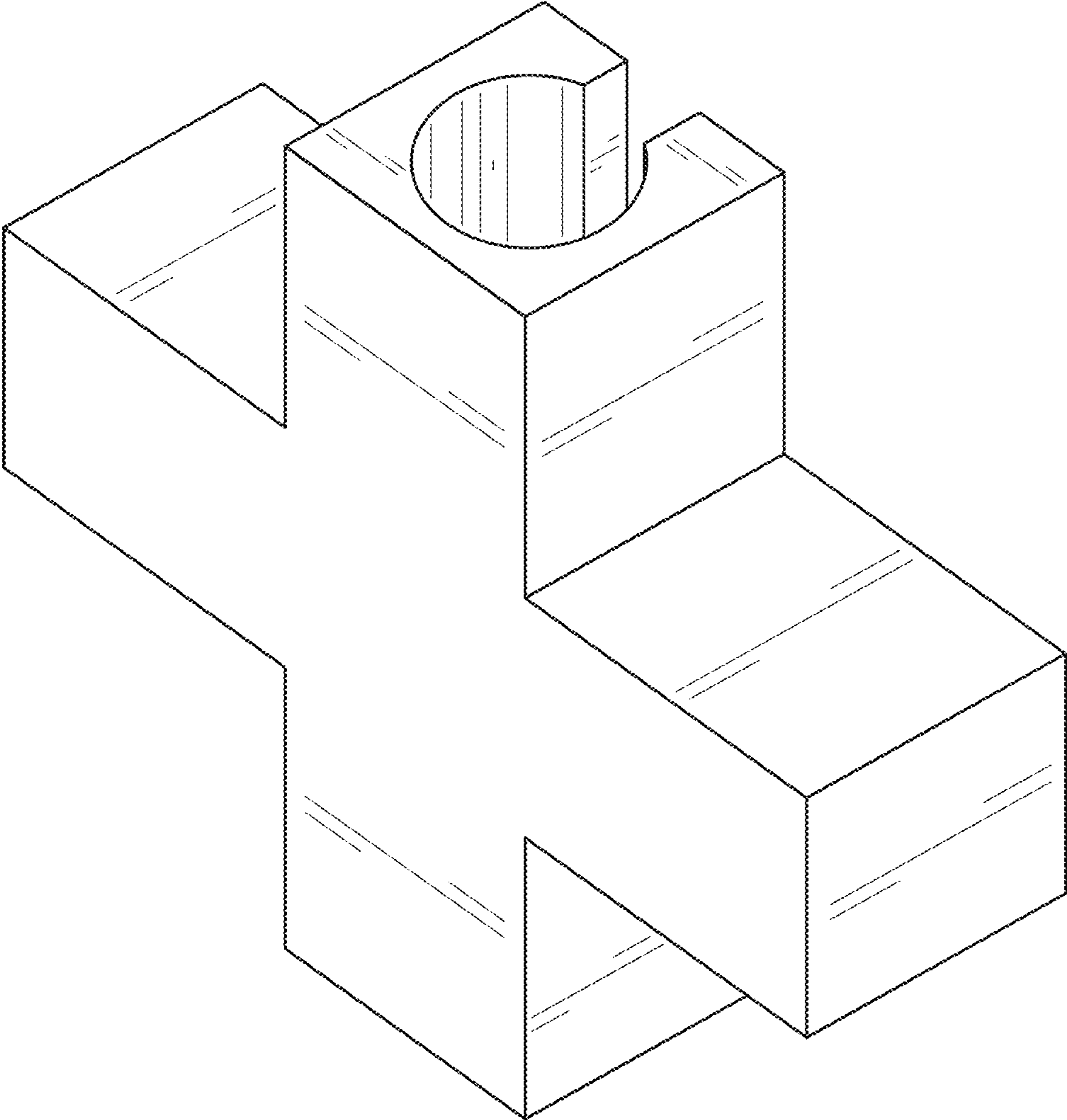


FIG. 1

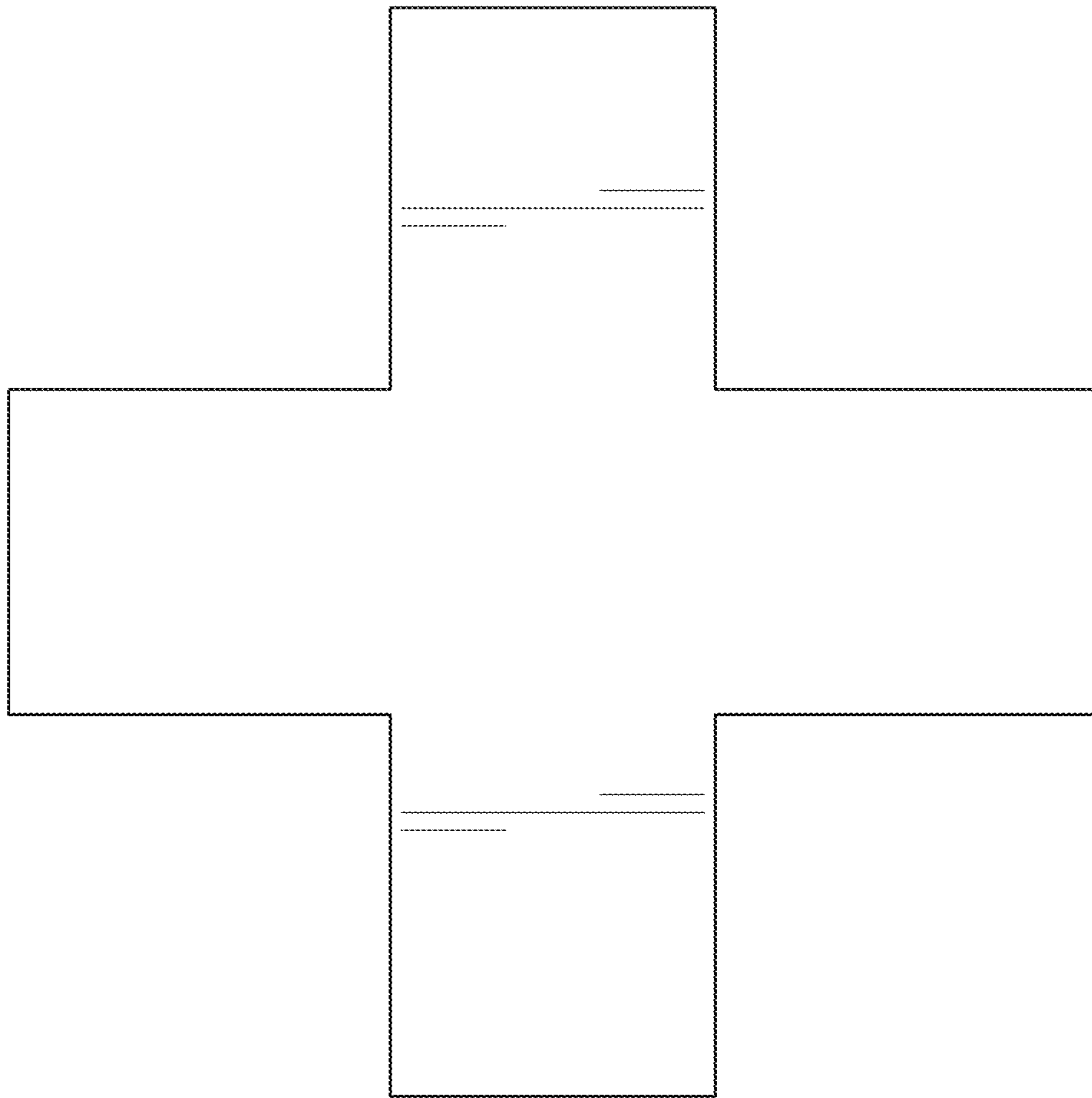


FIG. 2

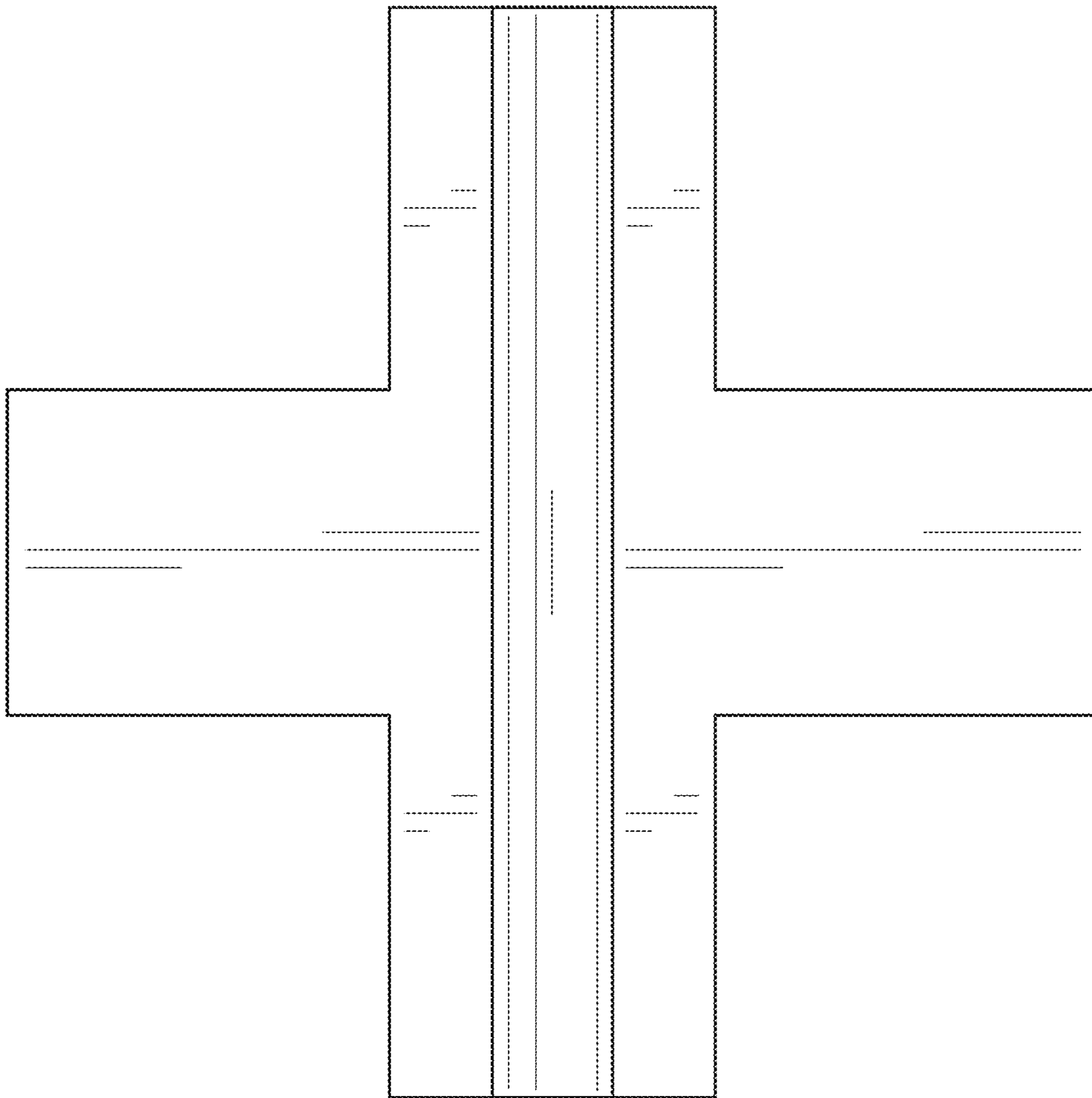


FIG. 3



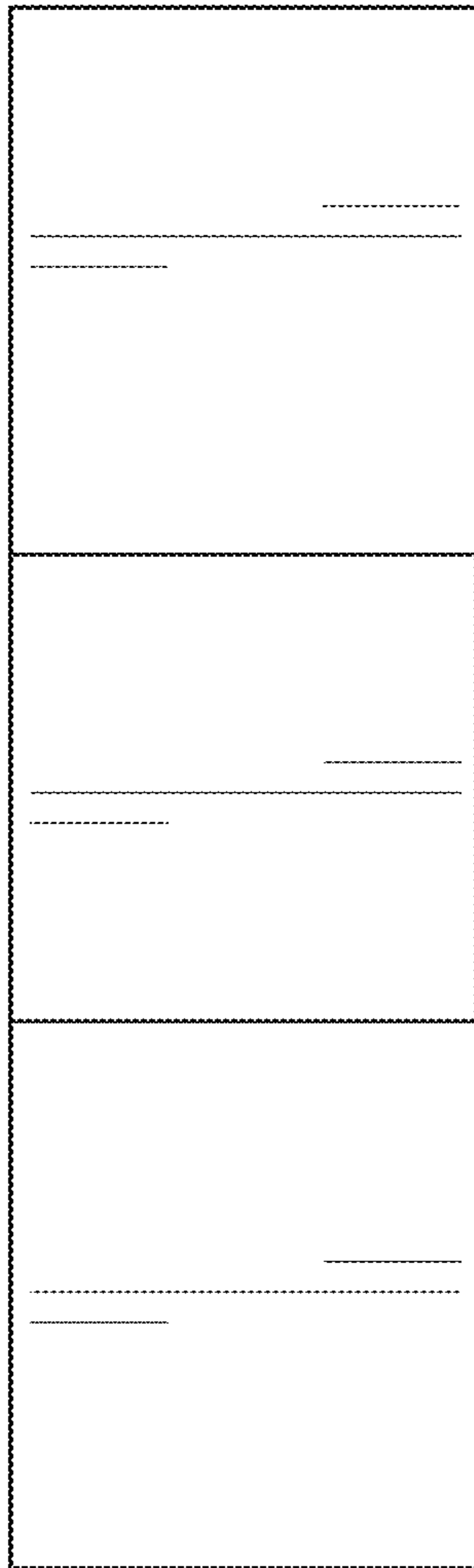


FIG. 4

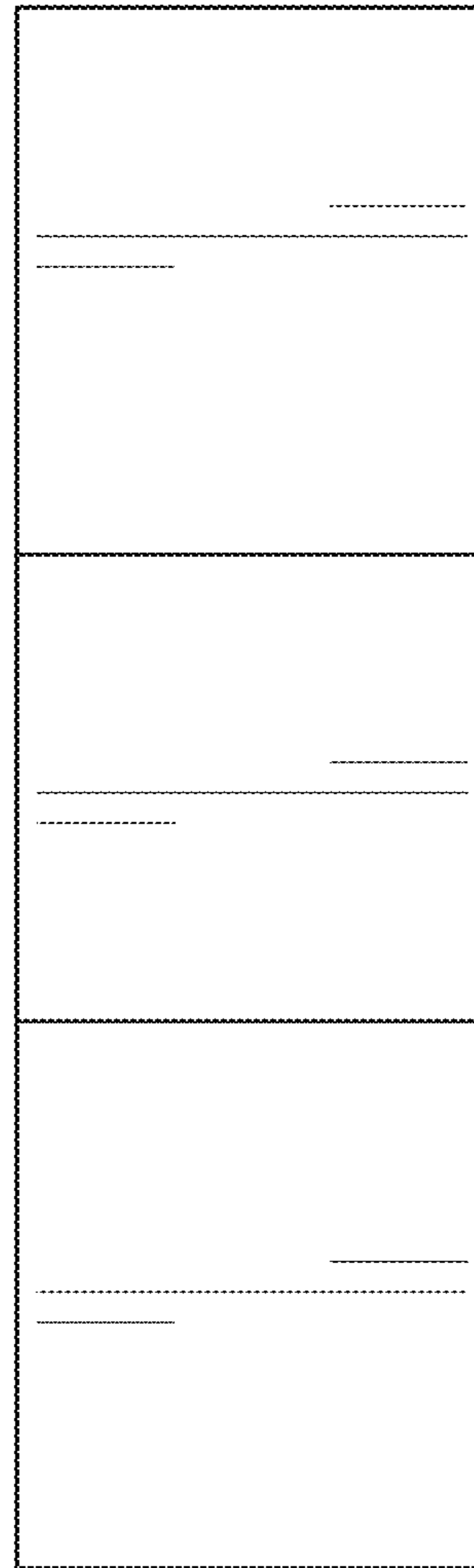


FIG. 5

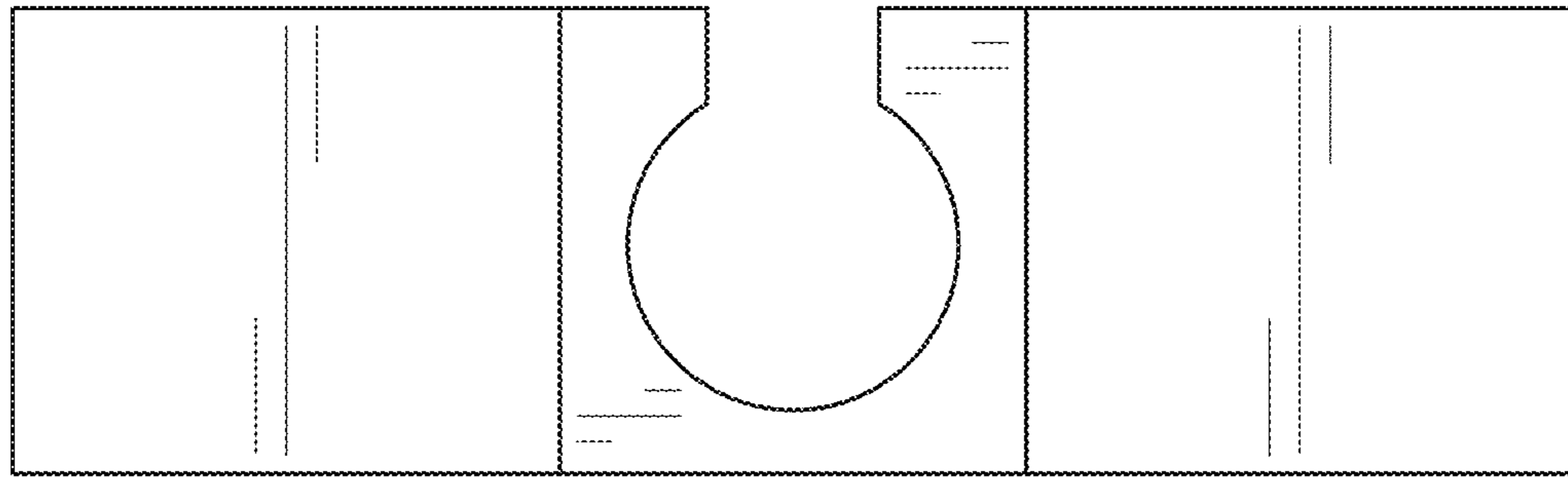


FIG. 6

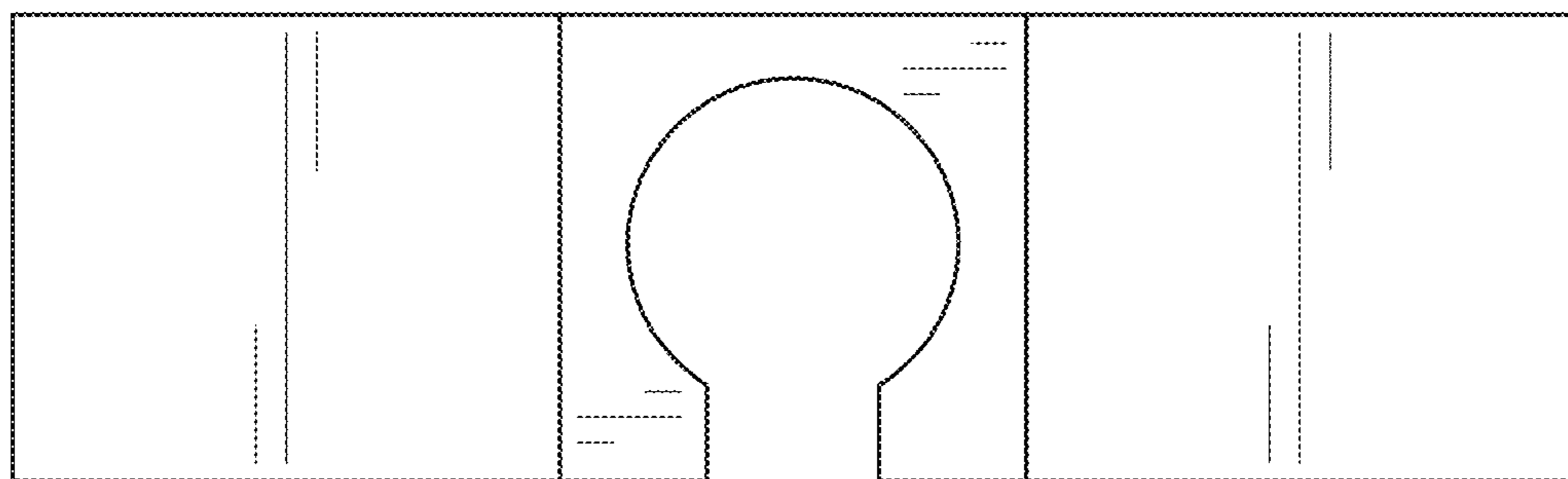


FIG. 7