



US00D688967S

(12) **United States Design Patent**
Wilson

(10) **Patent No.:** **US D688,967 S**
(45) **Date of Patent:** **** Sep. 3, 2013**

(54) **WATCH HOLDER**

(75) **Inventor:** **Scott H. Wilson**, Chicago, IL (US)

(73) **Assignee:** **Wimo Labs, LLC**, Chicago, IL (US)

(**) **Term:** **14 Years**

(21) **Appl. No.:** **29/382,624**

(22) **Filed:** **Jan. 5, 2011**

(51) **LOC (9) Cl.** **10-07**

(52) **U.S. Cl.**
USPC **D10/128**

(58) **Field of Classification Search**
USPC D10/32, 38, 39, 128, 30, 31, 132;
D11/3; 224/164, 170, 175; 368/276, 277,
368/281, 282, 286, 287, 316
See application file for complete search history.

(56) **References Cited**

U.S. PATENT DOCUMENTS

1,205,217	A *	11/1916	Kaufman	224/170
1,986,328	A *	1/1935	Dreyfus	368/283
2,136,625	A *	11/1938	Lasko	368/316
D157,606	S *	3/1950	Lachman	D10/38
4,236,239	A *	11/1980	Imgruth et al.	368/72
D341,092	S *	11/1993	Wild	D10/32
D351,799	S *	10/1994	Bulgari	D10/39
D386,094	S *	11/1997	Ventrella	D10/30
D507,975	S *	8/2005	Dreyfuss	D10/32
D539,671	S *	4/2007	Lassigne	D10/32
D564,367	S *	3/2008	Molyneux	D10/31
D638,312	S *	5/2011	Jacobs	D10/32
D638,324	S *	5/2011	Tang	D10/128
7,946,758	B2 *	5/2011	Mooring	368/276
D657,262	S *	4/2012	Pulli	D10/38
D666,924	S *	9/2012	Ahlstrom	D10/32

D672,255	S *	12/2012	Zanella et al.	D10/32
D672,265	S *	12/2012	Pulli	D10/128
D673,477	S *	1/2013	Szellos	D10/128
8,345,412	B2 *	1/2013	Maravilla et al.	361/679.03
2012/0073093	A1 *	3/2012	Szellos	24/594.1

FOREIGN PATENT DOCUMENTS

JP 2001218608 A * 8/2001

* cited by examiner

Primary Examiner — Lucy Lieberman

(74) *Attorney, Agent, or Firm* — Michael R. Turner; Neal, Gerber & Eisenberg LLP

(57) **CLAIM**

The ornamental design for a watch holder, as shown and described.

DESCRIPTION

FIG. 1 is a perspective view of a watch holder showing my new design;

FIG. 2 is a side elevational view of one side of the watch holder shown in FIG. 1;

FIG. 3 is a side elevational view of the other side of the watch holder shown in FIG. 1;

FIG. 4 is a top plan view of the watch holder shown in FIG. 1;

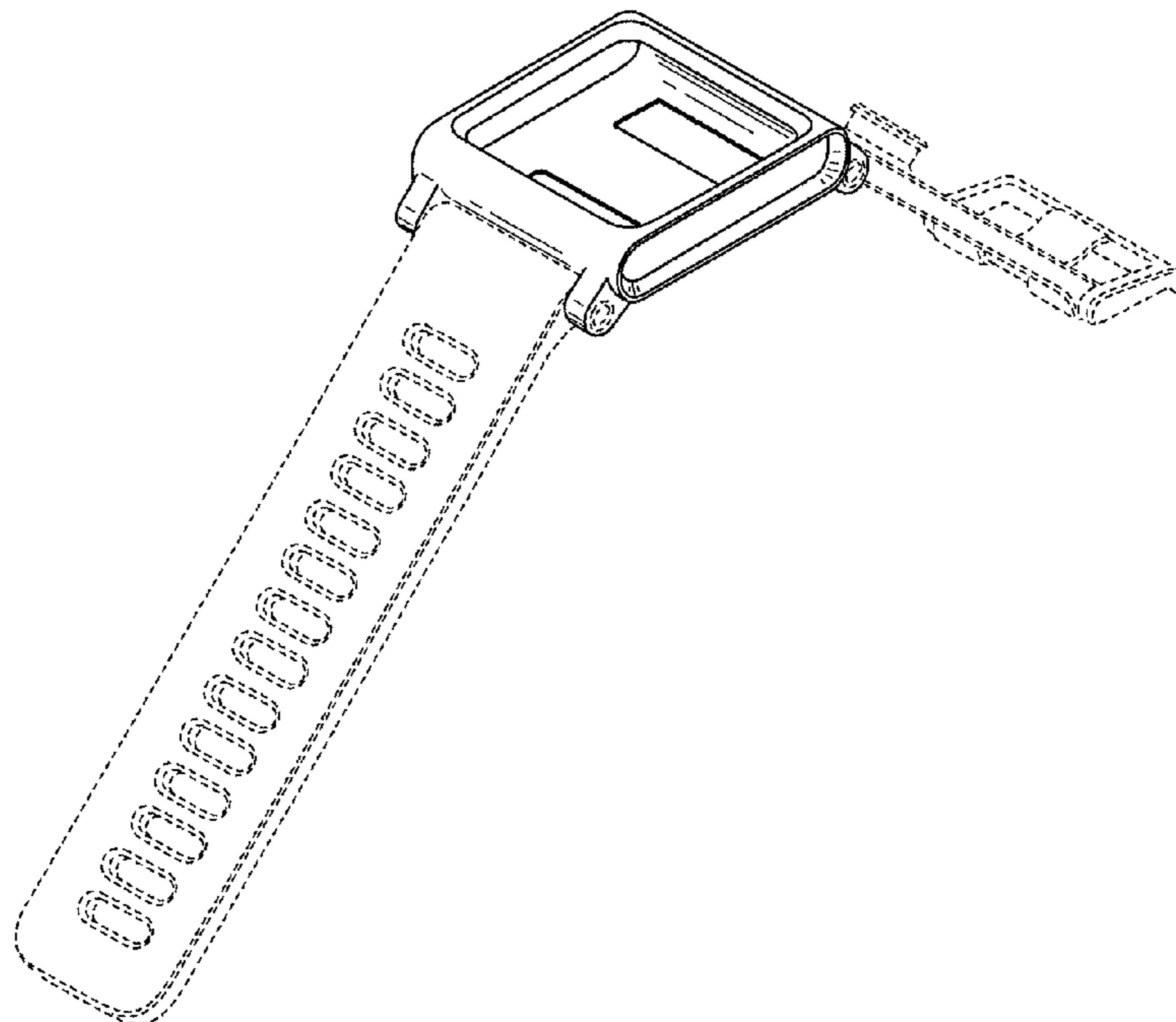
FIG. 5 is a bottom plan view of the watch holder shown in FIG. 1;

FIG. 6 is a front elevational view of the watch holder shown in FIG. 1; and,

FIG. 7 is a rear elevational view of the watch holder shown in FIG. 1.

The broken lines in the drawings are used to show an unclaimed watch band and unclaimed portions of the watch holder.

1 Claim, 7 Drawing Sheets



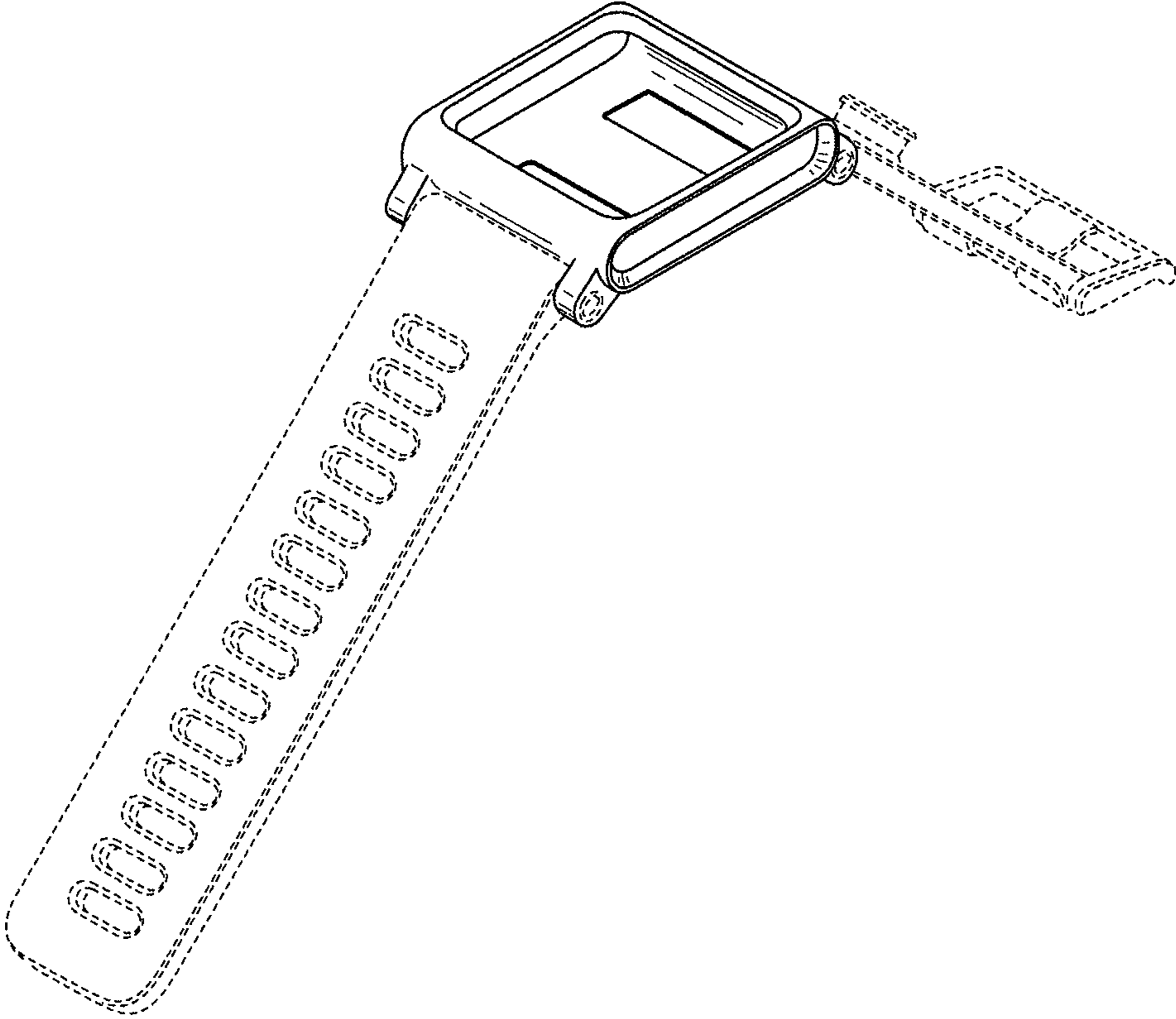


FIG. 1

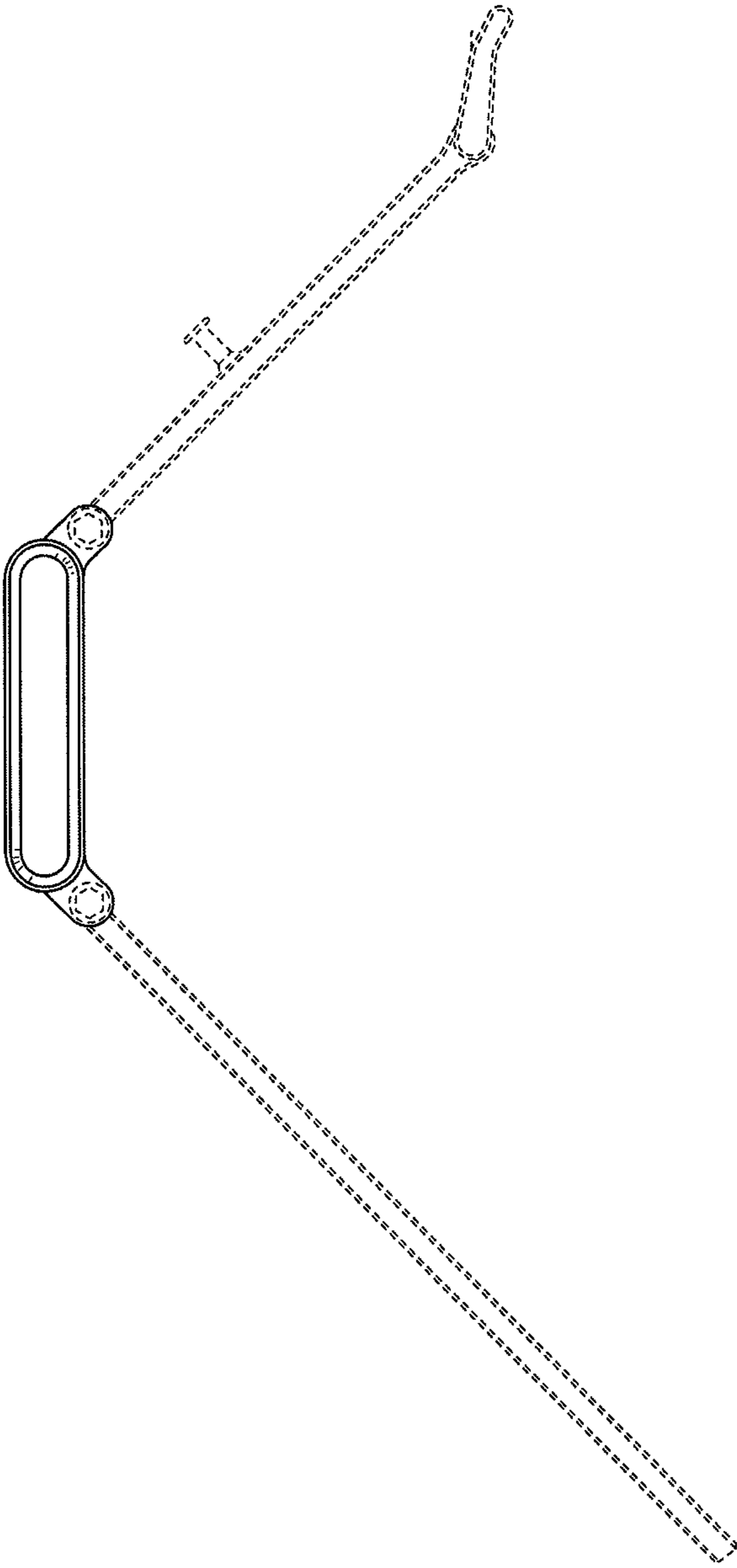


FIG. 2

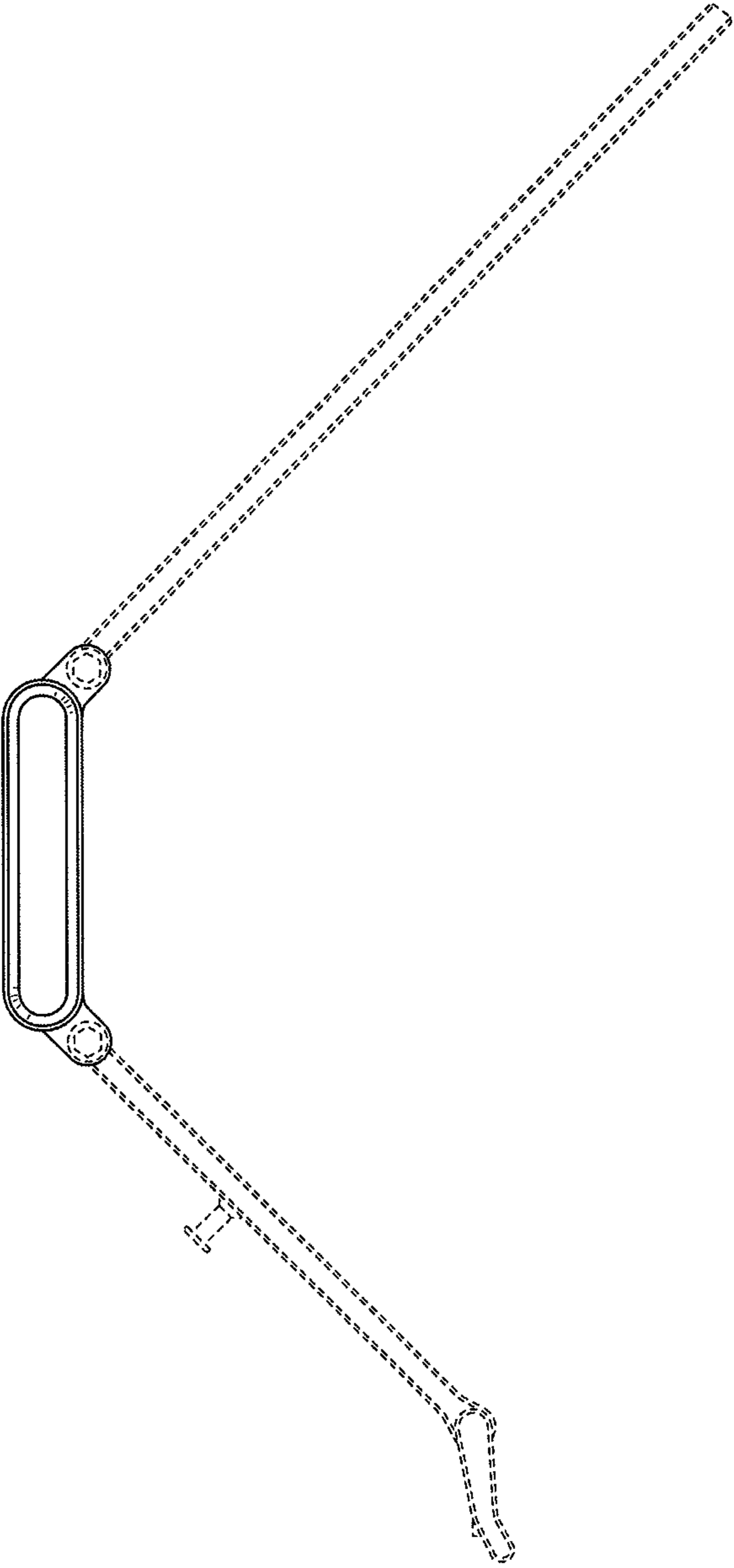


FIG. 3

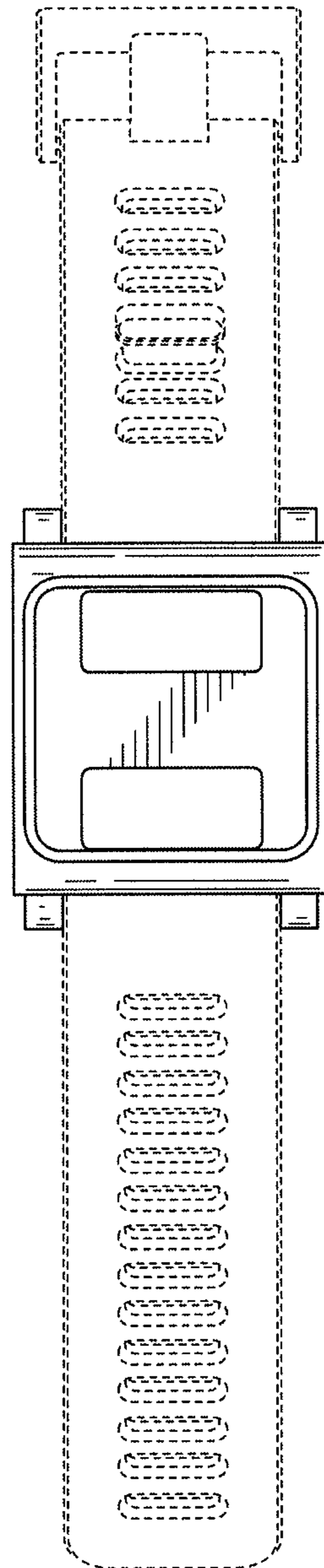


FIG. 4

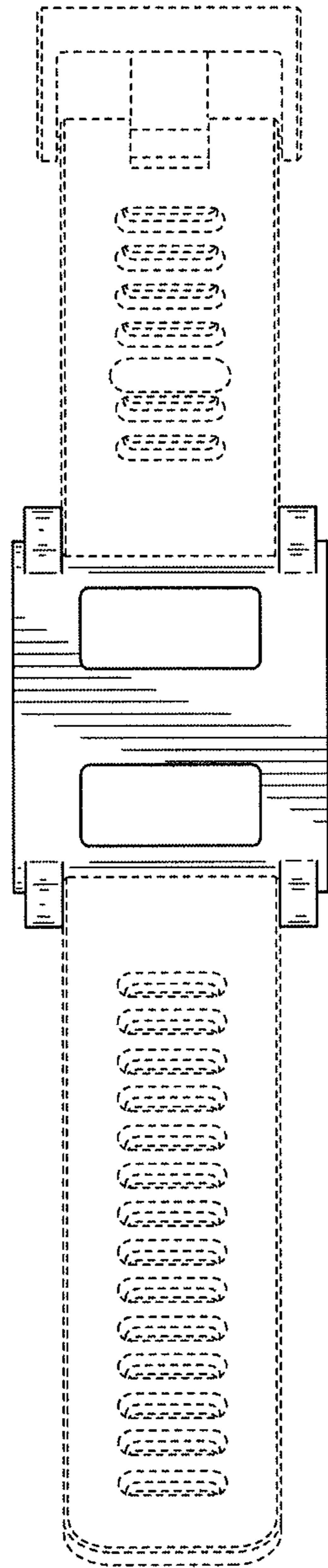


FIG. 5

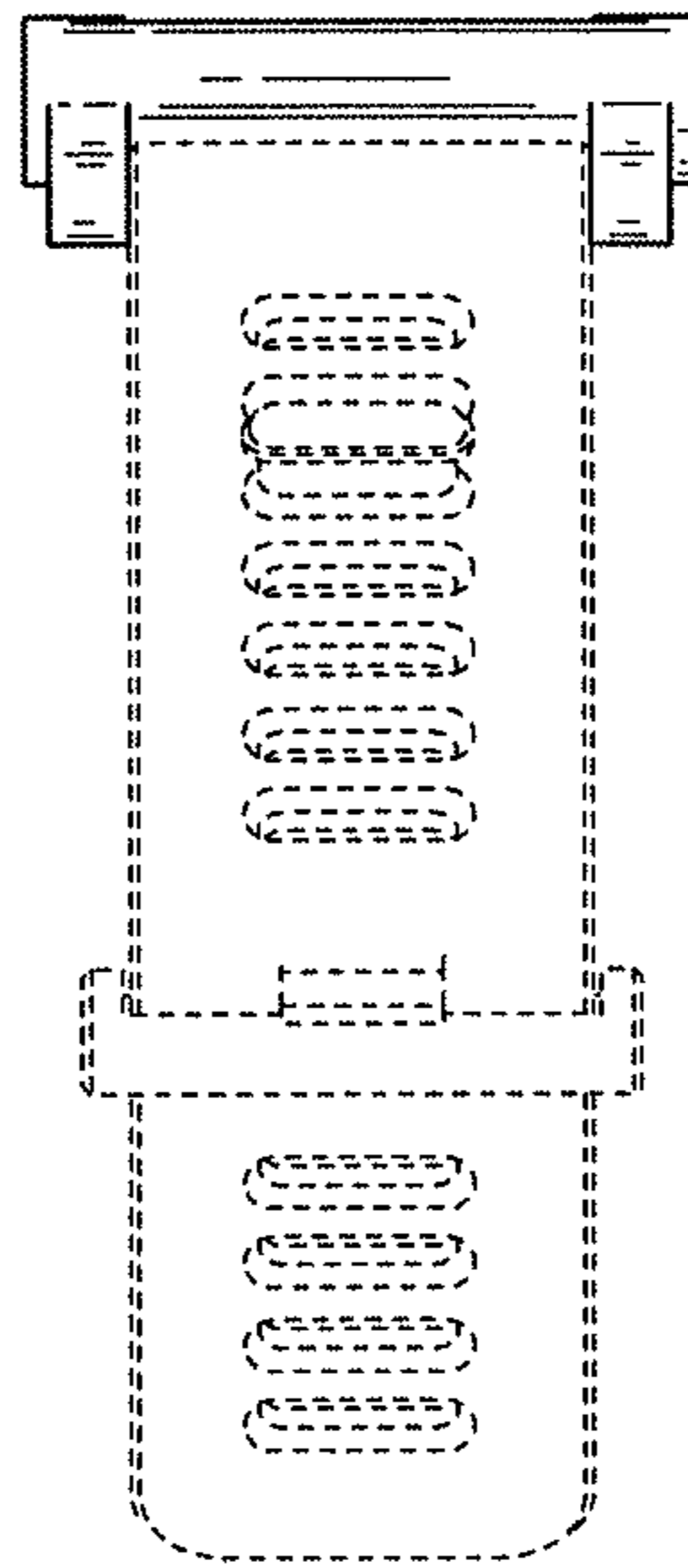


FIG. 6

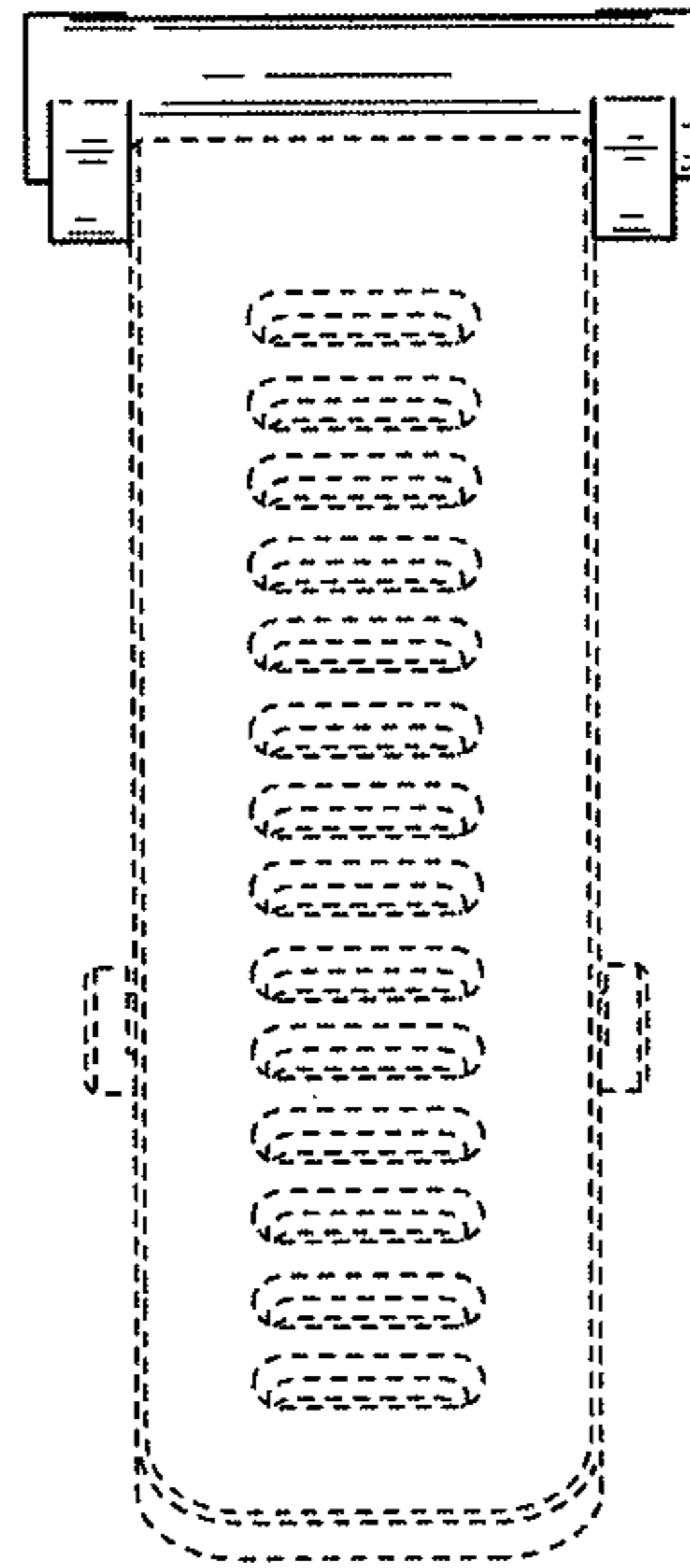


FIG. 7