



US00D688966S

(12) **United States Design Patent**
Hill

(10) **Patent No.:** **US D688,966 S**

(45) **Date of Patent:** **** Sep. 3, 2013**

(54) **REFLECTOR UNIT FOR ROAD STUD**

(75) Inventor: **David Hill**, Fareham (GB)

(73) Assignee: **Industrial Rubber PLC**, Fareham,
Hampshire (GB)

(**) Term: **14 Years**

(21) Appl. No.: **29/405,971**

(22) Filed: **Nov. 8, 2011**

(30) **Foreign Application Priority Data**

May 13, 2011 (EP) 001863291

(51) **LOC (9) Cl.** **10-05**

(52) **U.S. Cl.**
USPC **D10/111**

(58) **Field of Classification Search**
USPC D10/111, 113.1; D26/35, 28; 404/16
See application file for complete search history.

(56) **References Cited**

U.S. PATENT DOCUMENTS

D127,676	S	*	6/1941	Dover	D10/111
D226,130	S	*	1/1973	Povolko et al.	D26/35
D310,128	S	*	8/1990	George	D26/35
D355,271	S	*	2/1995	Baader	D26/35

* cited by examiner

Primary Examiner — George D Kirschbaum

(74) *Attorney, Agent, or Firm* — Park, Vaughan, Fleming & Dowler, LLP

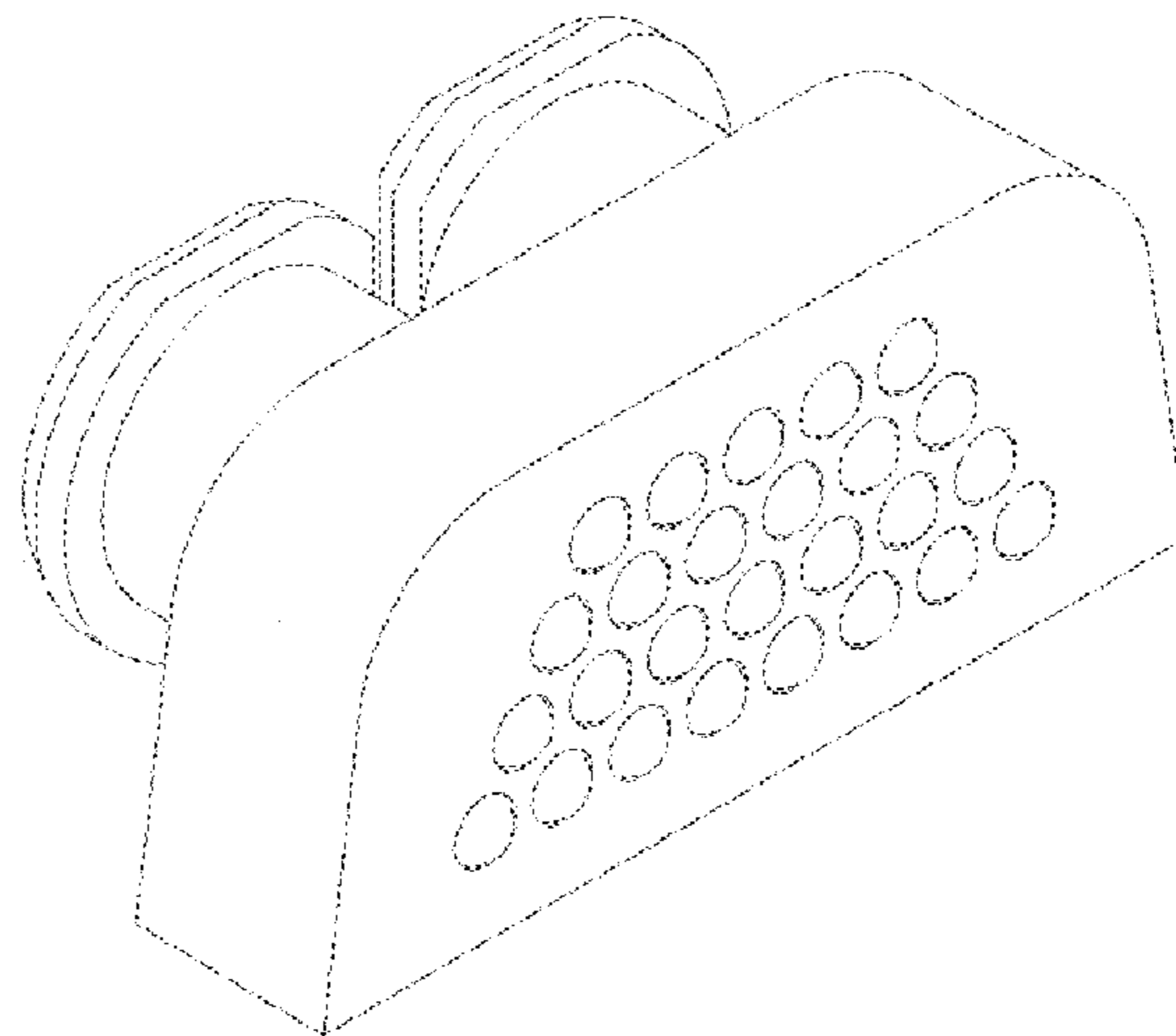
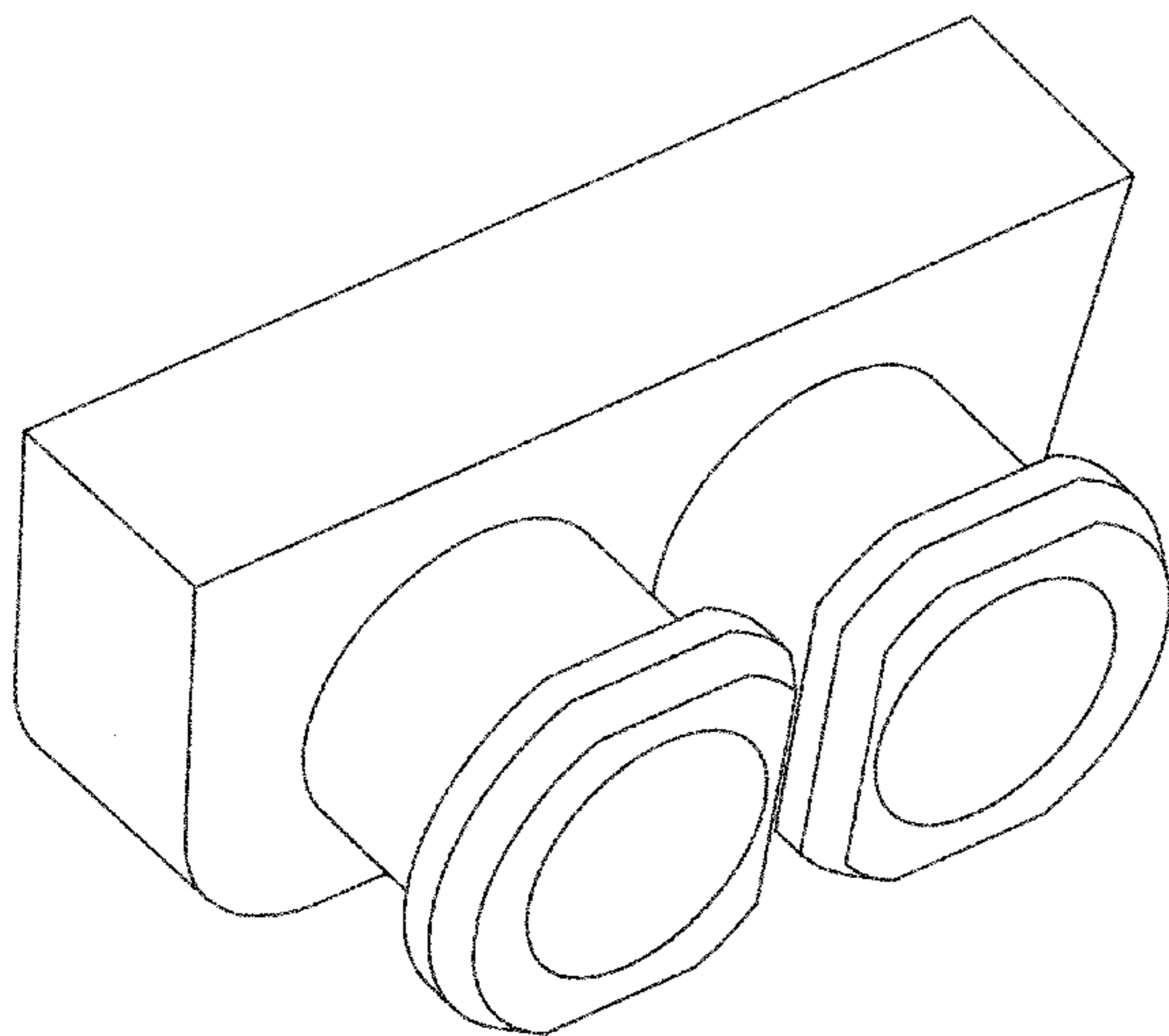
(57) **CLAIM**

I claim the ornamental design for a reflector unit for road stud, as shown and described.

DESCRIPTION

FIG. 1 is an isometric rear view of a reflector unit for road stud showing my new design;
FIG. 2 is a top plan view thereof;
FIG. 3 is a side plan view, the opposite side being a mirror image thereof; and,
FIG. 4 is a front perspective view thereof.

1 Claim, 4 Drawing Sheets



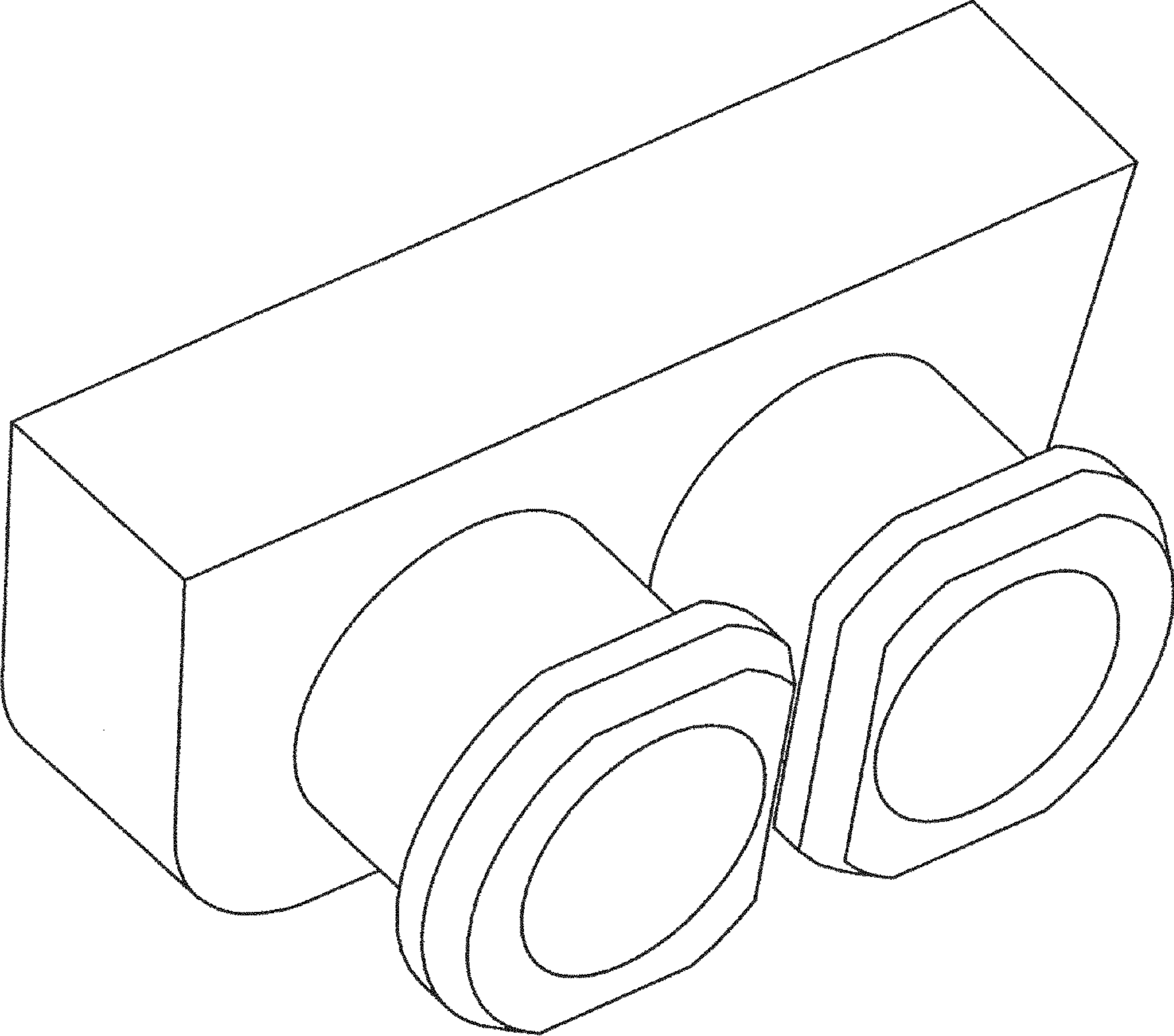


Figure 1

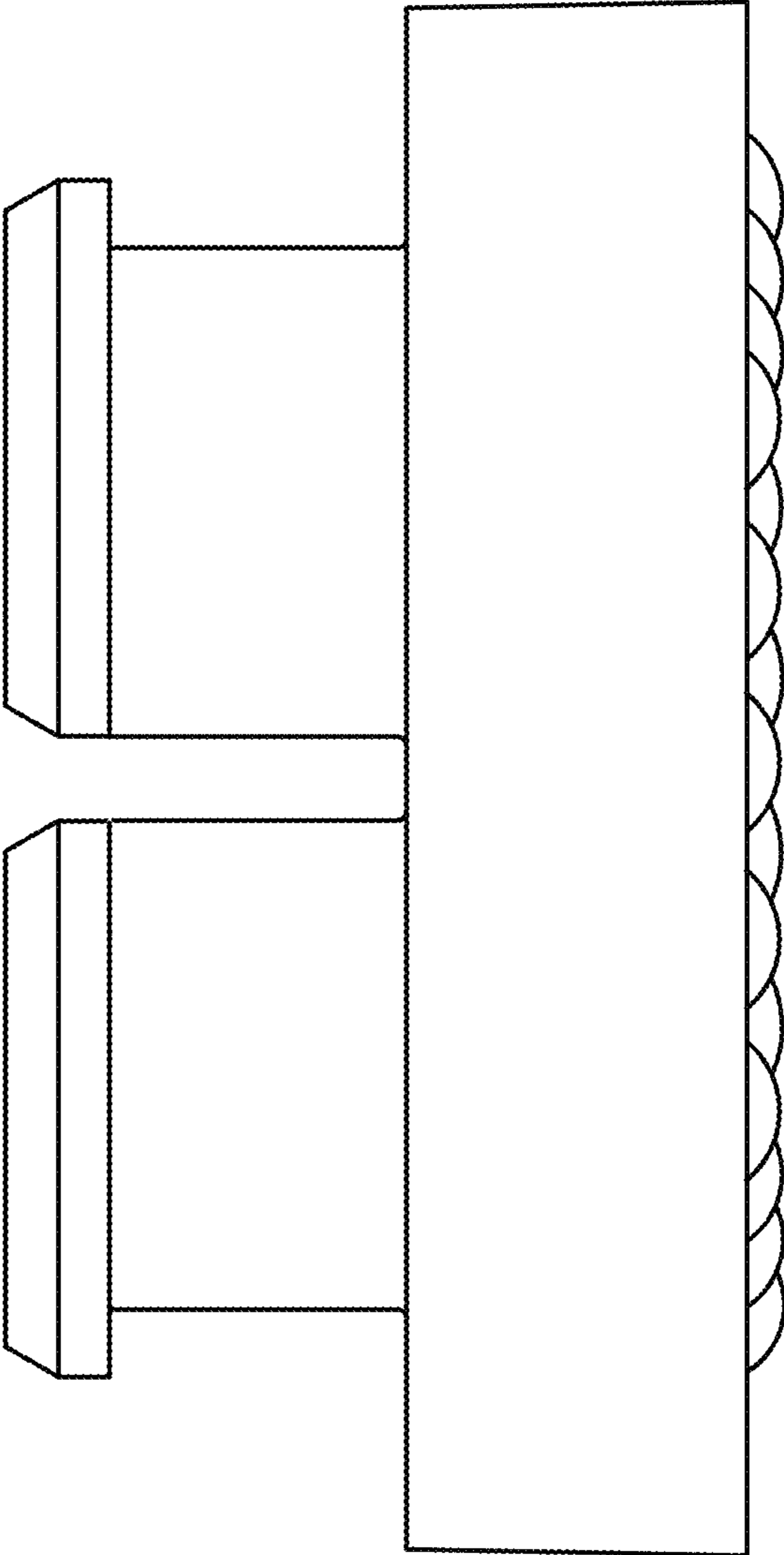


Figure 2

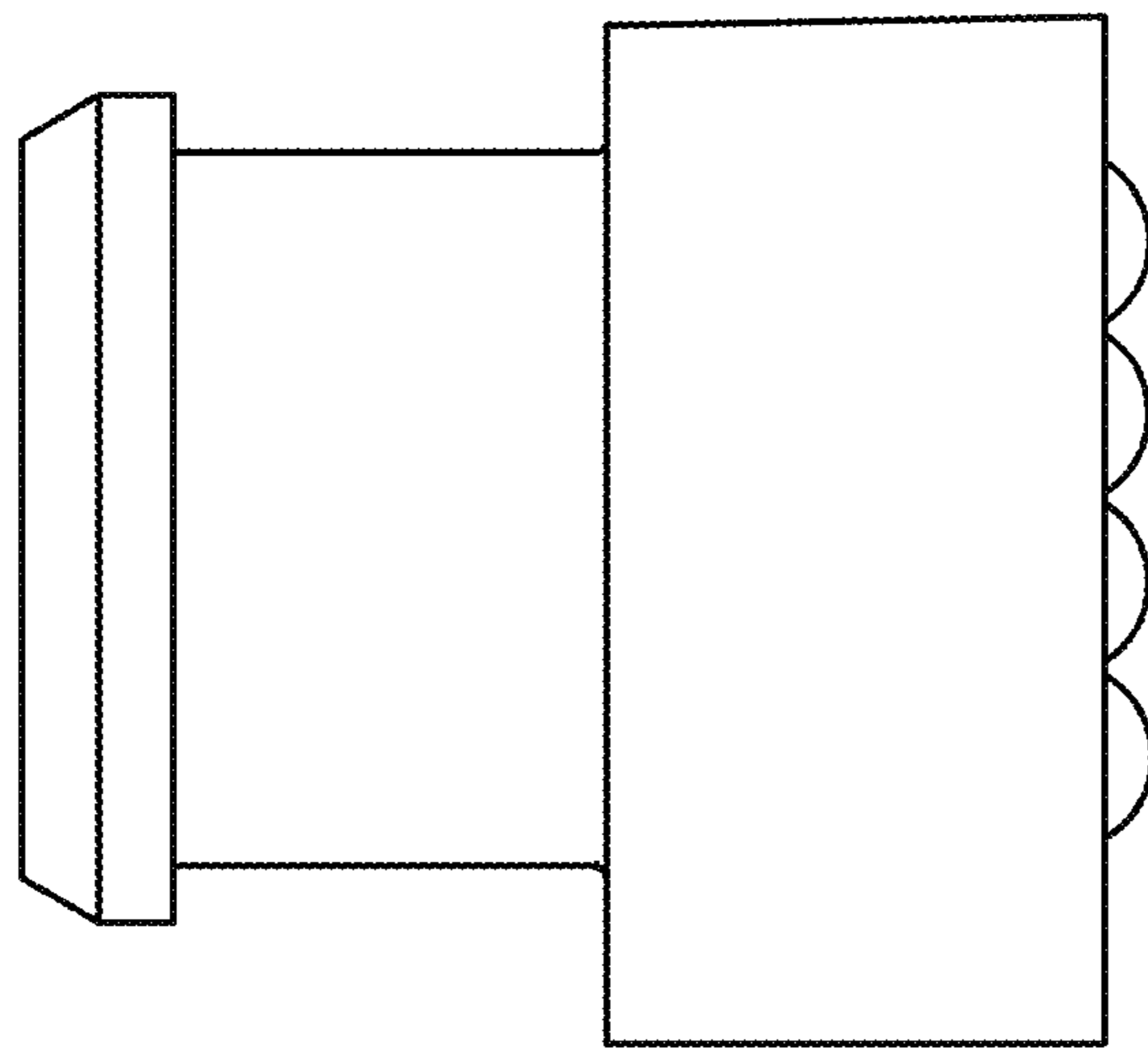


Figure 3

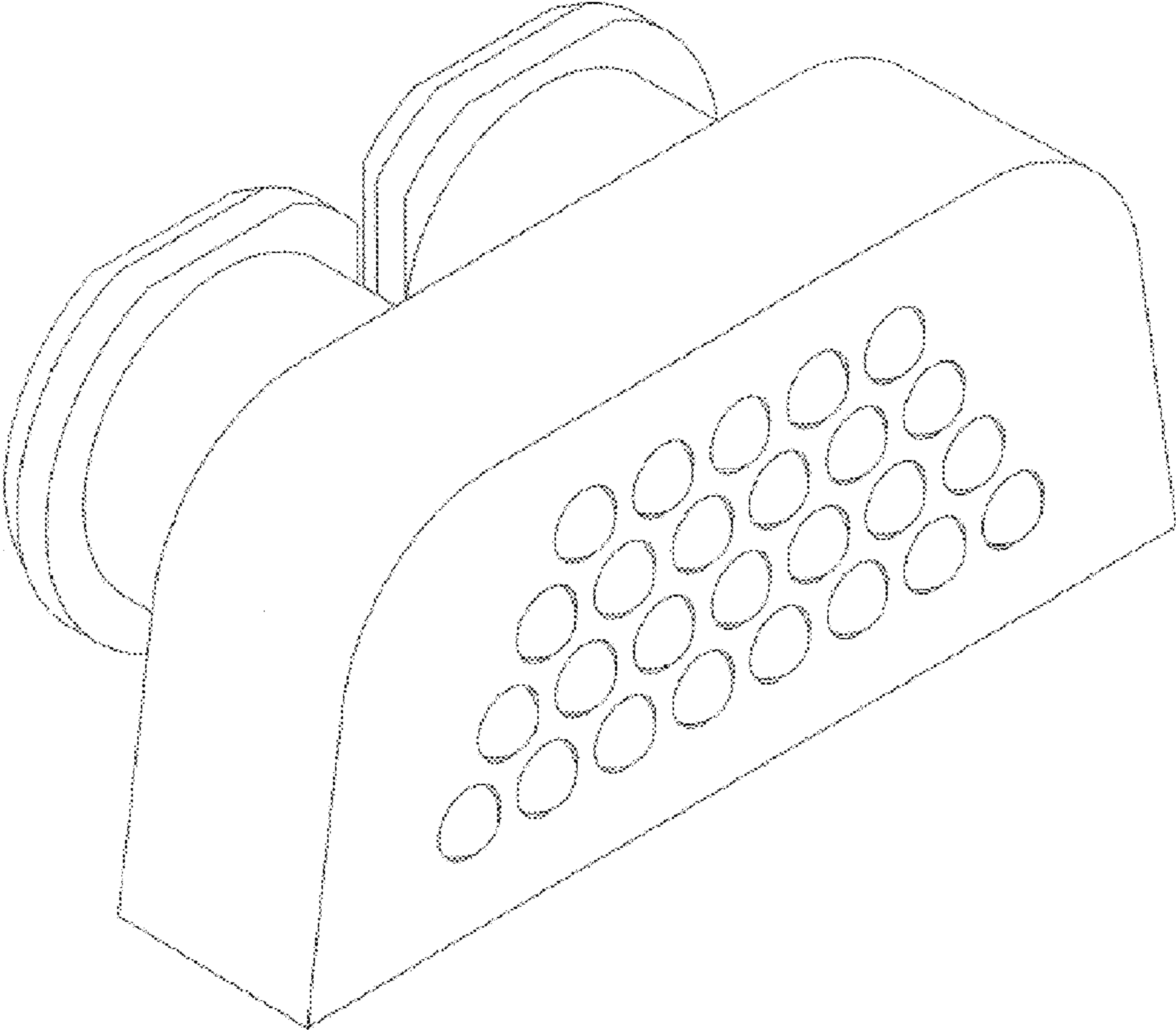


Figure 4