



US00D688963S

(12) **United States Design Patent**
Hanson et al.

(10) **Patent No.:** **US D688,963 S**
(45) **Date of Patent:** **** Sep. 3, 2013**

(54) **SAMPLING MACHINE**

435/287.2, 806, 13, 14, 287.4, 287.7, 287.94,
435/6.18; 436/43-54, 68, 900, 514, 530,
436/95; 600/300, 301, 309, 322, 345, 347,
600/365, 393, 578, 583, 584; 604/207, 503,
604/65, 66, 67, 182; 702/19, 40; 221/65,
221/135; 235/451, 422.01; 95/87; 96/101,
96/106

(71) Applicants: **Royal A. Hanson**, Chatsworth, CA (US);
Steven W. Shaw, Simi Valley, CA (US);
Robson L. Splane, Jr., Valley Center,
CA (US); **Jeff Rosenbohm**, Omaha, NE
(US); **William P. Debley, Jr.**,
Northridge, CA (US)

See application file for complete search history.

(72) Inventors: **Royal A. Hanson**, Chatsworth, CA (US);
Steven W. Shaw, Simi Valley, CA (US);
Robson L. Splane, Jr., Valley Center,
CA (US); **Jeff Rosenbohm**, Omaha, NE
(US); **William P. Debley, Jr.**,
Northridge, CA (US)

(56) **References Cited**

U.S. PATENT DOCUMENTS

5,589,649	A *	12/1996	Brinker et al.	73/866
D377,152	S *	1/1997	Hanson et al.	D10/81
5,639,924	A *	6/1997	Elsheikh et al.	570/168
5,682,001	A *	10/1997	Hanson et al.	73/866
6,422,098	B1 *	7/2002	Hanson et al.	73/866
2006/0260421	A1 *	11/2006	Sekizawa et al.	73/866
2007/0295114	A1 *	12/2007	Pilcher et al.	73/866
2011/0079096	A1 *	4/2011	Fetvedt et al.	73/866

(**) Term: **14 Years**

* cited by examiner

(21) Appl. No.: **29/438,716**

Primary Examiner — Antoine D Davis

(22) Filed: **Dec. 3, 2012**

(74) *Attorney, Agent, or Firm* — Sandy Lipkin

(51) **LOC (9) Cl.** **10-04**

(52) **U.S. Cl.**
USPC **D10/81; D24/232**

(58) **Field of Classification Search**
USPC D10/75, 78, 81; D24/216, 232-234;
73/1.01, 1.02-1.08, 1.16, 19.01-19.02, 23.2-23.27,
73/23.3, 23.35-24.01, 52, 53.01, 61.52-61.61,
73/864.21, 431, 864.73, 31.03, 31.05, 866.5,
73/864.84, 864.23, 61.55, 863.01; 204/253,
204/400, 403.01, 403.02, 403.04, 403.05,
204/403.1, 403.11, 403.14; 205/775, 777.5,
205/778, 792; 210/656-660, 198.2, 635,
210/101, 103; 250/252.1, 251, 25, 281-300,
250/305, 336.1, 338.1, 338.5, 339.07, 339.13,
250/343, 349, 239, 910;
356/446, 246, 301-337, 451, 72, 73;
422/50-53, 62-82, 83-98, 239.2, 400, 401,
422/404; 435/4, 283.1-284.1, 286.5, 287.1,

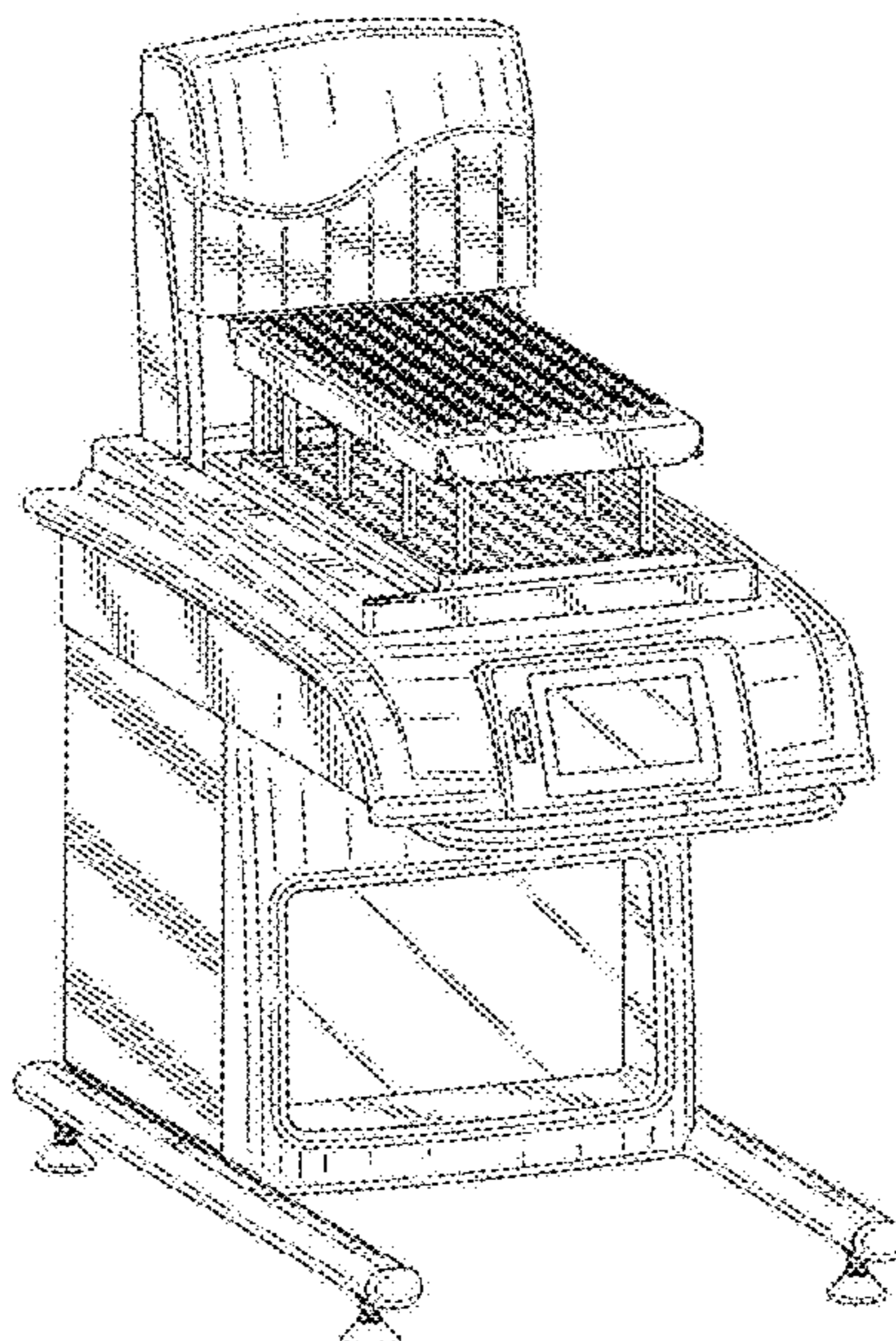
(57) **CLAIM**

The ornamental design for sampling machine, as shown and described.

DESCRIPTION

FIG. 1 is a perspective view of the sampling machine
FIG. 2 is a front view of the sampling machine
FIG. 3 is a first side view of the sampling machine
FIG. 4 is a second side view of the sampling machine
FIG. 5 is a top view of the sampling machine
FIG. 6 is a rear view of the sampling machine; and,
FIG. 7 is a bottom view of the sampling machine.

1 Claim, 7 Drawing Sheets



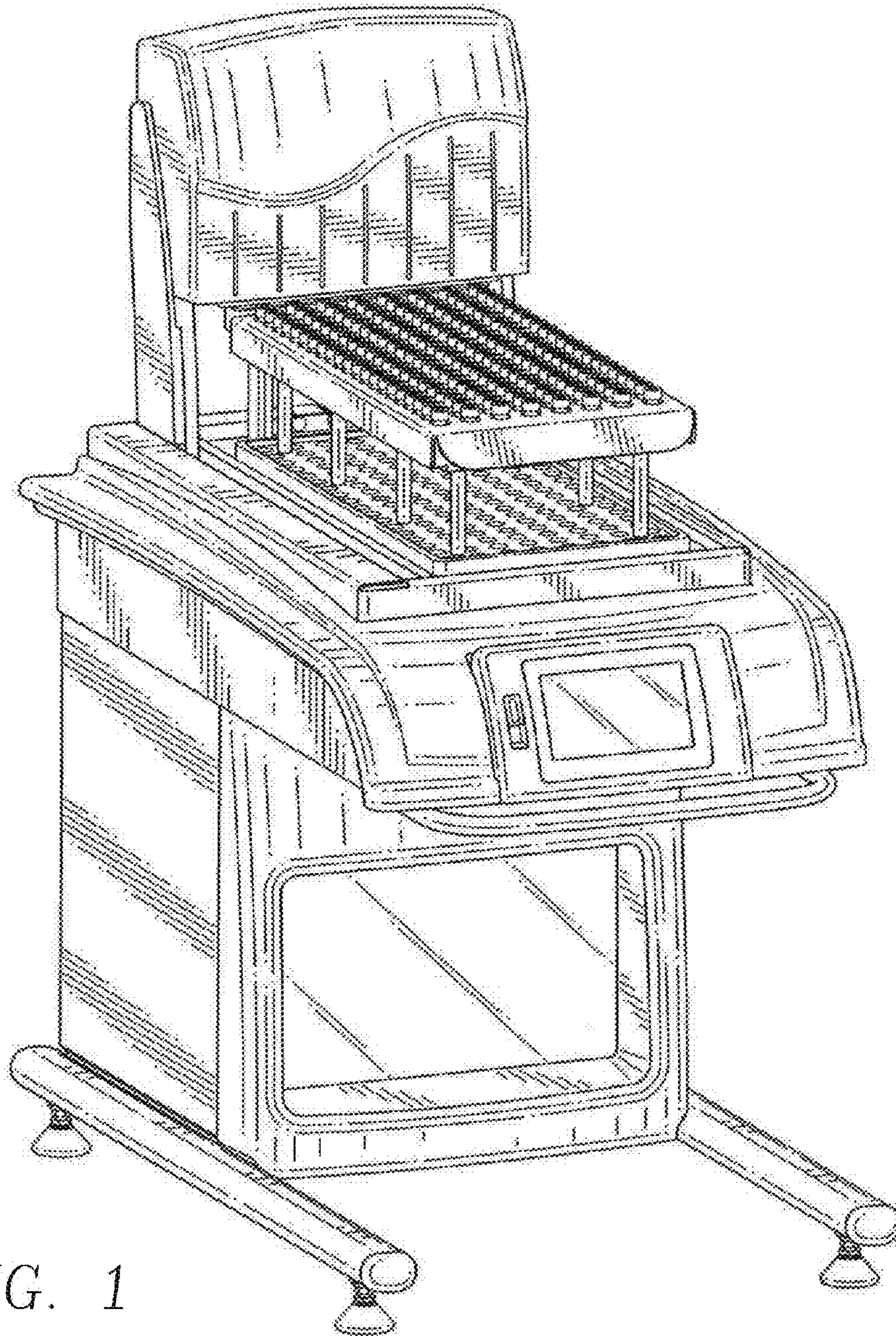


FIG. 1

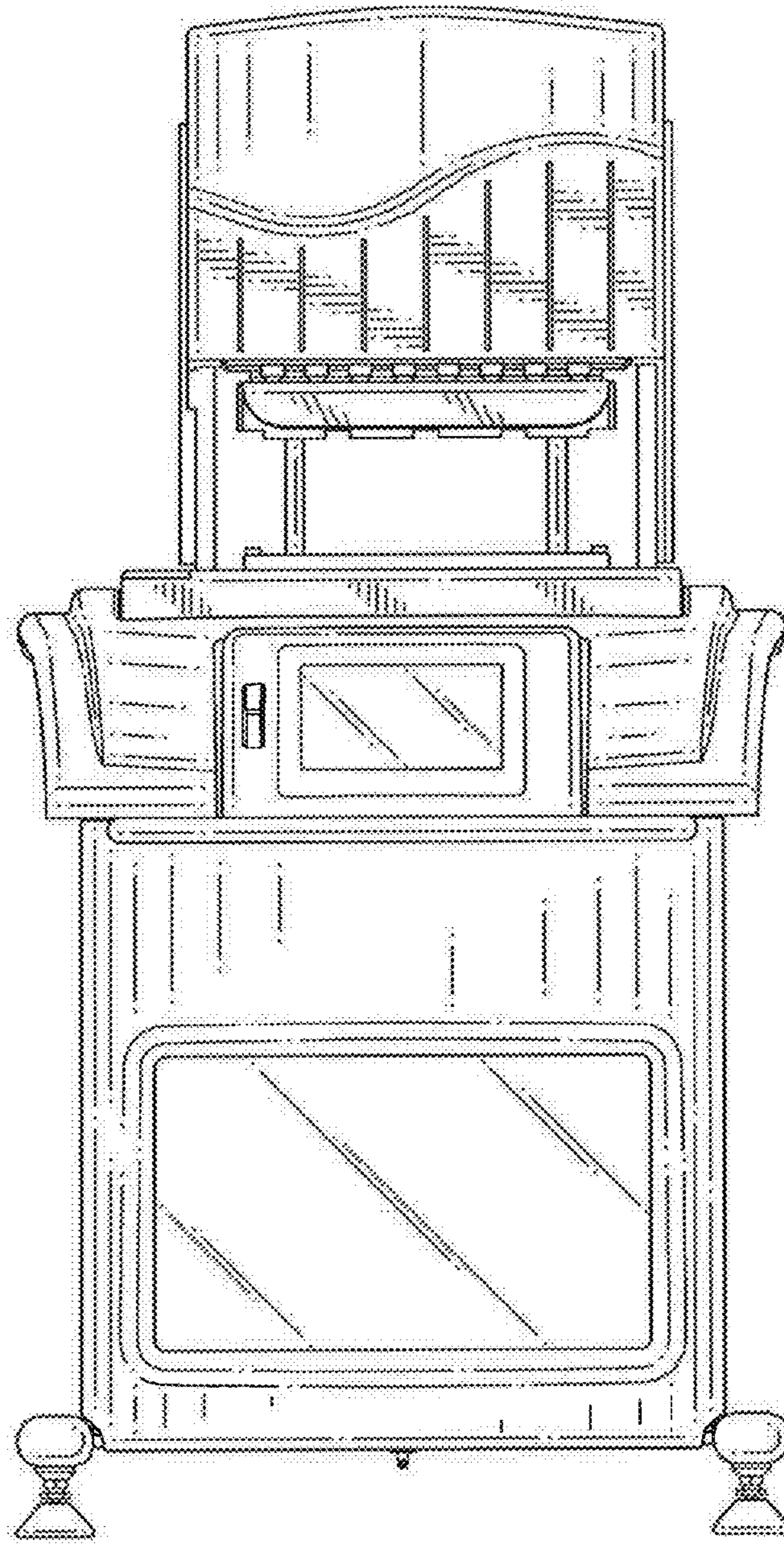


FIG. 2

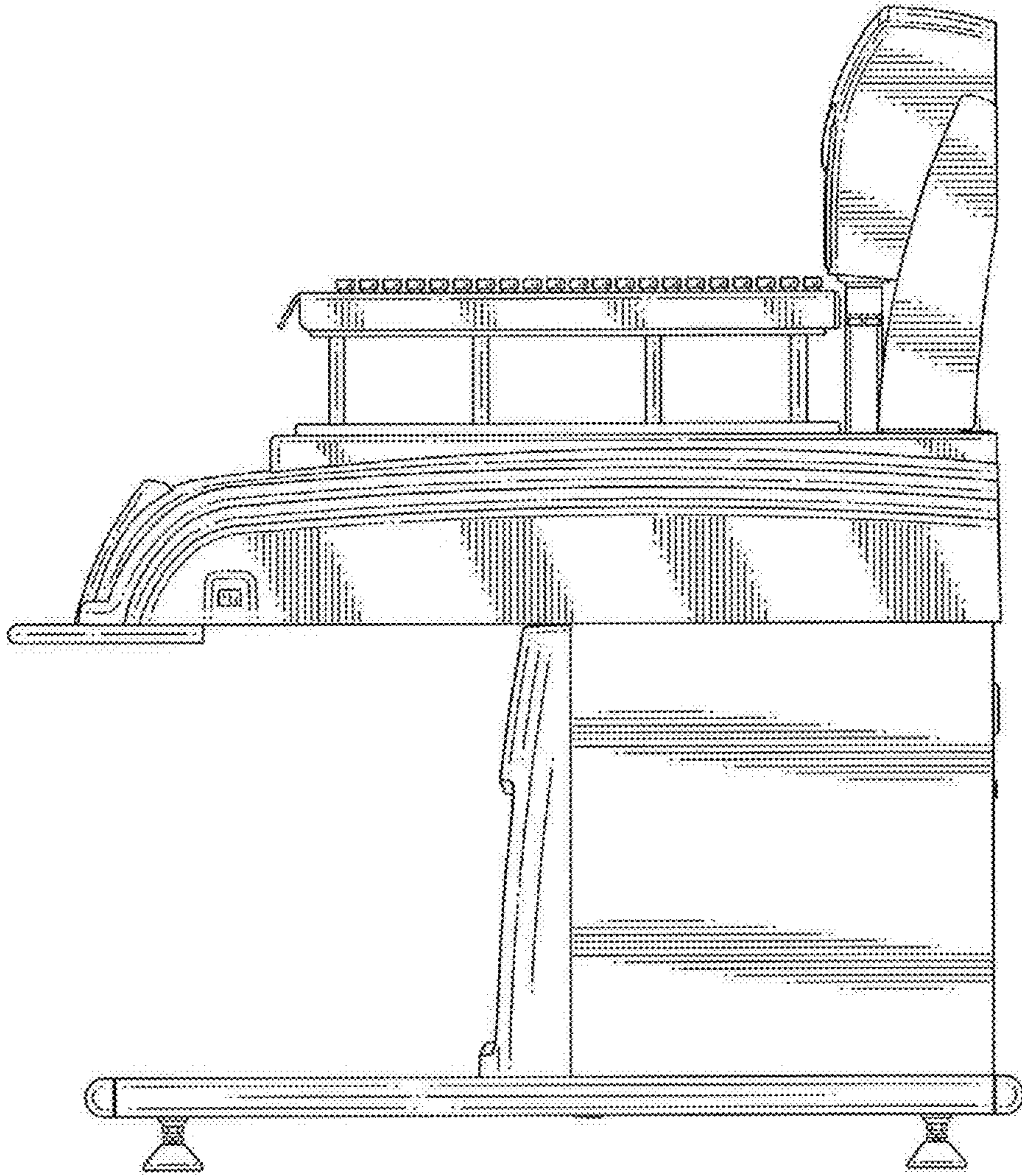


FIG. 3

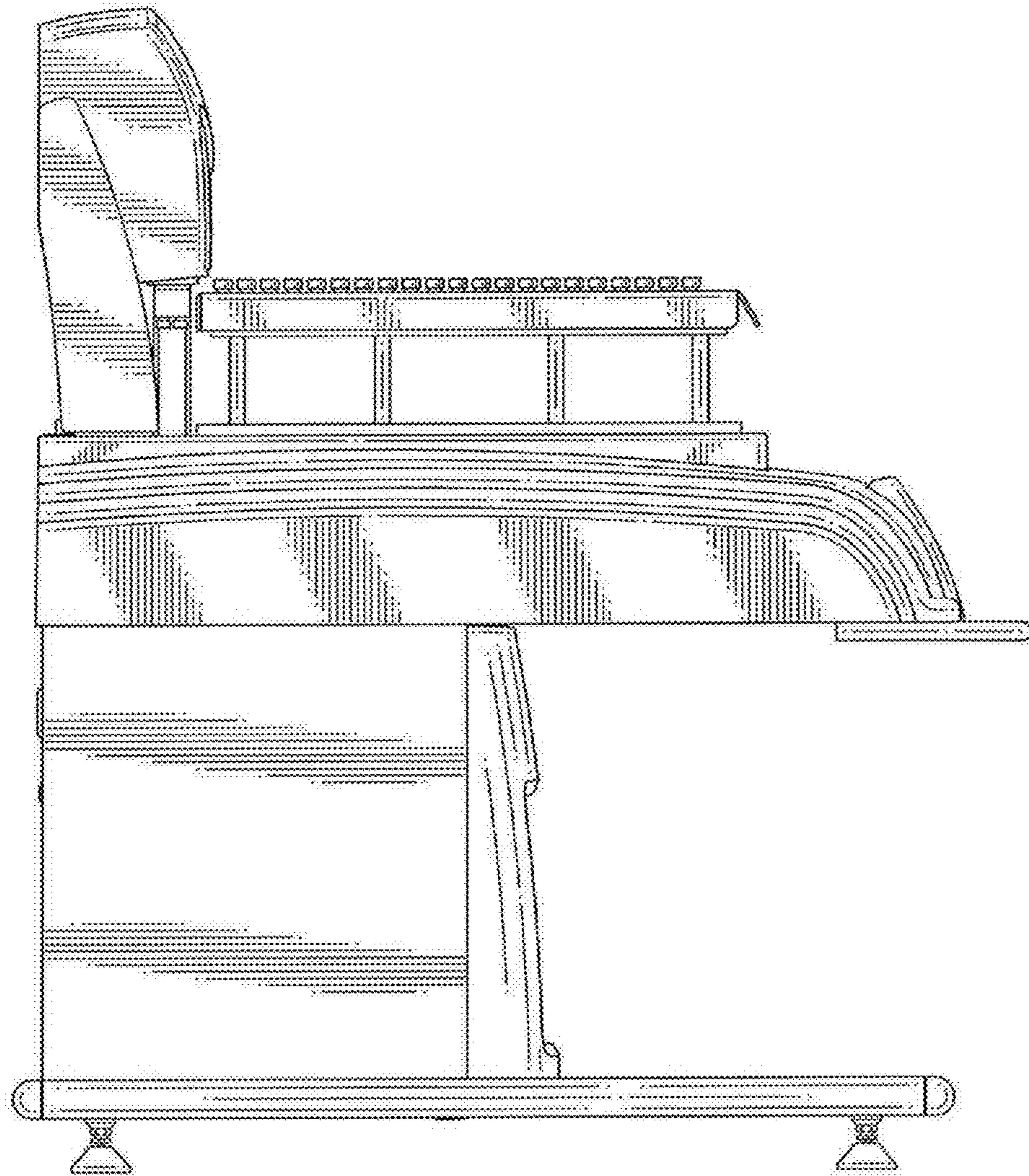


FIG. 4

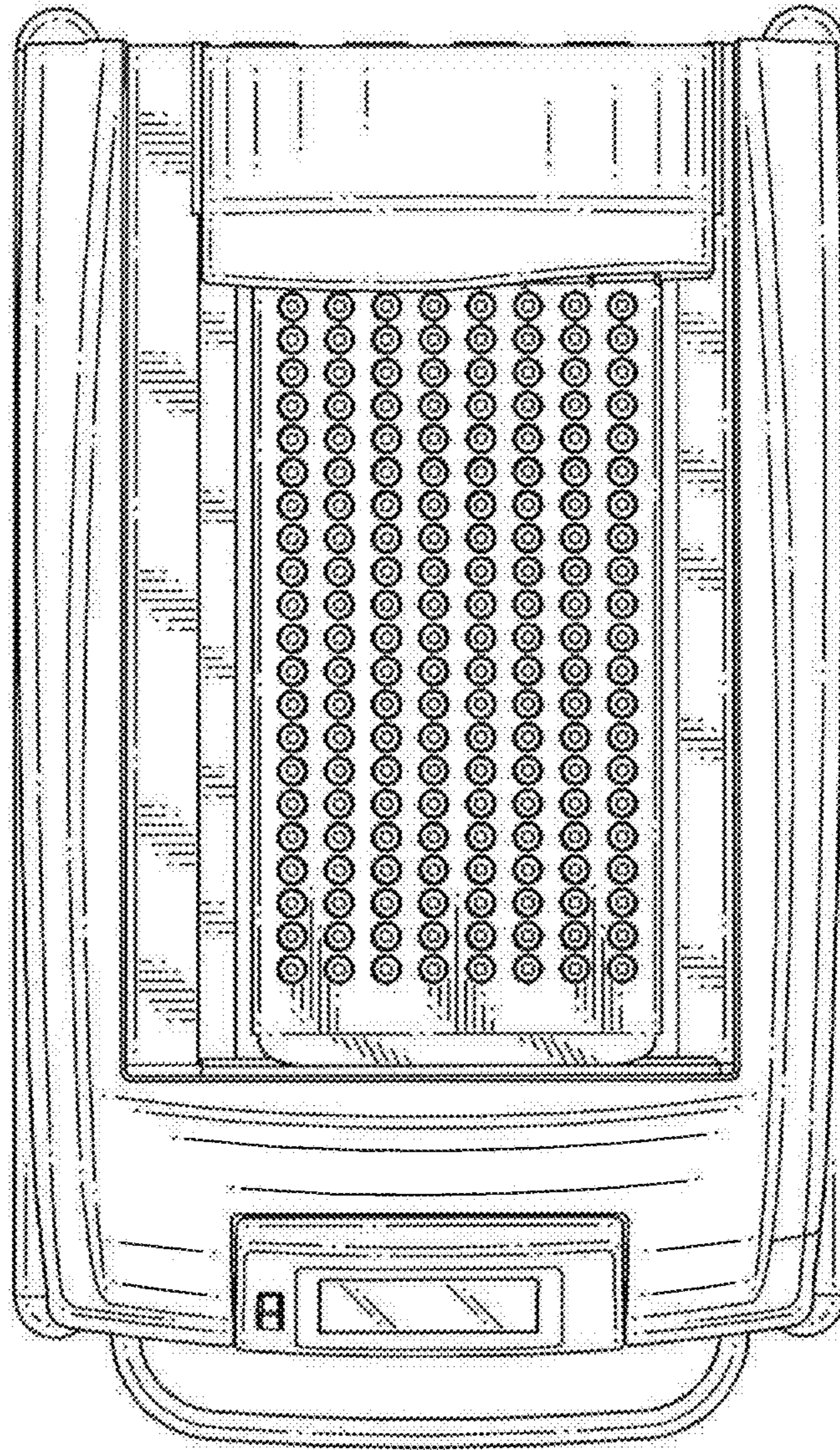


FIG. 5

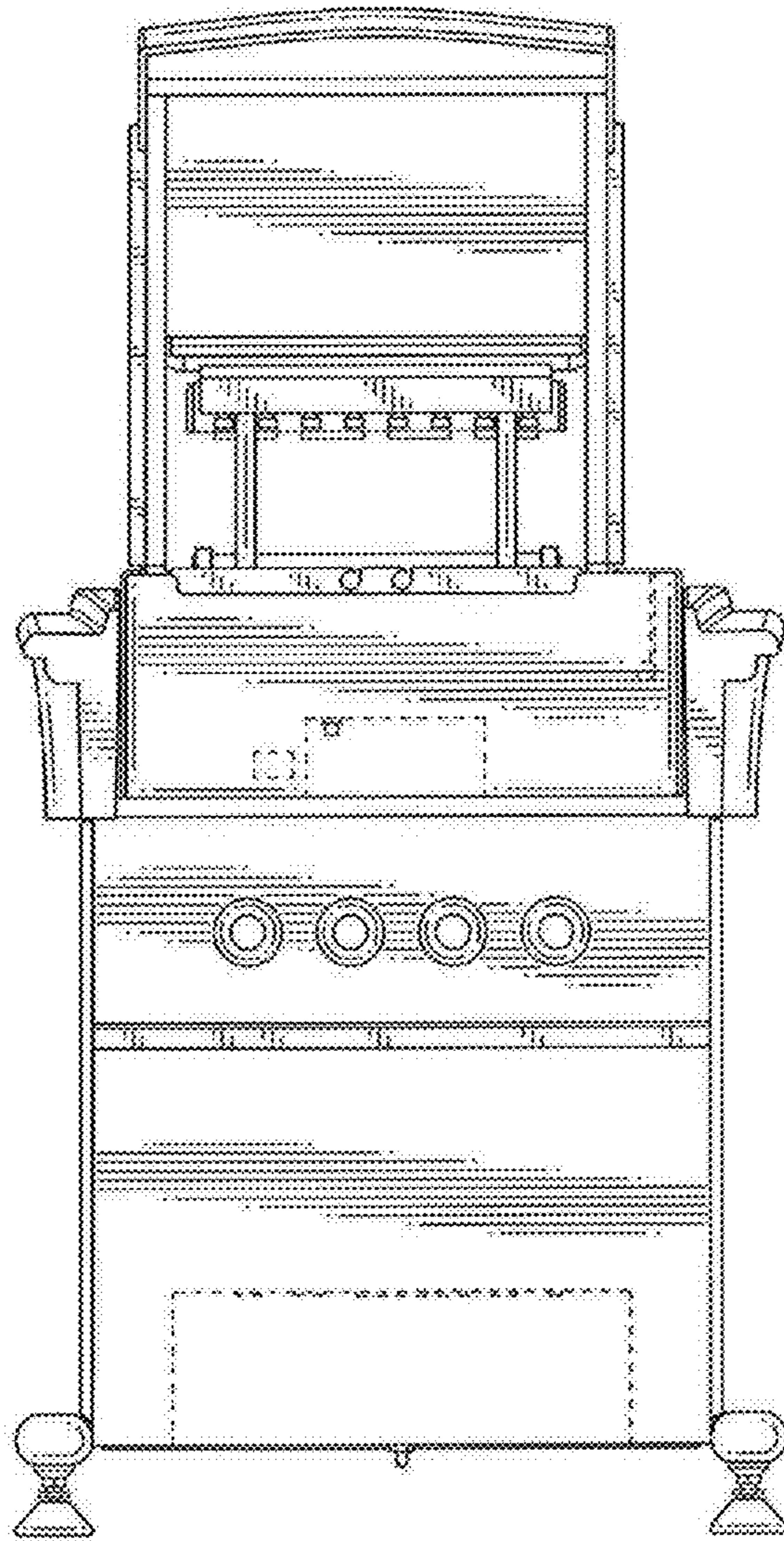


FIG. 6

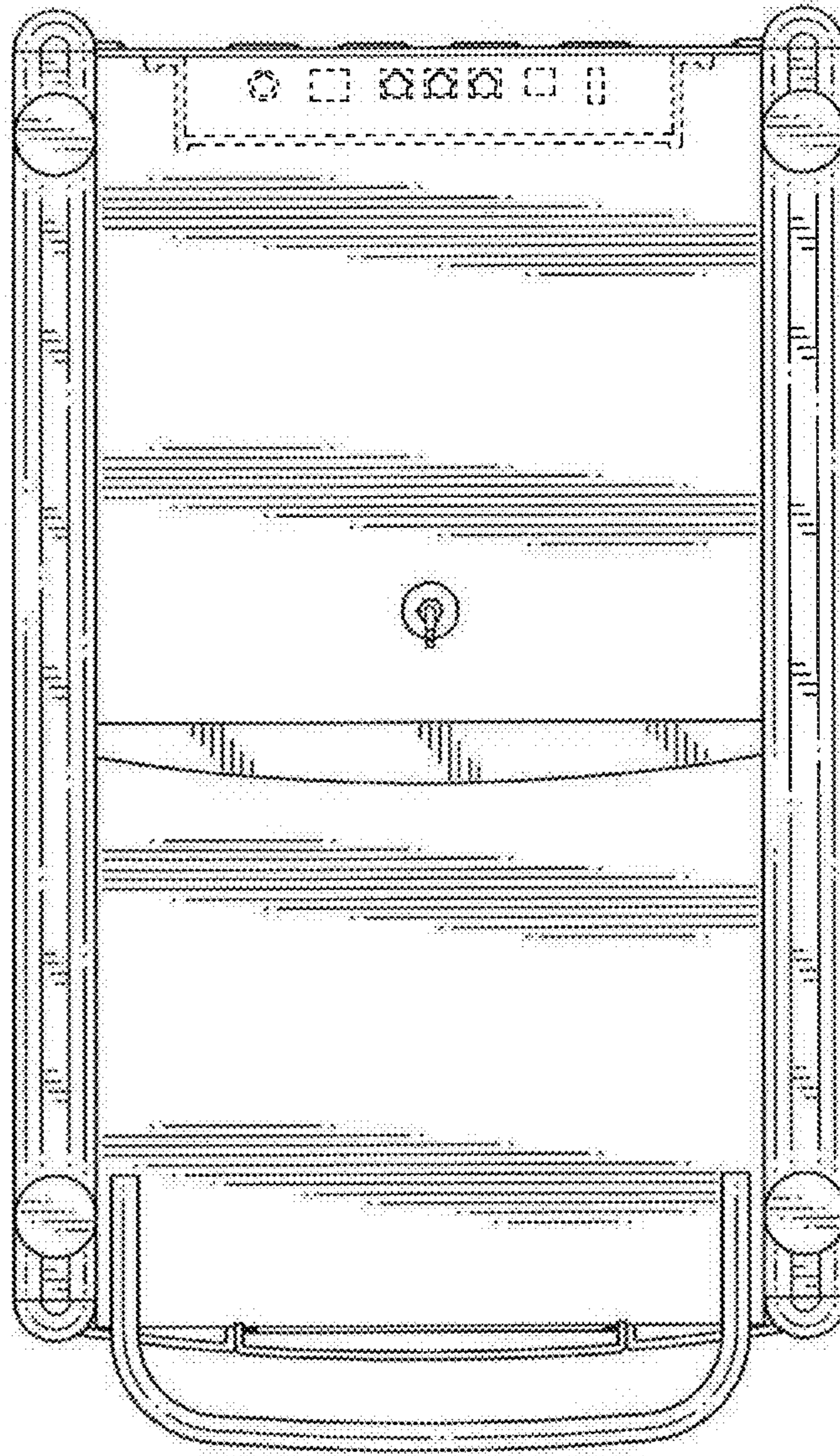


FIG. 7