



US00D688962S

(12) **United States Design Patent**
Rossano

(10) **Patent No.:** **US D688,962 S**
(45) **Date of Patent:** **** Sep. 3, 2013**

(54) **POOL WATER TEST KIT**

(75) Inventor: **Martin Rossano**, Montreal (CA)

(73) Assignee: **CPA Pool Products, Inc.**, Quebec (CA)

(**) Term: **14 Years**

(21) Appl. No.: **29/423,774**

(22) Filed: **Jun. 5, 2012**

(51) **LOC (9) Cl.** **10-04**

(52) **U.S. Cl.**
USPC **D10/81**

(58) **Field of Classification Search**
USPC D10/81; 73/864.51; 210/96.1, 167.11;
285/197; 324/438, 439; 403/256; 422/417,
422/430

See application file for complete search history.

(56) **References Cited**

U.S. PATENT DOCUMENTS

D256,567	S	*	8/1980	Voss et al.	D10/81
4,663,126	A	*	5/1987	Gould et al.	422/417
4,752,740	A	*	6/1988	Steininger	324/438
4,801,886	A	*	1/1989	Steininger	324/438

* cited by examiner

Primary Examiner — Antoine D Davis

(74) *Attorney, Agent, or Firm* — Baker & Rannells, PA

(57) **CLAIM**

The ornamental design for a pool water test kit, as shown and described.

DESCRIPTION

FIG. 1 is a perspective view of a pool water test kit, showing my new design;
FIG. 2 is a front elevational view thereof;
FIG. 3 is a rear elevational view thereof;
FIG. 4 is a right side elevational view thereof;
FIG. 5 is a left side elevational view thereof;
FIG. 6 is a top plan view thereof; and,
FIG. 7 is a bottom plan view thereof.
The dotted lines are for illustrative purposes only, forming no part of the claimed design.

1 Claim, 7 Drawing Sheets

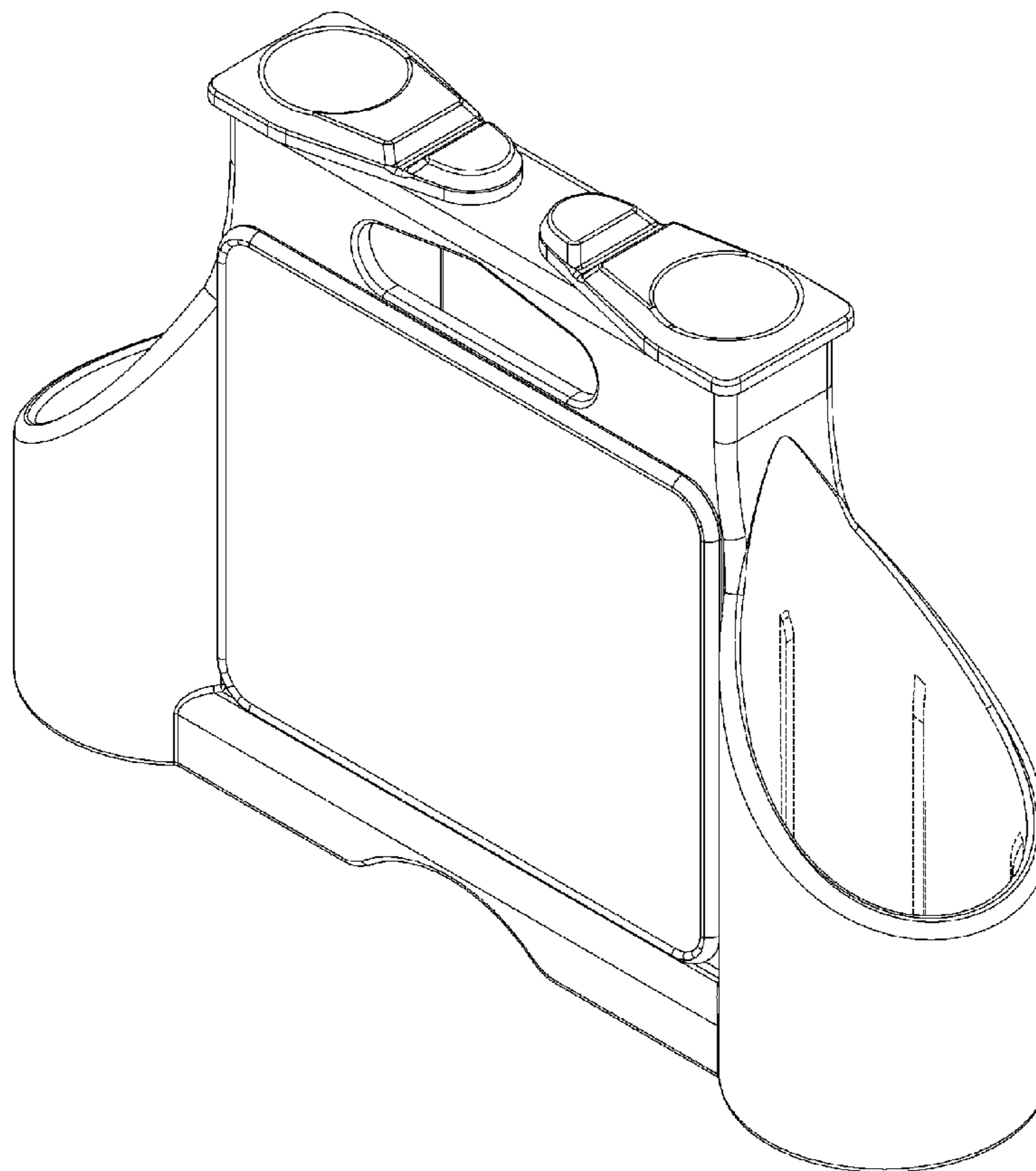


Fig. 1

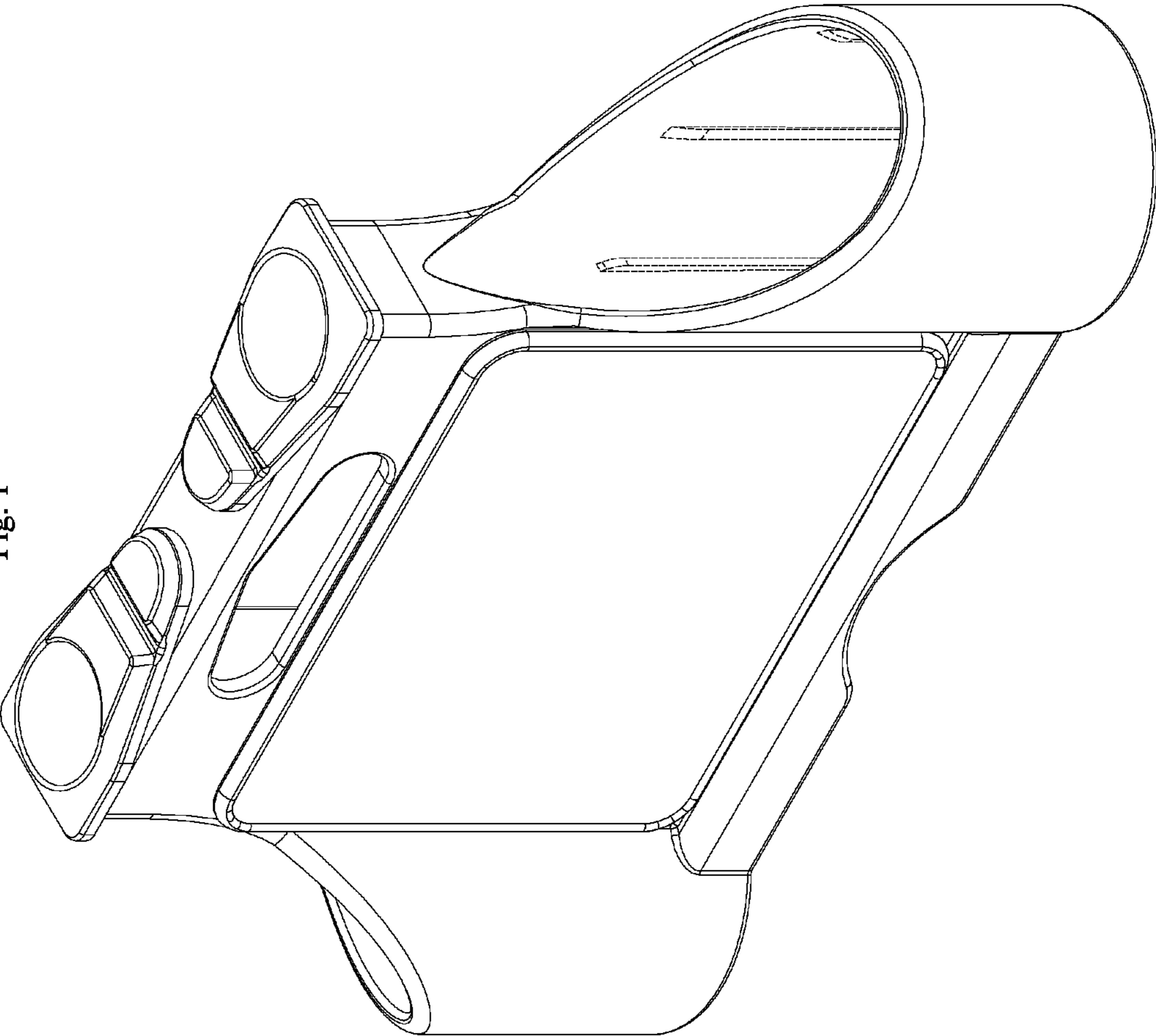


Fig. 2

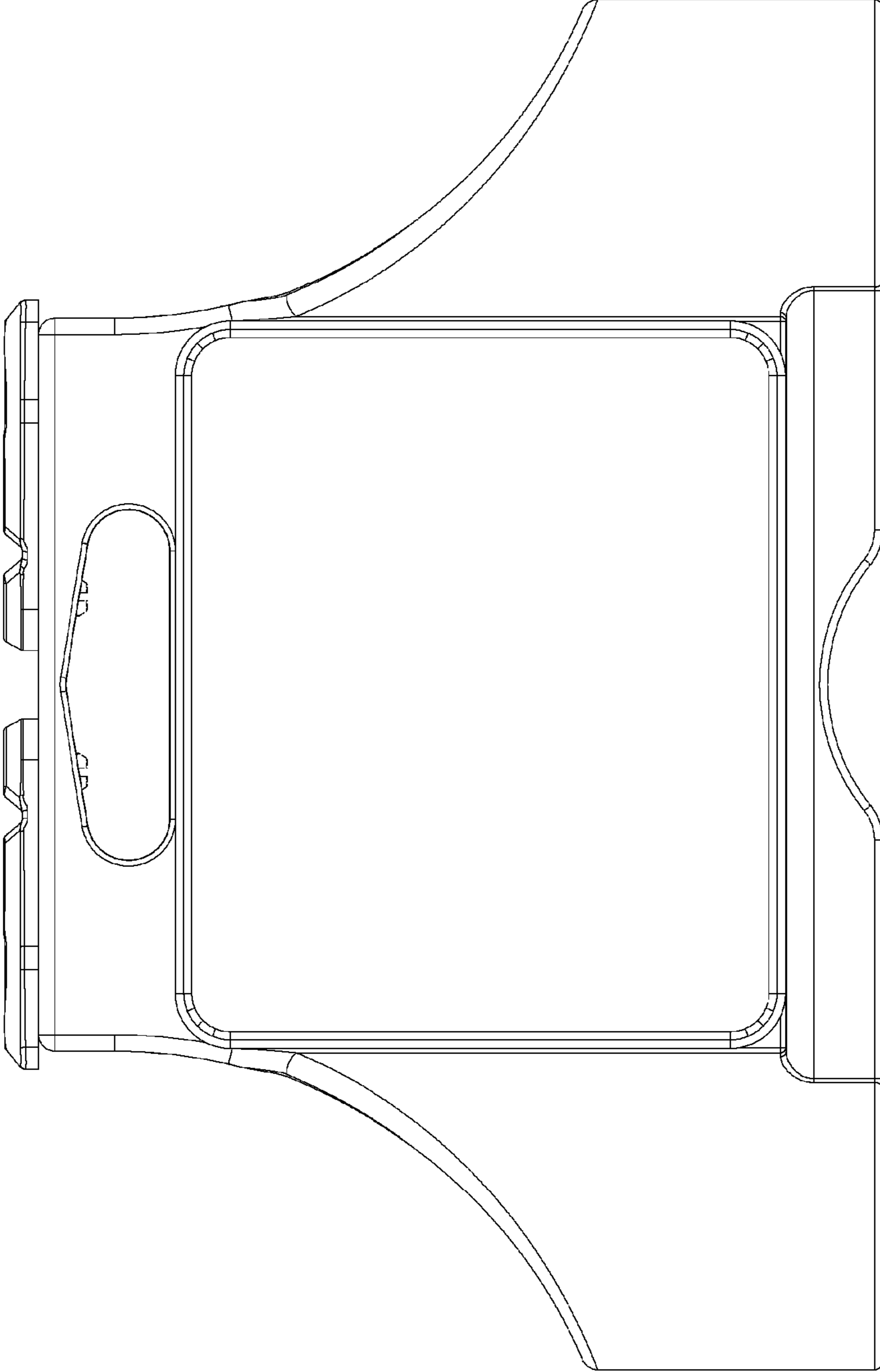


Fig. 3

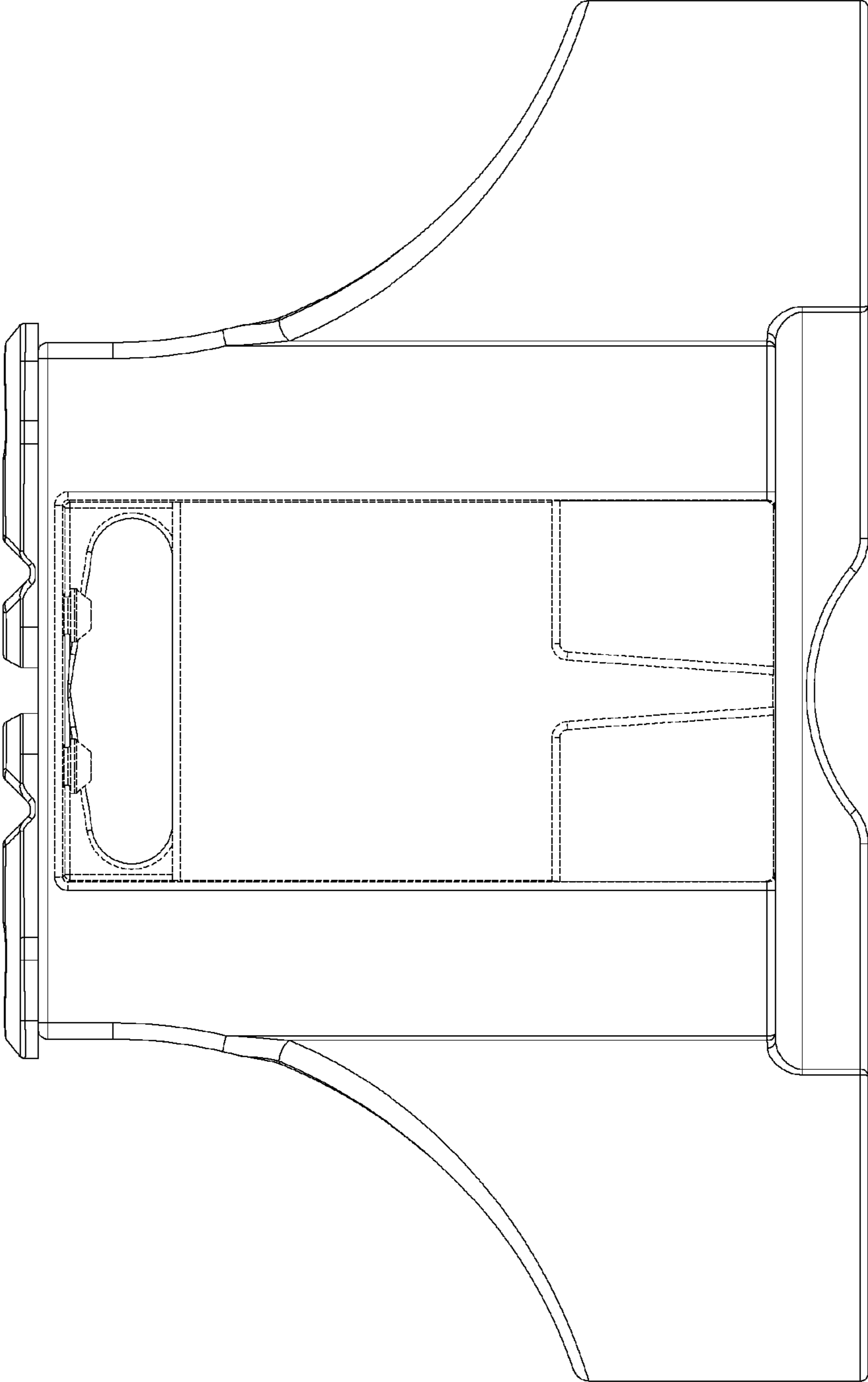


Fig. 4

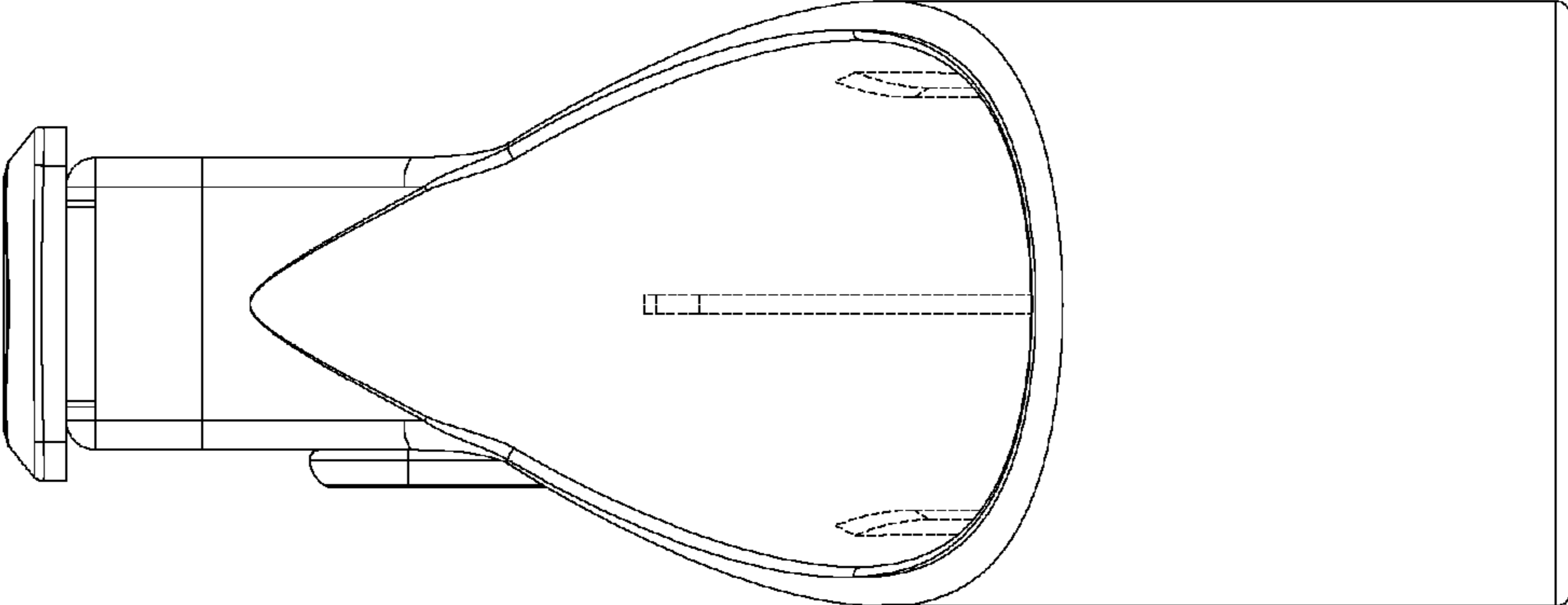


Fig. 5

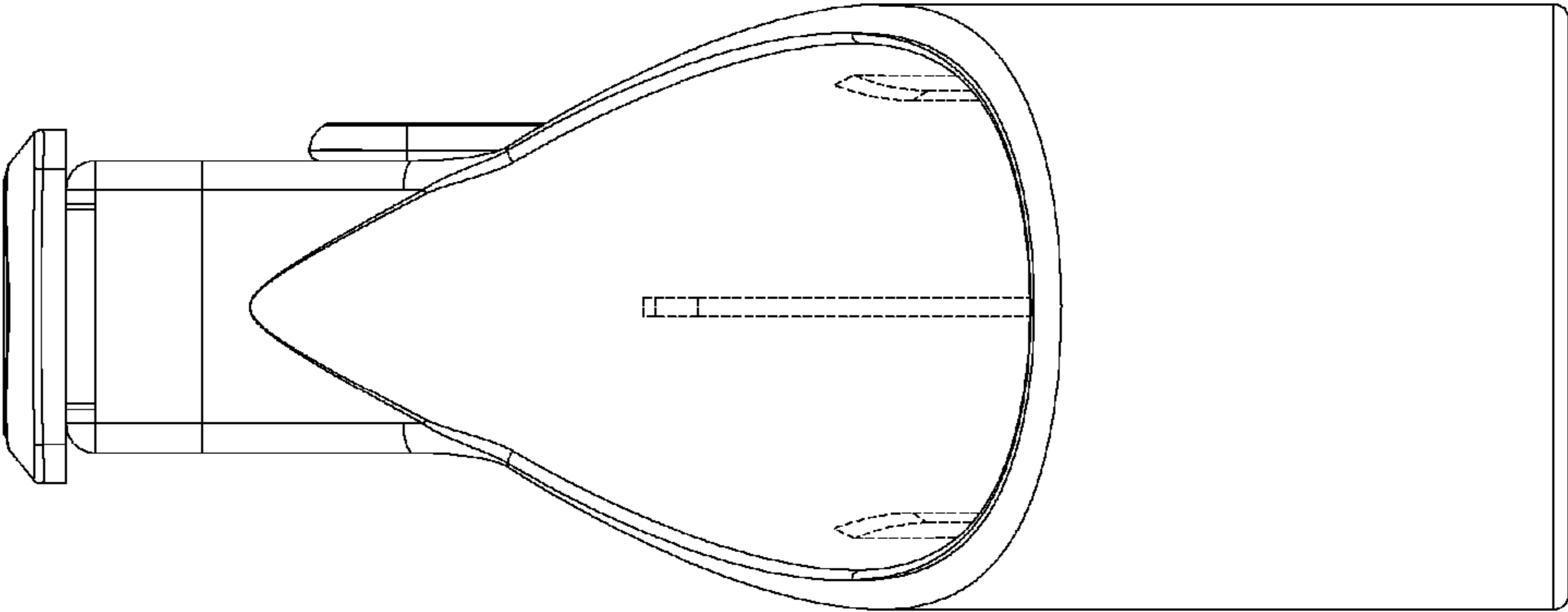


Fig. 6

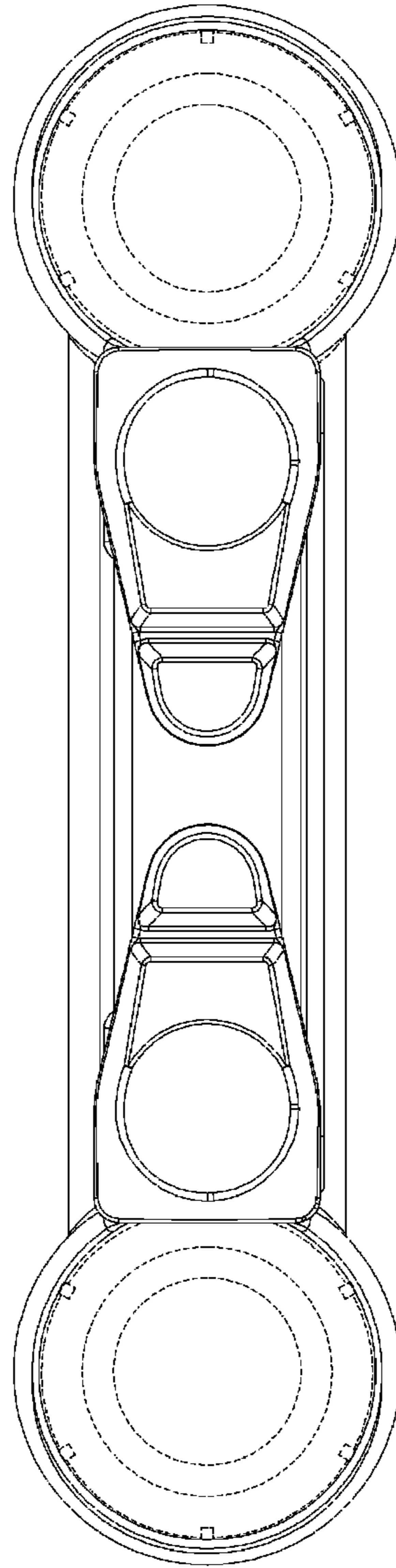


Fig. 7

