



US00D688960S

(12) **United States Design Patent**
Santos et al.

(10) **Patent No.:** **US D688,960 S**

(45) **Date of Patent:** **** Sep. 3, 2013**

(54) **PROXIMITY SENSOR HOUSING**

(56) **References Cited**

(71) Applicant: **Rockwell Automation Technologies, Inc.**, Mayfield Heights, OH (US)

U.S. PATENT DOCUMENTS

6,655,986 B2 * 12/2003 Kroll 439/534
D659,036 S * 5/2012 Madsen et al. D10/70

(72) Inventors: **Roberto Santos**, Hudson, MA (US);
James Jianhua Wang, Shanghai (CN);
Anthony J. Mancuso, Melrose, MA (US)

* cited by examiner

Primary Examiner — Antoine D Davis
(74) *Attorney, Agent, or Firm* — William R. Walbrun;
Viksnins Harris & Pady PLLP; John M. Miller

(73) Assignee: **Rockwell Automation Technologies, Inc.**, Mayfield Heights, OH (US)

(57) **CLAIM**

The original and ornamental design for a proximity sensor housing, as shown and described.

(**) Term: **14 Years**

DESCRIPTION

(21) Appl. No.: **29/436,058**

FIG. 1 is a perspective view of a proximity sensor housing in accordance with one or more embodiments.

(22) Filed: **Oct. 31, 2012**

FIG. 2 is a front elevational view of the proximity sensor housing of FIG. 1.

Related U.S. Application Data

(63) Continuation of application No. 13/360,367, filed on Jan. 27, 2012.

FIG. 3 is a back elevational view of the proximity sensor housing of FIG. 1.

(51) **LOC (9) Cl.** **10-04**

(52) **U.S. Cl.**
USPC **D10/70**

FIG. 4 is a first side view of the proximity sensor housing of FIG. 1.

(58) **Field of Classification Search**
USPC D10/46, 70; 250/221, 338.3, 340;
307/116, 117; 340/521, 527, 539.1, 539.13,
340/541, 567, 568.1, 7.51, 686.6

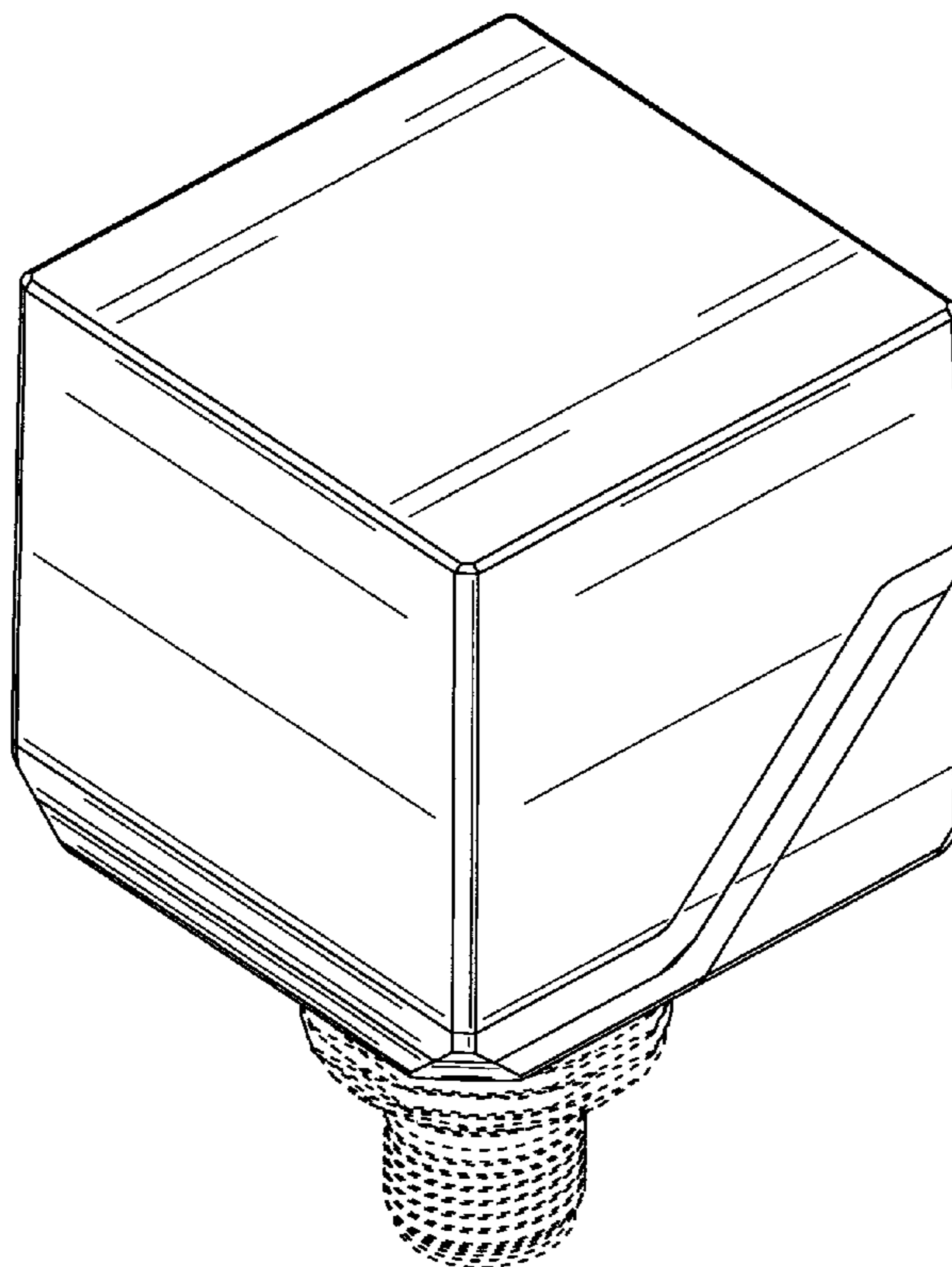
FIG. 5 is a top plan view of the proximity sensor housing of FIG. 1; and,

FIG. 6 is a bottom plan view of the proximity sensor housing of FIG. 1.

The broken lines are shown in the views for illustrative purposes only, for form no part of the claimed design. The second side view is a mirror image of the first side view.

See application file for complete search history.

1 Claim, 6 Drawing Sheets



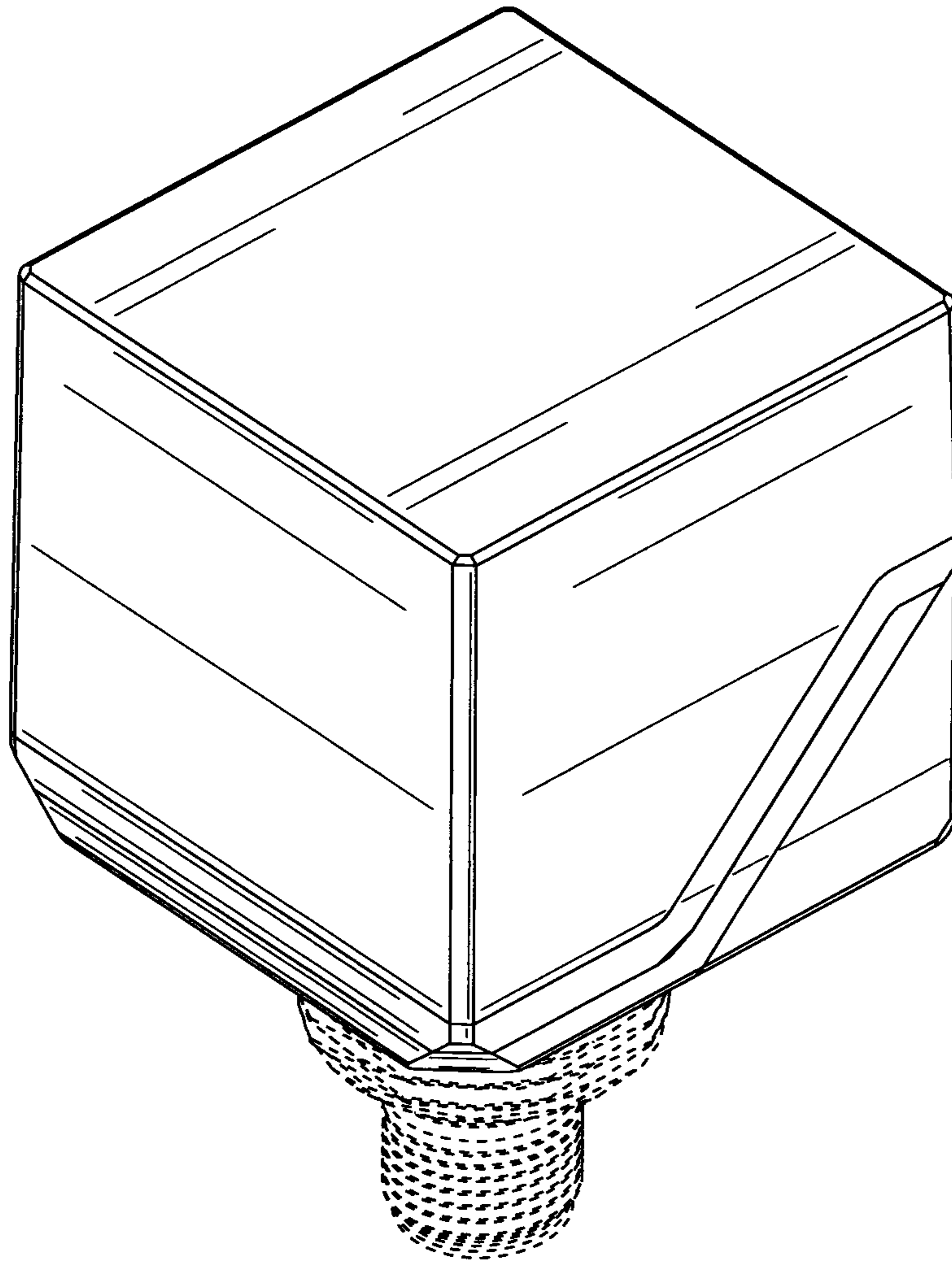


FIG. 1

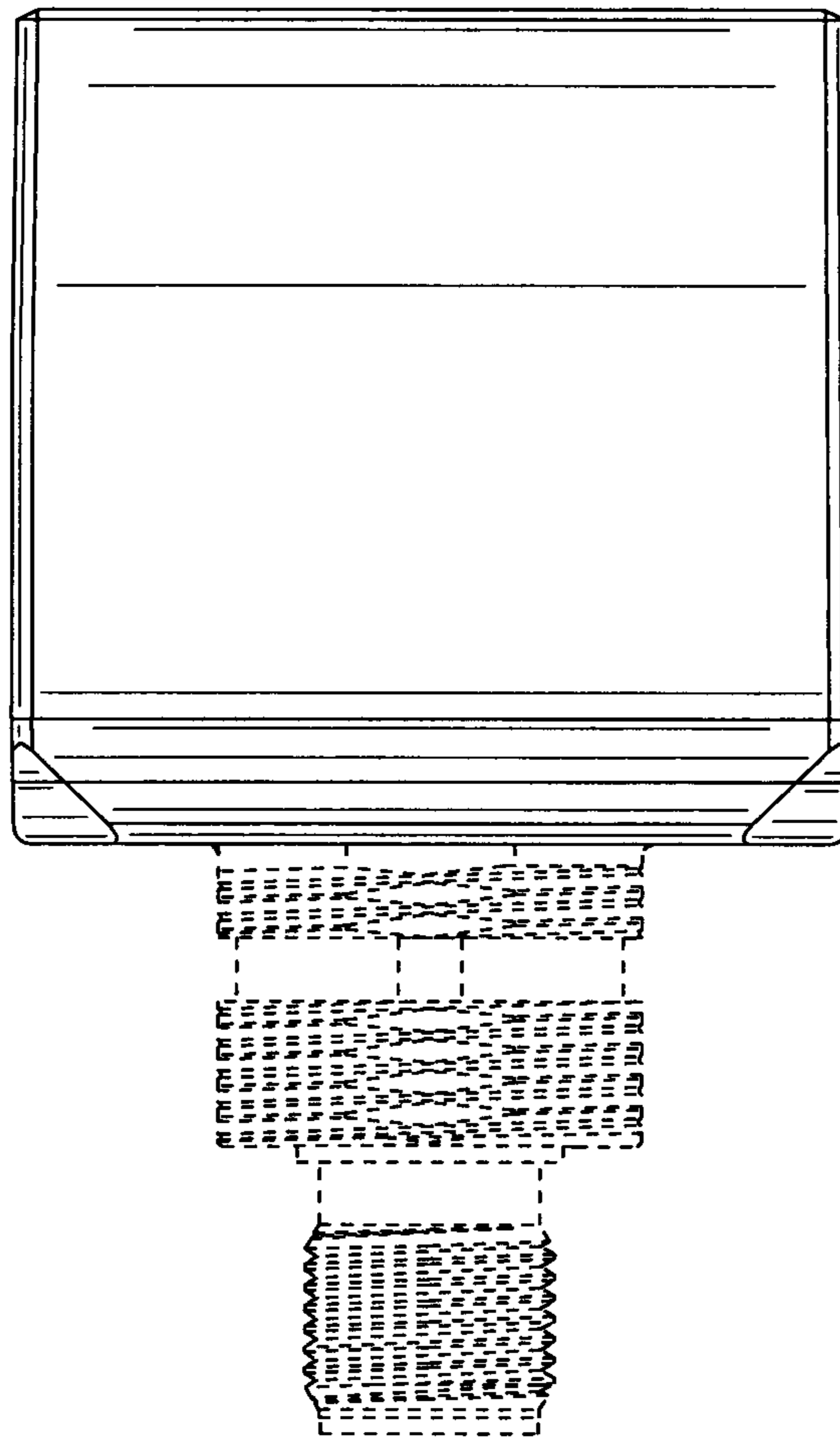


FIG. 2

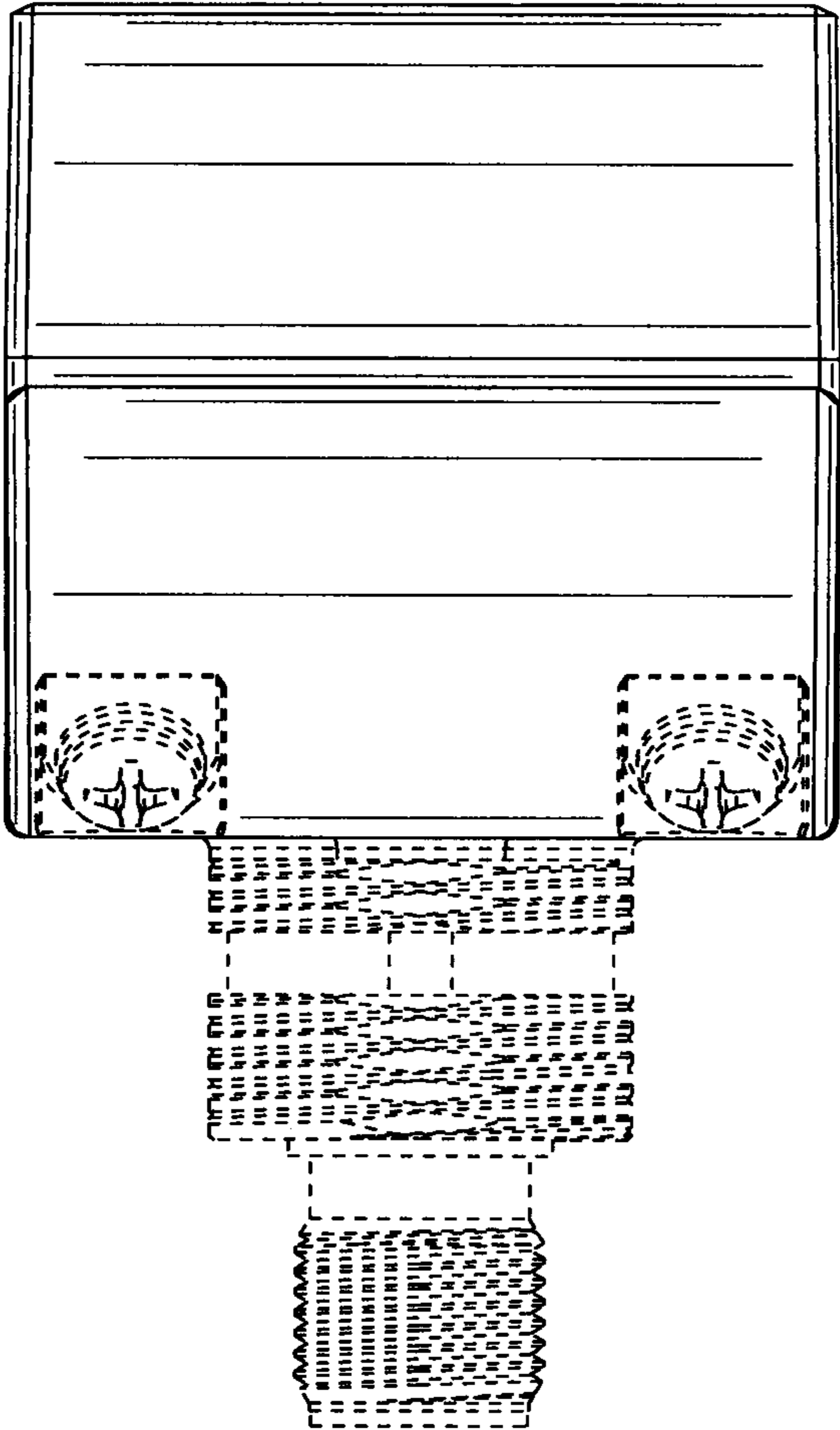


FIG. 3

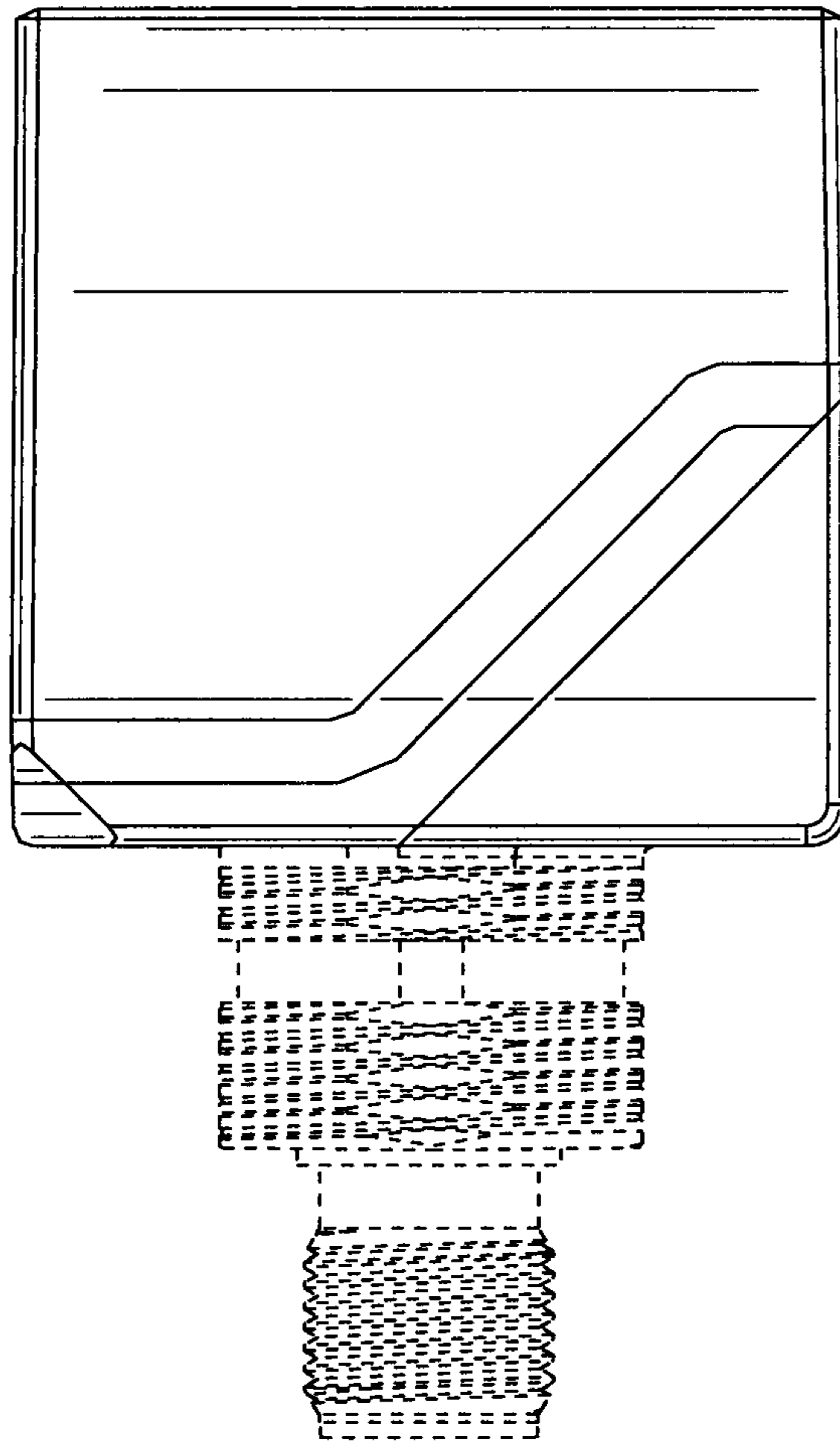


FIG. 4

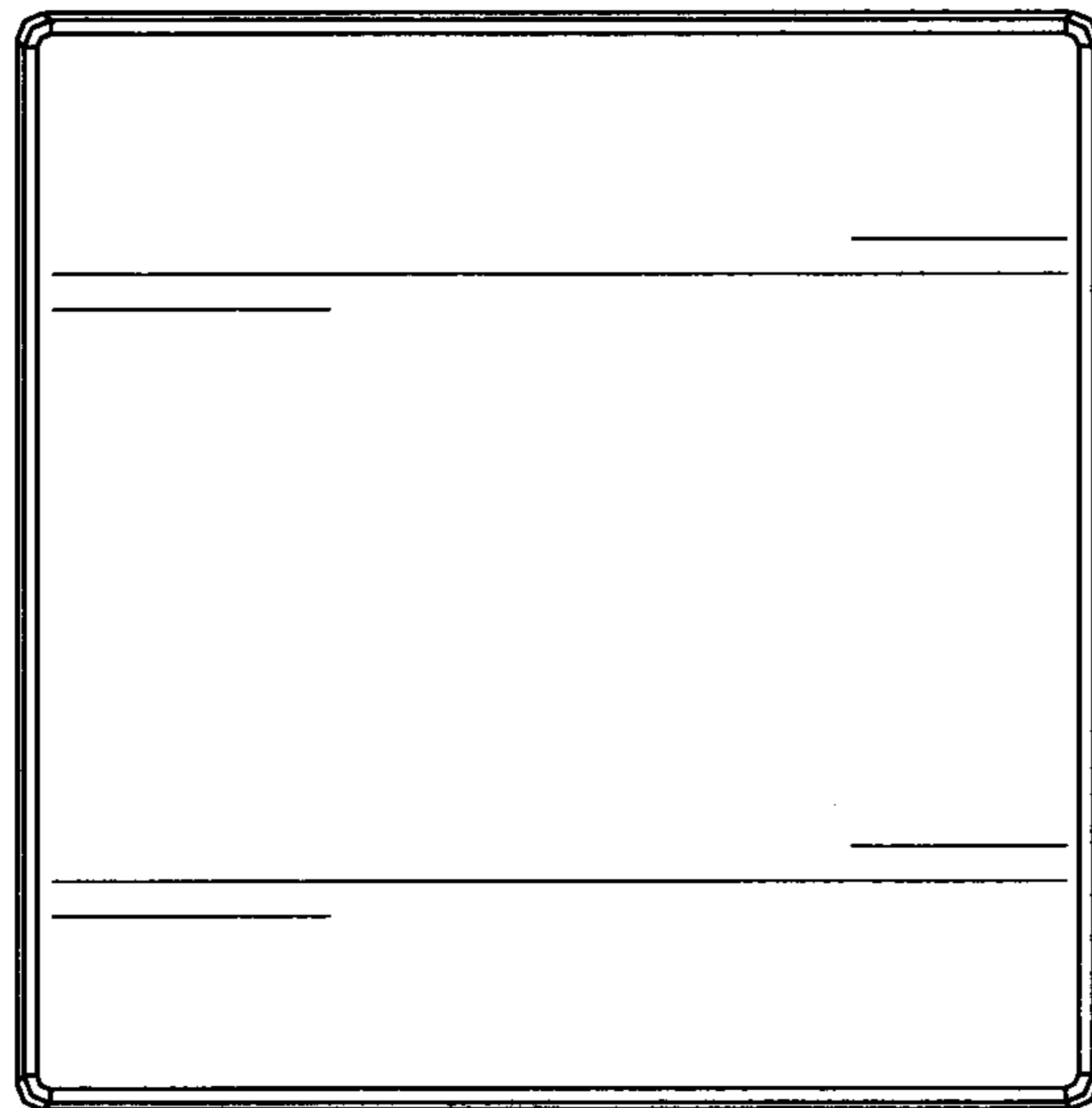


FIG. 5

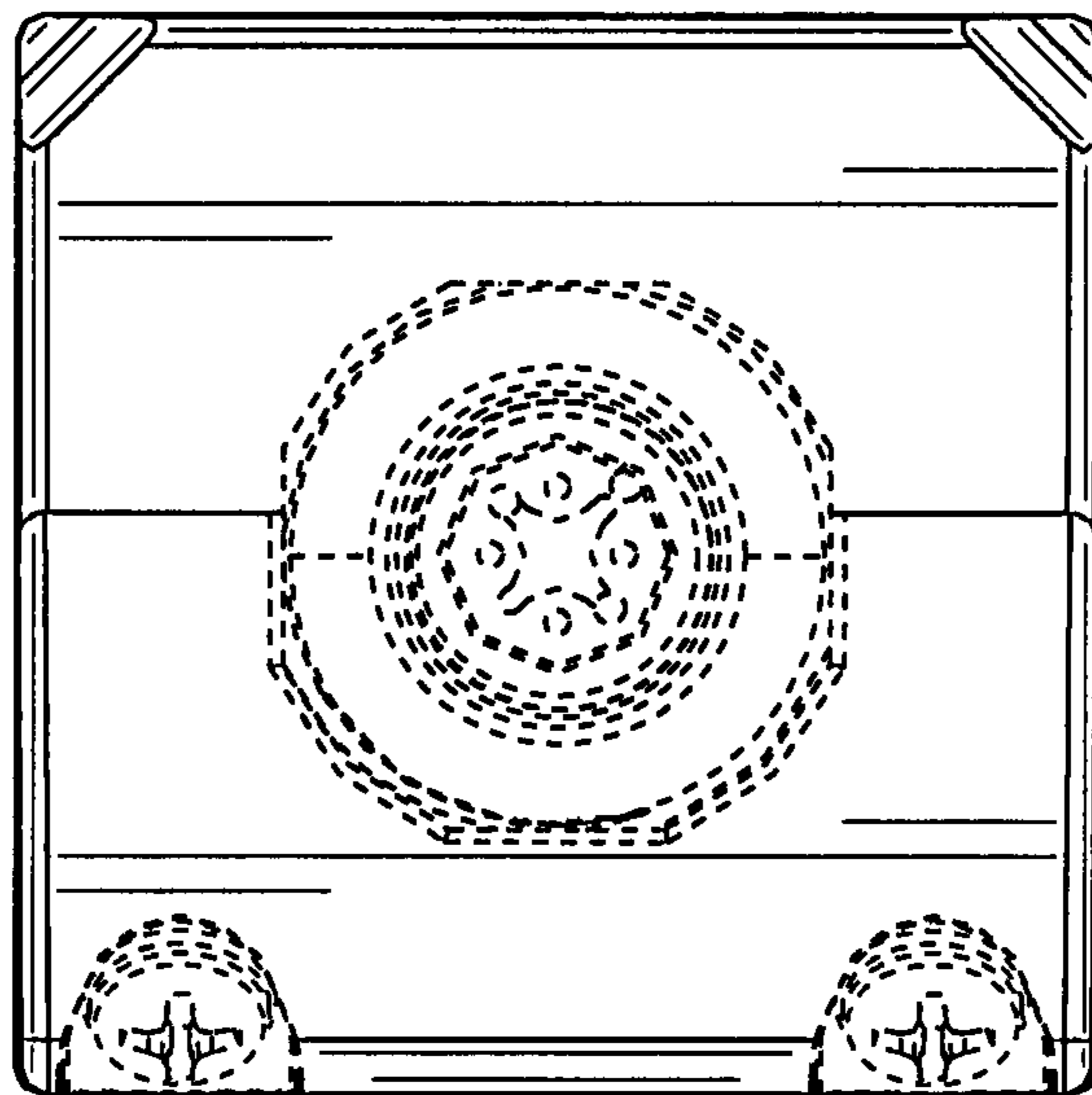


FIG. 6