



US00D688957S

(12) **United States Design Patent**
Rossano

(10) **Patent No.:** **US D688,957 S**
(45) **Date of Patent:** **** Sep. 3, 2013**

(54) **POOL THERMOMETER**

5,152,610 A * 10/1992 Hallett 374/156
D389,754 S * 1/1998 Skubala D10/57
D528,929 S * 9/2006 Oliver, Jr. D10/57

(75) Inventor: **Martin Rossano**, Montreal (CA)

* cited by examiner

(73) Assignee: **CPA Pool Products, Inc.**, Quebec (CA)

Primary Examiner — Antoine D Davis

(**) Term: **14 Years**

(74) *Attorney, Agent, or Firm* — Baker & Rannells, PA

(21) Appl. No.: **29/423,777**

(57) **CLAIM**

(22) Filed: **Jun. 5, 2012**

The ornamental design for a pool thermometer, as shown and described.

(51) **LOC (9) Cl.** **10-04**

DESCRIPTION

(52) **U.S. Cl.**

USPC **D10/57**

(58) **Field of Classification Search**

USPC D10/57; 374/156, 141, 208, E1.011,
374/E1.018, E13.001, 161, E11.022; 349/58,
349/199; 210/85

See application file for complete search history.

FIG. 1 is a perspective view of a pool thermometer, showing my new design;

FIG. 2 is a front elevational view thereof;

FIG. 3 is a rear elevational view thereof;

FIG. 4 is a right side elevational view thereof;

FIG. 5 is a left side elevational view thereof;

FIG. 6 is a top plan view thereof; and,

FIG. 7 is a bottom plan view thereof.

The dotted lines are for illustrative purposes only, forming no part of the claimed design.

(56) **References Cited**

U.S. PATENT DOCUMENTS

4,435,095 A * 3/1984 Jones et al. 374/194
4,738,549 A * 4/1988 Plimpton 374/208

1 Claim, 7 Drawing Sheets

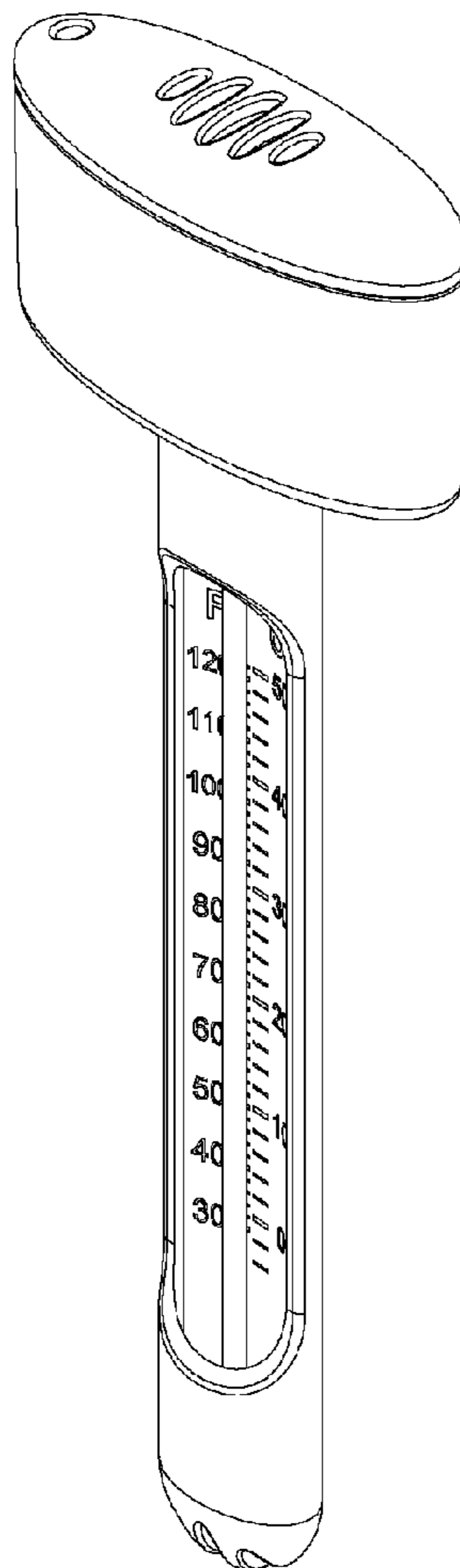


Fig. 1

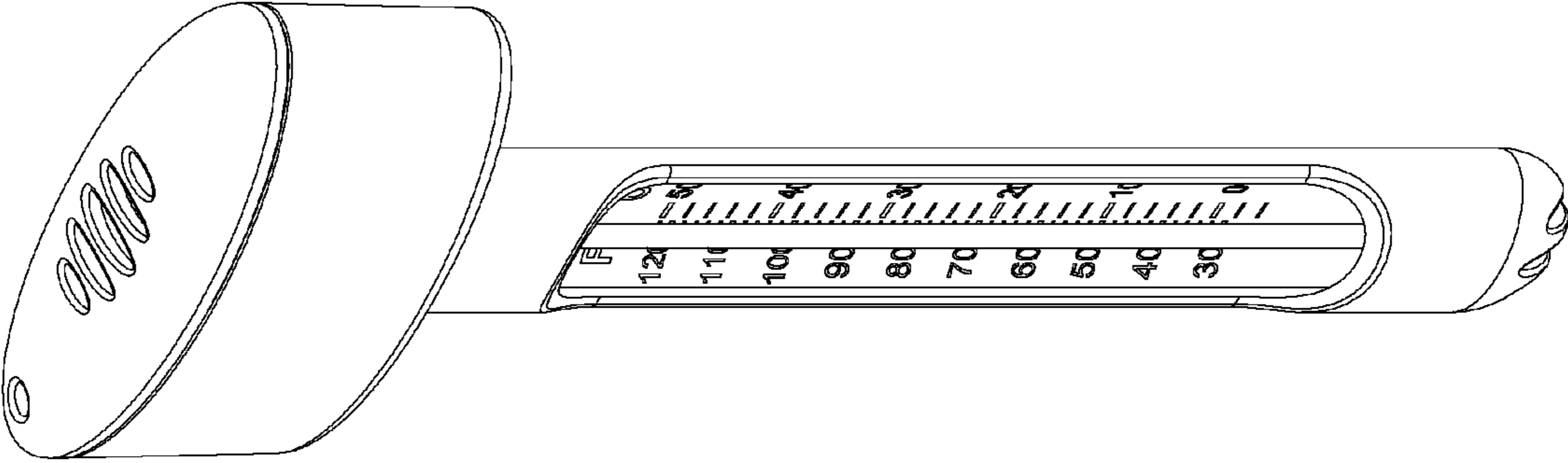


Fig. 2

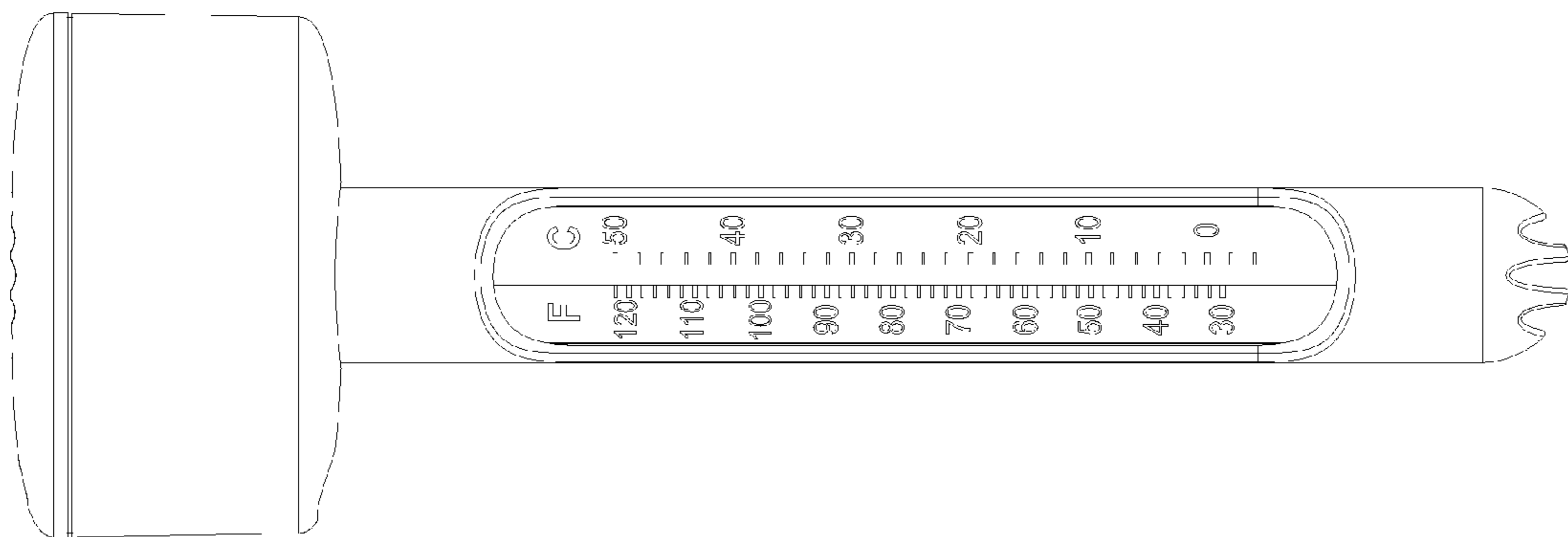


Fig. 3



Fig. 4

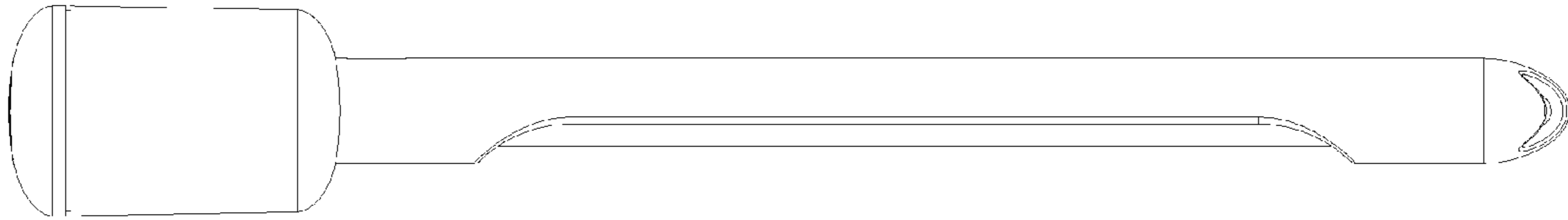


Fig. 5

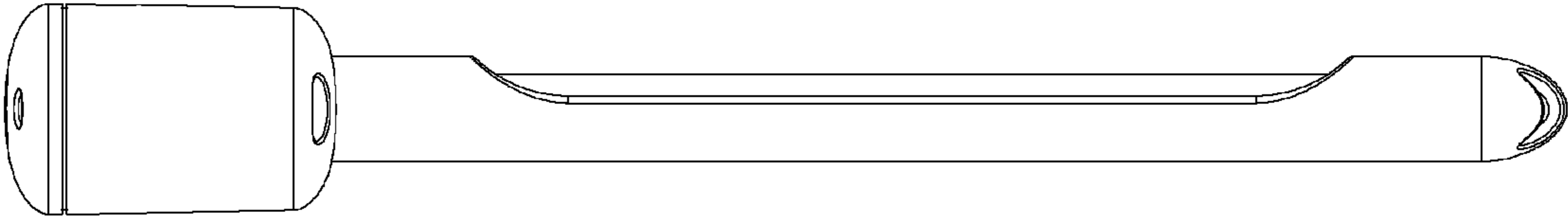


Fig. 6

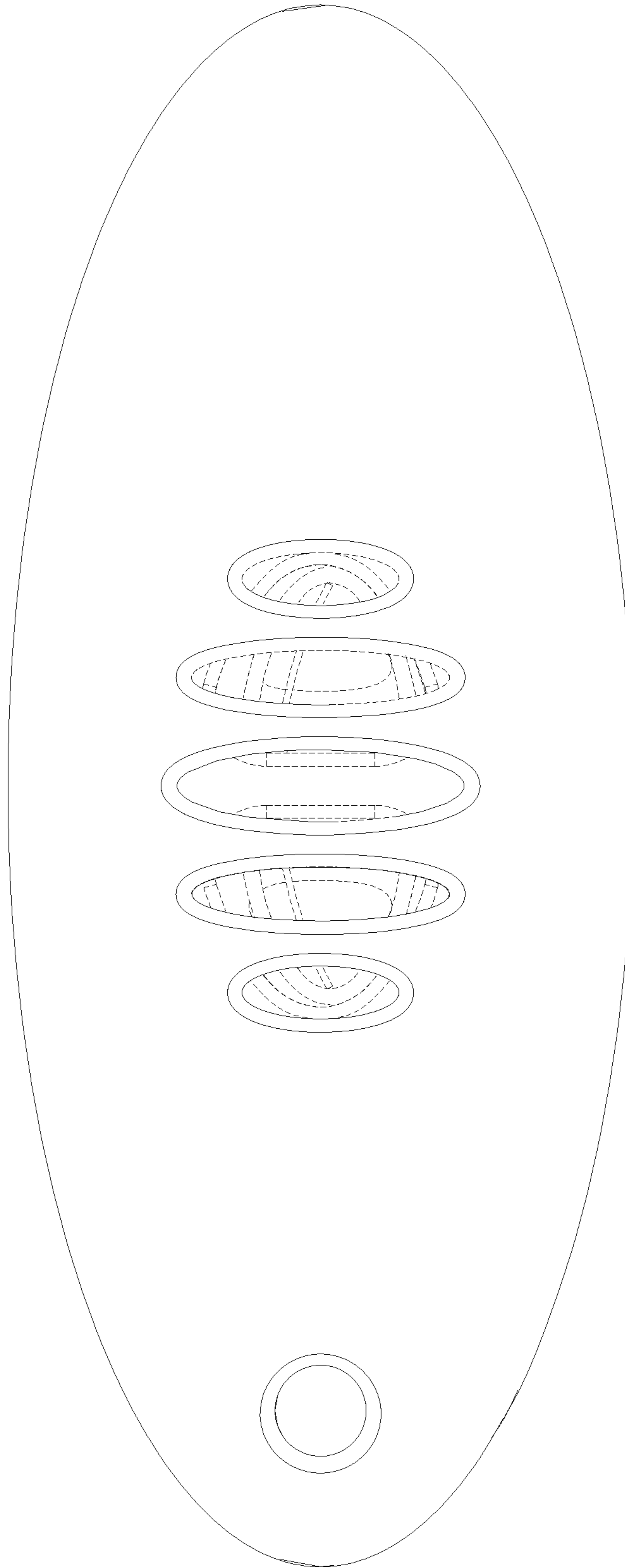


Fig. 7

