



US00D688956S

(12) **United States Design Patent**  
**Anklesaria**

(10) **Patent No.:** **US D688,956 S**

(45) **Date of Patent:** **\*\* Sep. 3, 2013**

(54) **MOISTURE SENSOR ALARM BOX WITH CLIP**

D620,818 S \* 8/2010 Chen ..... D10/52

\* cited by examiner

(71) Applicant: **Kaiomars P. Anklesaria**, Savannah, GA (US)

*Primary Examiner* — Antoine D Davis

(74) *Attorney, Agent, or Firm* — G. Brian Pingel; Camille L. Urban; David M. Breiner

(72) Inventor: **Kaiomars P. Anklesaria**, Savannah, GA (US)

(57) **CLAIM**

The ornamental design for a moisture sensor alarm box with clip, as shown and described.

(\*\*) Term: **14 Years**

**DESCRIPTION**

(21) Appl. No.: **29/437,050**

(22) Filed: **Nov. 13, 2012**

(51) **LOC (9) Cl.** ..... **10-04**

(52) **U.S. Cl.**  
USPC ..... **D10/56; D10/53**

(58) **Field of Classification Search**  
USPC ..... D10/52, 53, 56; 73/23.2, 23.4, 29.01, 73/31.01, 31.05, 73-75, 170.16, 170.17, 73/170.21, 170.26, 335.04; 200/61.04; 324/664, 658, 694; 338/35; 340/500, 501, 340/506, 517, 521, 539.11, 539.26, 539.27, 340/539.28, 545.2, 546, 577, 580, 584, 586, 340/601-605; 702/150

FIG. 1 is a front-side perspective view of a moisture sensor alarm box with clip showing my new design; FIG. 2 is a left-side elevational view thereof; FIG. 3 is a right-side elevational view thereof; FIG. 4 is a top plan view thereof; FIG. 5 is a bottom view thereof; FIG. 6 is a back-side perspective view thereof; FIG. 7 is a rear-end elevational view thereof; FIG. 8 is a rear-end elevational view of the alarm box of FIG. 1 without clip; FIG. 9 is a front elevational view of the clip of FIG. 6; FIG. 10 is a rear-end elevational view of the clip of FIG. 6; FIG. 11 is a side elevational view of the clip of FIG. 6 with the opposite side of the clip being a mirror image of the side shown; FIG. 12 is a top plan view of the clip of FIG. 6; and, FIG. 13 is a bottom view of the clip of FIG. 6.

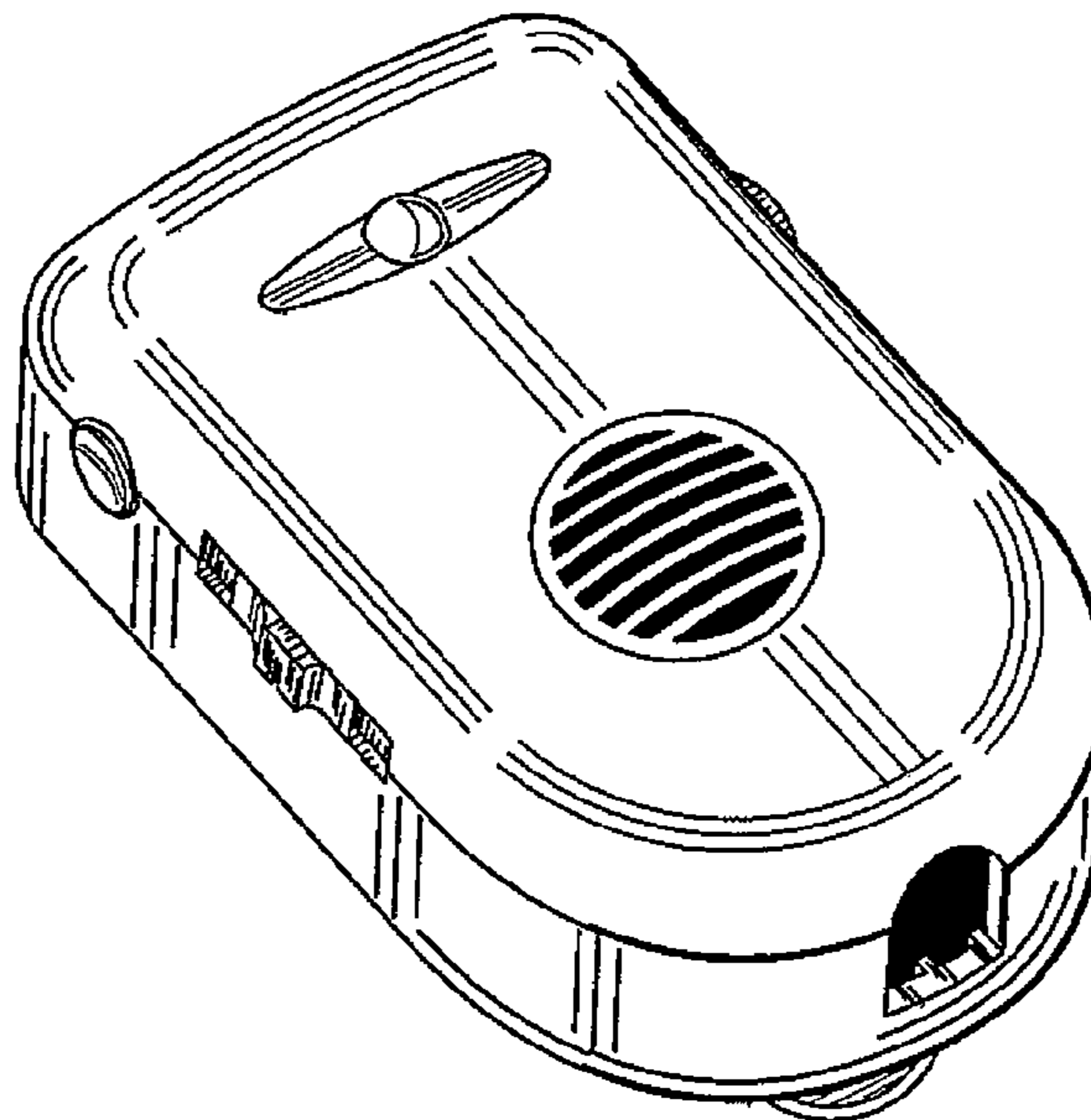
See application file for complete search history.

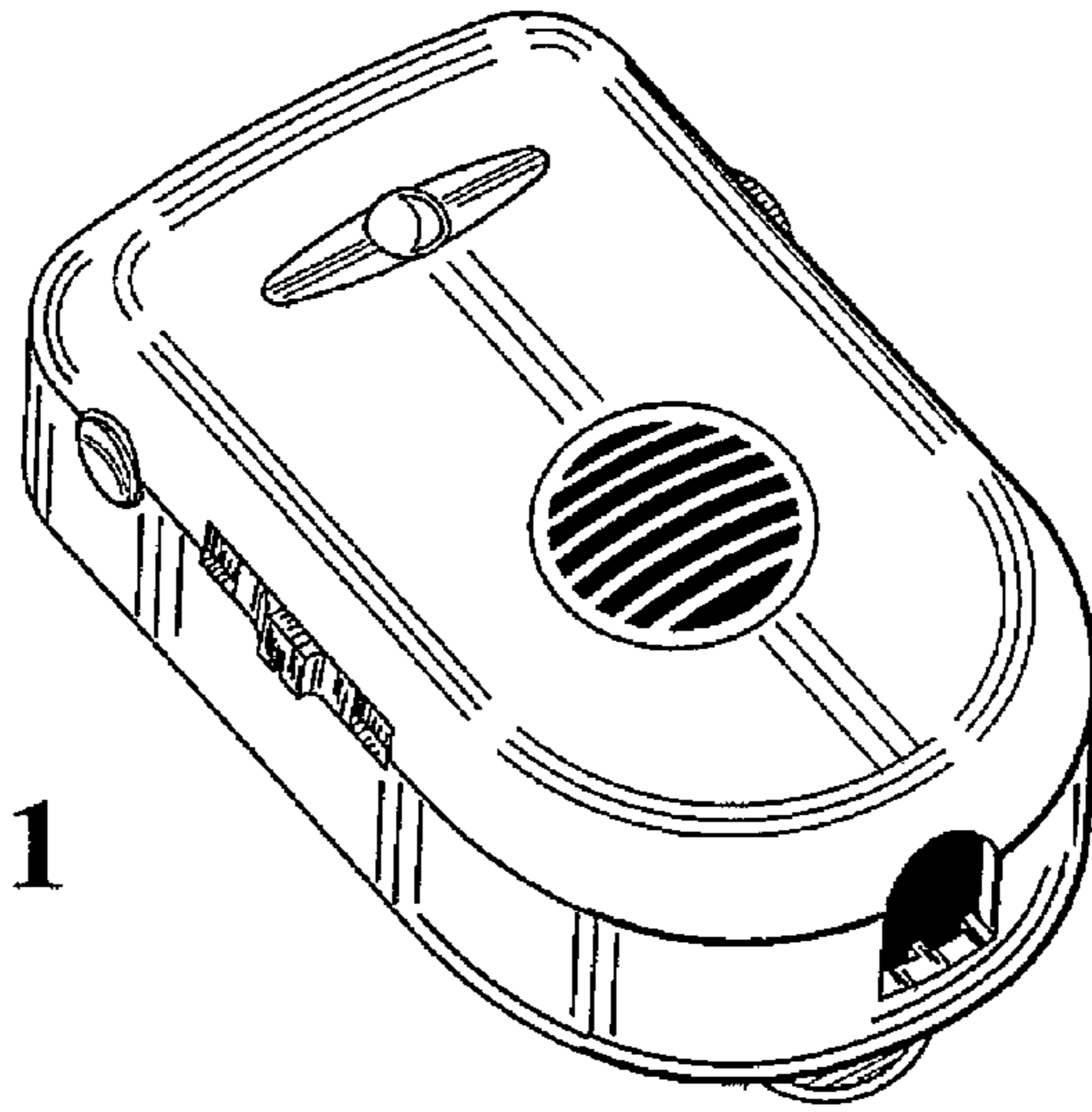
(56) **References Cited**

**U.S. PATENT DOCUMENTS**

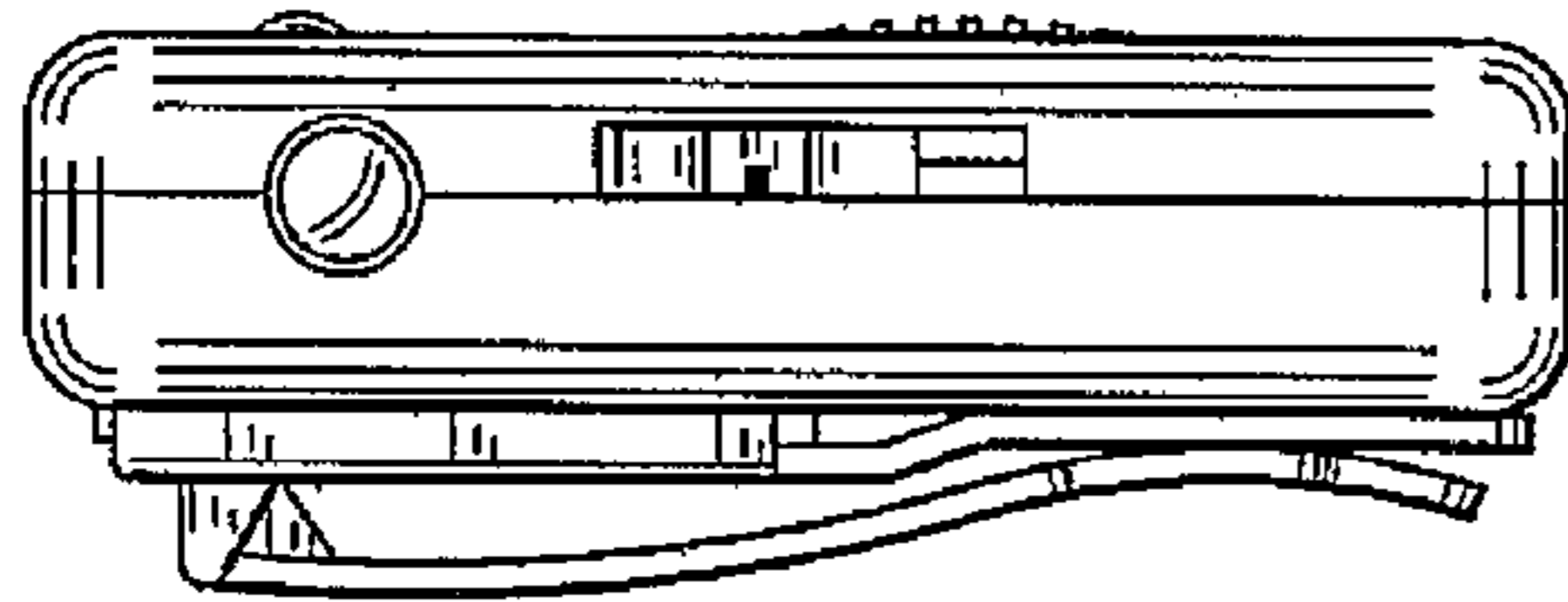
D416,201 S \* 11/1999 Pinchuk et al. .... D10/2

**1 Claim, 2 Drawing Sheets**

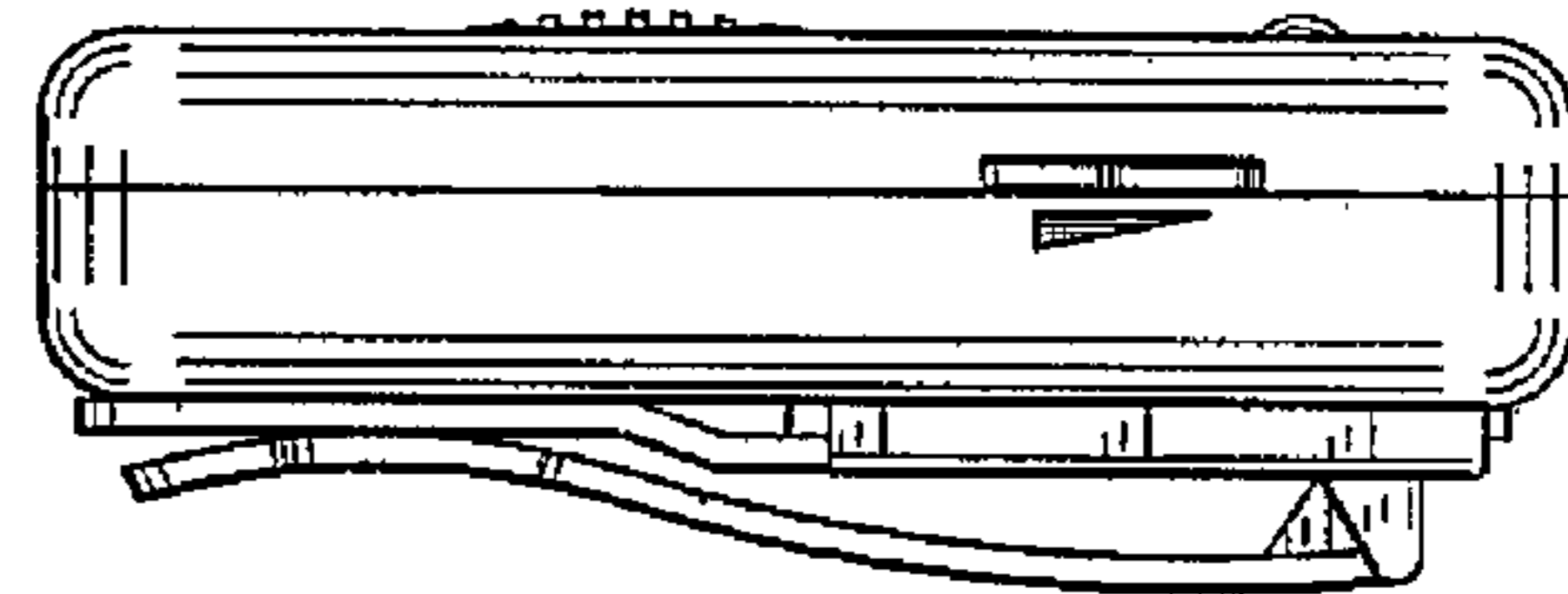




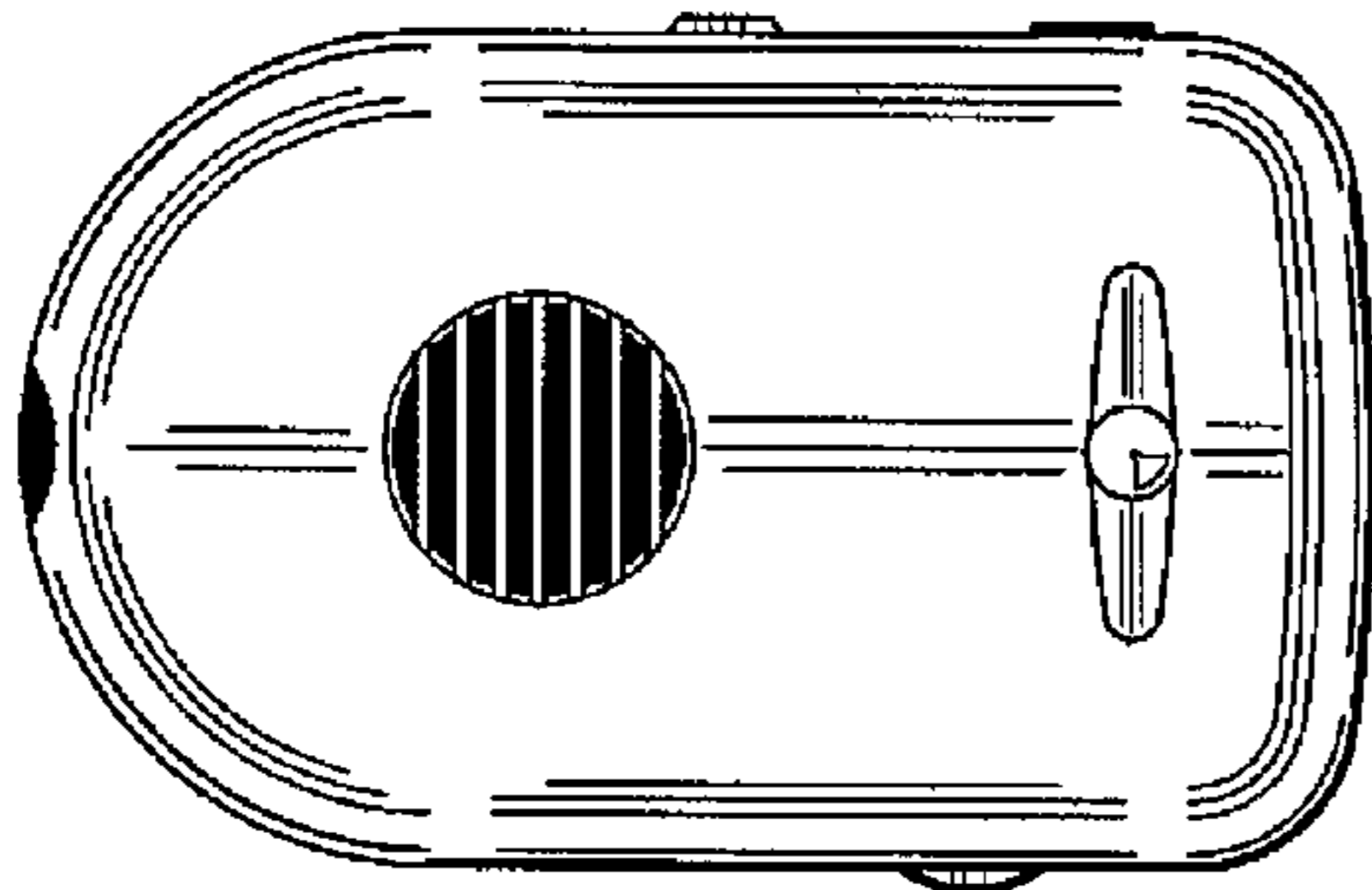
**Fig. 1**



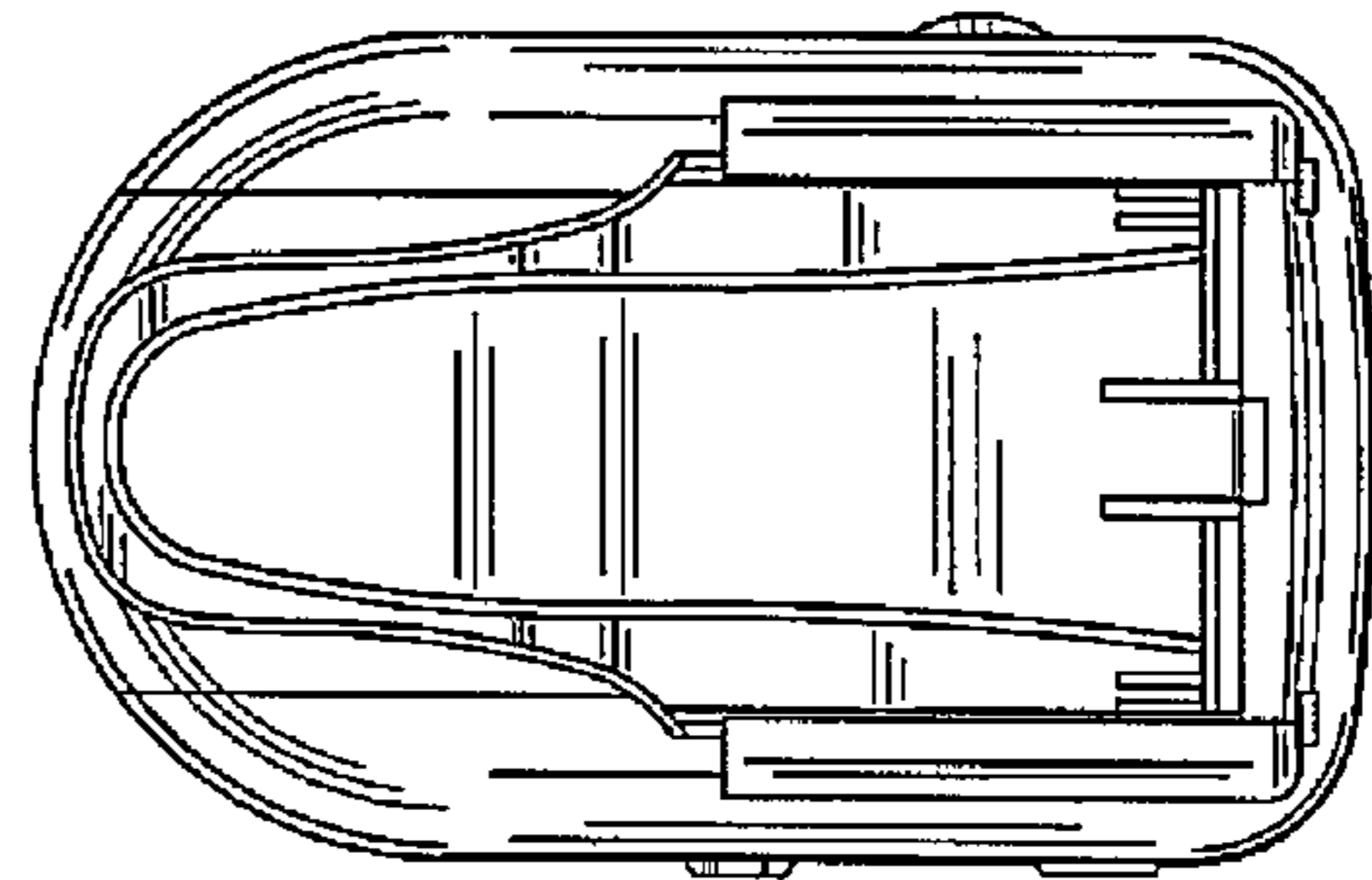
**Fig. 2**



**Fig. 3**

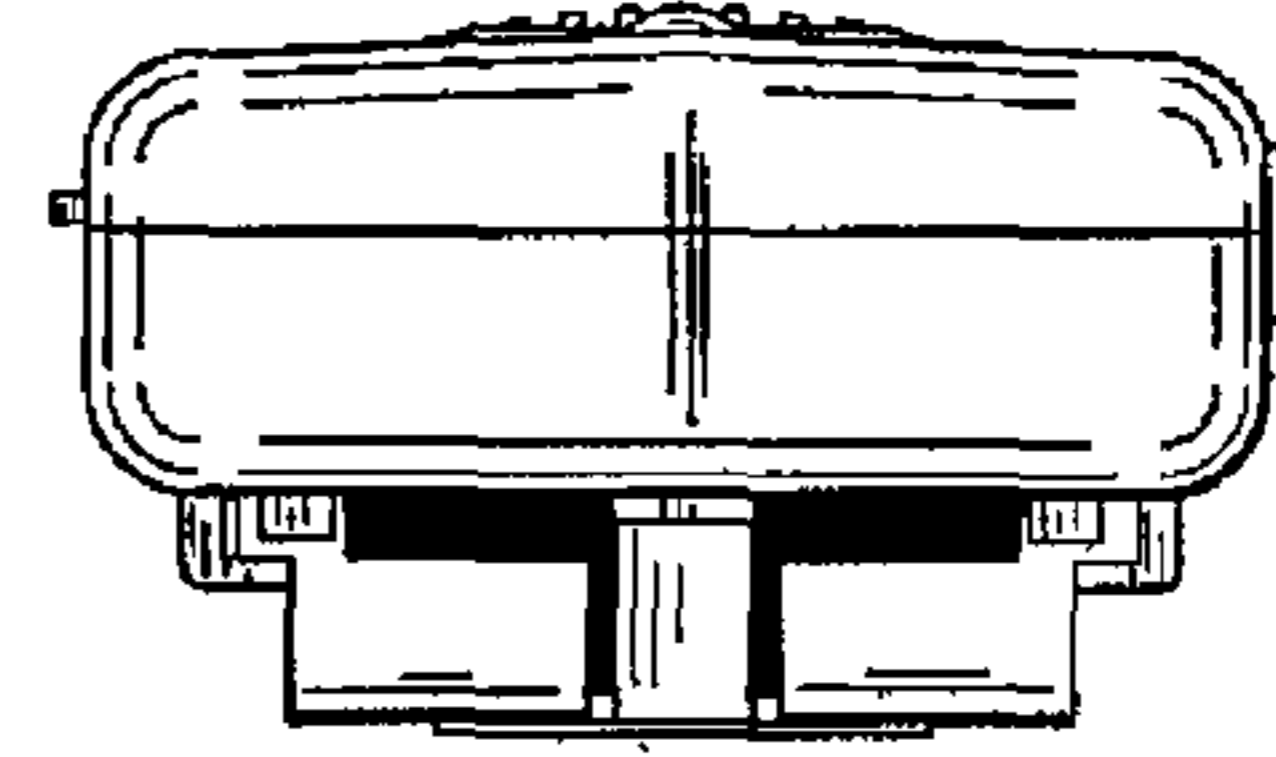
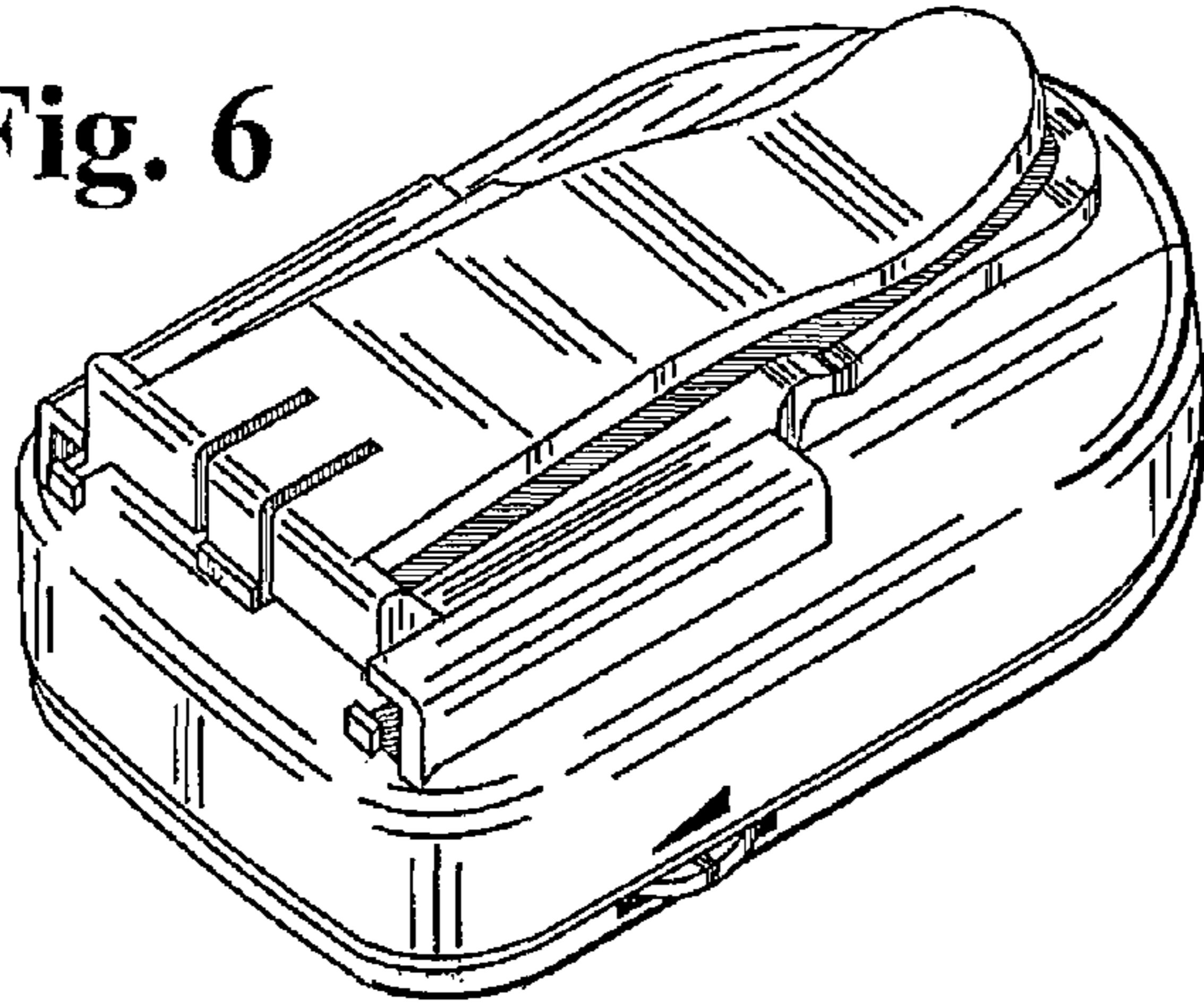


**Fig. 4**

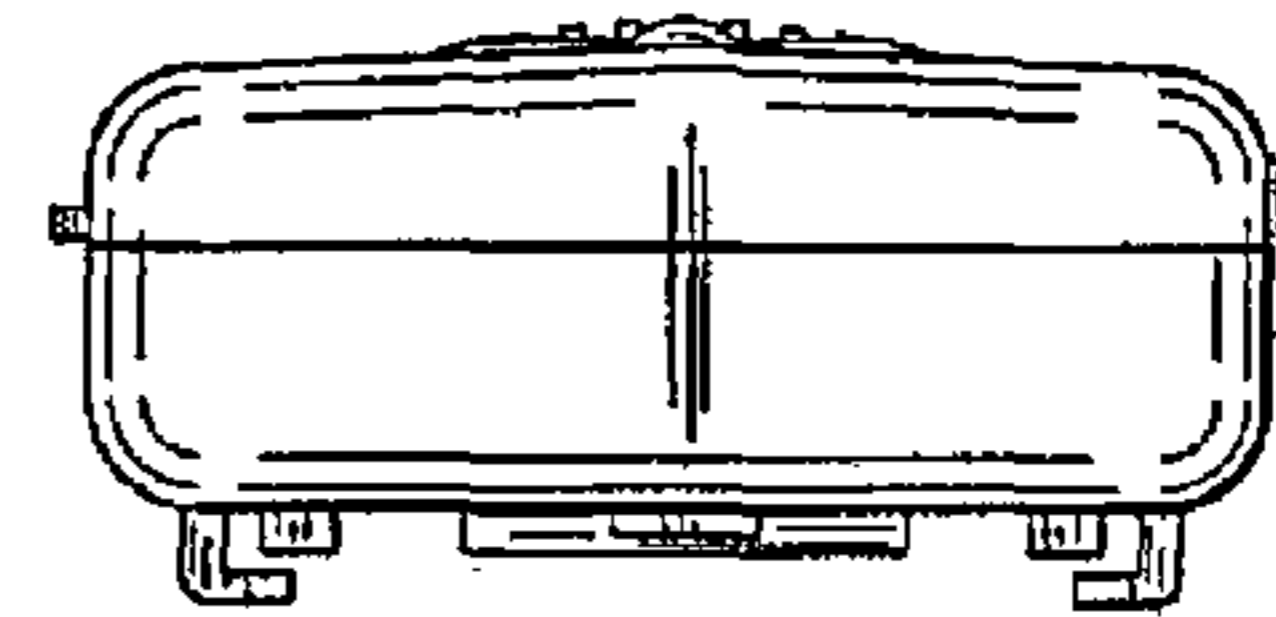


**Fig. 5**

**Fig. 6**



**Fig. 7**



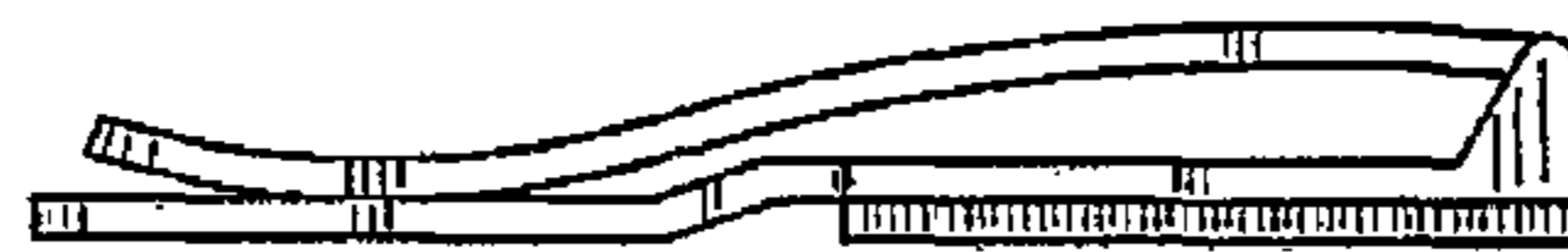
**Fig. 8**



**Fig. 9**

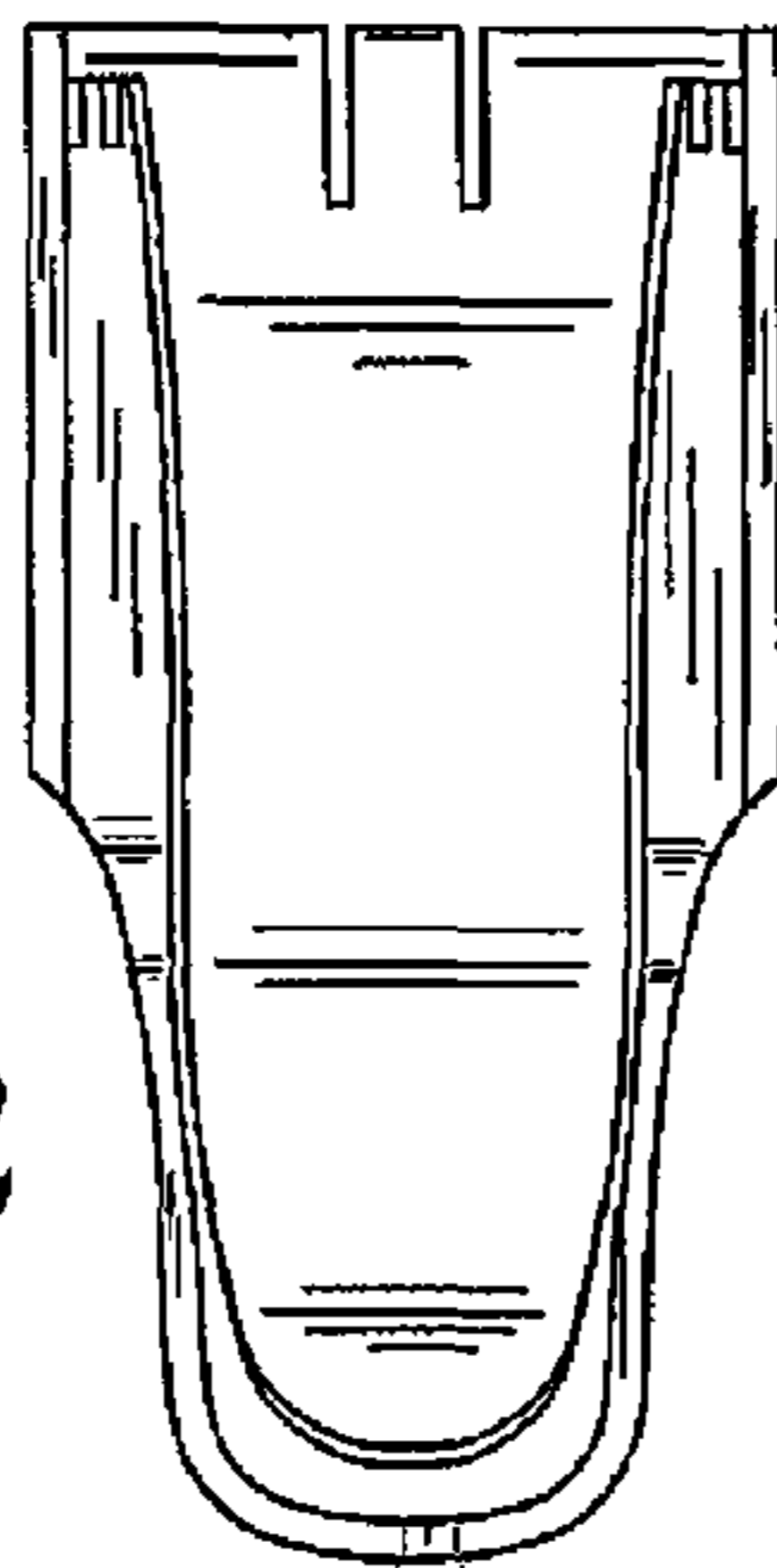


**Fig. 10**



**Fig. 11**

**Fig. 12**



**Fig. 13**

