



US00D688955S

(12) **United States Design Patent**
Deligiannis et al.

(10) **Patent No.:** **US D688,955 S**
(45) **Date of Patent:** **** Sep. 3, 2013**

- (54) **THERMOSTAT UNIT**
- (75) Inventors: **Jorge Deligiannis**, Ottawa (CA);
Michael S. McGuire, Ottawa (CA);
Niraj Bhargava, Ottawa (CA)
- (73) Assignee: **Energate Inc**, Ottawa, ON (CA)
- (**) Term: **14 Years**
- (21) Appl. No.: **29/411,608**
- (22) Filed: **Jan. 24, 2012**
- (51) **LOC (9) Cl.** **10-04**
- (52) **U.S. Cl.**
USPC **D10/50**
- (58) **Field of Classification Search**
USPC D10/49-50; D13/162; 55/270, 274,
55/DIG. 7, 34; 62/176.6, 125-130, 78, 180,
62/186; 73/23.2, 23.34, 31.01, 31.02, 431,
73/170.16-170.19, 170.21-170.25, 863.12,
73/29, 29.02, 335.01-335.14; 236/46 R,
236/47, 94, 44 C, 44 R, 49.3, 44 A, 96;
337/112, 327, 360; 340/602, 627, 632, 634;
361/346; 364/141, 146, 147, 188, 420, 557;
454/229, 239, 256, 257, 258; 700/18, 159,
700/181, 278
See application file for complete search history.

(56) **References Cited**

| U.S. PATENT DOCUMENTS | | | |
|-----------------------|-----|--------|---------------------------|
| 5,326,027 | A | 7/1994 | Sulfstede |
| 6,208,263 | B1 | 3/2001 | Strand |
| 6,373,376 | B1 | 4/2002 | Adams et al. |
| 6,448,901 | B1 | 9/2002 | Adams et al. |
| 6,504,580 | B1 | 1/2003 | Thompson et al. |
| D496,592 | S | 9/2004 | Svennberg |
| D506,150 | S | 6/2005 | Backlund et al. |
| D506,151 | S | 6/2005 | Roher et al. |
| D506,687 | S * | 6/2005 | Takach et al. D10/50 |

| | | | |
|-----------|----|---------|------------------|
| D507,976 | S | 8/2005 | Roher et al. |
| 6,926,076 | B2 | 8/2005 | Blomgren |
| D509,151 | S | 9/2005 | Takach et al. |
| D516,925 | S | 3/2006 | Roher et al. |
| D516,926 | S | 3/2006 | Roher et al. |
| D518,744 | S | 4/2006 | Rosen |
| D520,386 | S | 5/2006 | Takach et al. |
| D520,884 | S | 5/2006 | Simon et al. |
| D520,885 | S | 5/2006 | Takach et al. |
| D525,154 | S | 7/2006 | Moore |
| D525,541 | S | 7/2006 | Barton et al. |
| 7,088,221 | B2 | 8/2006 | Chan |
| D535,572 | S | 1/2007 | Takach et al. |
| D539,676 | S | 4/2007 | Hedderich et al. |
| D556,061 | S | 11/2007 | Rosen |
| D556,608 | S | 12/2007 | Rhodes |
| D556,609 | S | 12/2007 | Rhodes |
| RE40,190 | E | 4/2008 | Takach et al. |
| D566,597 | S | 4/2008 | Schneor |

(Continued)

Primary Examiner — Antoine D Davis

(74) *Attorney, Agent, or Firm* — Gowling, Lafleur & Henderson LLP

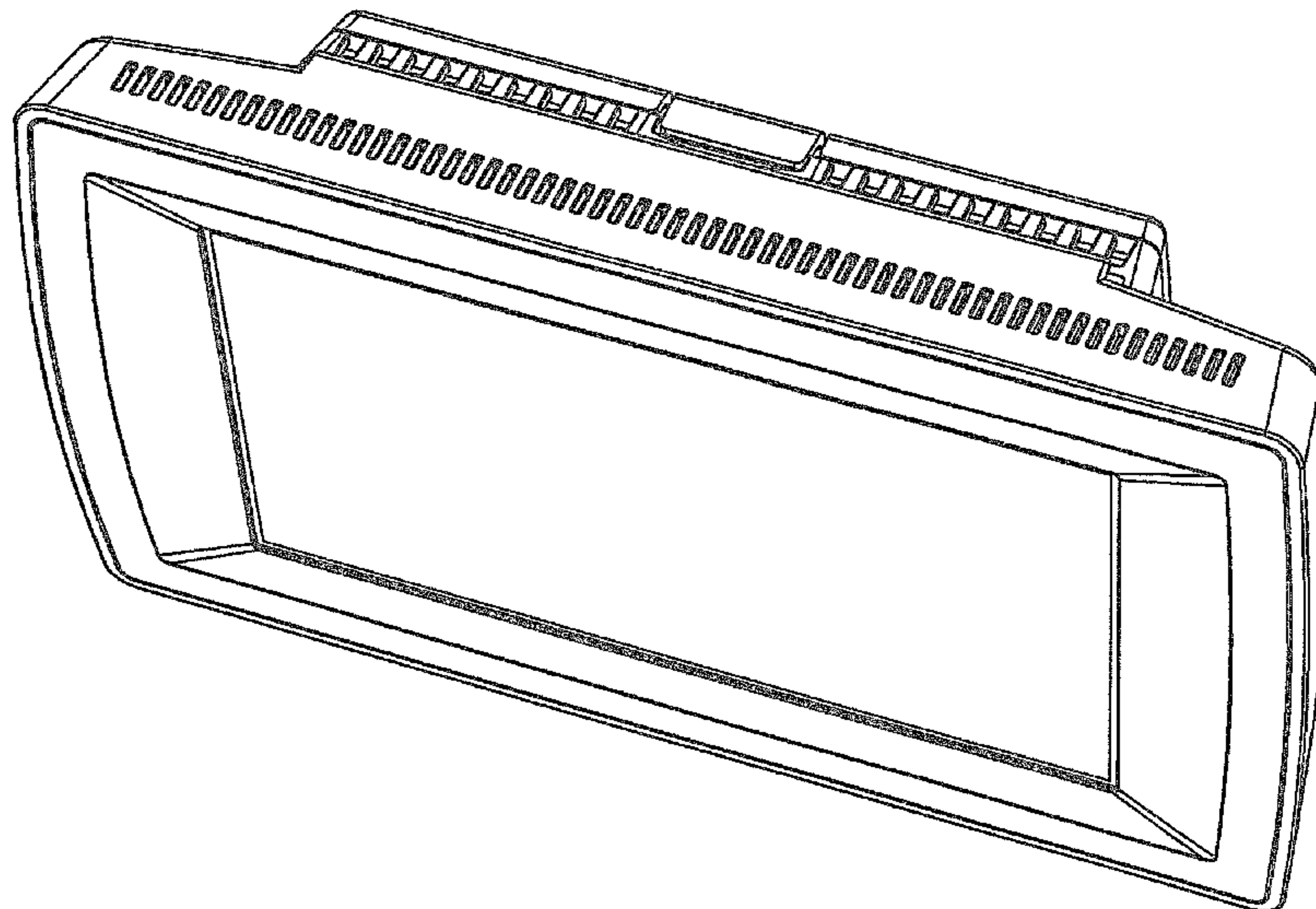
(57) **CLAIM**

The ornamental design for a thermostat unit, as shown and described.

DESCRIPTION

FIG. 1 is a front perspective view of a thermostat unit showing our design;
 FIG. 2 is a back perspective view of the thermostat unit design;
 FIG. 3 is a front view of the thermostat design;
 FIG. 4 is a left side view of the thermostat unit design;
 FIG. 5 is a right side view of the thermostat unit design;
 FIG. 6 is a top view of the present foundation unit and companion unit thermostat unit design;
 FIG. 7 is a bottom view of the thermostat unit design; and,
 FIG. 8 is a rear view of the thermostat unit design.

1 Claim, 3 Drawing Sheets



(56)

References Cited

U.S. PATENT DOCUMENTS

D577,616 S 9/2008 Edgar
D578,415 S 10/2008 Edgar
D579,798 S 11/2008 Kachlick et al.
D582,800 S * 12/2008 Comerford et al. D10/50
D582,801 S * 12/2008 Comerford et al. D10/50
D582,802 S * 12/2008 Branson et al. D10/50
D582,803 S * 12/2008 Comerford et al. D10/50
D589,822 S 4/2009 Rhodes
D592,982 S 5/2009 Burt et al.
D598,305 S 8/2009 Li et al.

D610,475 S 2/2010 Beers et al.
D613,625 S 4/2010 Schneur
D642,081 S * 7/2011 Kashimoto D10/49
D643,318 S * 8/2011 Morrow D10/50
D649,073 S 11/2011 Baskinger et al.
D662,837 S * 7/2012 Morrow D10/50
D662,838 S * 7/2012 Morrow D10/50
D662,839 S * 7/2012 Morrow D10/50
D662,840 S * 7/2012 Morrow D10/50
D663,224 S * 7/2012 Morrow D10/50
2004/0262410 A1 12/2004 Hull
2006/0102732 A1 5/2006 Garrett et al.

* cited by examiner

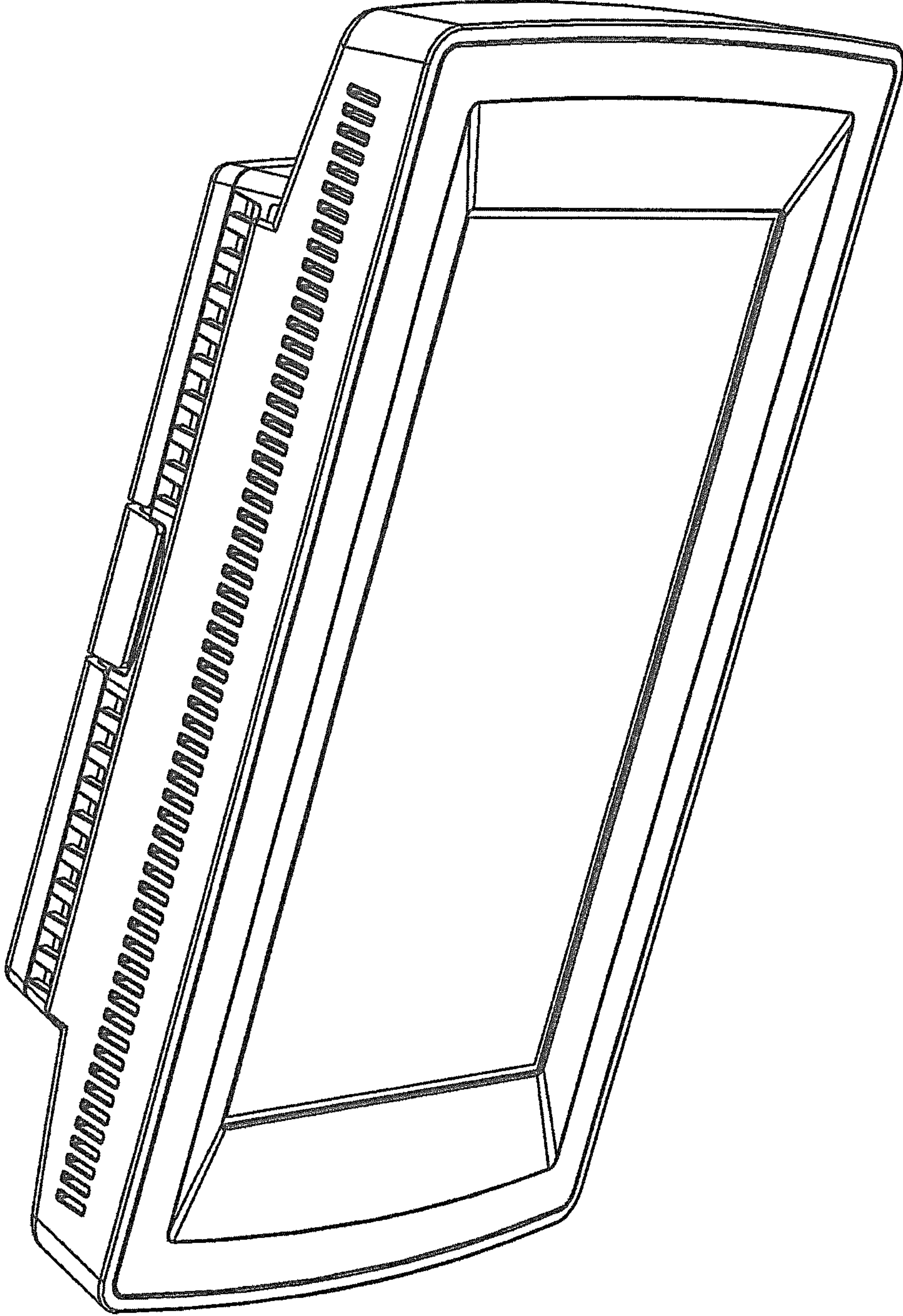


Fig. 1

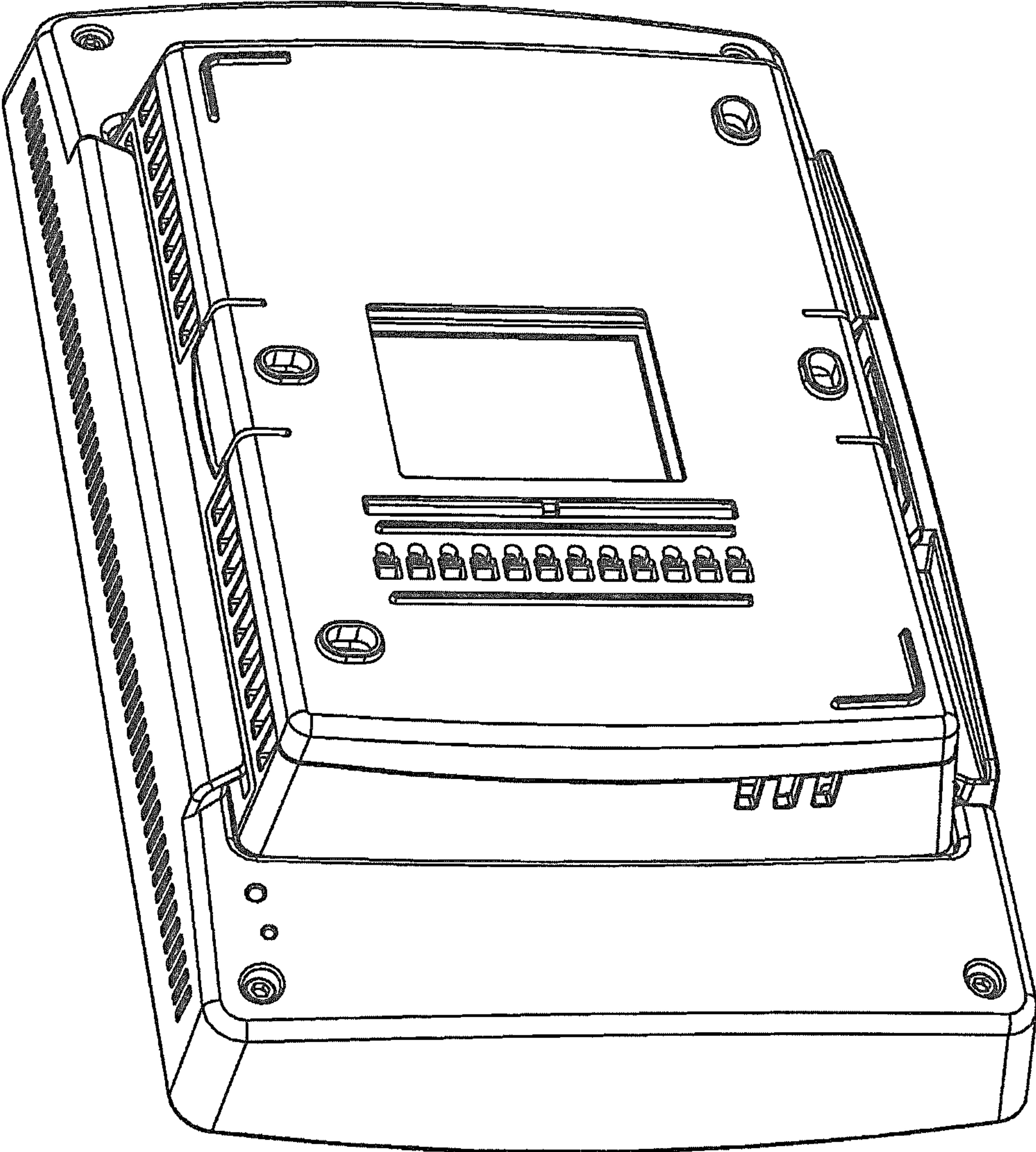


Fig. 2

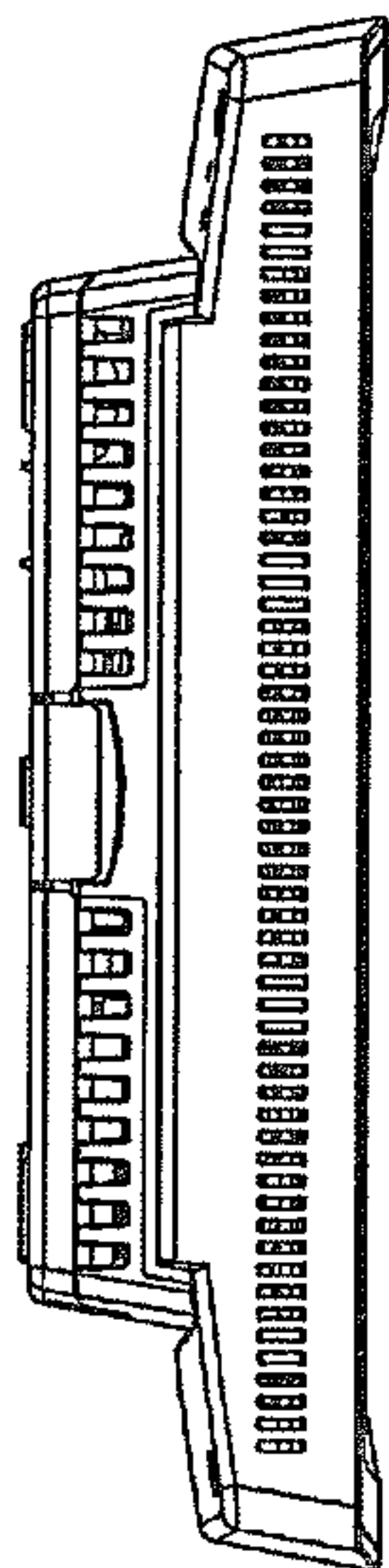


Fig. 6

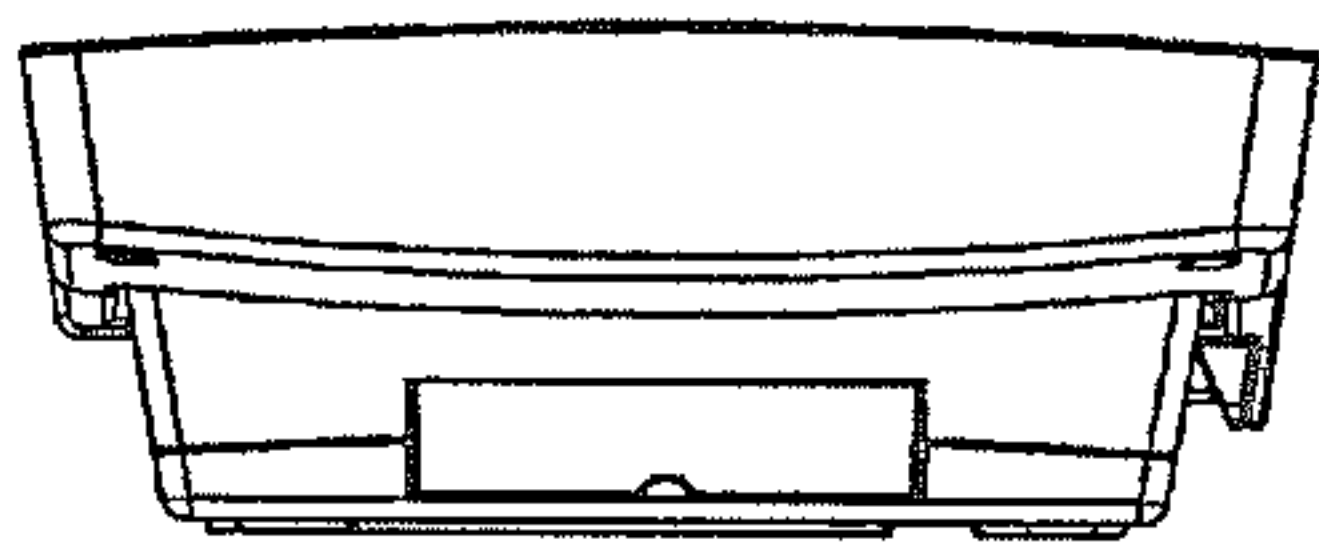


Fig. 4

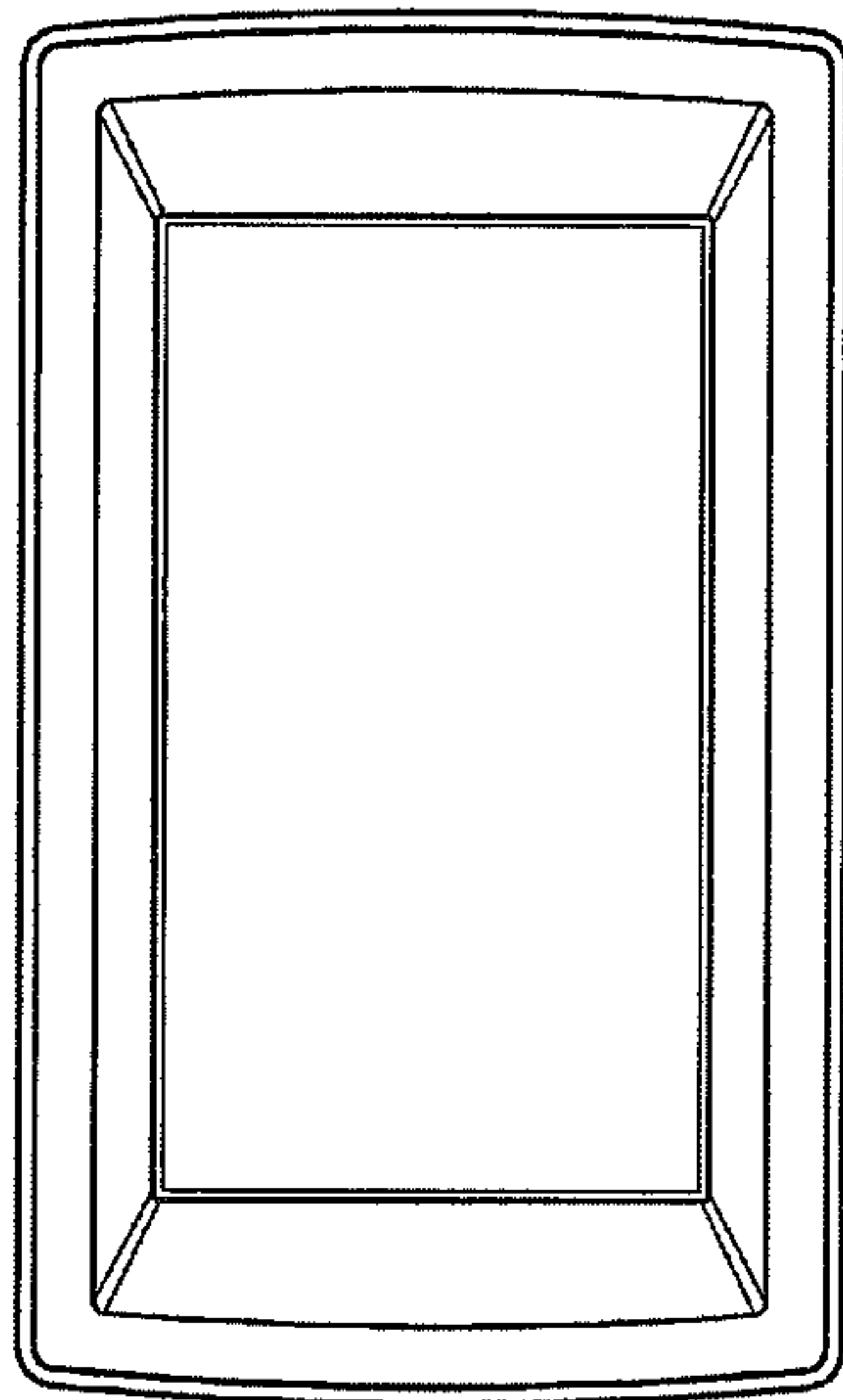


Fig. 3

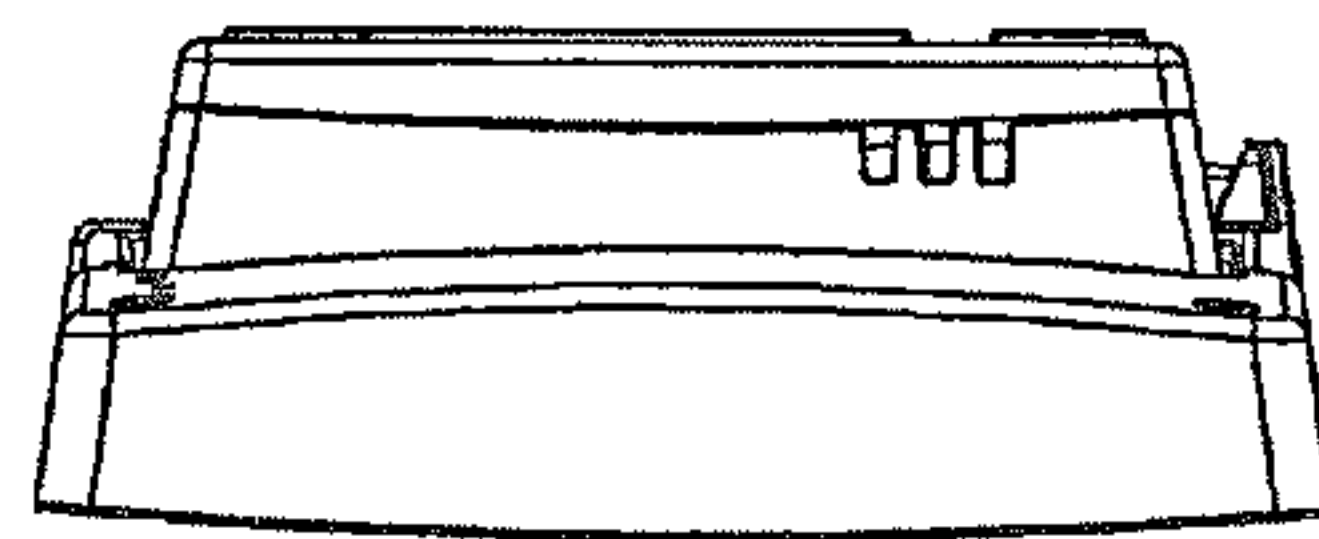


Fig. 5

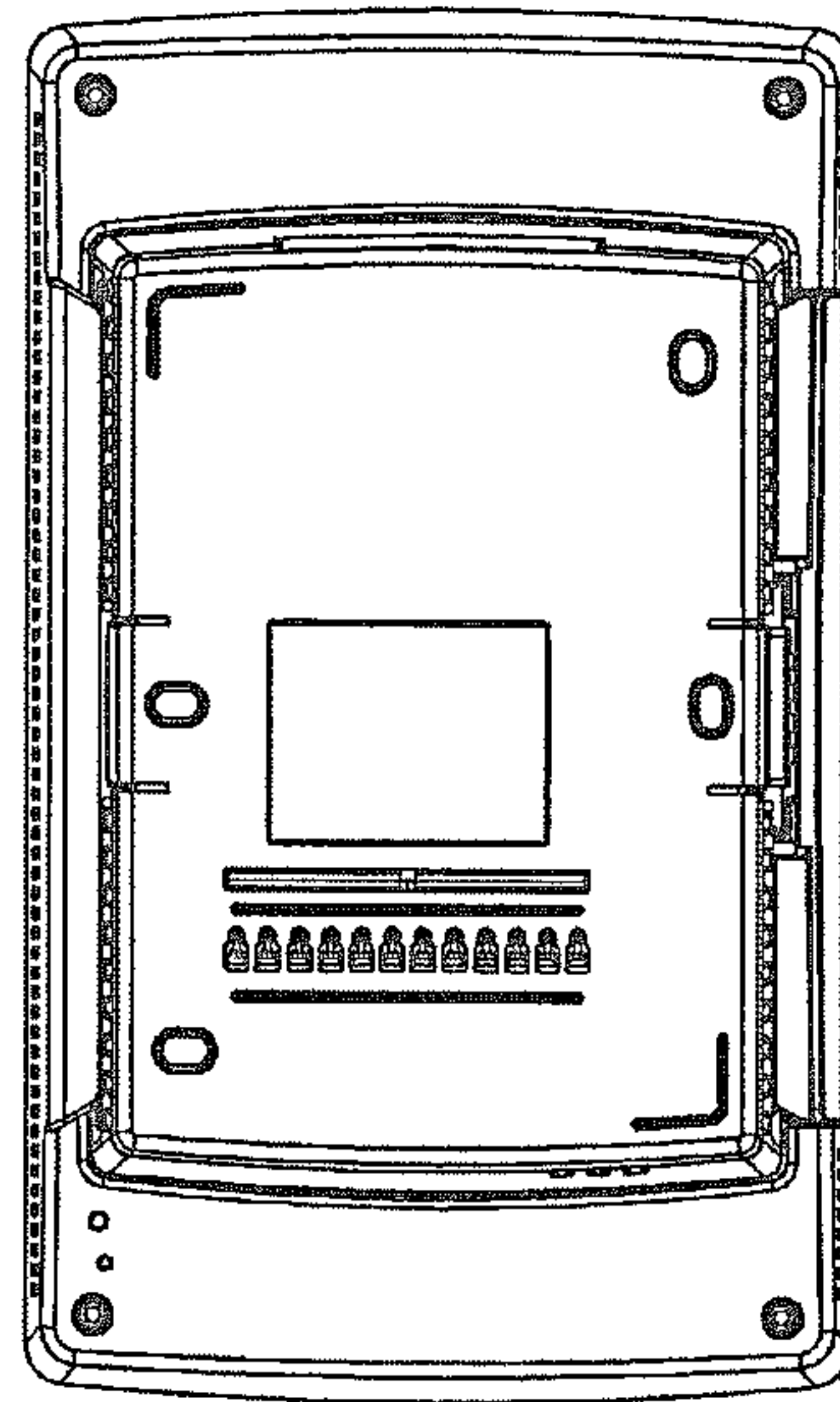


Fig. 8

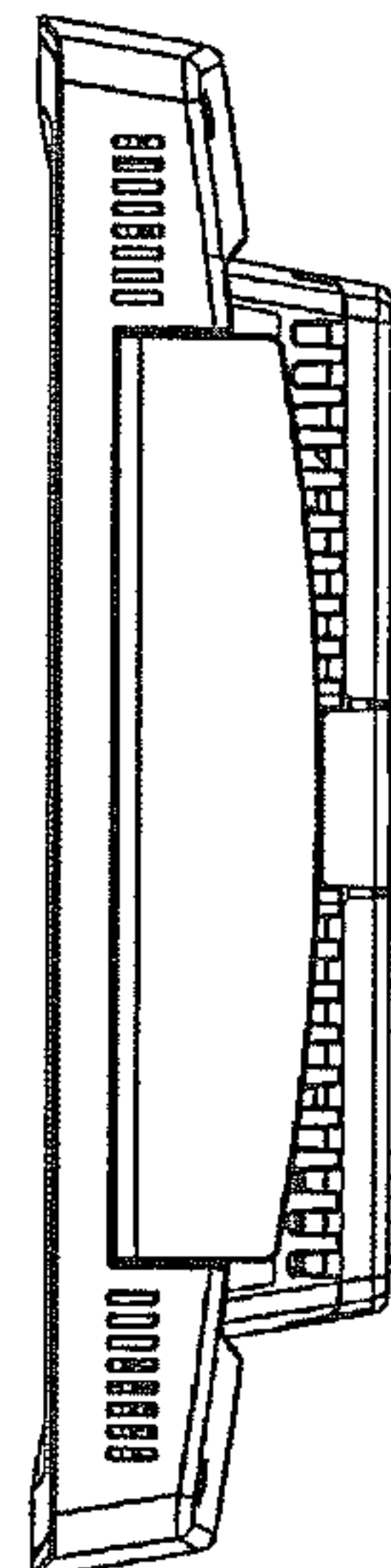


Fig. 7