



US00D688954S

(12) **United States Design Patent**  
**Reefer**

(10) **Patent No.:** **US D688,954 S**

(45) **Date of Patent:** **\*\* Sep. 3, 2013**

(54) **RETRACTABLE FOOD PORTION MEASURING DEVICE**

(71) Applicant: **Marcia Reefer**, New York, NY (US)

(72) Inventor: **Marcia Reefer**, New York, NY (US)

(\*\*) Term: **14 Years**

(21) Appl. No.: **29/439,623**

(22) Filed: **Dec. 13, 2012**

**Related U.S. Application Data**

(62) Division of application No. 29/398,539, filed on Aug. 1, 2011, now Pat. No. Des. 676,340.

(51) **LOC (9) Cl.** ..... **10-04**

(52) **U.S. Cl.**  
USPC ..... **D10/46.3**

(58) **Field of Classification Search**  
USPC ..... D10/46.2, 46.3; 73/426-429; 33/524,  
33/755, 759, 555.2

See application file for complete search history.

(56) **References Cited**

U.S. PATENT DOCUMENTS

3,874,085	A *	4/1975	Atkins	.....	33/524
4,214,369	A *	7/1980	Wasik et al.	.....	33/759
4,333,241	A *	6/1982	Wasik et al.	.....	33/524
D281,301	S *	11/1985	Spolar	.....	D10/46.2
8,020,439	B2 *	9/2011	Gougian	.....	73/426

\* cited by examiner

*Primary Examiner* — Terry Wallace

(74) *Attorney, Agent, or Firm* — QuickPatents; Kevin Prince

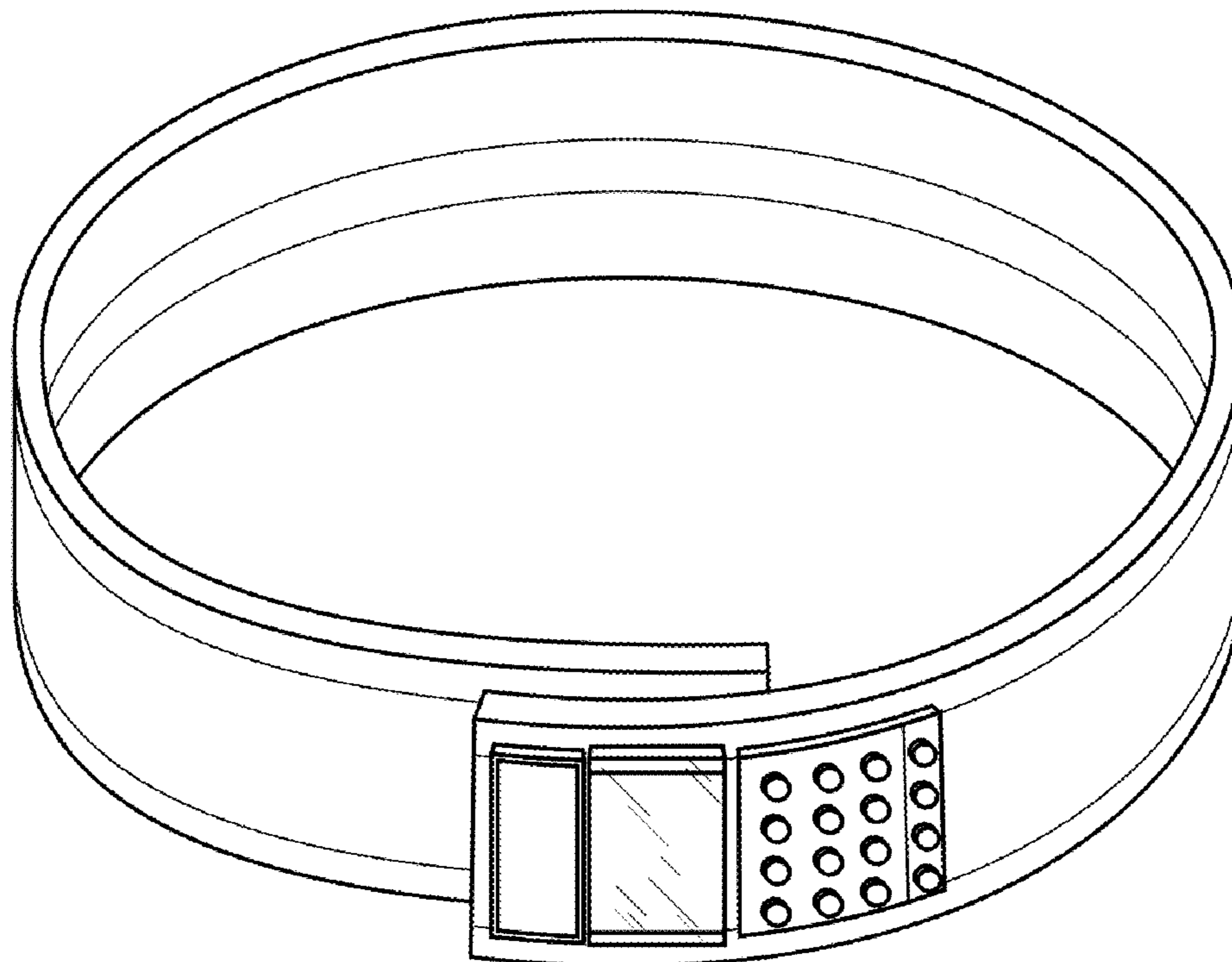
(57) **CLAIM**

I claim the ornamental design for a retractable food portion measuring device, as shown and described.

**DESCRIPTION**

FIG. 1 is a perspective view of a retractable food portion measuring device, showing my new design;  
FIG. 2 is a top plan view thereof, the bottom plan view being a mirror image thereof;  
FIG. 3 is a front elevational view thereof;  
FIG. 4 is a left-side elevational view thereof;  
FIG. 5 is a right-side elevational view thereof; and,  
FIG. 6 is a rear elevational view thereof.

**1 Claim, 2 Drawing Sheets**



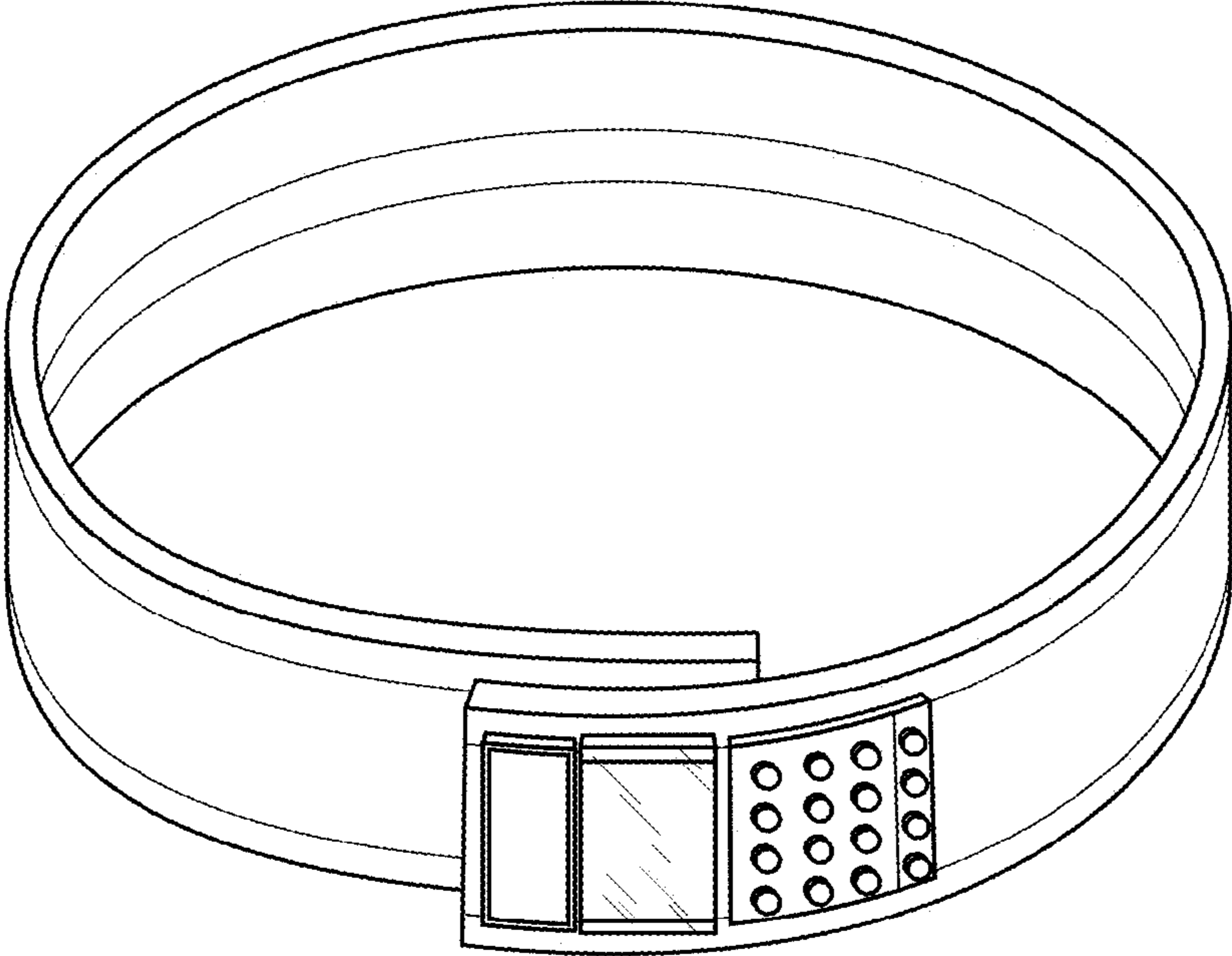


FIG. 1

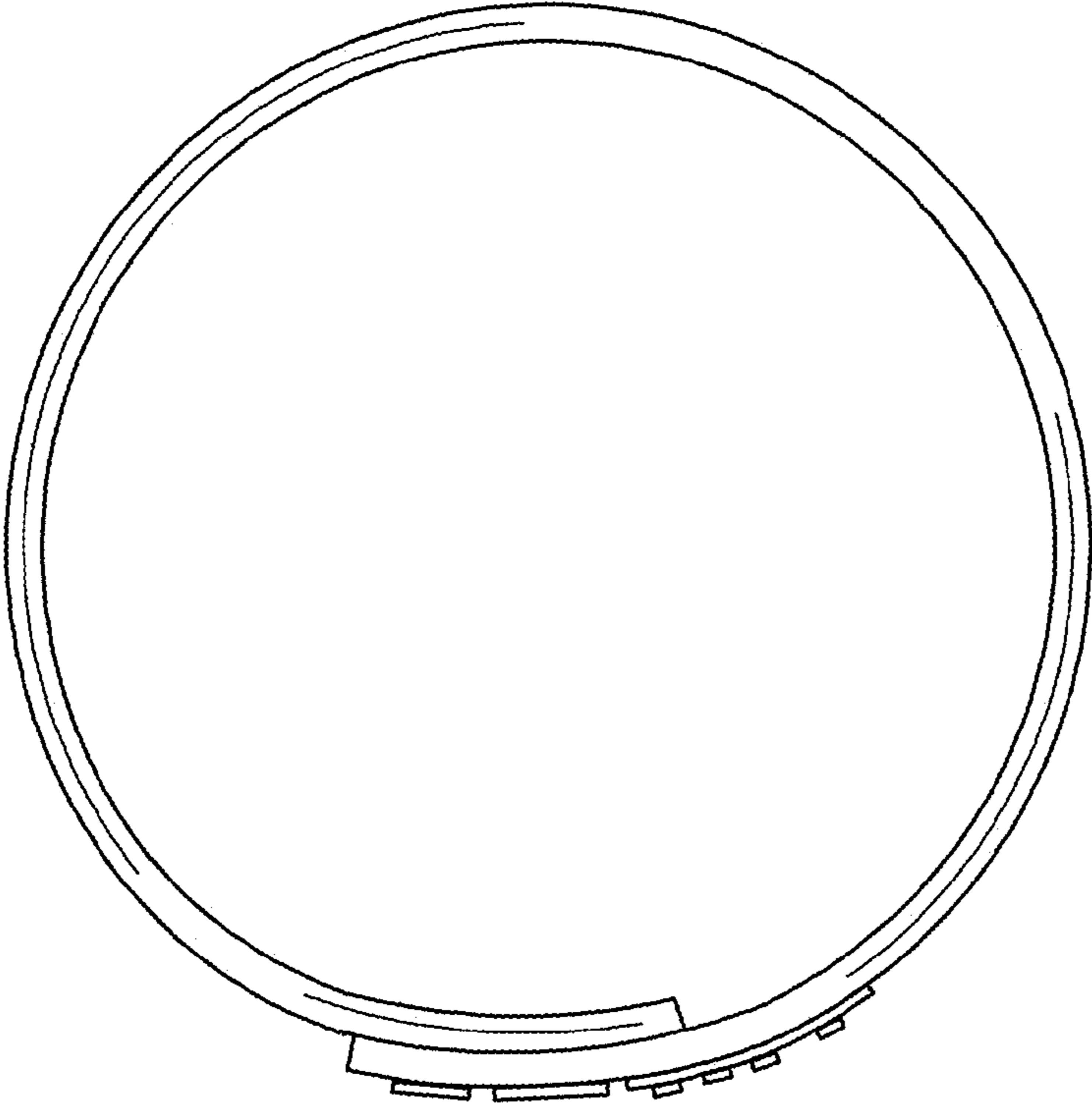


FIG. 2

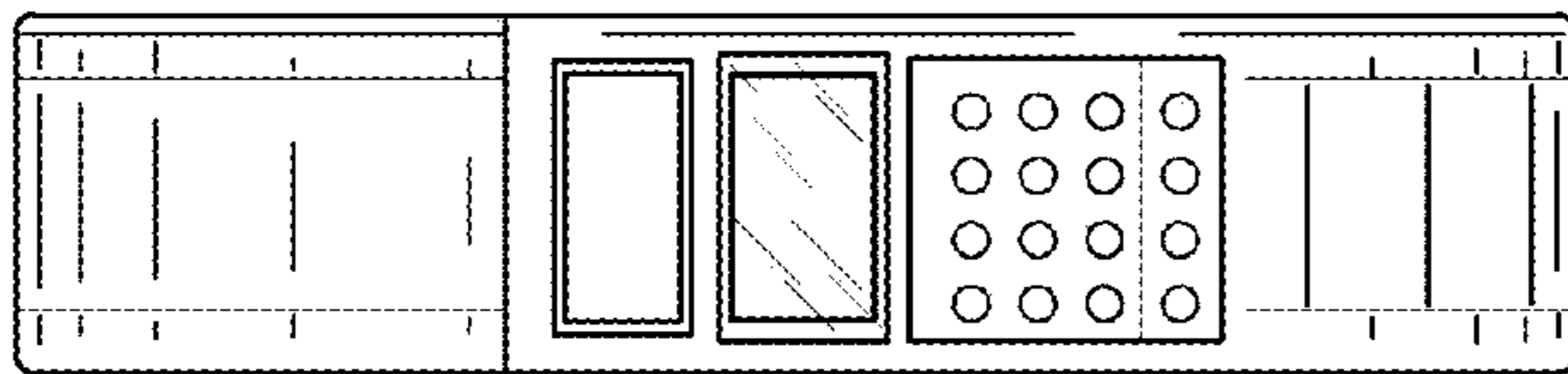


FIG. 3

FIG. 4

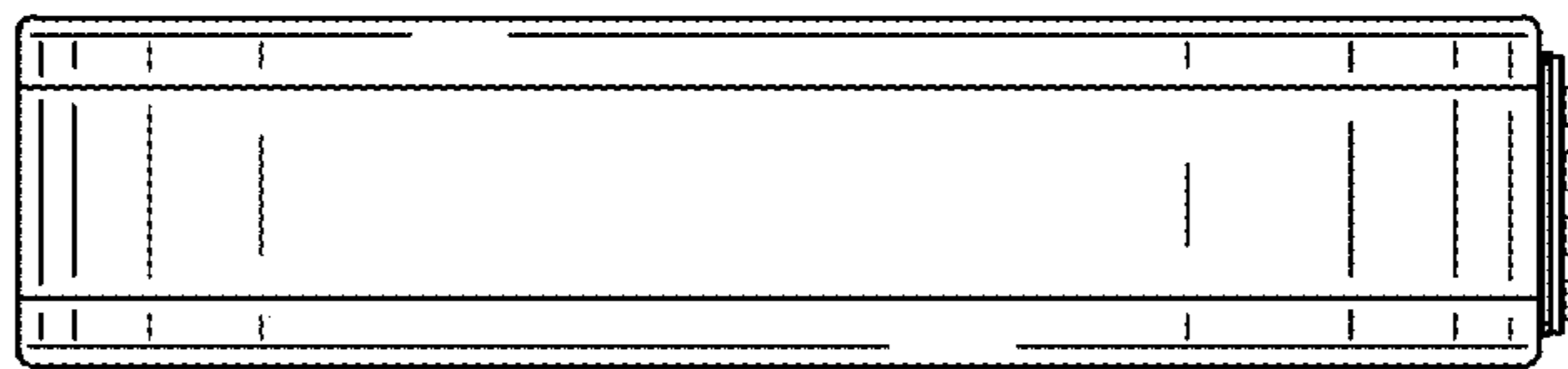
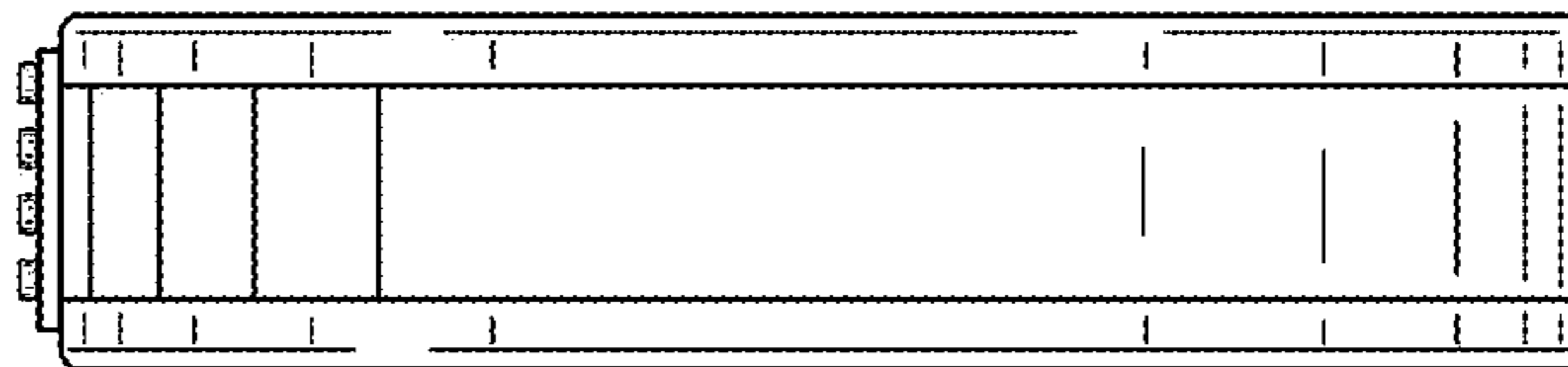


FIG. 5

FIG. 6

