



US00D688953S

(12) **United States Design Patent**  
**Korper et al.**

(10) **Patent No.:** **US D688,953 S**  
(45) **Date of Patent:** **\*\* Sep. 3, 2013**

(54) **WIDE AREA APPLICATOR**

(71) Applicant: **SKM Industries, Inc.**, Olyphant, PA (US)

(72) Inventors: **George Korper**, Mill Spring, NC (US);  
**Stephen Krisanda**, Olyphant, PA (US)

(73) Assignee: **SKM Industries, Inc.**, Olyphant, PA (US)

(\*\*) Term: **14 Years**

(21) Appl. No.: **29/438,619**

(22) Filed: **Nov. 30, 2012**

(51) **LOC (9) Cl.** ..... **09-01**

(52) **U.S. Cl.**  
USPC ..... **D9/725**; D28/7

(58) **Field of Classification Search**  
USPC ..... D9/516, 423-429; 215/381-385;  
220/660, 669, 675; D28/4, 7; D24/133  
See application file for complete search history.

(56) **References Cited**

U.S. PATENT DOCUMENTS

1,857,467	A	5/1932	Marsh	
2,330,053	A	9/1943	Herb	
3,468,611	A	9/1969	Ward	
5,073,058	A	12/1991	Fukuoka et al.	
D352,130	S *	11/1994	Zierhut	D28/7
5,387,046	A	2/1995	Danno	
D417,930	S *	12/1999	Hawkes	D28/7
6,634,821	B2	10/2003	Gueret	
6,641,320	B1	11/2003	Ballot	
D485,009	S *	1/2004	Bolender	D28/7
6,817,801	B1	11/2004	Colburn	
7,101,105	B2	9/2006	Reggiani	
D532,315	S *	11/2006	Moutinho	D9/725
D538,472	S *	3/2007	Angeletta	D28/7
D599,055	S *	8/2009	Daum	D28/7
D614,806	S *	4/2010	Arrington	D28/7
D645,610	S *	9/2011	Somers et al.	D28/7

D653,806	S *	2/2012	Bewick-Lieffort	D28/7
D663,479	S *	7/2012	Ammerman	D28/7
D664,251	S *	7/2012	Ruiz et al.	D24/133
2007/0220693	A1 *	9/2007	Billig et al.	15/104.94
2008/0145136	A1	6/2008	Korper	
2008/0289128	A1 *	11/2008	Billig et al.	15/104.94
2009/0205152	A1 *	8/2009	Soller et al.	15/104.93
2011/0013966	A1	1/2011	Ballot	

\* cited by examiner

*Primary Examiner* — Keli L Hill

(74) *Attorney, Agent, or Firm* — Notaro, Michalos & Zaccaria P.C.

(57) **CLAIM**

The ornamental design for a wide area applicator, as shown and described.

**DESCRIPTION**

FIG. 1 is a top, left and front perspective view of a first embodiment of a wide area applicator, showing our new design;

FIG. 2 is a top plan view thereof;

FIG. 3 is a bottom plan view thereof;

FIG. 4 is a left side elevational view thereof, the right side view being a mirror image thereto;

FIG. 5 is a front elevational view thereof;

FIG. 6 is a rear elevational view thereof; and

FIG. 7 is a top, front left perspective view of a second embodiment of our design;

FIG. 8 is a bottom plan view thereof;

FIG. 9 is a top plan view thereof;

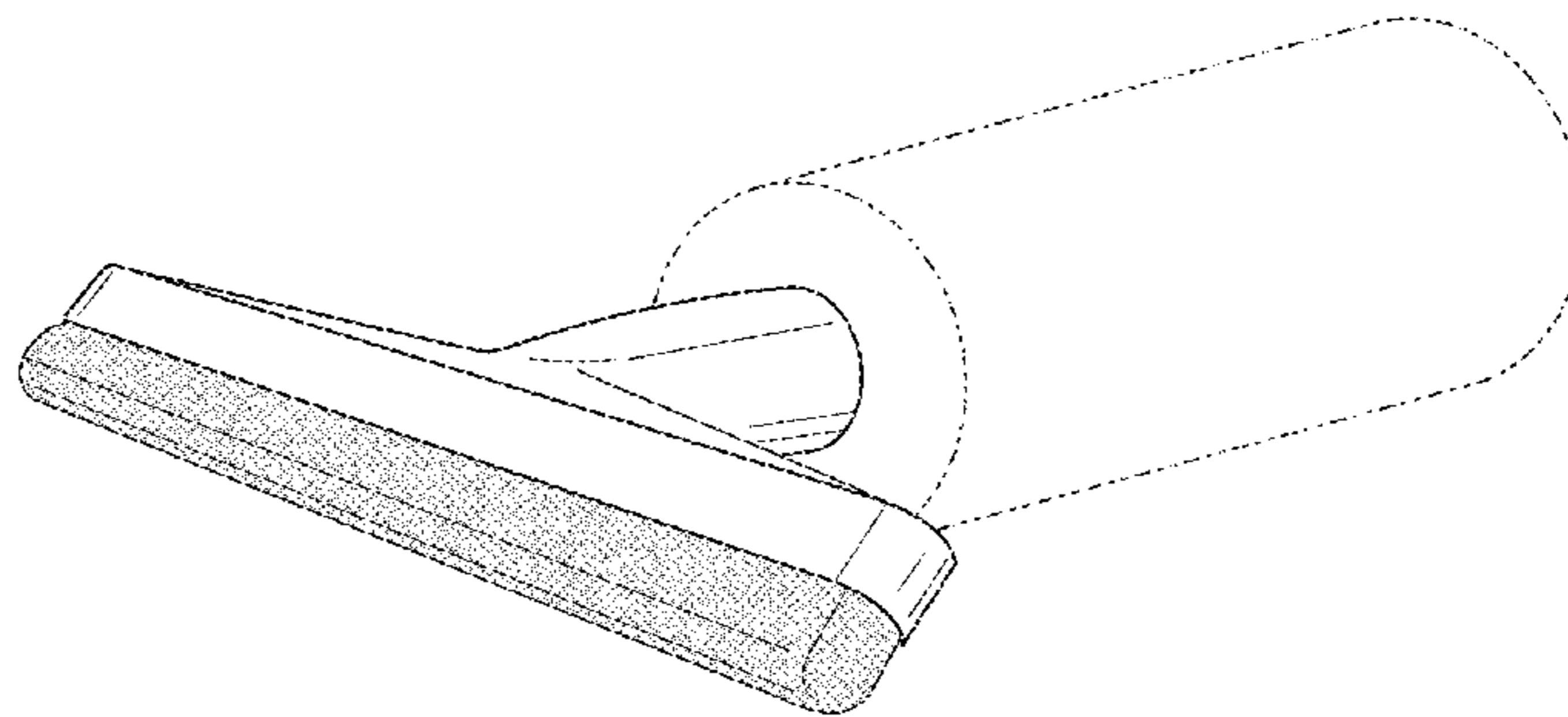
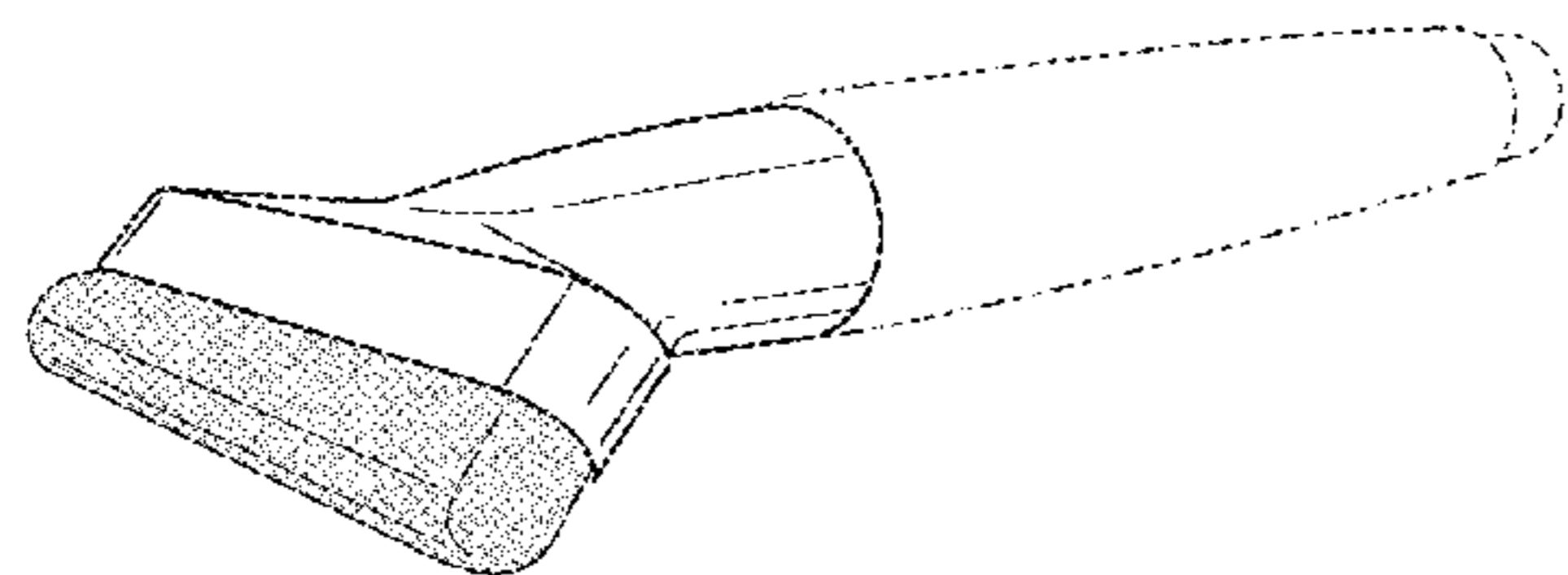
FIG. 10 is a left side elevational view thereof, the right side view being a mirror image thereto;

FIG. 11 is a front elevational view thereof; and,

FIG. 12 is a rear elevational view thereof.

The broken lines shown are included for the purpose of illustrating the unclaimed portions of the wide area applicator and form no part of the claim.

**1 Claim, 5 Drawing Sheets**



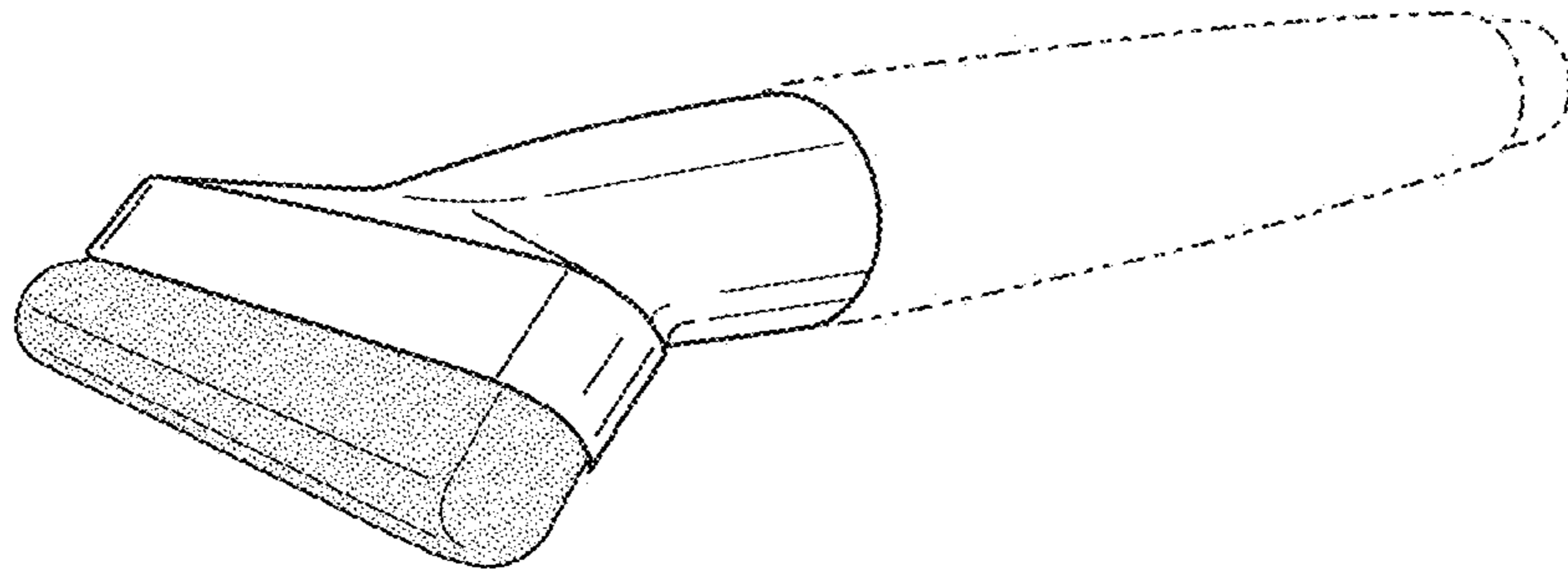


FIG. 1

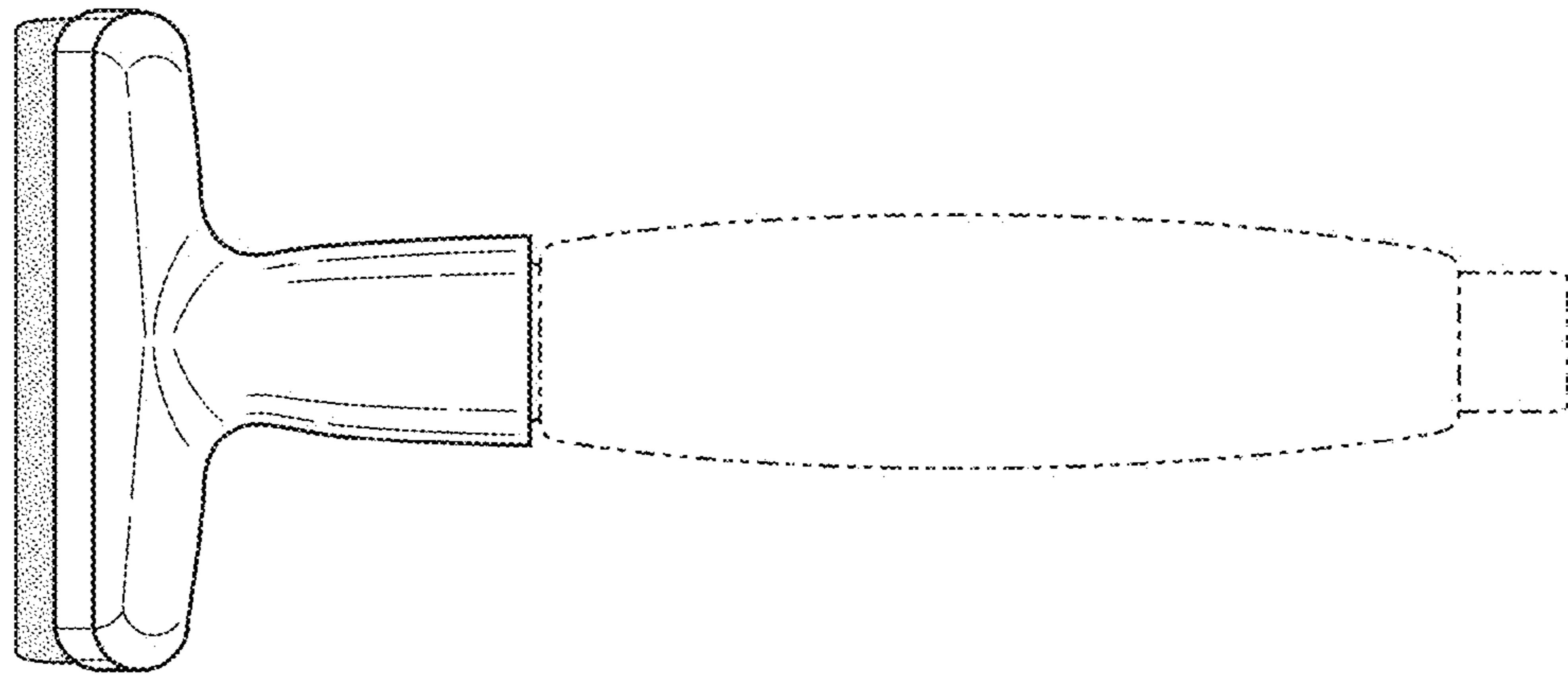


FIG. 2

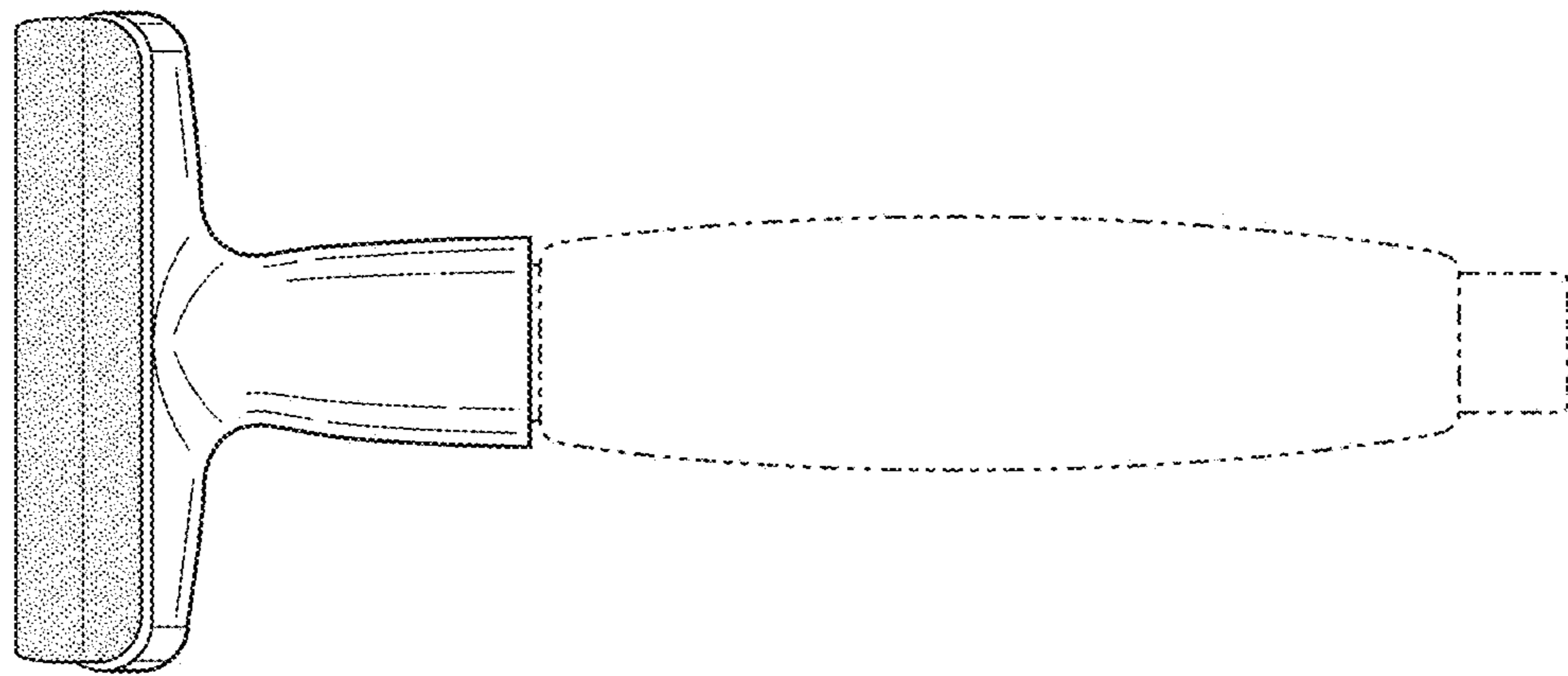


FIG. 3

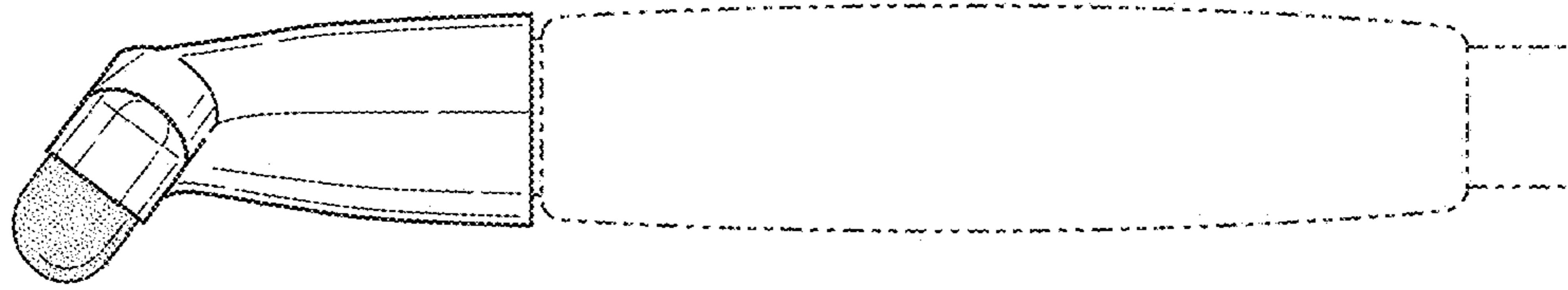


FIG. 4

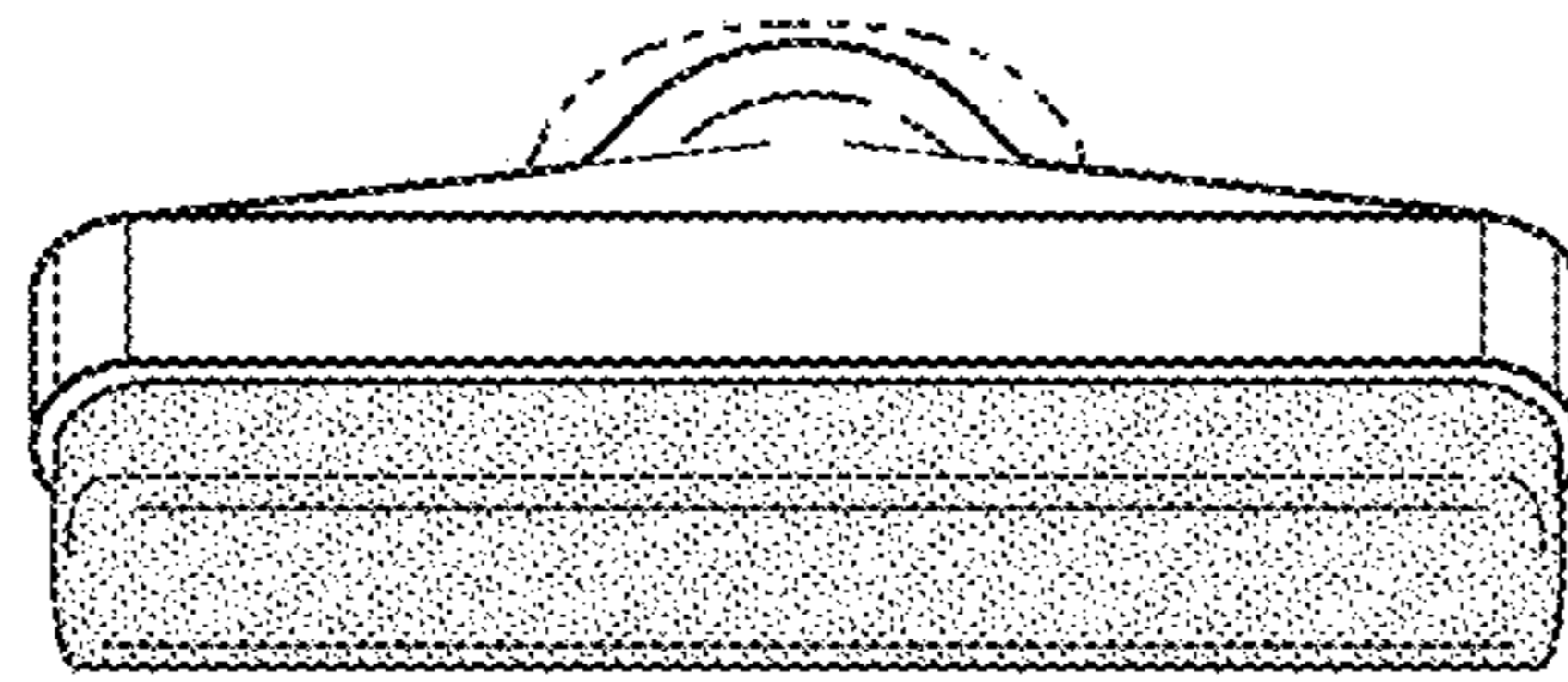


FIG. 5

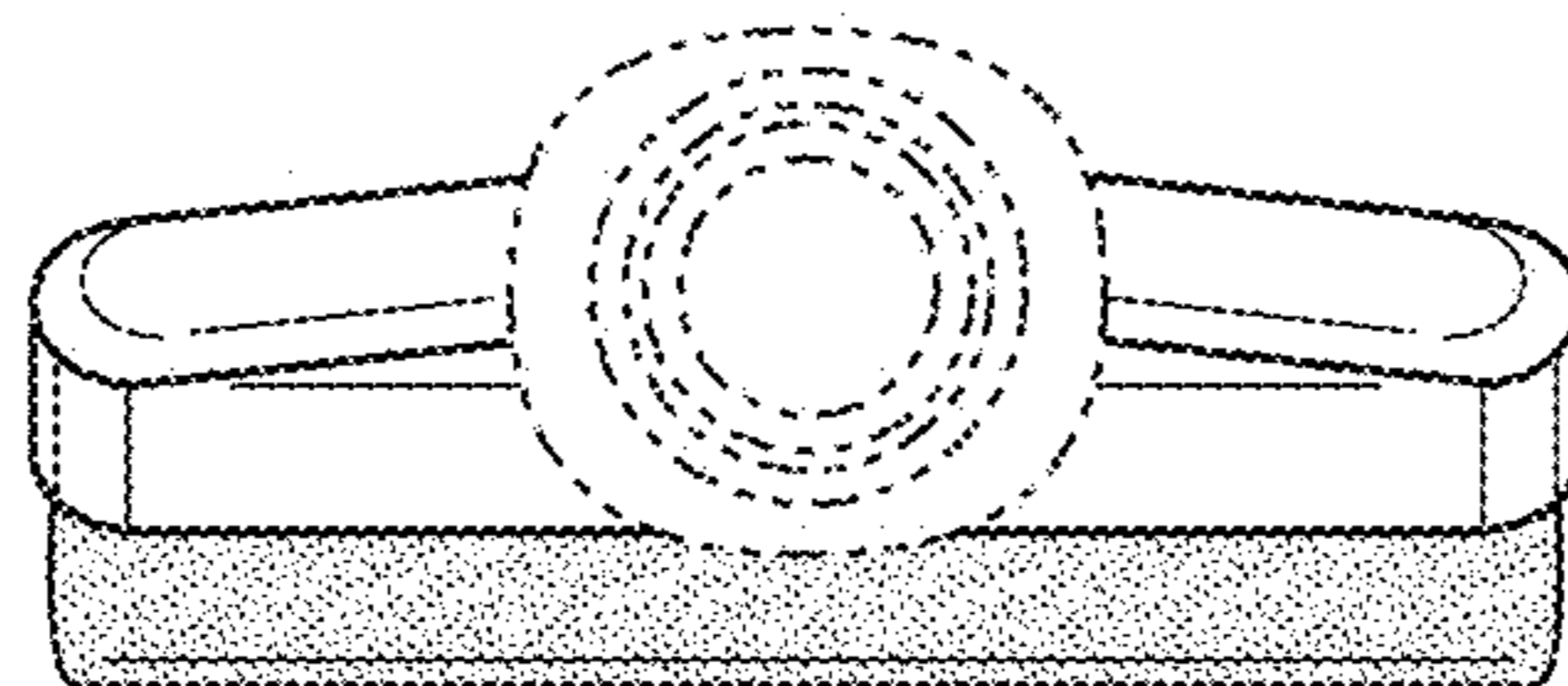


FIG. 6

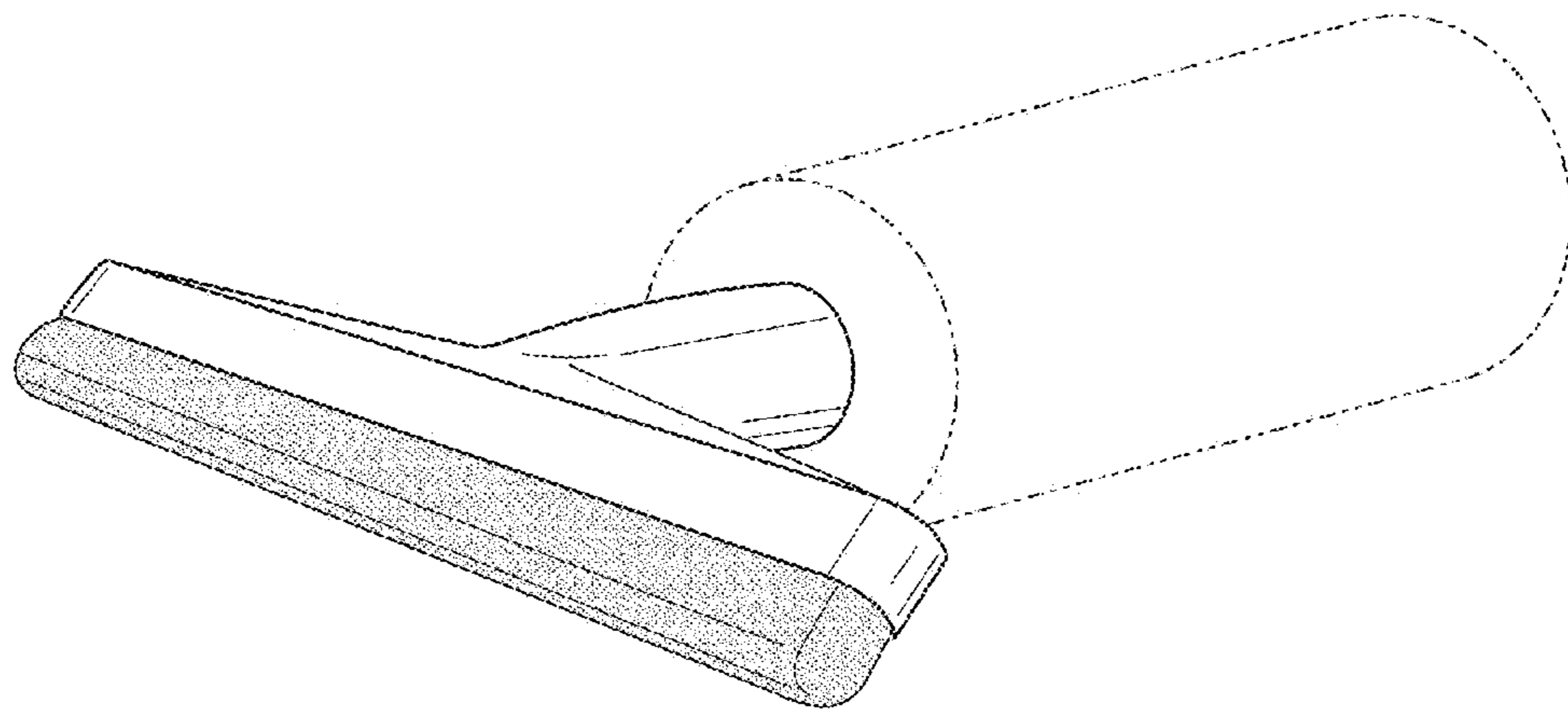


FIG. 7



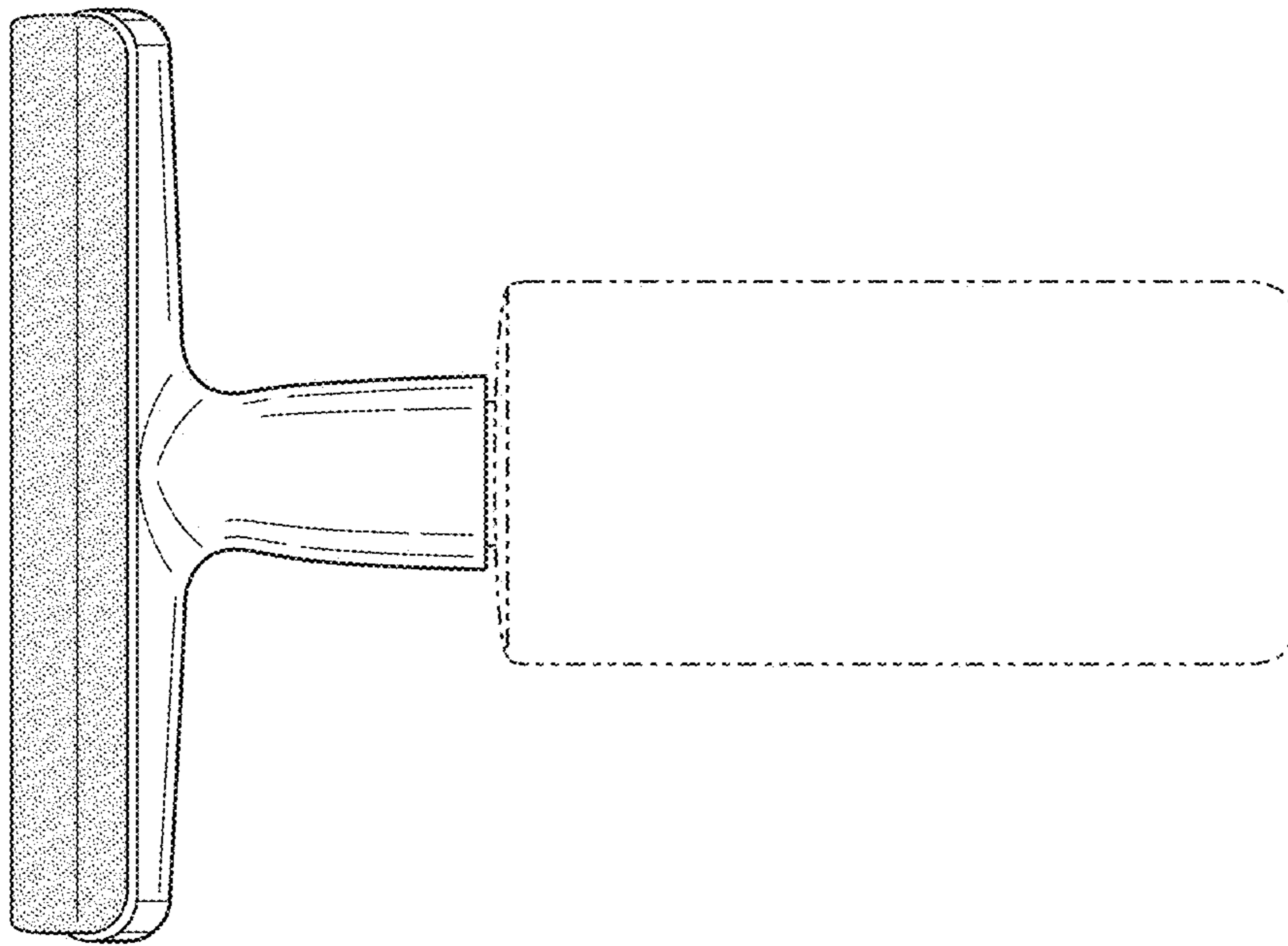


FIG. 8

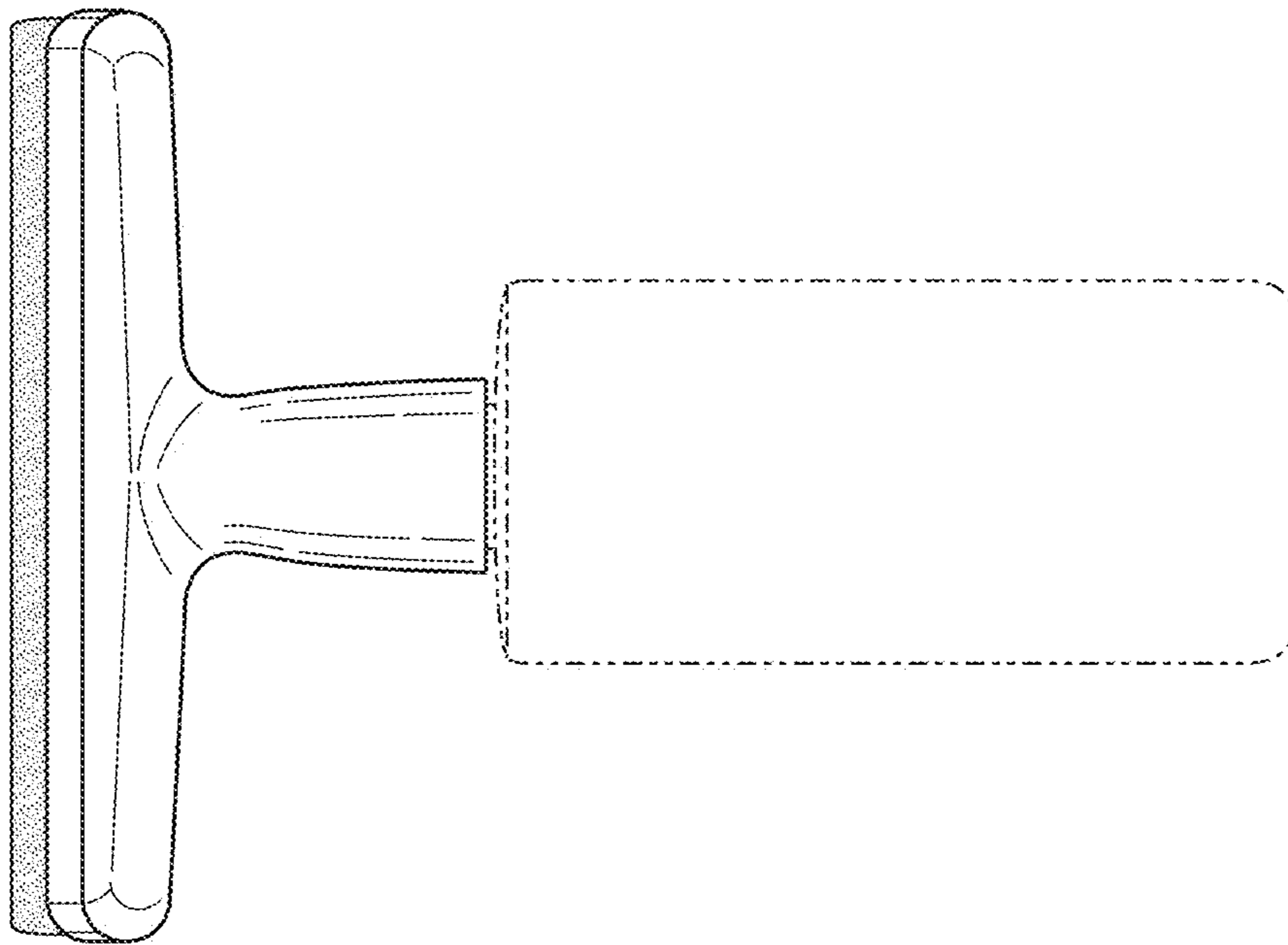


FIG. 9

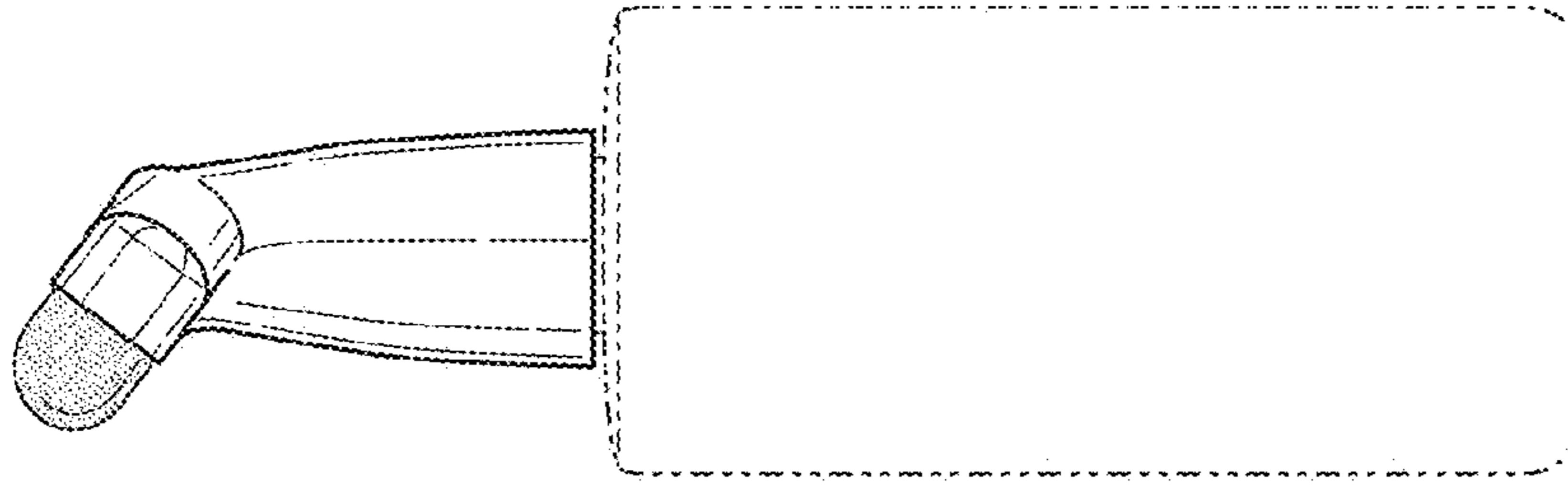


FIG. 10

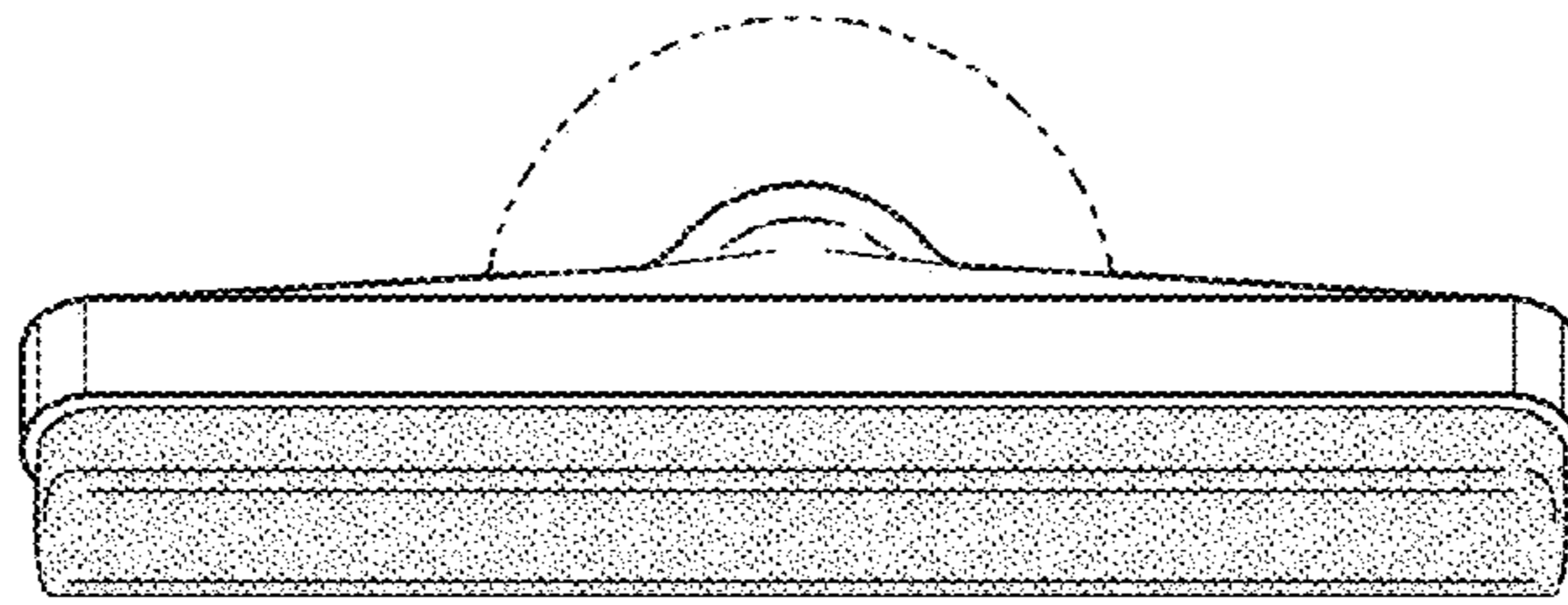


FIG. 11

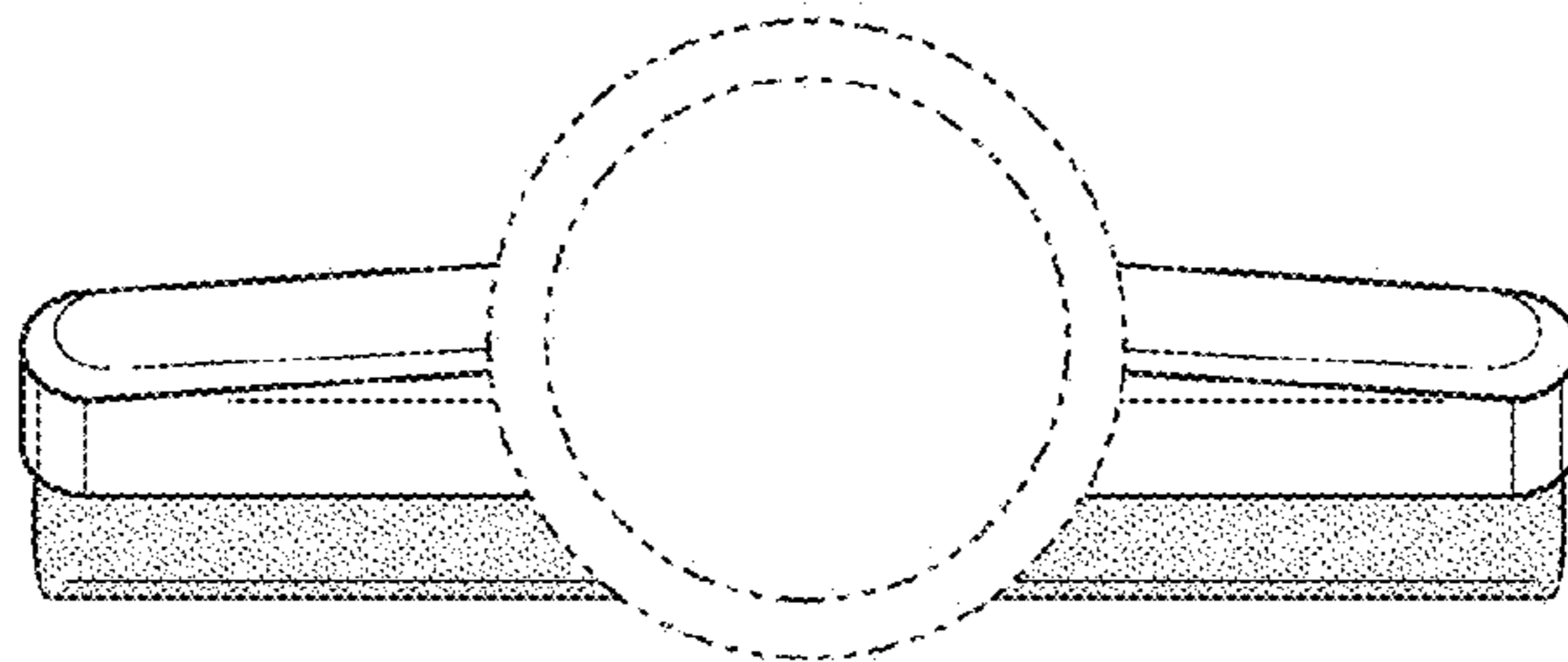


FIG. 12