



US00D688952S

(12) **United States Design Patent**
Pappalardo

(10) **Patent No.:** **US D688,952 S**
(45) **Date of Patent:** **** Sep. 3, 2013**

(54) **NOZZLE FOR A SNAP ENGAGEMENT DISPENSING ASSEMBLY**

D242,327 S * 11/1976 Schneider D9/447
D262,149 S * 12/1981 Plaut D28/77
D286,380 S * 10/1986 Harman D9/447
D318,233 S * 7/1991 Ackerman D9/447
D328,244 S * 7/1992 Hamilton et al. D9/724

(71) Applicant: **Nordson Corporation**, Westlake, OH (US)

(Continued)

(72) Inventor: **Matthew E. Pappalardo**, Ewing, NJ (US)

FOREIGN PATENT DOCUMENTS

(73) Assignee: **Nordson Corporation**, Westlake, OH (US)

EP 2407249 A1 1/2012

(**) Term: **14 Years**

Primary Examiner — Keli L Hill

(21) Appl. No.: **29/437,504**

(74) *Attorney, Agent, or Firm* — Wood, Herron & Evans, L.L.P.

(22) Filed: **Nov. 16, 2012**

(57) **CLAIM**

The ornamental design for a nozzle for a snap engagement dispensing assembly, as shown and described.

Related U.S. Application Data

DESCRIPTION

(63) Continuation of application No. 13/664,512, filed on Oct. 31, 2012.

FIG. 1 is a top front perspective view of a nozzle for a snap engagement dispensing assembly according to the present invention.

(51) **LOC (9) Cl.** **09-01**

FIG. 2 is a front side view of the nozzle of FIG. 1.

(52) **U.S. Cl.**
USPC **D9/724**

FIG. 3 is a right side view of the nozzle of FIG. 1, the left side view being a mirror image thereof.

(58) **Field of Classification Search**
USPC D9/434, 435, 436, 443, 447, 516,
D9/723-729; 215/381-385; 220/660, 669,
220/675; D8/2

FIG. 4 is a rear side view of the nozzle of FIG. 1.

See application file for complete search history.

FIG. 5 is a cross-sectional side view of an interior side of one locking arm of the nozzle of FIG. 4, taken along line 5-5, and an identical section taken in the opposite direction showing the interior side of the other locking arm shown in FIG. 4 is a mirror image thereof.

(56) **References Cited**

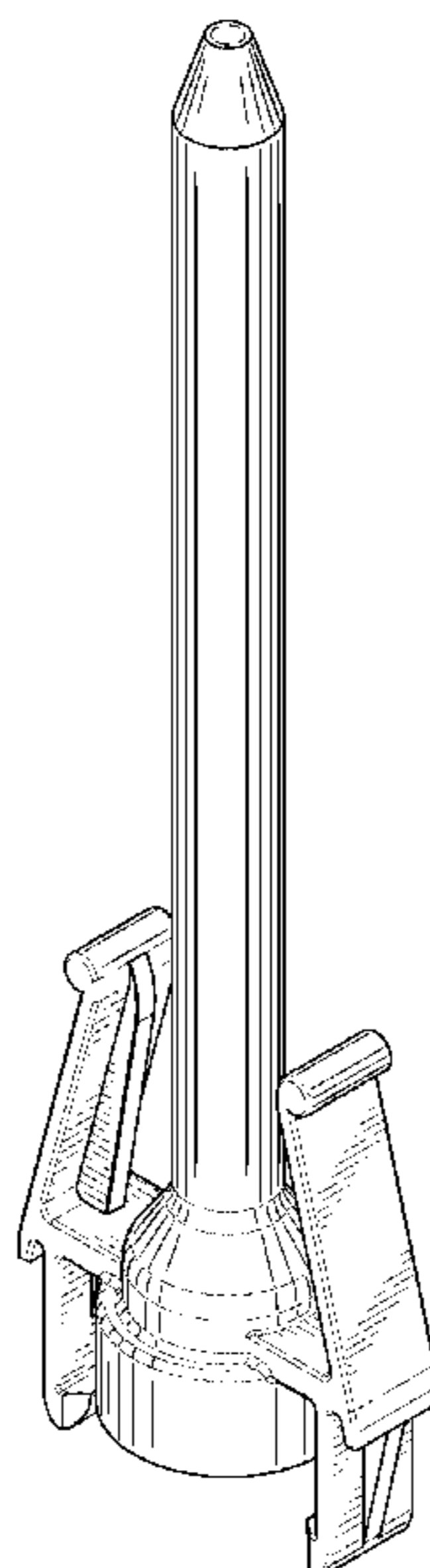
FIG. 6 is a top end view of the nozzle of FIG. 1; and, FIG. 7 is a bottom end view of the nozzle of FIG. 1.

U.S. PATENT DOCUMENTS

D167,725 S * 9/1952 Soffer D9/443
2,681,463 A * 6/1954 Gordon 401/128
D199,606 S * 11/1964 Waterman D24/115
D204,103 S * 3/1966 Lydon D9/447
D225,838 S * 1/1973 Filder D9/436

The broken lines in the figures are shown for the purpose of illustrating boundaries of the claimed design and the areas inside the broken line boundaries form no part of the claimed design.

1 Claim, 3 Drawing Sheets



(56)

References Cited

U.S. PATENT DOCUMENTS

D332,221 S *	1/1993	Willems	D9/447	6,769,574 B1	8/2004	Keller	
D335,809 S *	5/1993	Reifenberger	D8/70	7,316,330 B2	1/2008	Muller et al.	
5,228,599 A	7/1993	Keller		7,481,333 B2	1/2009	Goldberg et al.	
D358,295 S *	5/1995	Moench	D7/398	7,631,782 B2	12/2009	Engelbrecht et al.	
D358,329 S *	5/1995	Dickie	D9/443	7,717,357 B2	5/2010	Gantenbein et al.	
5,462,204 A	10/1995	Finn		D633,384 S *	3/2011	Tanaka	D9/447
5,918,772 A	7/1999	Keller et al.		D659,244 S *	5/2012	Hermle	D24/133
6,186,363 B1	2/2001	Keller et al.		D660,695 S *	5/2012	Ishizawa et al.	D9/447
D440,654 S *	4/2001	Mark	D24/119	D661,598 S *	6/2012	Battisti	D9/724
D462,268 S *	9/2002	Schroeder et al.	D9/435	2005/0035153 A1	2/2005	Brown	
D471,797 S *	3/2003	Guerrera et al.	D9/724	2005/0230422 A1	10/2005	Muller et al.	
D485,577 S *	1/2004	Lord et al.	D19/66	2010/0102088 A1	4/2010	Keller	
				2010/0102477 A1 *	4/2010	Helie et al.	264/219
				2010/0206905 A1 *	8/2010	Horner et al.	222/137

* cited by examiner

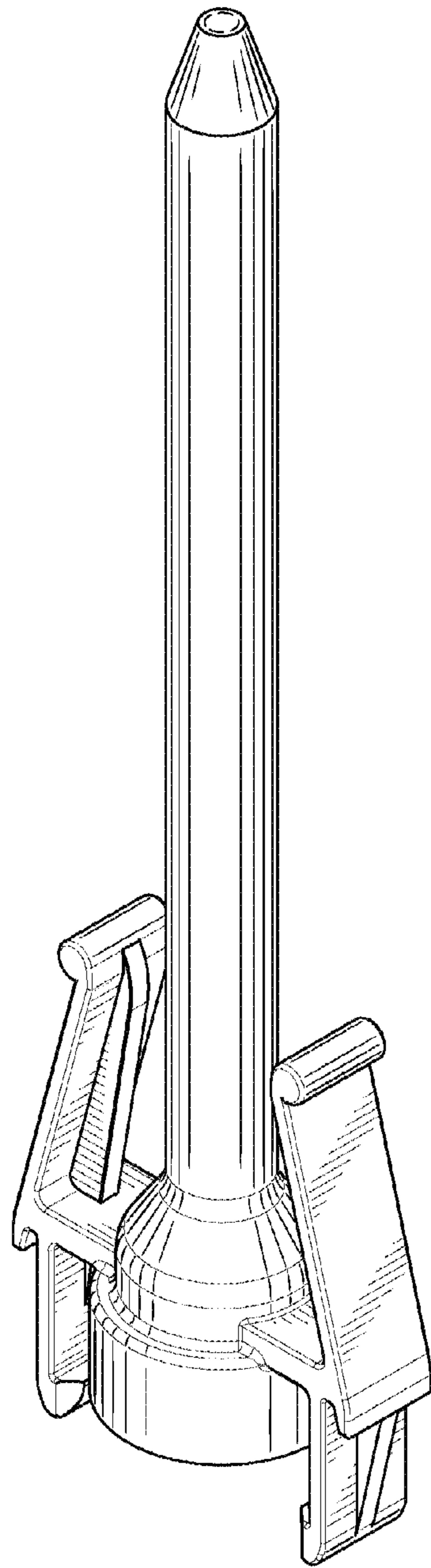


FIG. 1

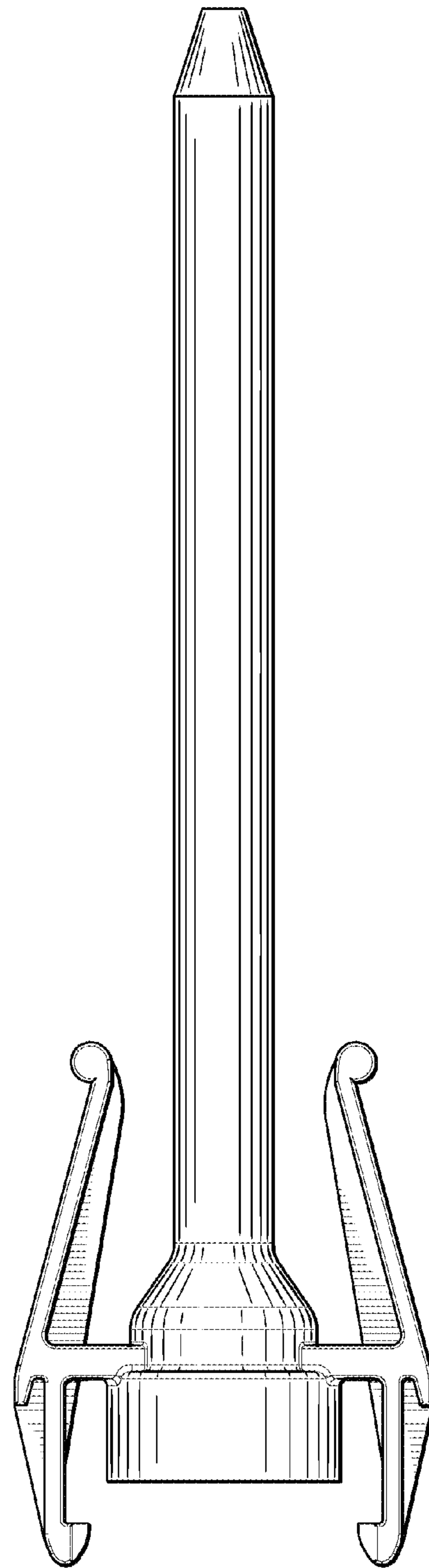


FIG. 2

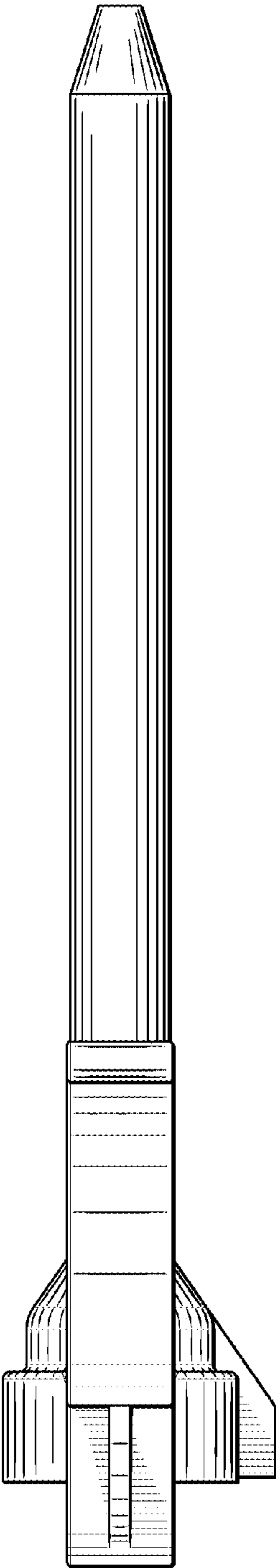


FIG. 3

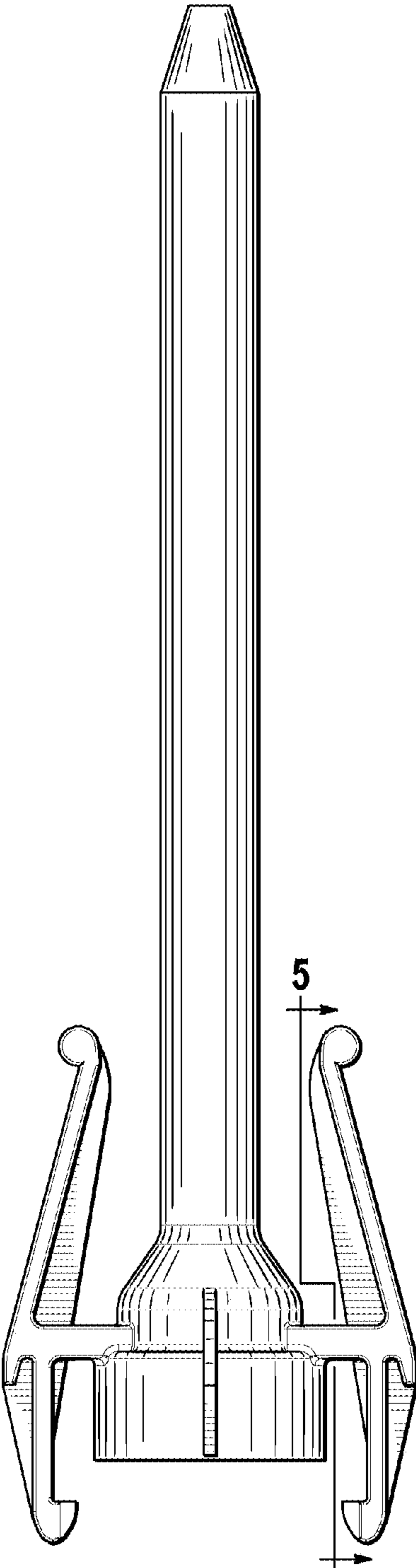


FIG. 4

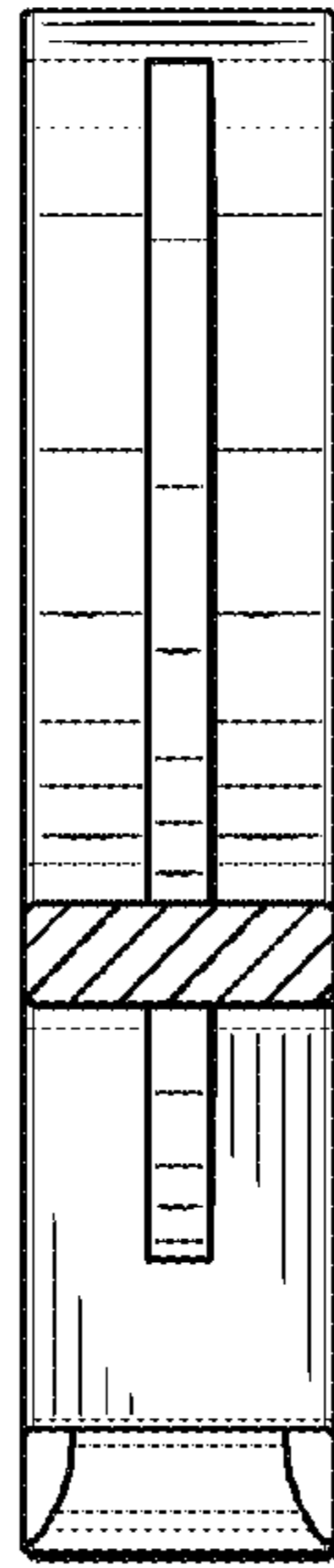


FIG. 5

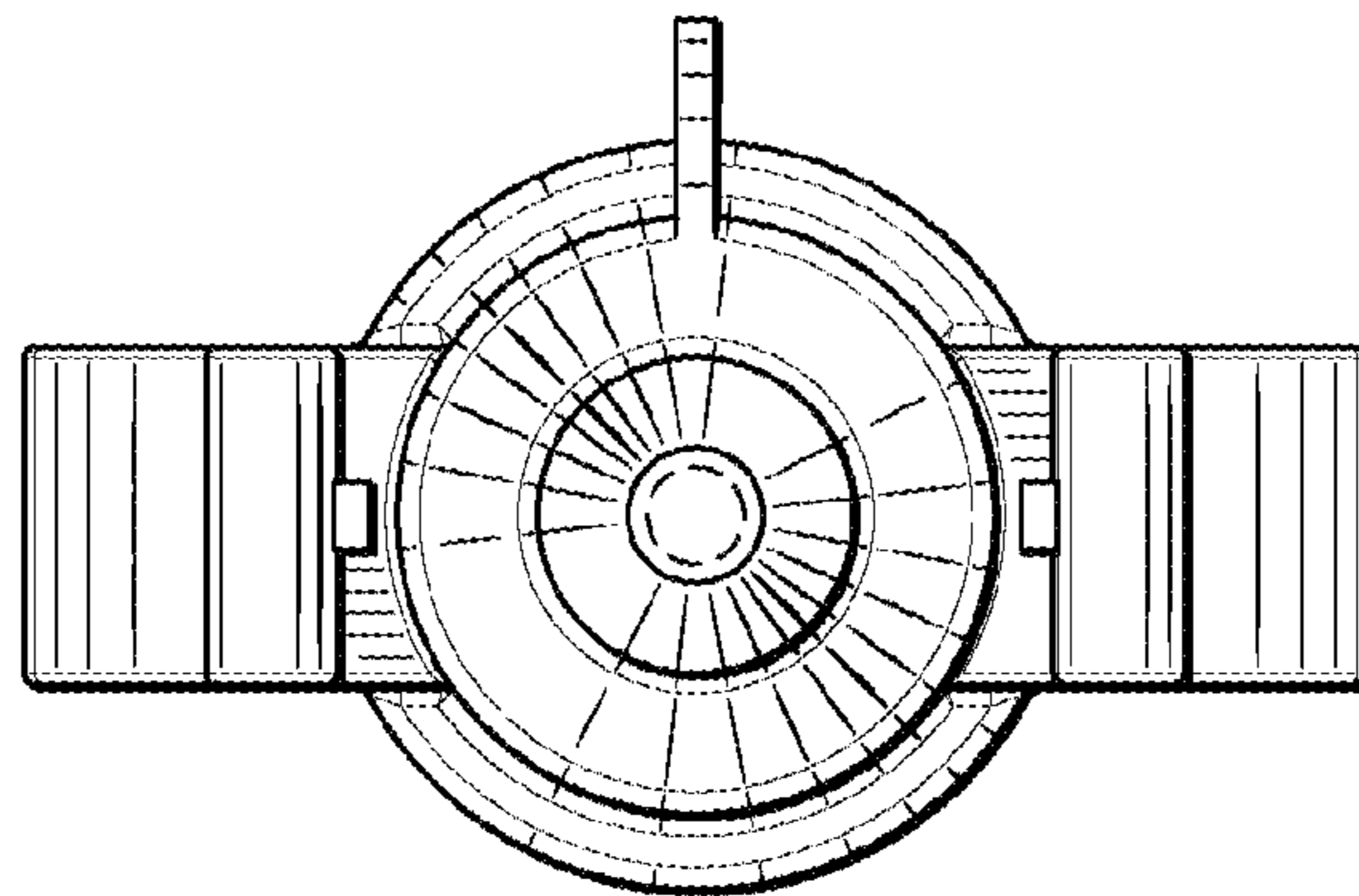


FIG. 6

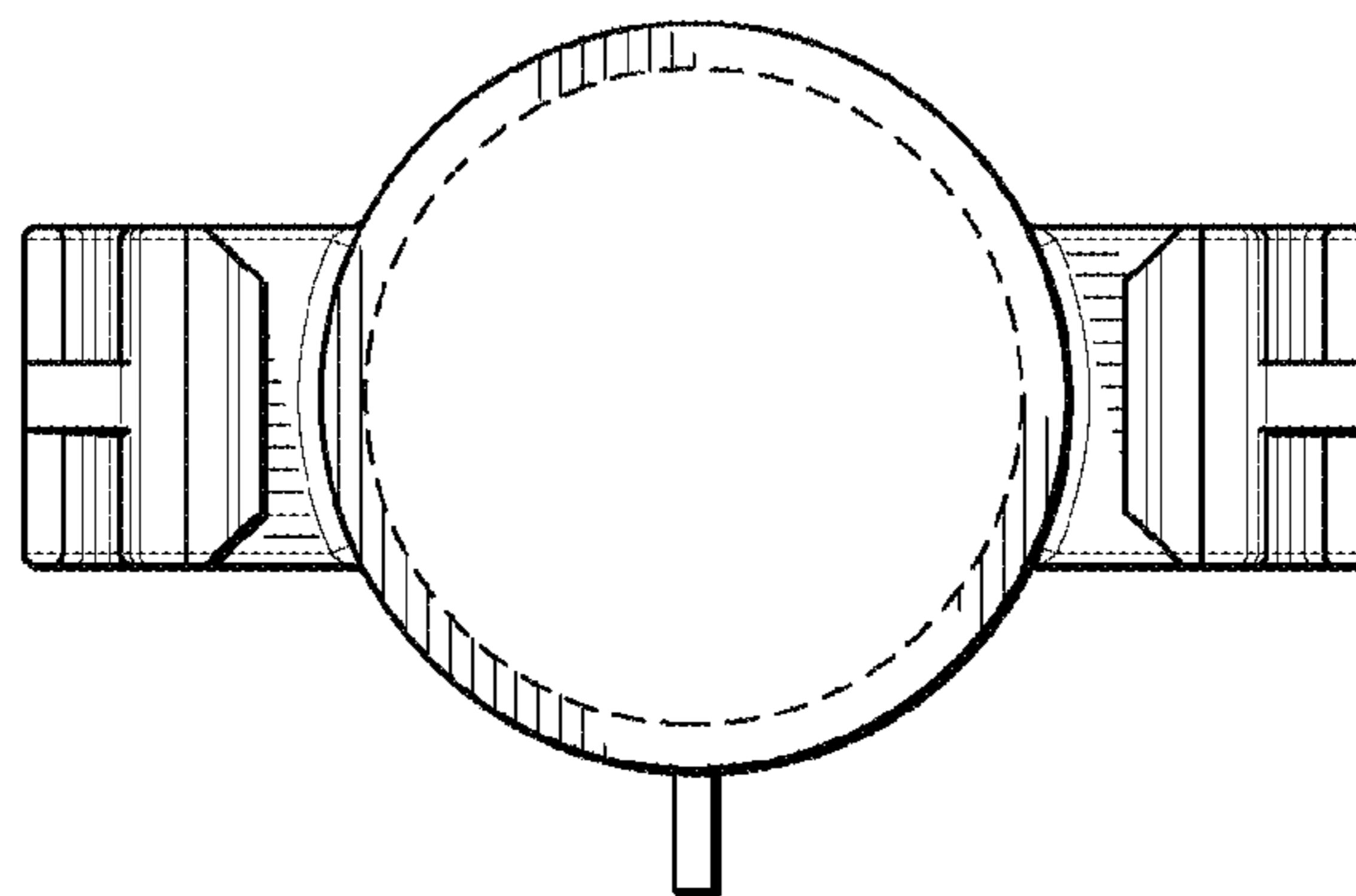


FIG. 7