



US00D688950S

(12) **United States Design Patent**
Doerr et al.

(10) **Patent No.:** **US D688,950 S**

(45) **Date of Patent:** **** Sep. 3, 2013**

(54) **BOTTLE**

(75) Inventors: **Stephen Doerr**, Frisco, TX (US);
Christopher E. Kamiinski, Northfield
Center, OH (US); **Kyle Fleischhacker**,
Brownstown, MI (US)

(73) Assignees: **Dr Pepper/Seven Up, Inc.**, Plano, TX
(US); **Plastipak Packaging, Inc.**,
Plymouth, MI (US)

(**) Term: **14 Years**

(21) Appl. No.: **29/400,867**

(22) Filed: **Sep. 1, 2011**

(51) **LOC (9) Cl.** **09-01**

(52) **U.S. Cl.**
USPC **D9/516; D9/543; D9/559; D9/569;**
D9/570

(58) **Field of Classification Search**
USPC **D9/516, 500, 502-505, 530, 539-542,**
D9/543, 546, 553, 556-559, 560, 562, 566,
D9/569, 570, 573-575; 215/382-384;
220/660, 669, 675
See application file for complete search history.

(56) **References Cited**

U.S. PATENT DOCUMENTS

D192,452 S * 3/1962 Palazzo D9/542
D196,990 S * 11/1963 Dubbs D9/556

D299,314 S * 1/1989 LeFevre D9/558
D353,542 S * 12/1994 Beaver D9/560
D382,485 S * 8/1997 Krishnakumar et al. D9/543
5,758,790 A * 6/1998 Ewing, Jr. 215/384
D448,677 S * 10/2001 Krich D9/553
D452,158 S * 12/2001 Dygert D9/540
D466,024 S * 11/2002 Thierjung et al. D9/556
D503,627 S * 4/2005 Johnston et al. D9/569
D507,746 S * 7/2005 Sasaki et al. D9/516
D535,889 S * 1/2007 Kaminski et al. D9/569

* cited by examiner

Primary Examiner — Wan Laymon

(74) *Attorney, Agent, or Firm* — Michael Woods

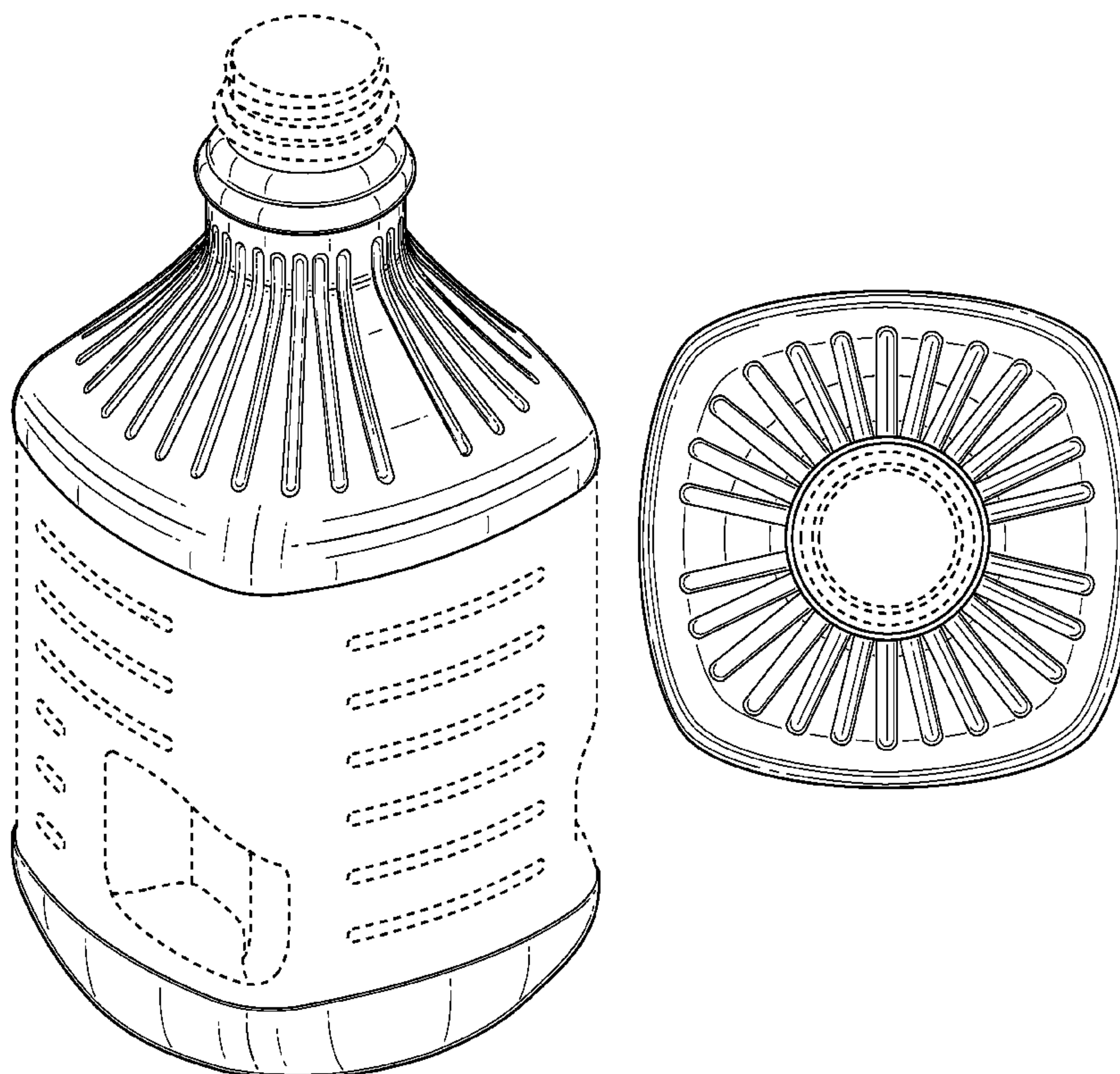
(57) **CLAIM**

We claim the ornamental design for a bottle, as shown and described.

DESCRIPTION

FIG. 1 is top, front, and left side perspective view of the new design for a bottle;
FIG. 2 is a left view of the design;
FIG. 3 is a front view of the design;
FIG. 4 is a right view of the design;
FIG. 5 is a rear view of the design;
FIG. 6 is a top plan view of the design; and,
FIG. 7 is a bottom plan view of the design.
The broken lines in the drawings are for illustrative purposes only and form no part of the claimed design.

1 Claim, 6 Drawing Sheets



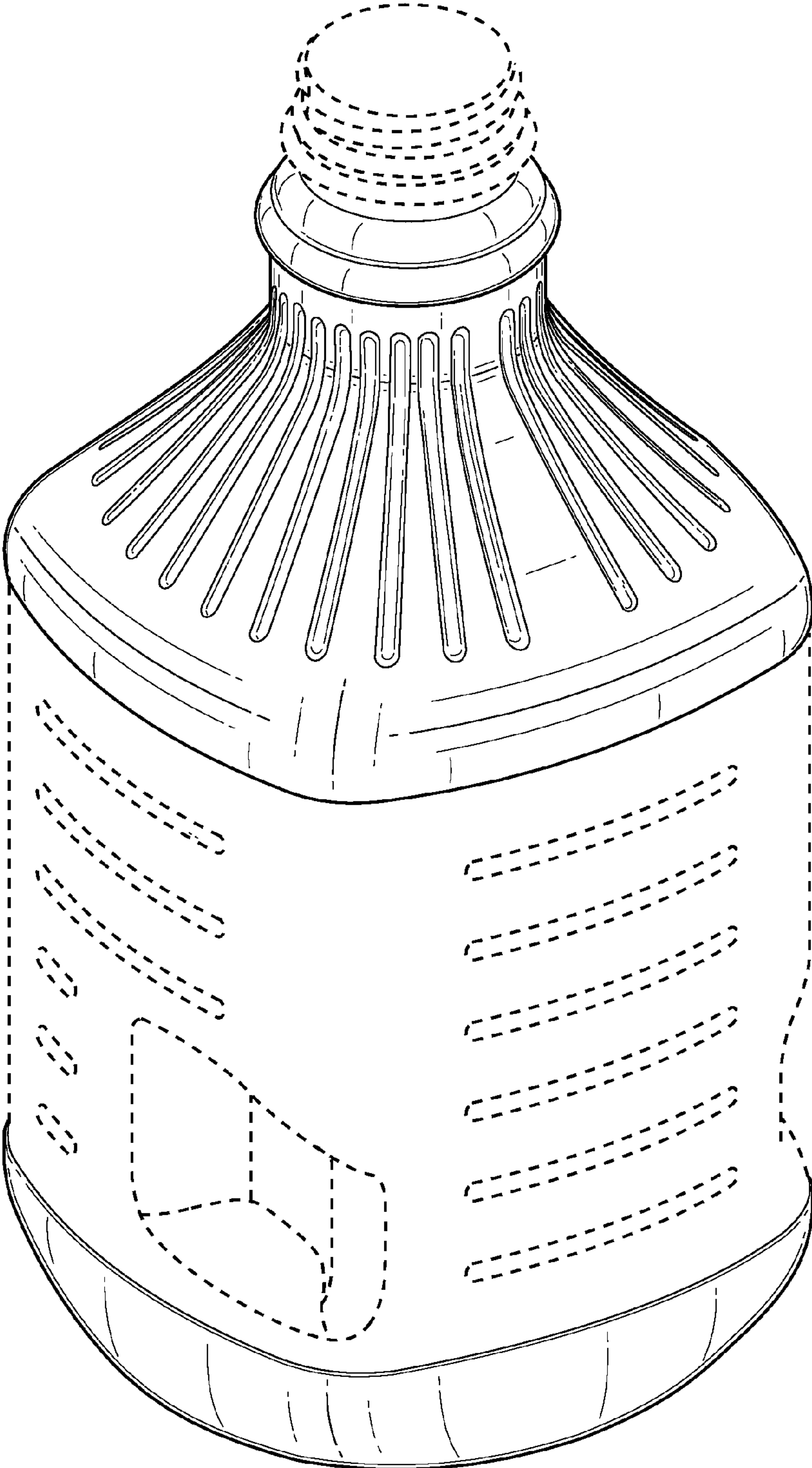


FIG. 1

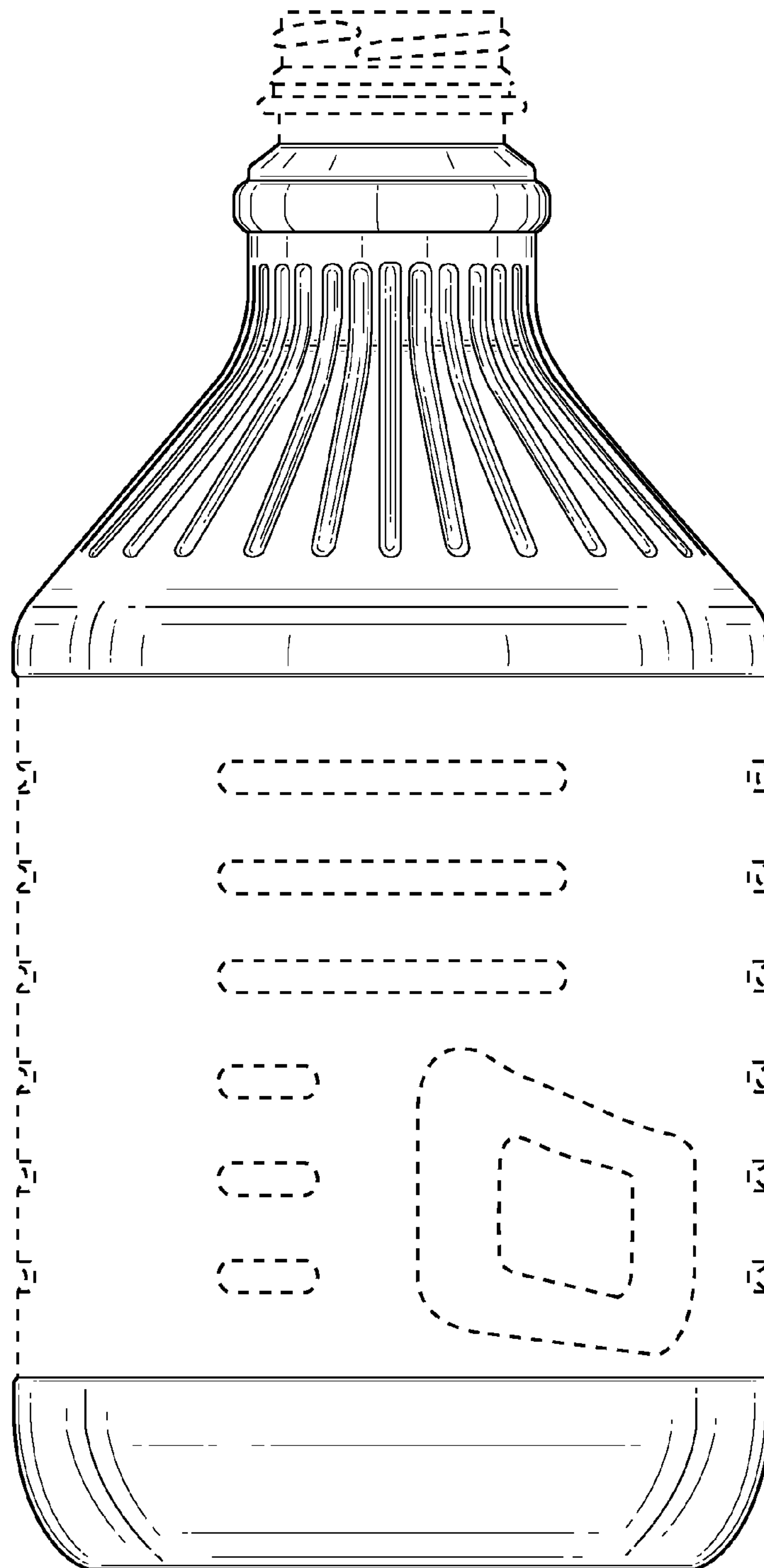


FIG. 2

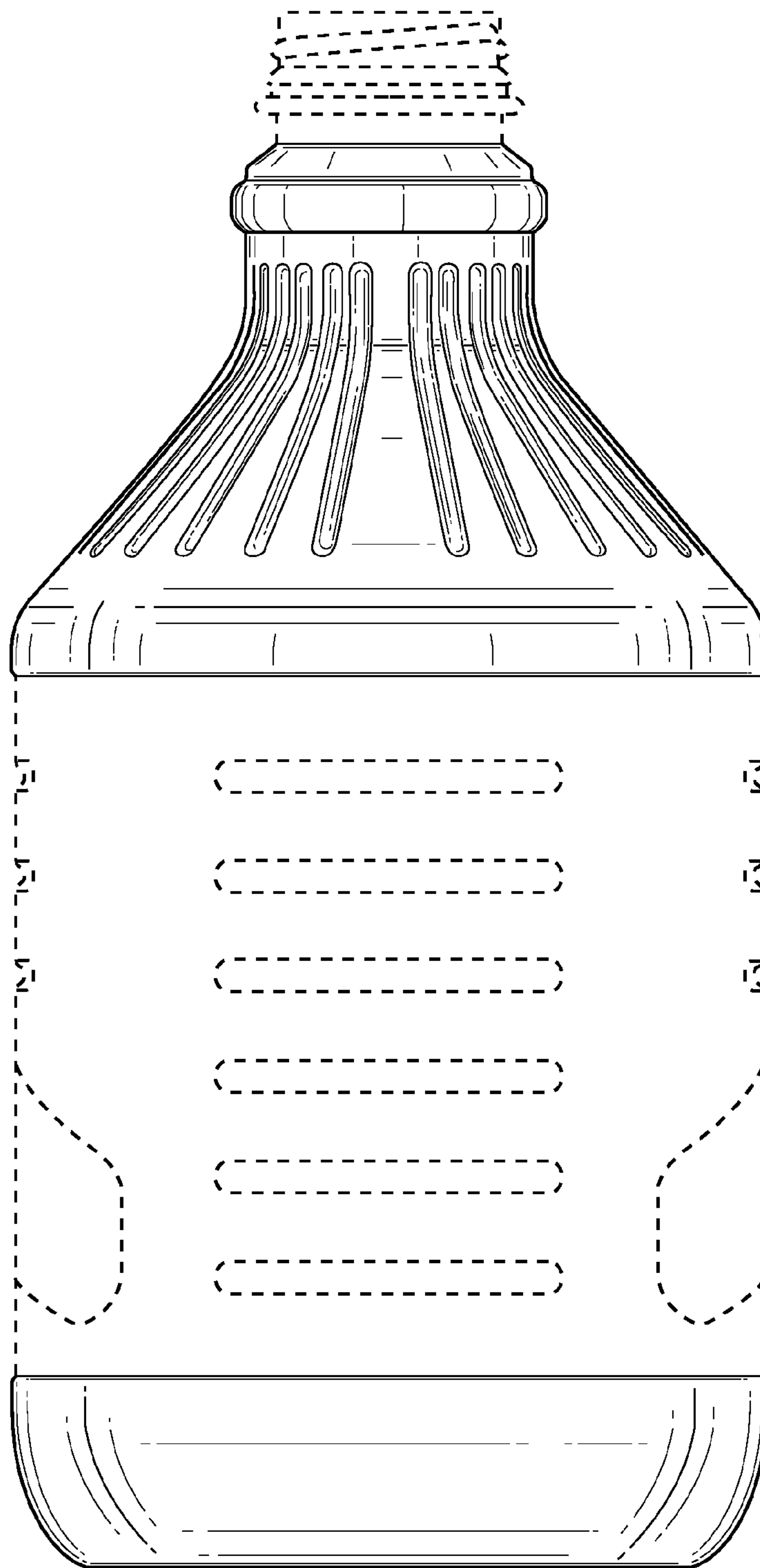


FIG. 3

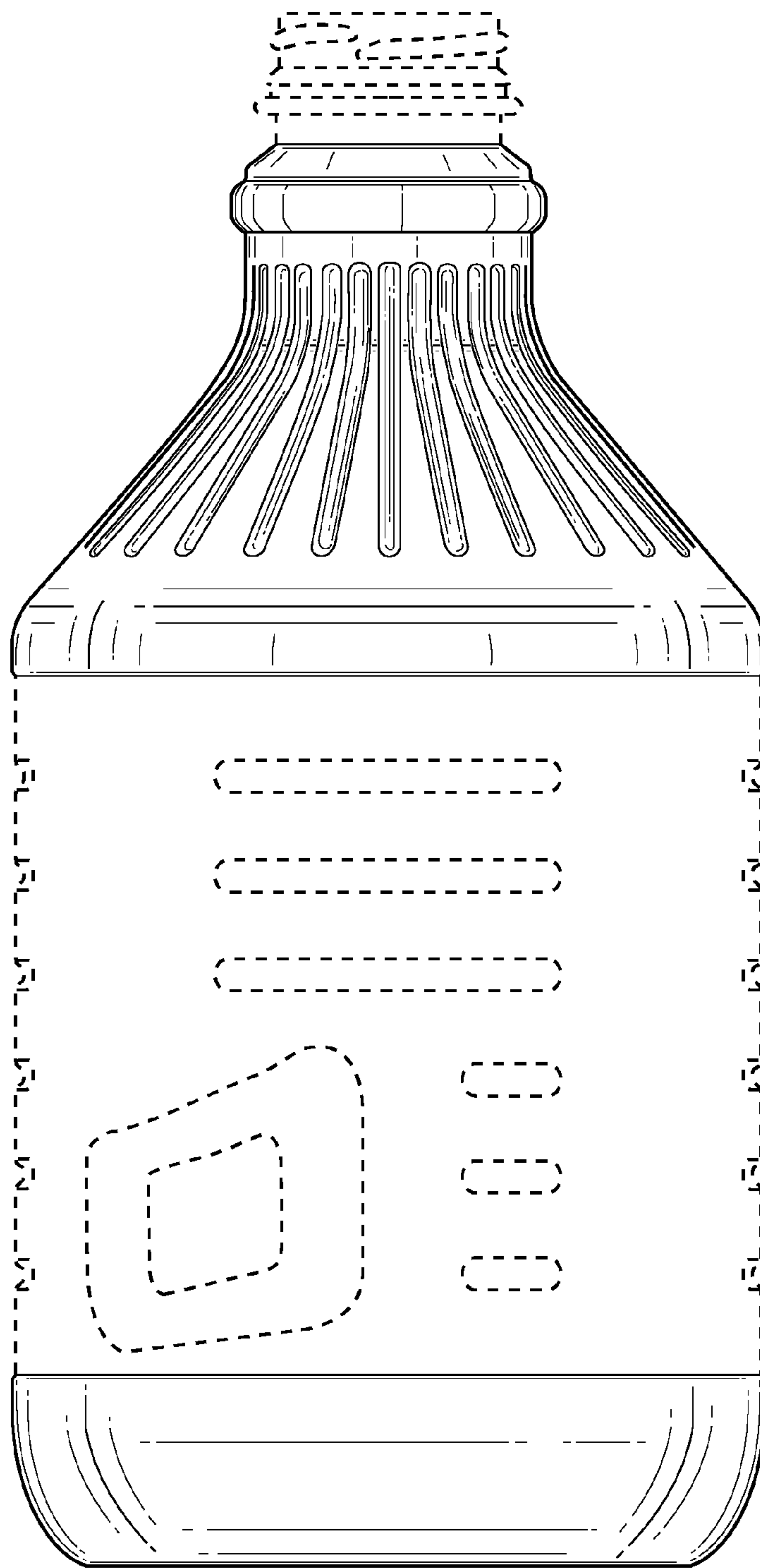


FIG. 4

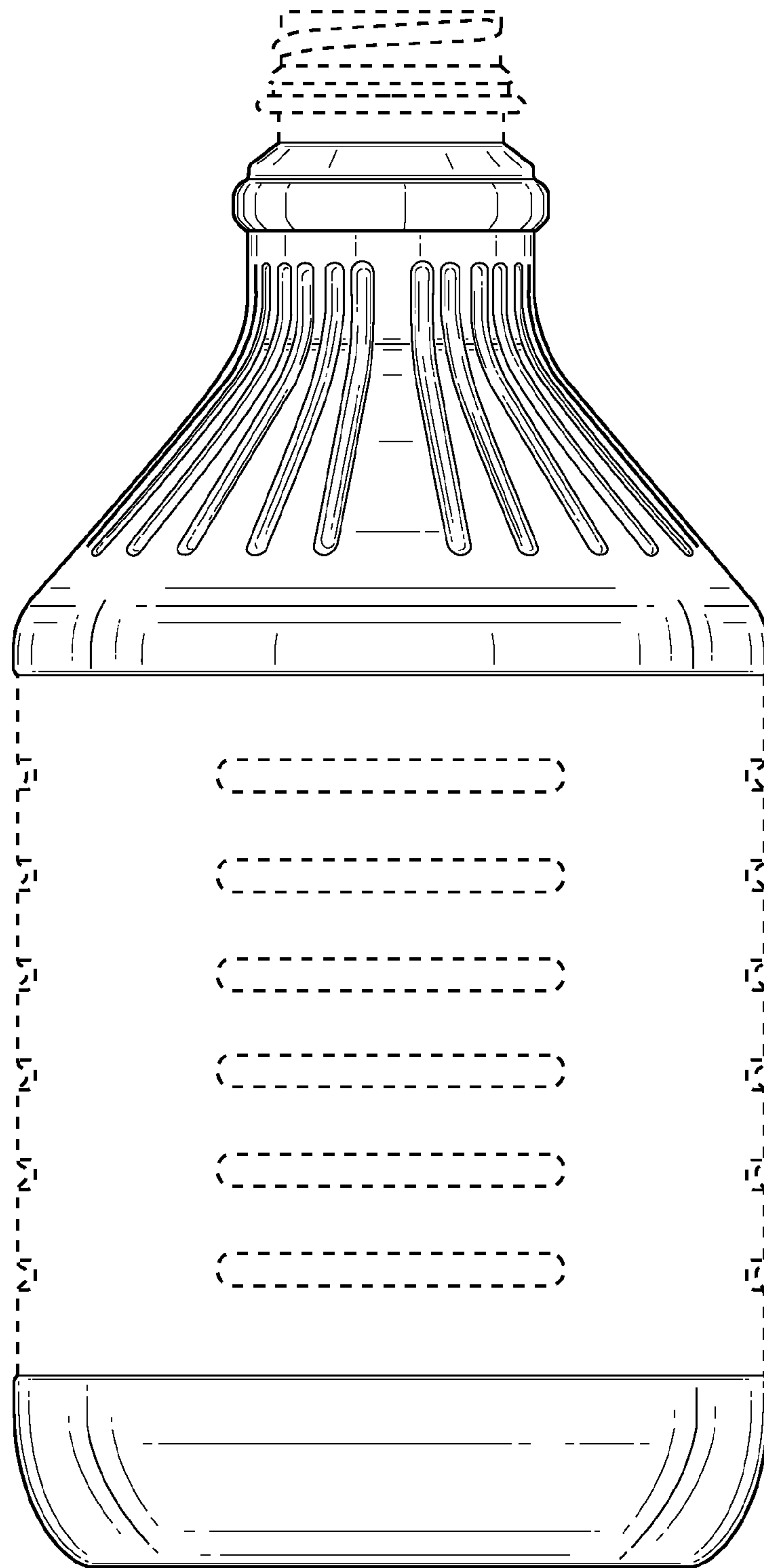


FIG. 5

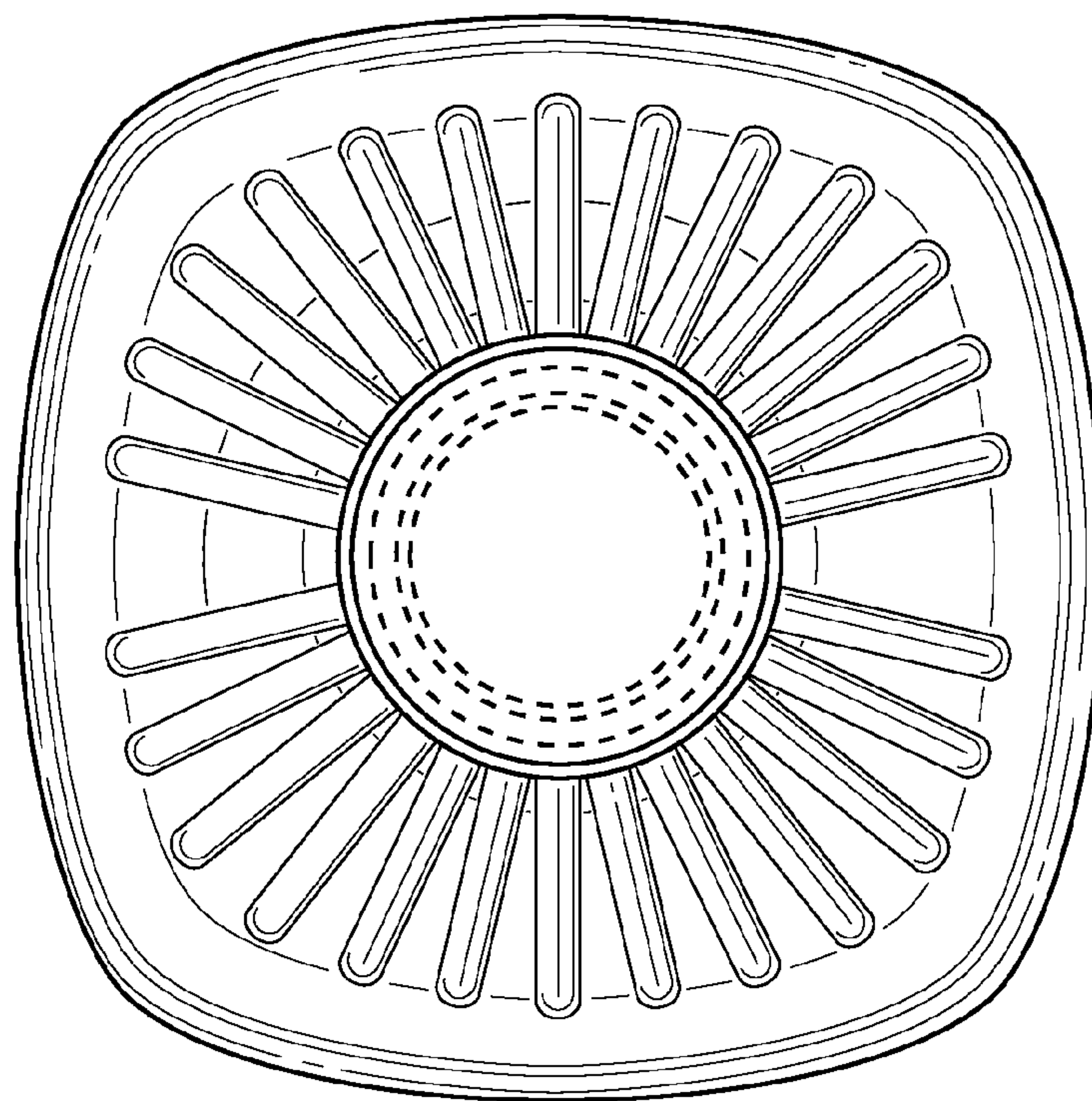


FIG. 6

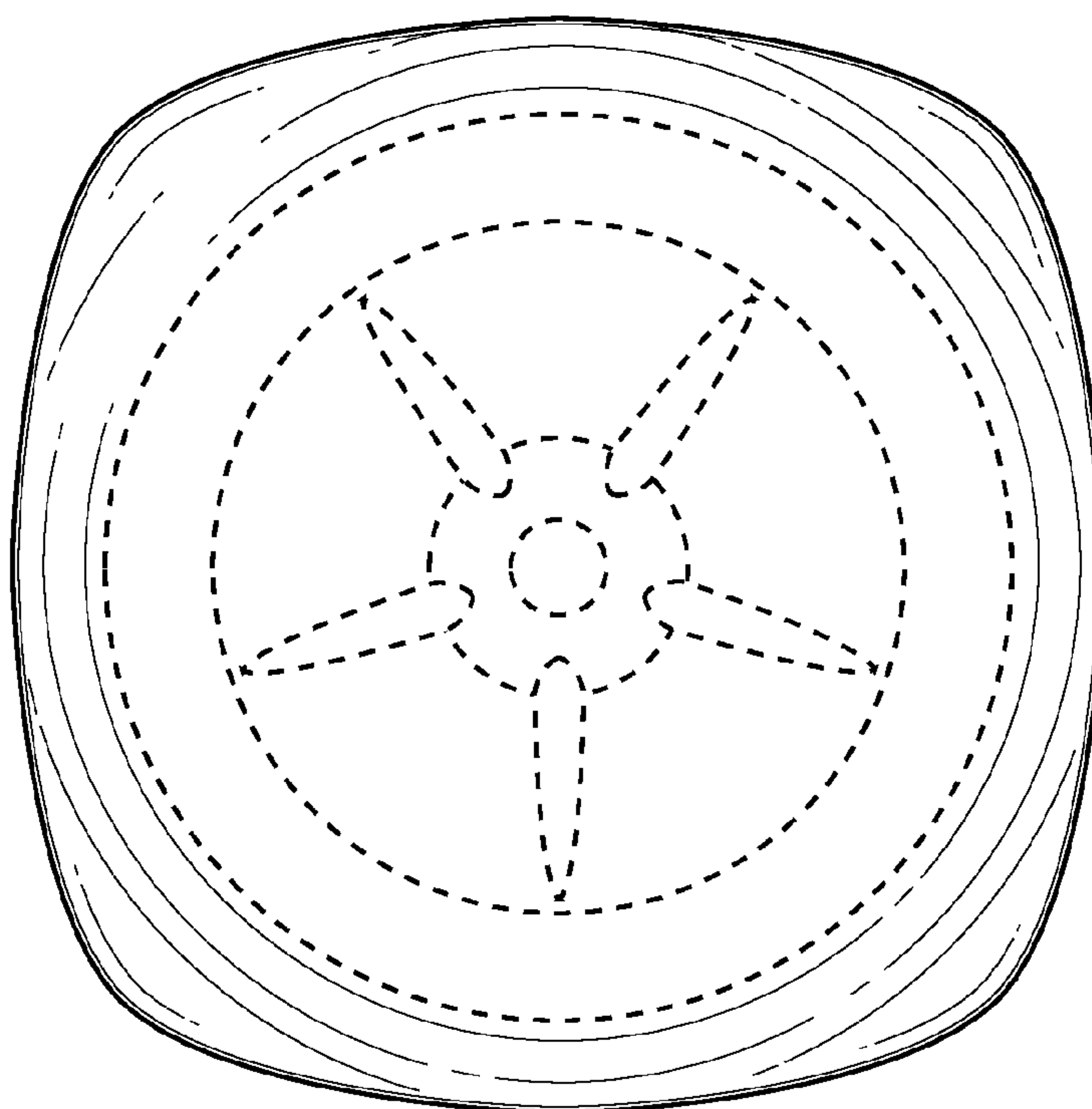


FIG. 7