



US00D688949S

(12) **United States Design Patent**
Johnson et al.

(10) **Patent No.:** **US D688,949 S**
(45) **Date of Patent:** **** *Sep. 3, 2013**

- (54) **BEVERAGE CONTAINER WITH CAP**
- (75) Inventors: **Dean L. Johnson**, Littleton, CO (US);
David L. Bonfoey, Thornton, CO (US)
- (73) Assignee: **Ball Corporation**, Broomfield, CO (US)
- (*) Notice: This patent is subject to a terminal disclaimer.
- (**) Term: **14 Years**
- (21) Appl. No.: **29/408,691**
- (22) Filed: **Dec. 15, 2011**

Related U.S. Application Data

- (62) Division of application No. 29/378,146, filed on Oct. 29, 2010, now Pat. No. Des. 678,772.
 - (51) **LOC (9) Cl.** **09-01**
 - (52) **U.S. Cl.**
USPC **D9/503**; D9/451; D9/772
 - (58) **Field of Classification Search**
USPC D9/500, 502-505, 516, 549, 557-55,
D9/575, 763-764, 772, 779-780, 434-435,
D9/452-454; D7/509-511; 215/379, 381;
220/660, 662, 675
- See application file for complete search history.

(56) **References Cited**

U.S. PATENT DOCUMENTS

D9,991 S	5/1877	Pinckney	
D35,068 S	9/1901	Lorenz	
1,079,403 A	11/1913	Crecelius	
2,157,896 A	5/1939	Held	
D227,656 S *	7/1973	Broadhead	D9/529
D234,291 S *	2/1975	Broadhead	D9/550
3,995,572 A	12/1976	Saunders	
D248,927 S	8/1978	Cassia	

D249,330 S	9/1978	Pigeon
D258,346 S	2/1981	Winchell et al.
D260,732 S	9/1981	Walker
4,741,447 A	5/1988	John
4,777,085 A	10/1988	Murray, Jr. et al.
4,878,589 A	11/1989	Webster et al.
4,928,835 A	5/1990	Collette et al.
D335,455 S	5/1993	Brown
5,251,424 A	10/1993	Zenger et al.
D347,571 S	6/1994	Wacker
D364,347 S	11/1995	Sillince et al.
5,572,893 A	11/1996	Goda et al.
5,605,996 A	2/1997	Chuu et al.
5,660,290 A	8/1997	Hayes

(Continued)

FOREIGN PATENT DOCUMENTS

AU	2003290205	3/2004
CA	2348438	3/2001

(Continued)

OTHER PUBLICATIONS

Johnson et al. U.S. Appl. No. 29/378,145, filed Oct. 29, 2010.

(Continued)

Primary Examiner — Ian Simmons
Assistant Examiner — Dana L Meyrow
(74) *Attorney, Agent, or Firm* — Sheridan Ross P.C.

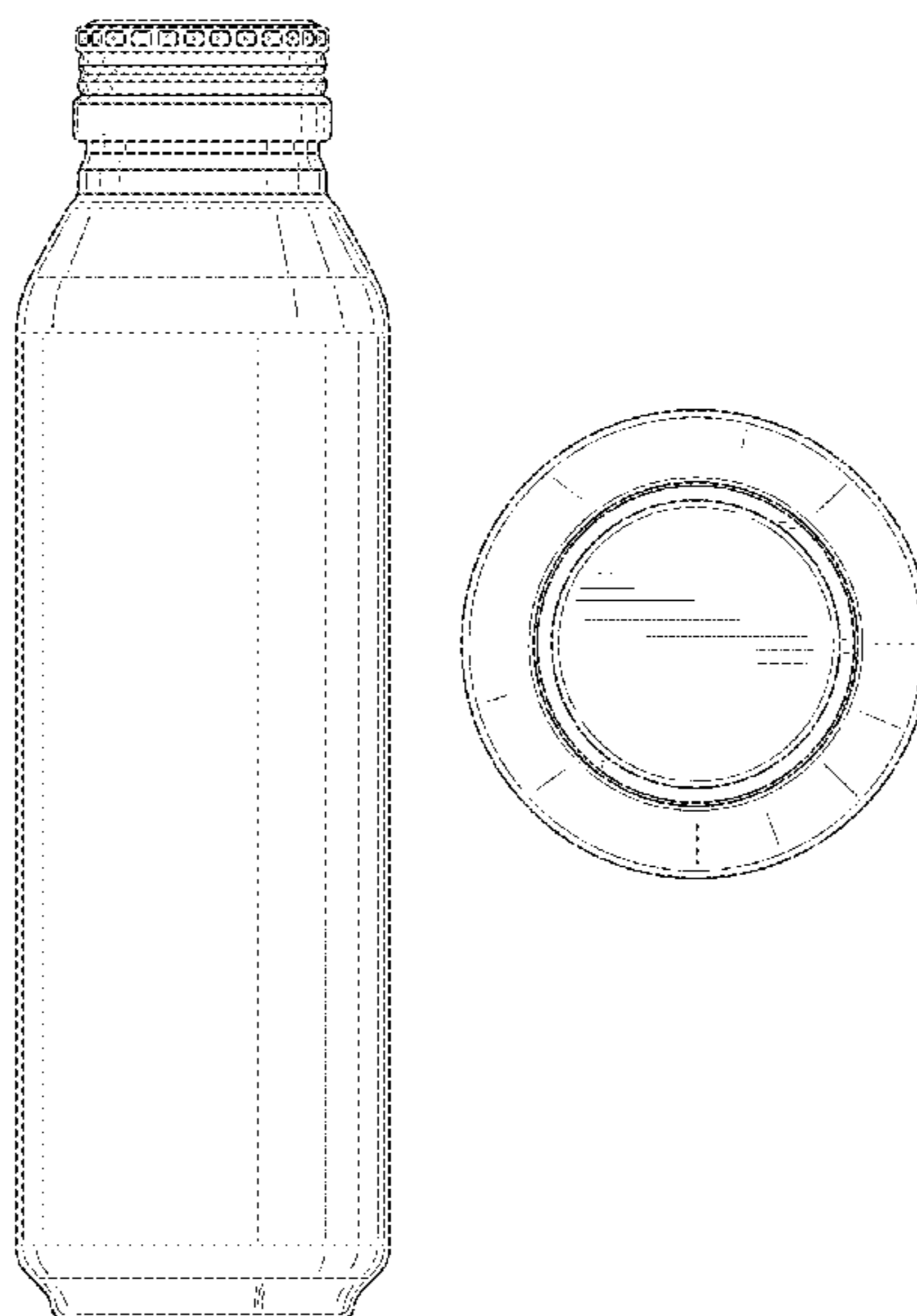
(57) **CLAIM**

The ornamental design for a beverage container with cap, as shown and described.

DESCRIPTION

FIG. 1 is a front perspective view of a beverage container with cap;
FIG. 2 is a front elevation view thereof; and,
FIG. 3 is a top plan view thereof.

1 Claim, 3 Drawing Sheets



(56)

References Cited

U.S. PATENT DOCUMENTS

D383,067 S 9/1997 Gower et al.
 D384,888 S 10/1997 Diekhoff
 5,718,352 A 2/1998 Diekhoff et al.
 5,755,354 A 5/1998 Lang
 5,822,843 A 10/1998 Diekhoff et al.
 D414,238 S 9/1999 Kupperman
 6,010,028 A 1/2000 Jordan et al.
 D422,914 S 4/2000 Lasky
 D435,648 S 12/2000 Shah et al.
 D435,649 S 12/2000 Shah et al.
 6,179,143 B1 1/2001 Grob
 D441,657 S 5/2001 Brown
 6,338,415 B1 1/2002 Grob
 6,375,020 B1 4/2002 Marquez
 6,463,776 B1 10/2002 Enoki et al.
 D475,630 S 6/2003 Canino
 6,779,677 B2 8/2004 Chupak
 6,857,304 B2 2/2005 Enoki
 D503,343 S 3/2005 Canino
 6,907,653 B2 6/2005 Chupak
 6,945,085 B1 9/2005 Goda
 6,959,830 B1 11/2005 Kanou et al.
 D518,732 S * 4/2006 Gedanke et al. D9/529
 D528,000 S 9/2006 Davis et al.
 7,140,223 B2 11/2006 Chupak
 7,171,840 B2 2/2007 Kanou et al.
 D554,000 S 10/2007 Walsh
 D564,881 S 3/2008 Chupak
 D569,252 S 5/2008 Borsari et al.
 D584,623 S 1/2009 Chupak
 D592,060 S 5/2009 Chupak
 D596,488 S 7/2009 Chupak
 D600,556 S 9/2009 Chupak
 D600,557 S 9/2009 Chupak
 D605,040 S 12/2009 Fry et al.
 7,651,651 B2 1/2010 Riffer
 D619,457 S 7/2010 Walsh
 D619,458 S 7/2010 Walsh
 D619,459 S 7/2010 Walsh
 D620,360 S 7/2010 Walsh
 D622,145 S 8/2010 Walsh
 7,798,357 B2 9/2010 Hanafusa et al.
 D638,708 S 5/2011 Walsh
 7,946,436 B2 5/2011 Laveault et al.
 D639,164 S 6/2011 Walsh
 D644,515 S 9/2011 Tieleman et al.
 8,016,148 B2 9/2011 Walsh
 D646,165 S 10/2011 Chupak
 D646,166 S 10/2011 Chupak
 D653,966 S * 2/2012 Kohara et al. D9/774
 D654,379 S * 2/2012 Kohara et al. D9/774
 D654,380 S * 2/2012 Kohara et al. D9/774
 D656,822 S 4/2012 Jacober
 D671,010 S 11/2012 Shefler
 2003/0102278 A1 6/2003 Chupak
 2004/0035871 A1 2/2004 Chupak
 2005/0127077 A1 6/2005 Chupak

2007/0017089 A1 1/2007 Hosoi
 2007/0051687 A1 3/2007 Olson
 2008/0047922 A1 2/2008 Olson et al.
 2009/0261101 A1 10/2009 Forrest et al.
 2010/0252524 A1 10/2010 Dubs et al.
 2010/0282706 A1 11/2010 Gilliam

FOREIGN PATENT DOCUMENTS

CA	2352747	4/2001
CA	2495205	3/2004
CN	1675010	9/2005
DE	60218219	10/2007
EP	0381322	8/1990
EP	0949216	10/1999
EP	1461262	9/2004
EP	1531952	8/2006
EP	1731239	9/2009
EP	2119515	11/2009
WO	WO 88/08398	11/1988
WO	WO 95/10487	4/1995
WO	WO 99/38914	8/1999
WO	WO 01/15829	3/2001
WO	DM/062281	12/2002
WO	DM/063368	4/2003
WO	WO 03/047991	6/2003
WO	WO 2004/018121	3/2004
WO	WO 2004/039511	5/2004
WO	WO 2004/106426	12/2004
WO	WO 2008/103629	8/2008
WO	WO 2009/131994	10/2009

OTHER PUBLICATIONS

Johnson et al., U.S. Appl. No. 29/378,146, filed Oct. 29, 2010.
 Johnson et al., U.S. Appl. No. 29/378,147, filed Oct. 29, 2010.
 Johnson et al., U.S. Appl. No. 29/386,520, filed Mar. 2, 2011.
 Jacober, U.S. Appl. No. 29/386,578, filed Mar. 2, 2011.
 Johnson et al. U.S. Appl. No. 29/408,689, filed Dec. 15, 2011.
 Johnson et al. U.S. Appl. No. 29/408,690, filed Dec. 15, 2011.
 Jacober U.S. Appl. No. 29/411,487, filed Jan. 20, 2012.
 Jacober et al. U.S. Appl. No. 29/411,761, filed Jan. 25, 2012.
 Official Action for U.S. Appl. No. 29/378,146, mailed Nov. 10, 2011
 6 pages Restriction Requirement.
 Official Action for U.S. Appl. No. 29/378,146, mailed Mar. 26, 2012
 7 pages.
 Official Action for U.S. Appl. No. 29/408,690, mailed Mar. 28, 2012
 9 pages.
 Official Action for U.S. Appl. No. 29/378,145, mailed Mar. 27, 2012
 8 pages.
 U.S. Appl. No. 29/437,705, filed Nov. 13, 2012, Hines.
 "100% Recyclable—Bottlecan by CCL Container," at www.Bottlecan.com/recycle.html, Jun. 22, 2011, 1 page.
 "Aluminum Beer Bottles," at www.bottless.org/Aluminum_Beer_Bottles_s/566.htm, Jun. 22, 2011, 2 pages.
 Wikipedia, "Aluminium bottle," at www.en.wikipedia.org/wiki/Aluminium_bottle, Jun. 22, 2011, 4 pages.

* cited by examiner

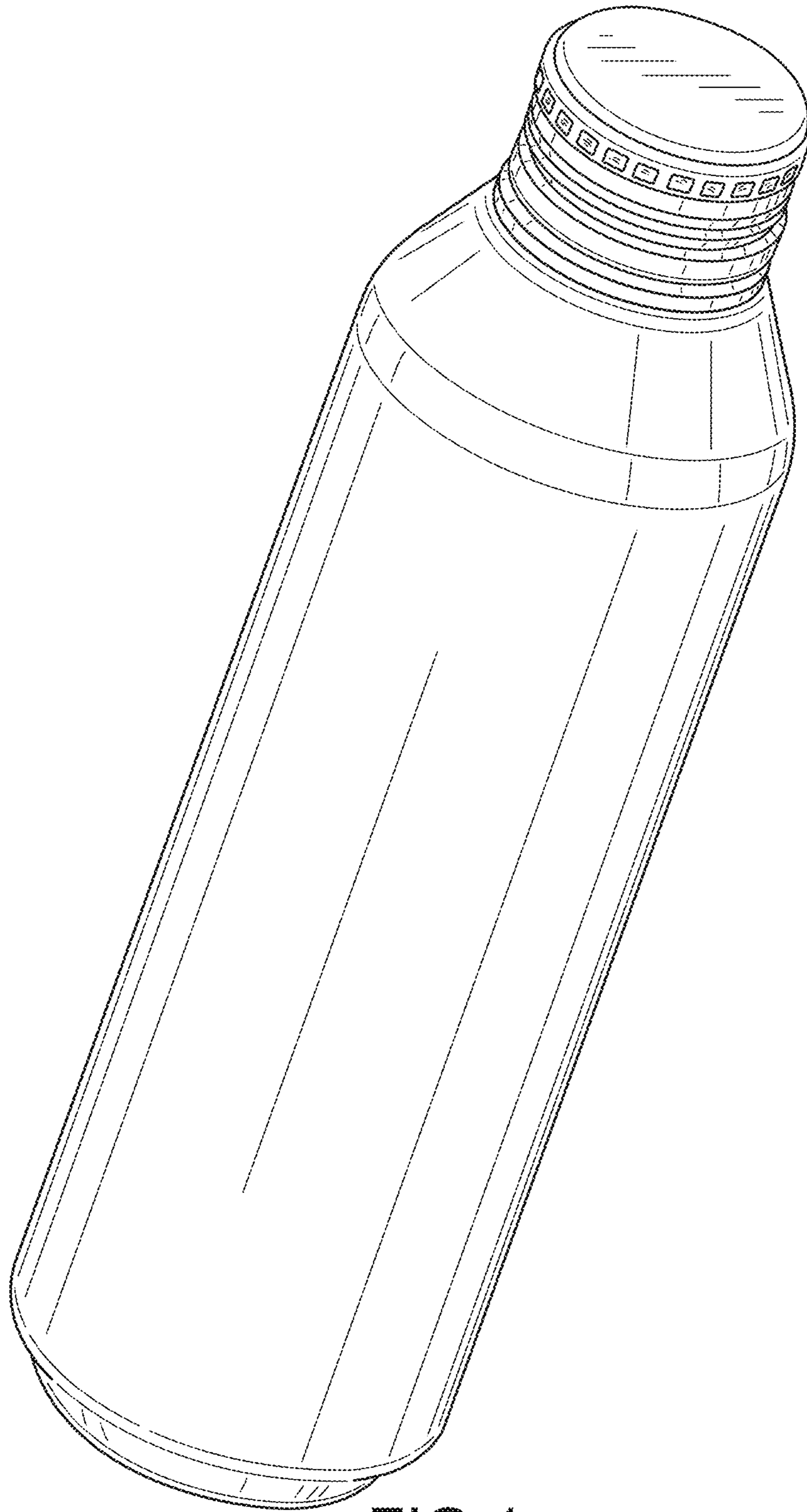


FIG. 1

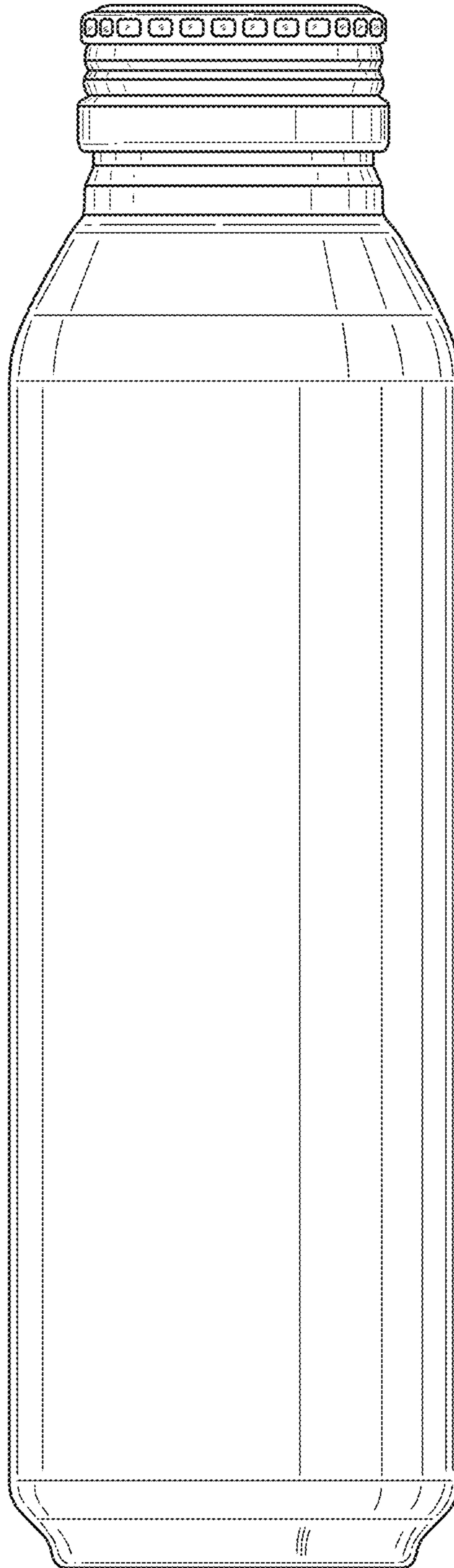


FIG.2

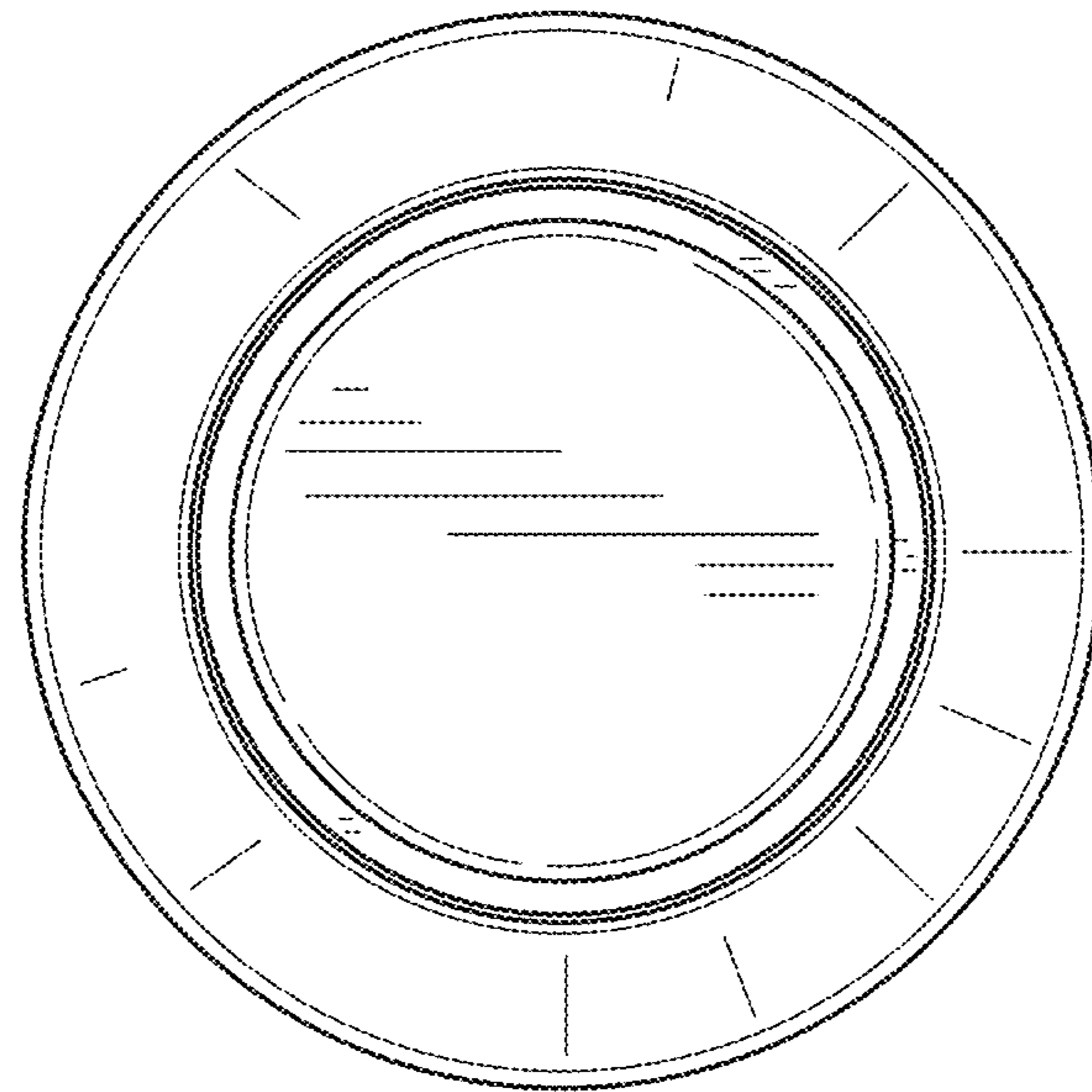


FIG.3