



US00D688945S

(12) **United States Design Patent**
Kim

(10) **Patent No.:** **US D688,945 S**

(45) **Date of Patent:** **** Sep. 3, 2013**

(54) **CAP FOR COSMETIC CONTAINERS**

(75) **Inventor:** **Sung-Hwan Kim**, Incheon (KR)

(73) **Assignee:** **Yonwoo Co., Ltd**, Incheon (KR)

(**) **Term:** **14 Years**

(21) **Appl. No.:** **29/413,516**

(22) **Filed:** **Feb. 16, 2012**

(51) **LOC (9) Cl.** **09-07**

(52) **U.S. Cl.**
USPC **D9/452**

(58) **Field of Classification Search**
USPC D9/667, 454, 453, 452, 450, 449,
D9/445, 443, 441, 435; D23/253, 250;
220/270-276; 215/228, 217-223, 209
See application file for complete search history.

(56) **References Cited**

U.S. PATENT DOCUMENTS

D256,558 S *	8/1980	Smith	D9/454
D311,868 S *	11/1990	Armstrong	D9/453
D375,264 S *	11/1996	Galarza et al.	D9/453
D519,837 S *	5/2006	Sturk et al.	D9/453

D521,382 S *	5/2006	Gross et al.	D9/452
D530,205 S *	10/2006	Lohrman	D9/453
D547,172 S *	7/2007	Kent et al.	D8/397
2005/0017008 A1 *	1/2005	Taylor et al.	220/288

FOREIGN PATENT DOCUMENTS

KR 30-0620671 11/2011

* cited by examiner

Primary Examiner — Susan Bennett Hattan

(57) **CLAIM**

The ornamental design for a cap for cosmetic containers, as shown and described.

DESCRIPTION

FIG. 1 is a perspective view of a cap for cosmetic containers showing my new design view;
FIG. 2 is a front elevational view thereof;
FIG. 3 is a rear elevational view thereof;
FIG. 4 is a left side elevational view thereof, where the right elevational view is symmetrical with the left elevational view;
FIG. 5 is a top plan view thereof; and,
FIG. 6 shows the cap in use, the broken lines depicting environment only and forming no part of the claimed design.

1 Claim, 3 Drawing Sheets

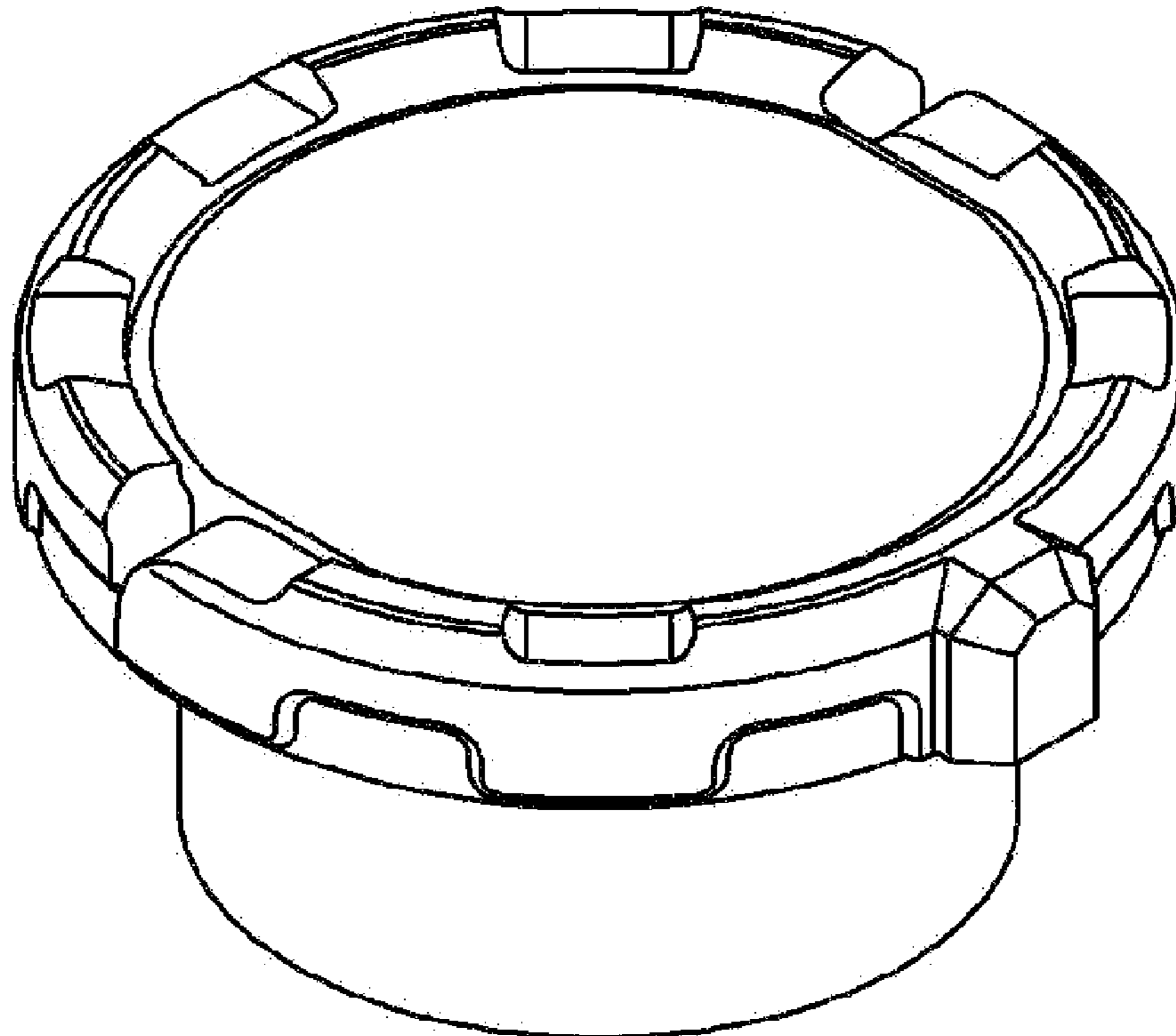


Fig. 1

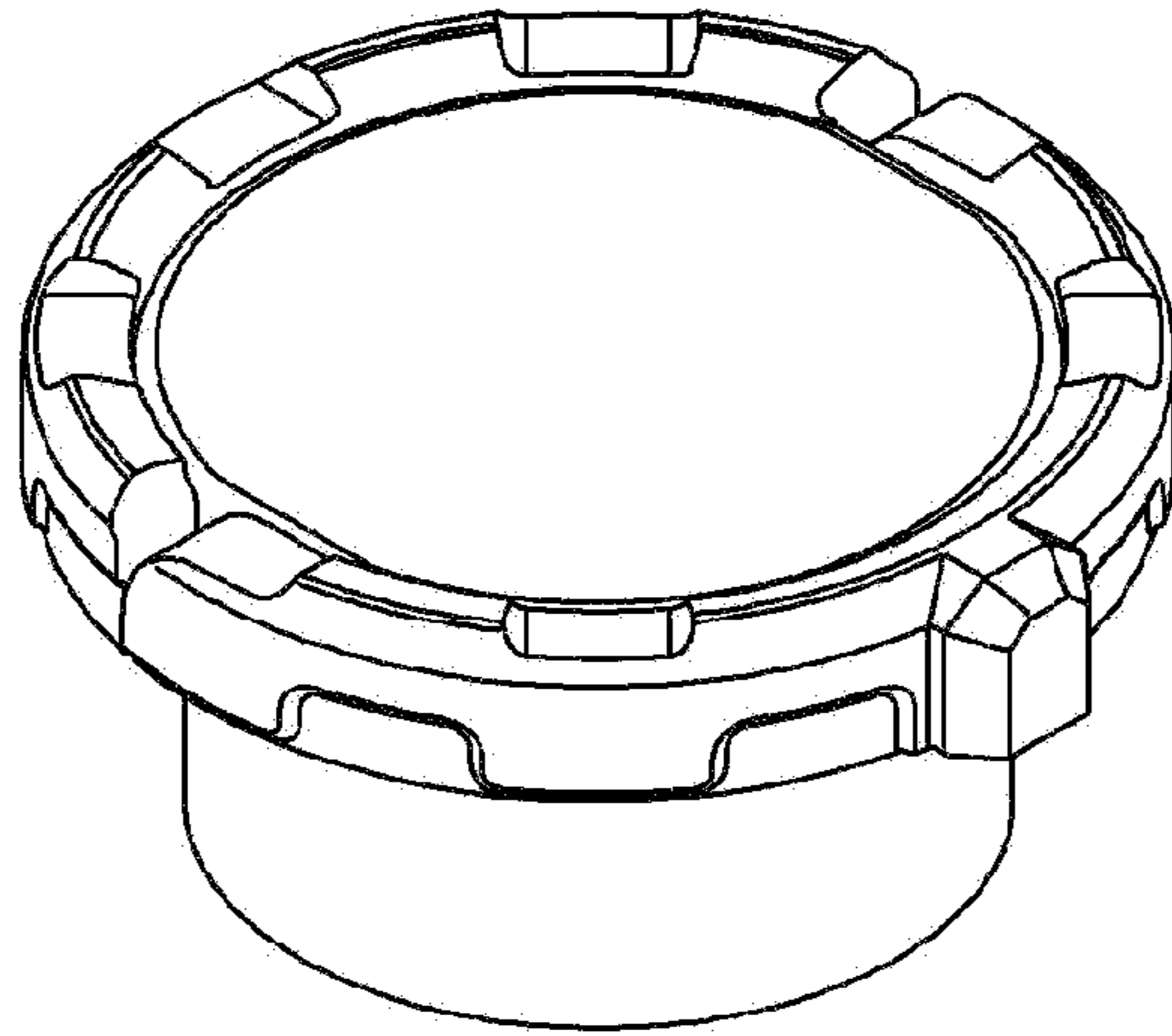


Fig. 2

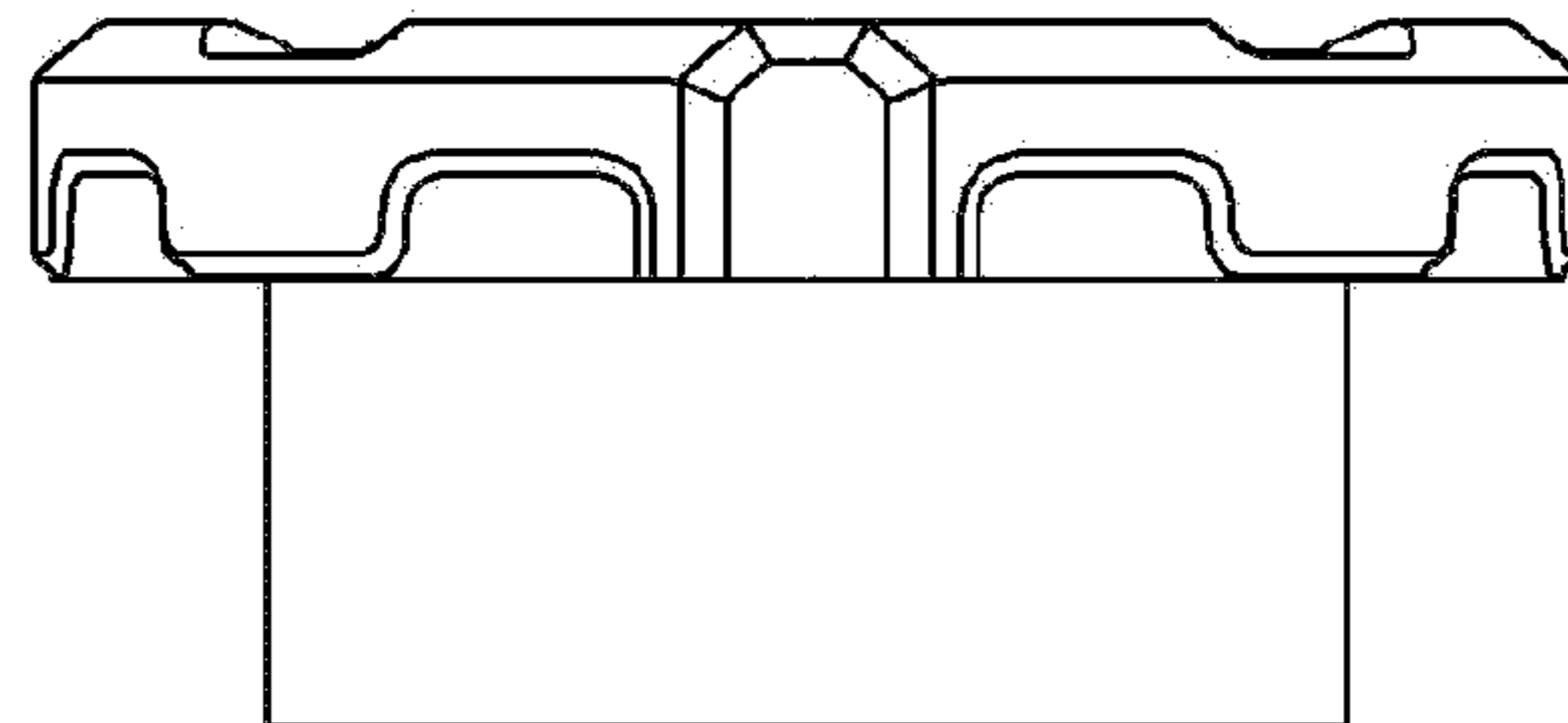


Fig. 3

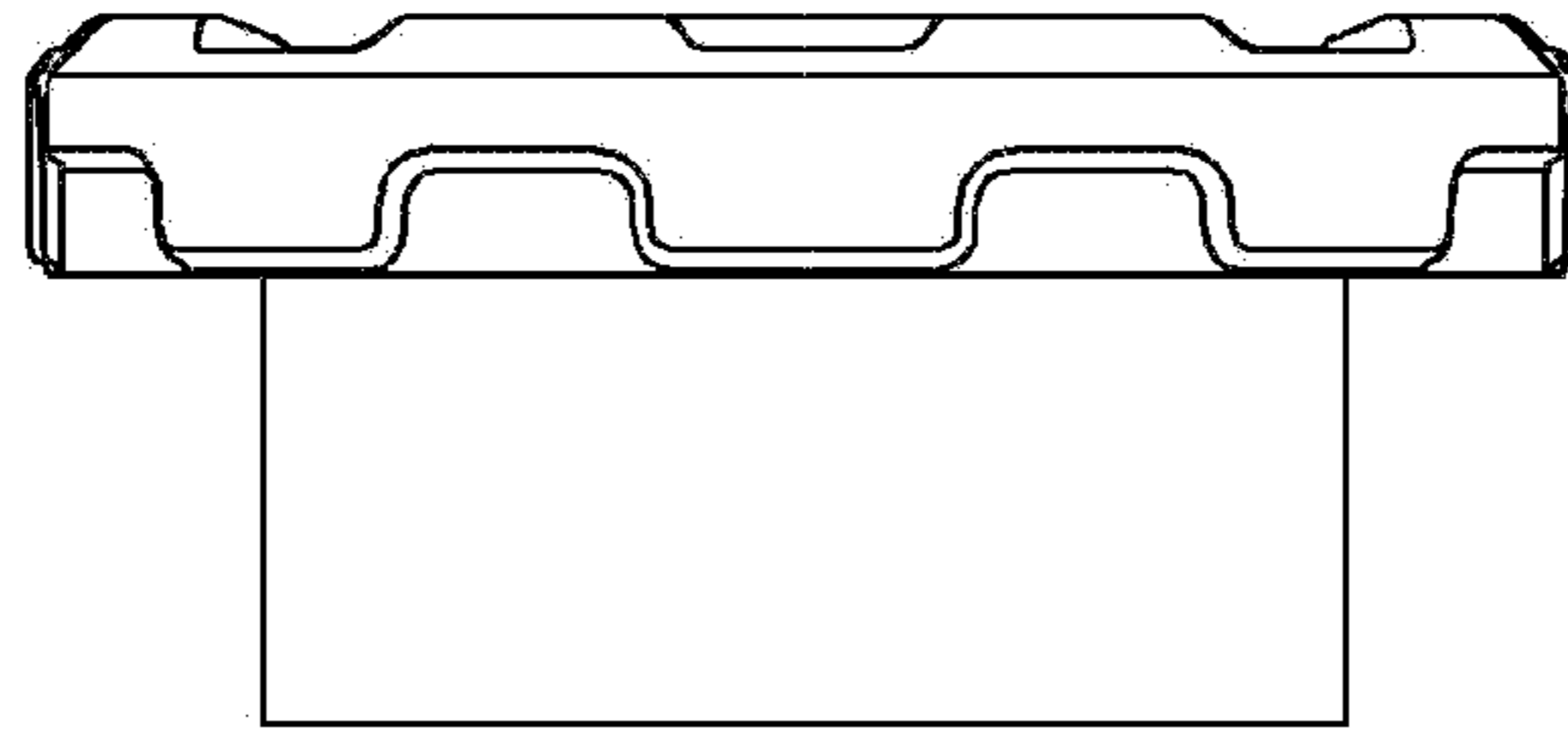


Fig. 4

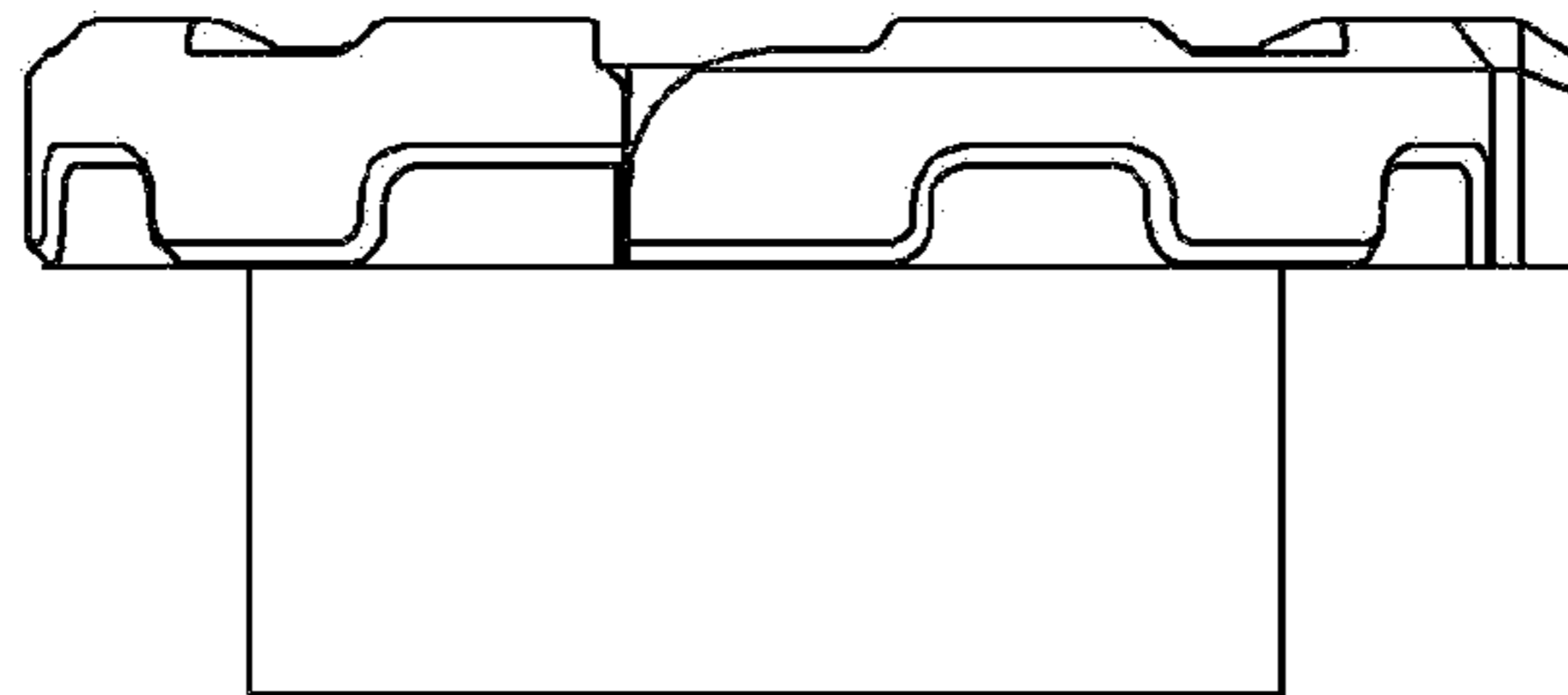


Fig. 5

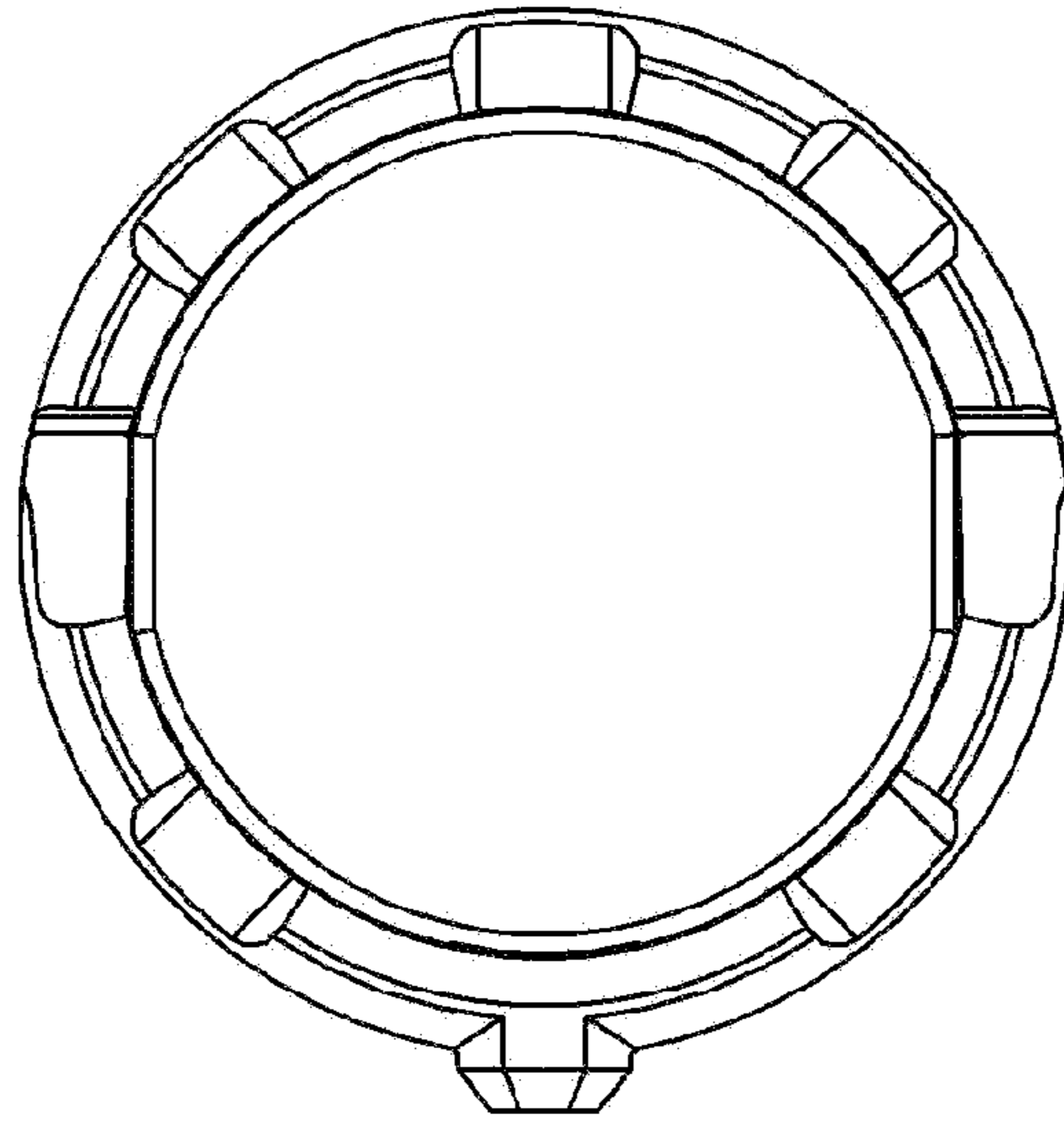


Fig. 6

