



US00D688941S

(12) **United States Design Patent**
Sifuentes et al.

(10) **Patent No.:** **US D688,941 S**

(45) **Date of Patent:** **** Sep. 3, 2013**

(54) **BOWL**

(71) Applicant: **Direct Pack, Inc.**, Sun Valley, CA (US)

(72) Inventors: **Gandhi B. Sifuentes**, West Covina, CA (US); **Craig R. Snedden**, Culver City, CA (US)

(73) Assignee: **Direct Pack, Inc.**, Sun Valley, CA (US)

(**) Term: **14 Years**

(21) Appl. No.: **29/438,977**

(22) Filed: **Dec. 5, 2012**

(51) **LOC (9) Cl.** **09-03**

(52) **U.S. Cl.**
USPC **D9/432; D7/602**

(58) **Field of Classification Search**
USPC D9/414, 416, 418, 420-426, 428,
D9/429, 430-433; D7/354, 545, 566, 601,
D7/602, 630; 220/574, 495.03, 520, 529,
220/62.13; D3/202

See application file for complete search history.

(56) **References Cited**

U.S. PATENT DOCUMENTS

4,026,458 A * 5/1977 Morris et al. 229/182.1
D469,313 S * 1/2003 Thonis et al. D7/602

D505,043 S * 5/2005 Isler et al. D7/354
D544,755 S * 6/2007 Diesman D7/602
D573,411 S * 7/2008 Lovett D7/554.3
D609,532 S * 2/2010 Koennecke D7/584
D615,821 S * 5/2010 Stamper D7/541
D631,300 S * 1/2011 Samartgis D7/602
D632,135 S * 2/2011 Green-Cotton et al. D7/587
D665,663 S * 8/2012 Krupa D9/428
D672,612 S * 12/2012 Stamper et al. D7/602
D679,586 S * 4/2013 Afford et al. D9/425

* cited by examiner

Primary Examiner — Susan Bennett Hattan

Assistant Examiner — Vy Koenig

(74) *Attorney, Agent, or Firm* — Frost Brown Todd LLC

(57) **CLAIM**

The ornamental design for a bowl, as shown and described.

DESCRIPTION

FIG. 1 is a top perspective view of a bowl, showing our new design;

FIG. 2 is a bottom perspective view thereof;

FIG. 3 is a front elevation view thereof;

FIG. 4 is a rear elevation view thereof;

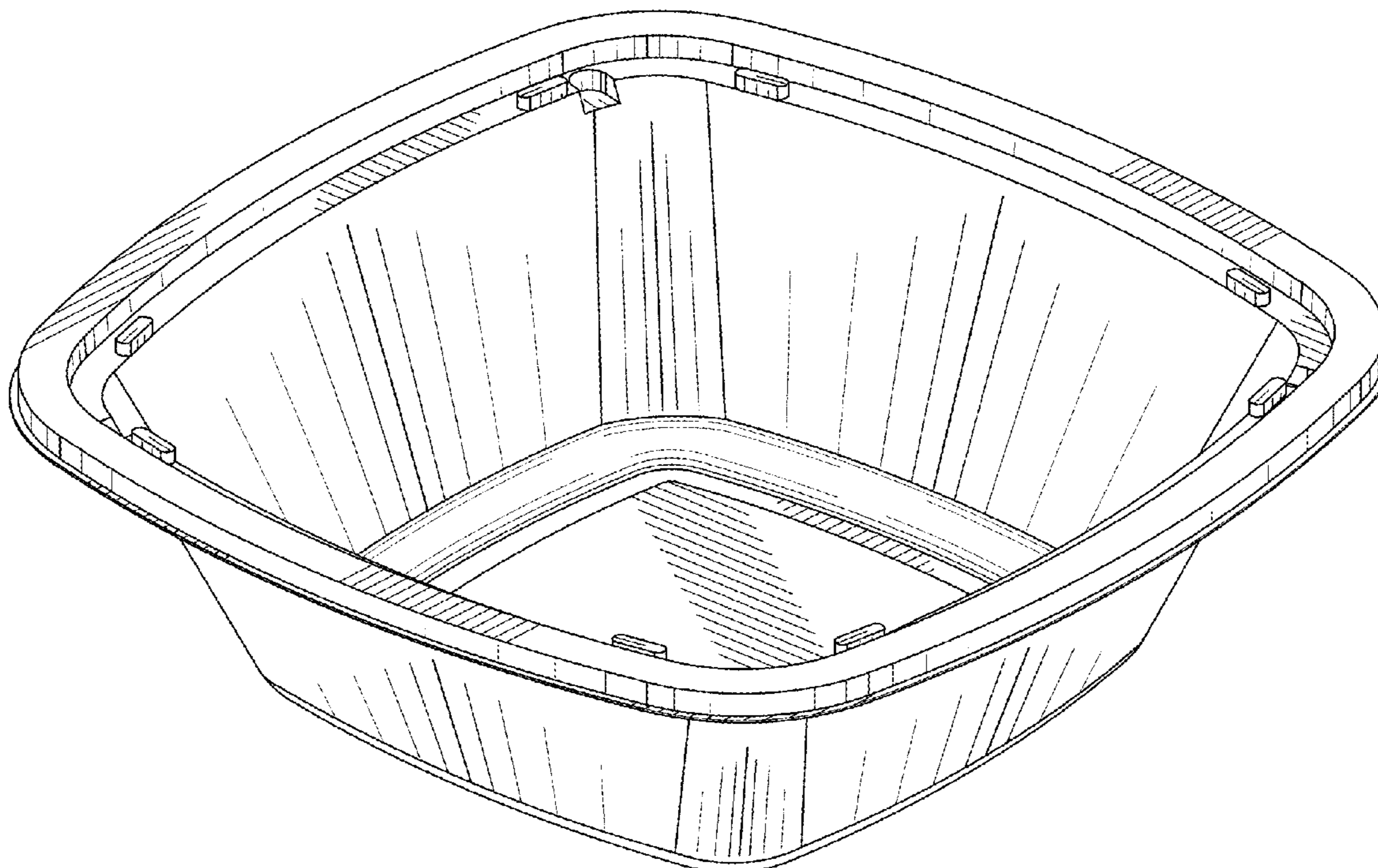
FIG. 5 is a left elevation view thereof;

FIG. 6 is a right elevation view thereof;

FIG. 7 is a top plan view thereof; and,

FIG. 8 is a bottom plan view thereof.

1 Claim, 8 Drawing Sheets



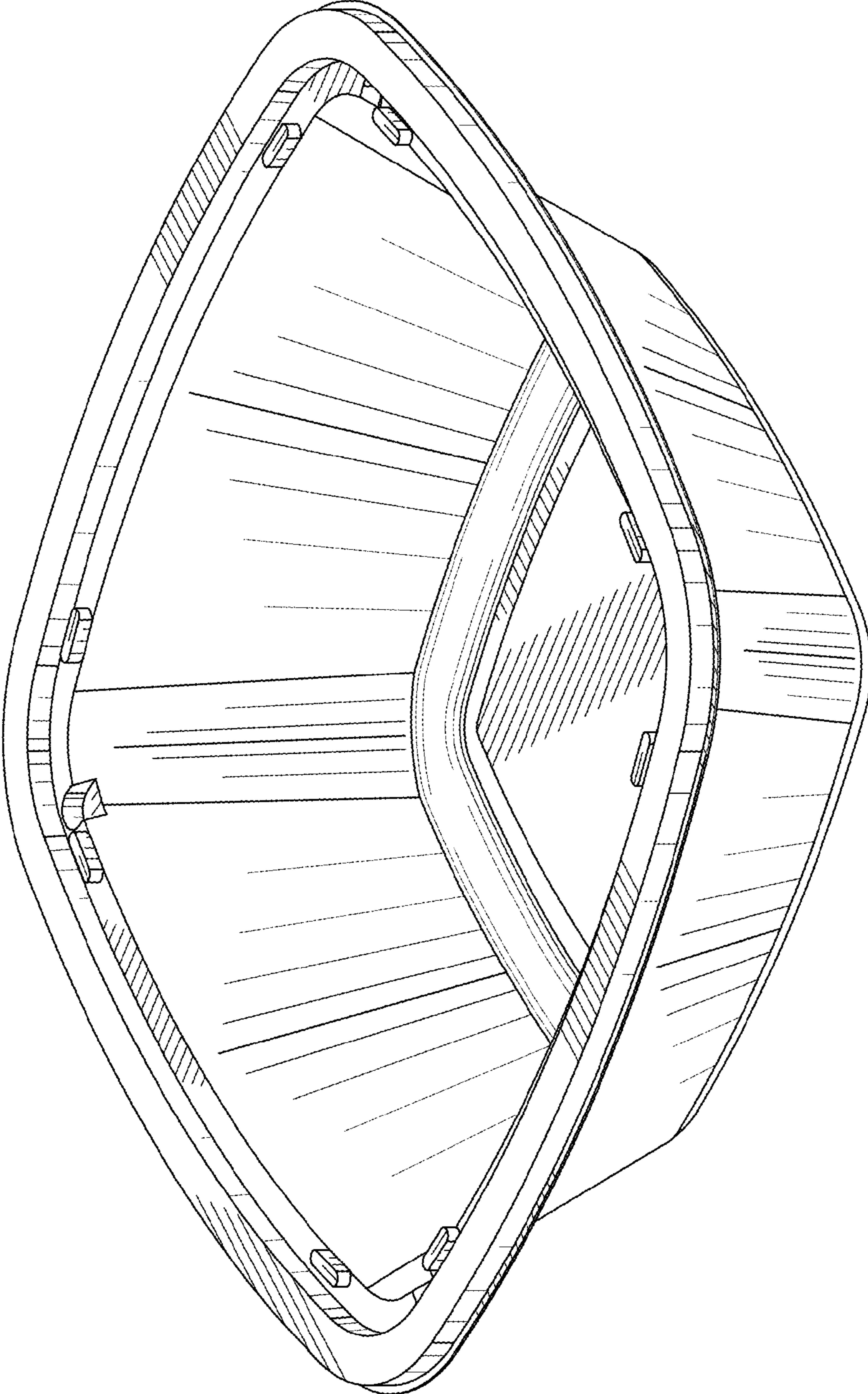


Fig. 1

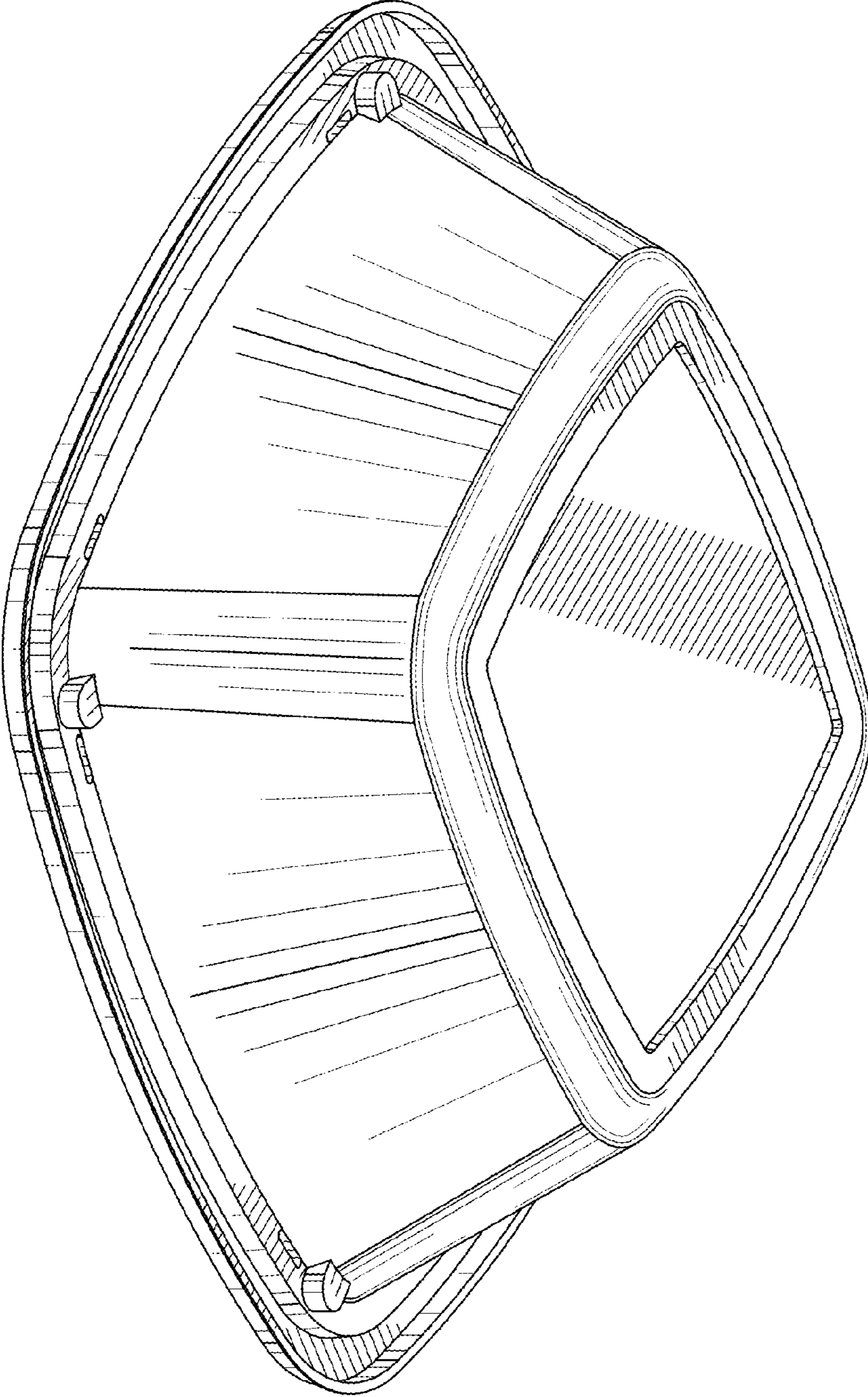


Fig.2

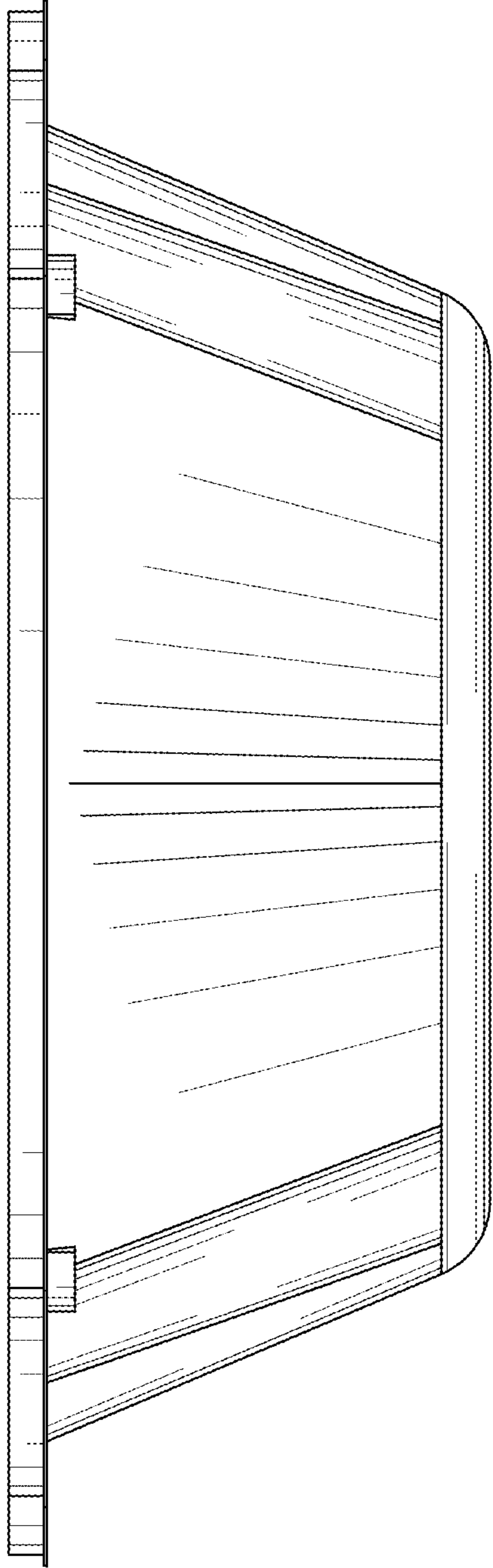


Fig. 3

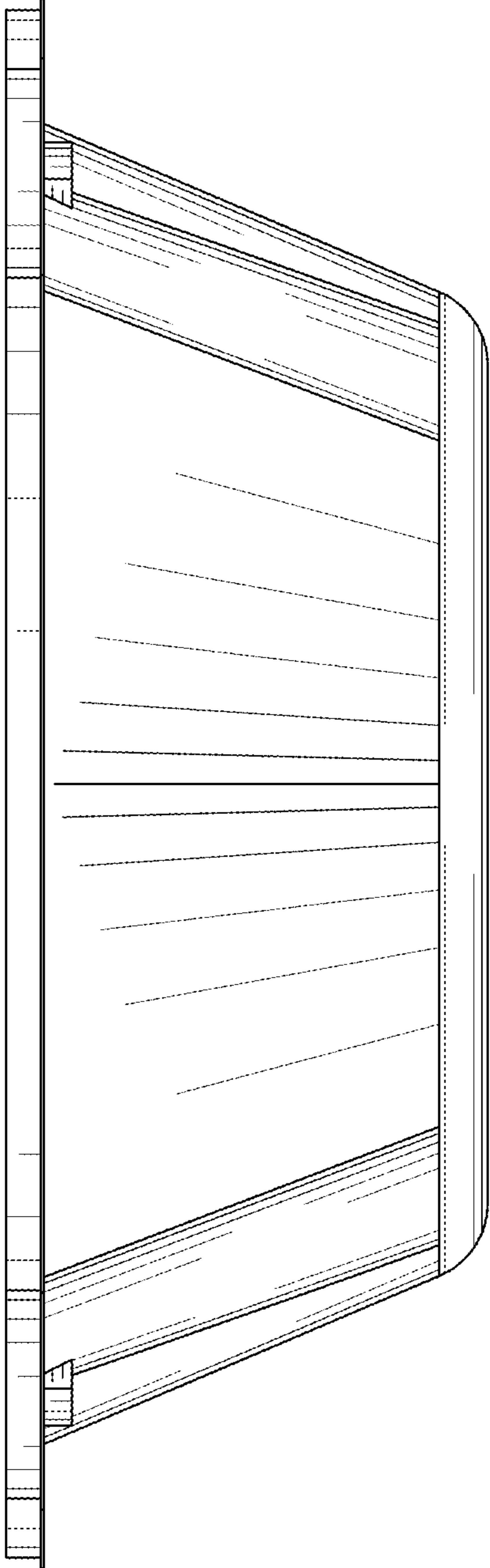


Fig. 4

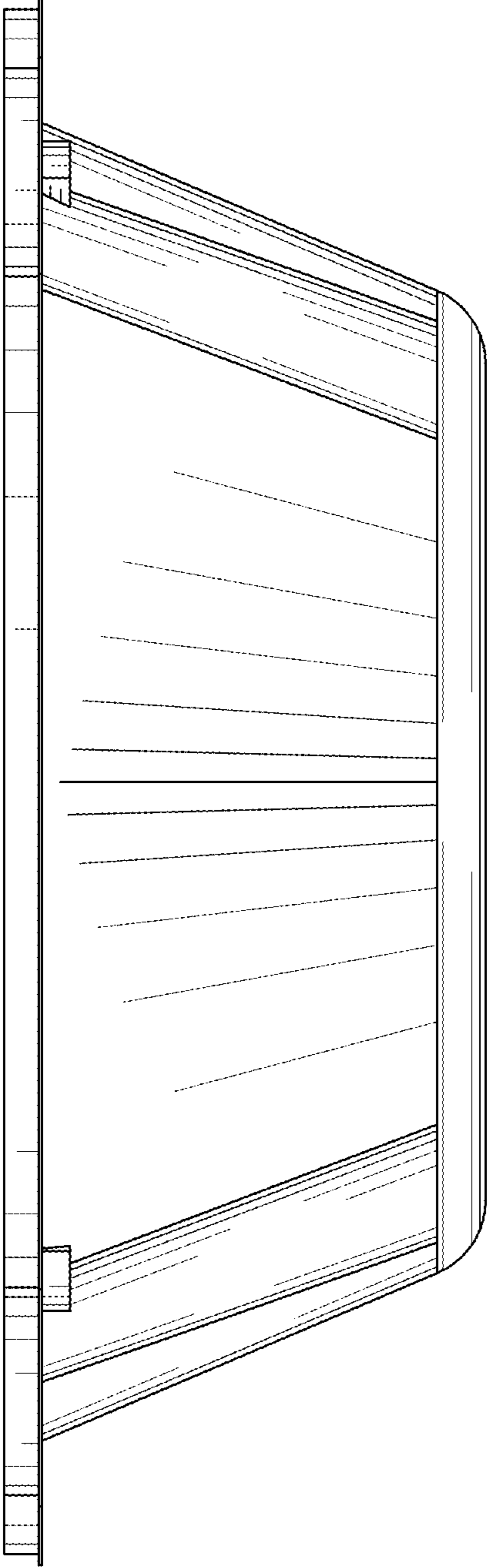


Fig. 5

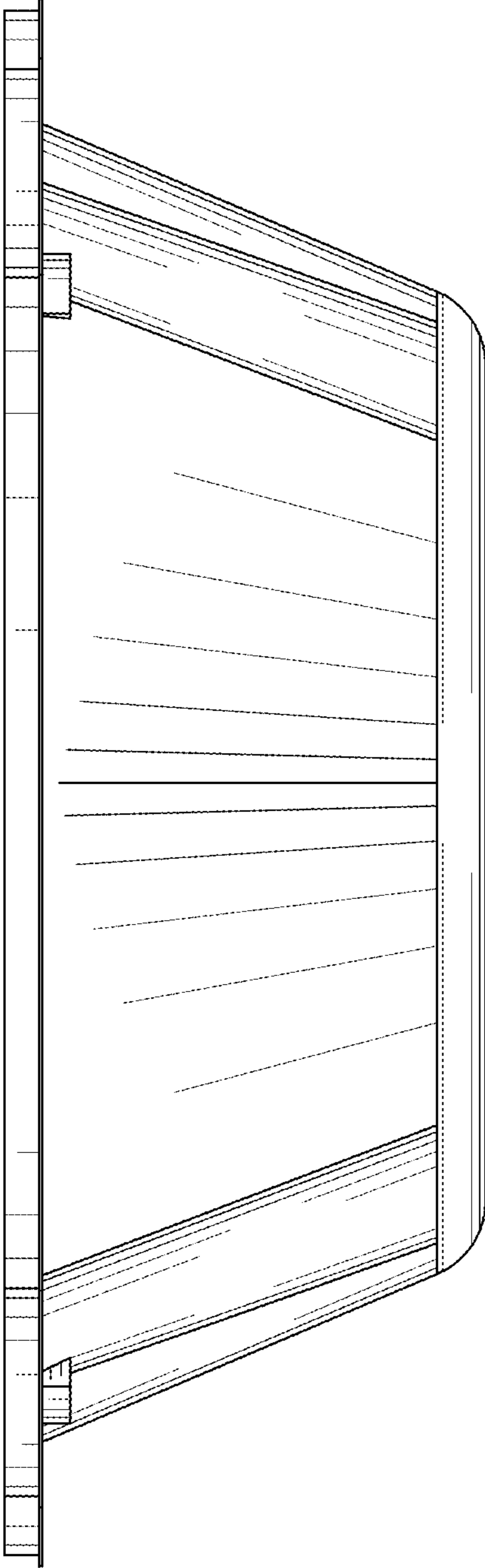


Fig. 6

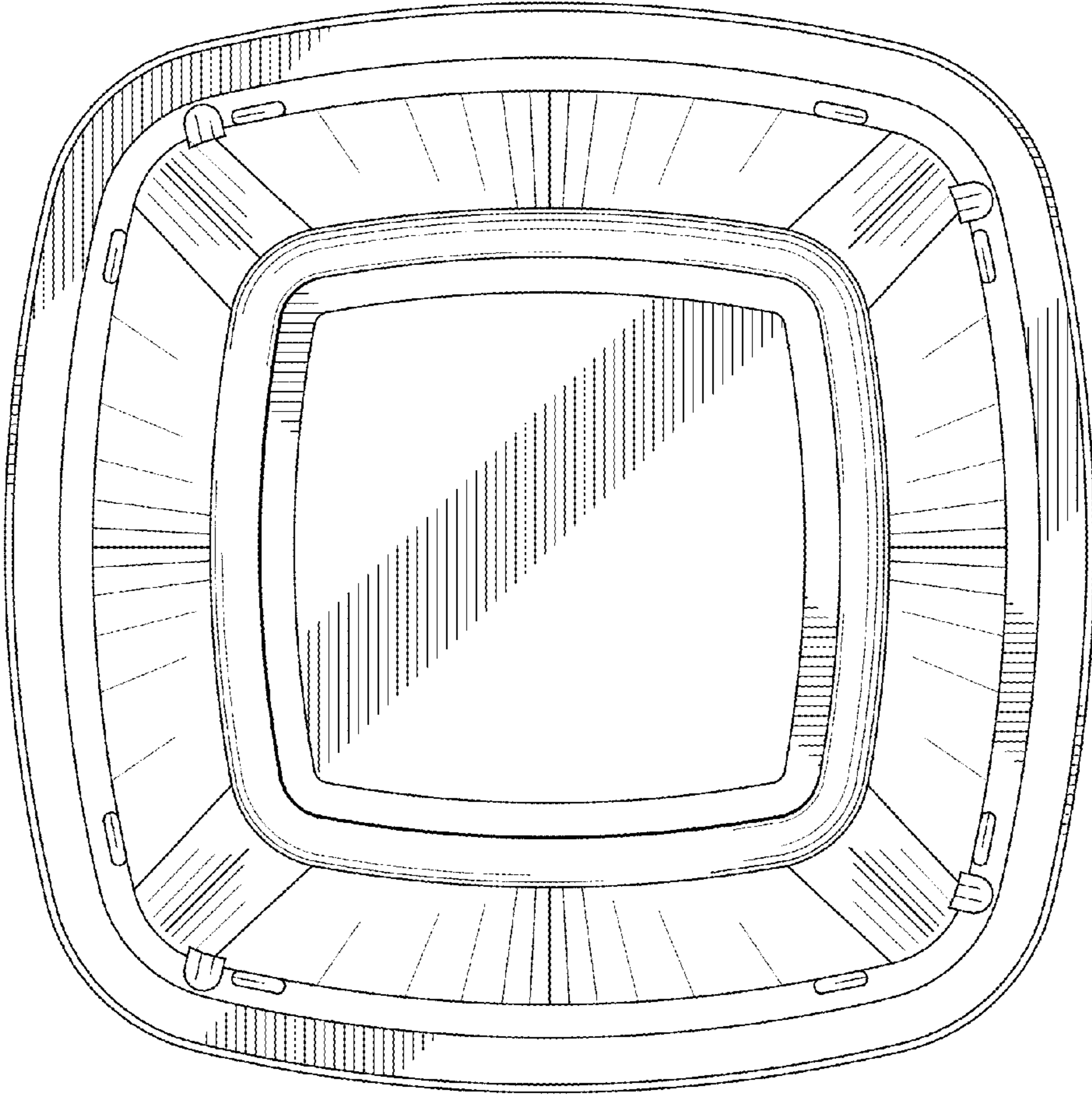


Fig. 7

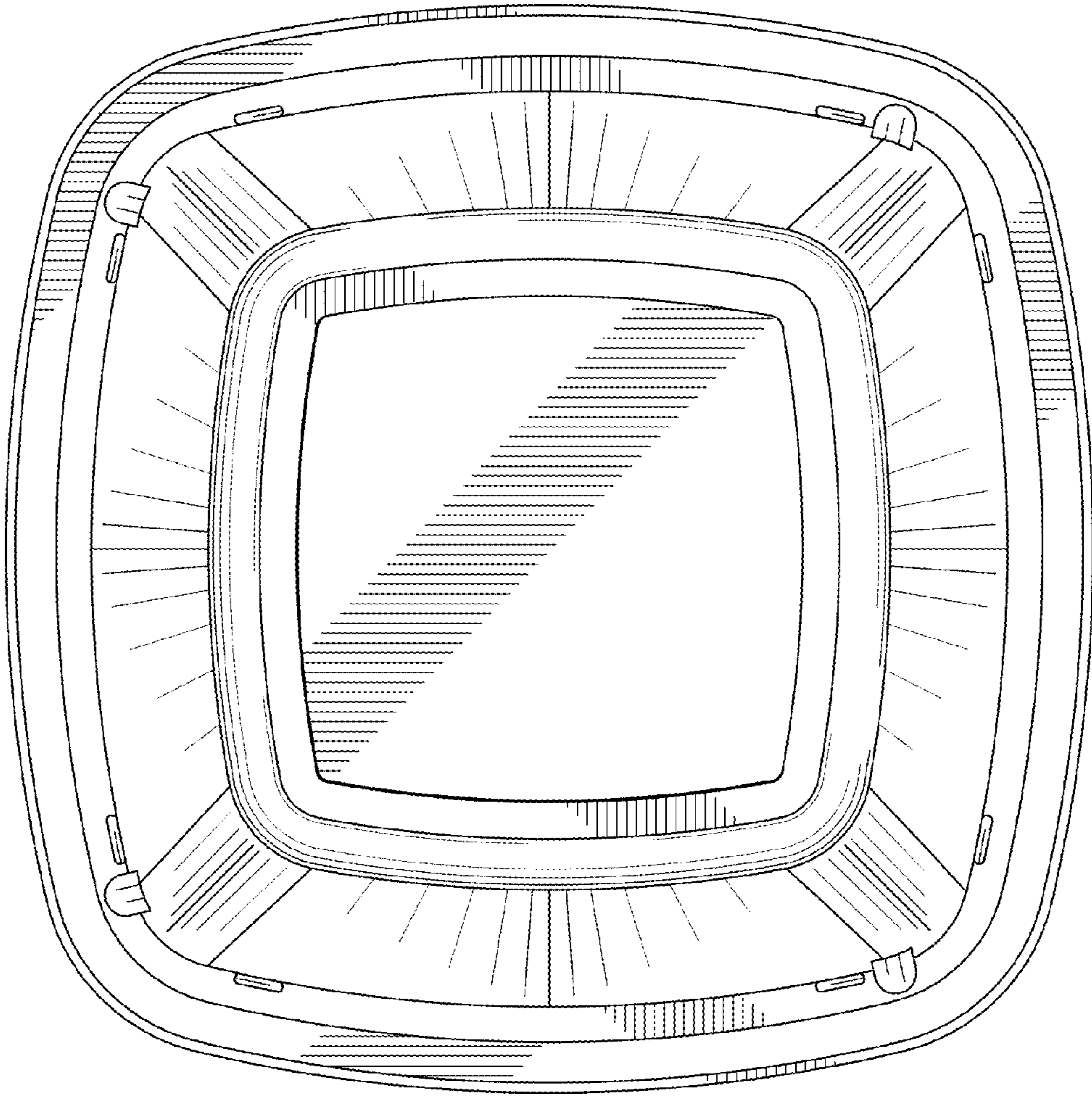


Fig. 8