



US00D688937S

(12) **United States Design Patent**
Brewer

(10) **Patent No.:** **US D688,937 S**

(45) **Date of Patent:** **** Sep. 3, 2013**

(54) **BLIND FASTENER**

(75) Inventor: **Jonathan Lee Brewer**, Dunstable (GB)

(73) Assignee: **Avdel UK Limited**, Welwyn Garden,
Hertfordshire (GB)

(**) Term: **14 Years**

(21) Appl. No.: **29/390,796**

(22) Filed: **Apr. 29, 2011**

(51) **LOC (9) Cl.** **08-08**

(52) **U.S. Cl.**

USPC **D8/382**

(58) **Field of Classification Search**

USPC D8/382, 354, 349; 411/508-511,
411/45; 24/297, 289; D24/155

See application file for complete search history.

(56) **References Cited**

U.S. PATENT DOCUMENTS

4,378,913 A * 4/1983 Fohl 242/599.3
D500,245 S * 12/2004 Okada D8/382
D589,333 S * 3/2009 Nakazato D8/382
D658,481 S * 5/2012 Pratt D8/349

8,226,339 B2 * 7/2012 Neri 411/181
2006/0236739 A1 * 10/2006 Smith et al. 72/67
2011/0008124 A1 * 1/2011 Niklewicz et al. 411/80.6

* cited by examiner

Primary Examiner — Sheryl Lane

(74) *Attorney, Agent, or Firm* — Hahn, Loeser & Parks LLP;
Arland T. Stein

(57) **CLAIM**

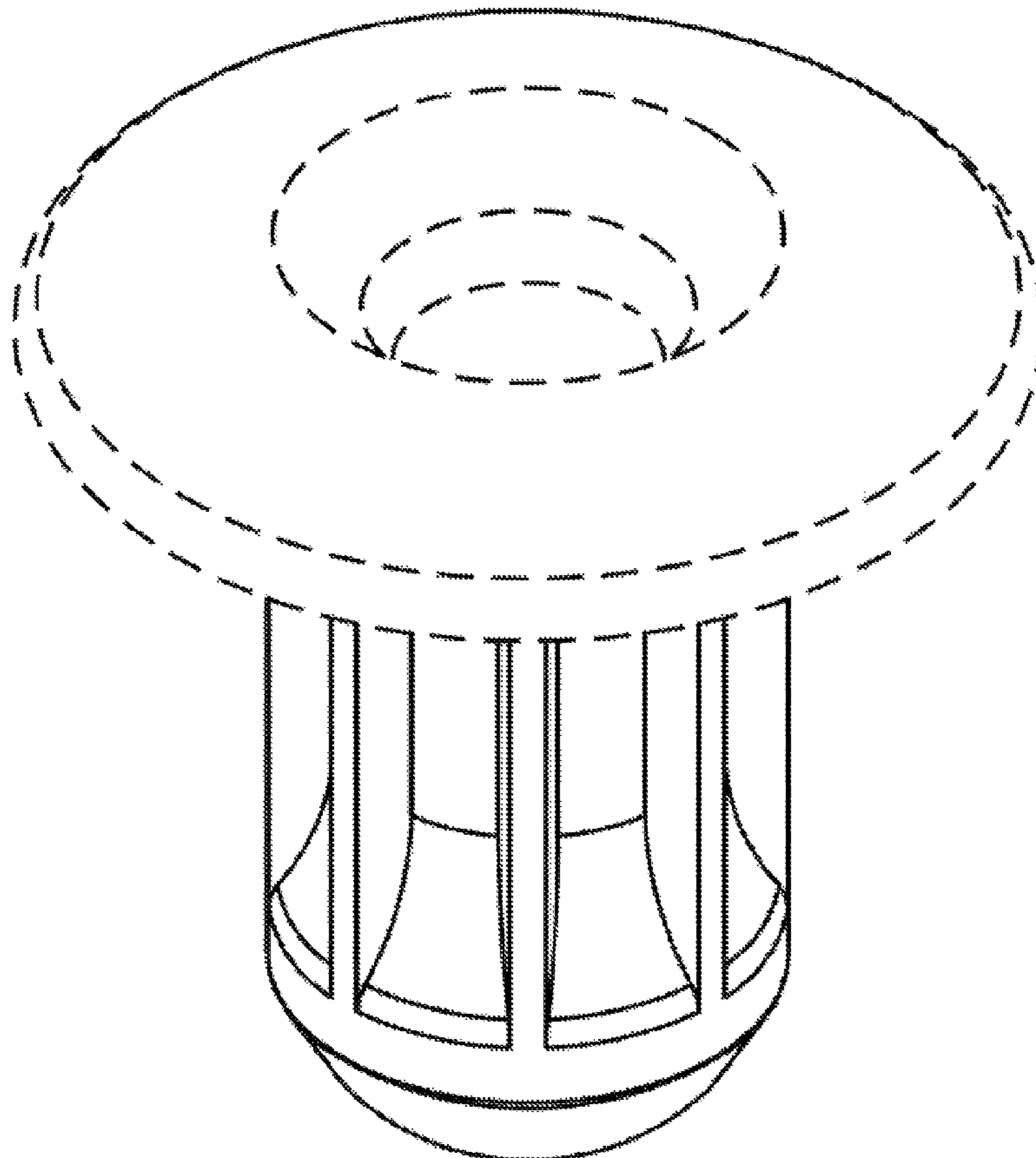
The ornamental design for a blind fastener, as shown and described.

DESCRIPTION

FIG. 1 is an isometric top view thereof;
FIG. 2 is an isometric bottom view thereof;
FIG. 3 is a top view thereof;
FIG. 4 is a bottom view thereof;
FIG. 5 is a side view thereof;
FIG. 6 is a longitudinal cross sectional view thereof; taken along line VI in FIG. 3; and,
FIG. 7 is a radial cross sectional view thereof; taken along line VII in FIG. 5.

The broken lines are included to show portions of the article and form no part of the claimed design.

1 Claim, 7 Drawing Sheets



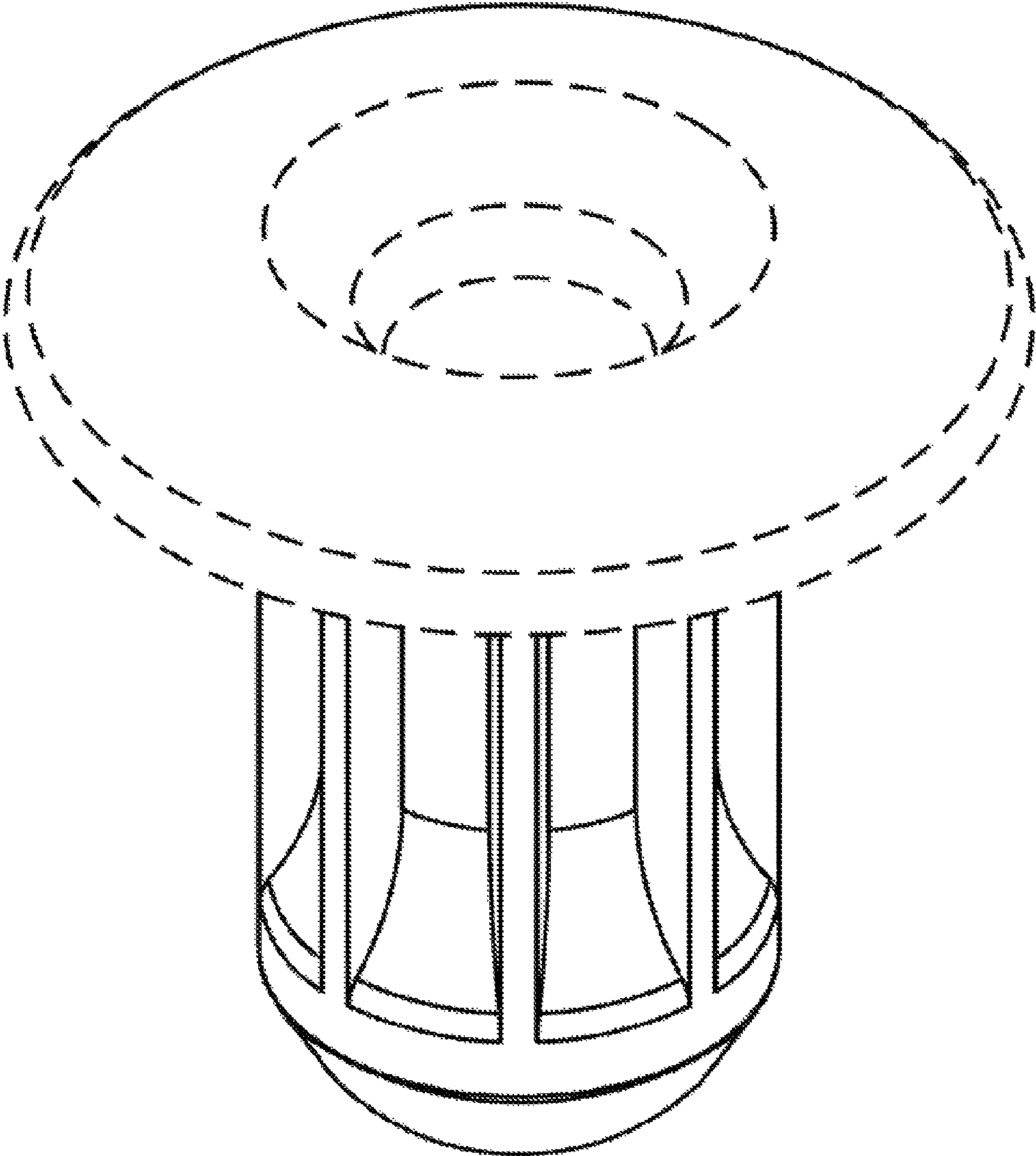


FIG. 1

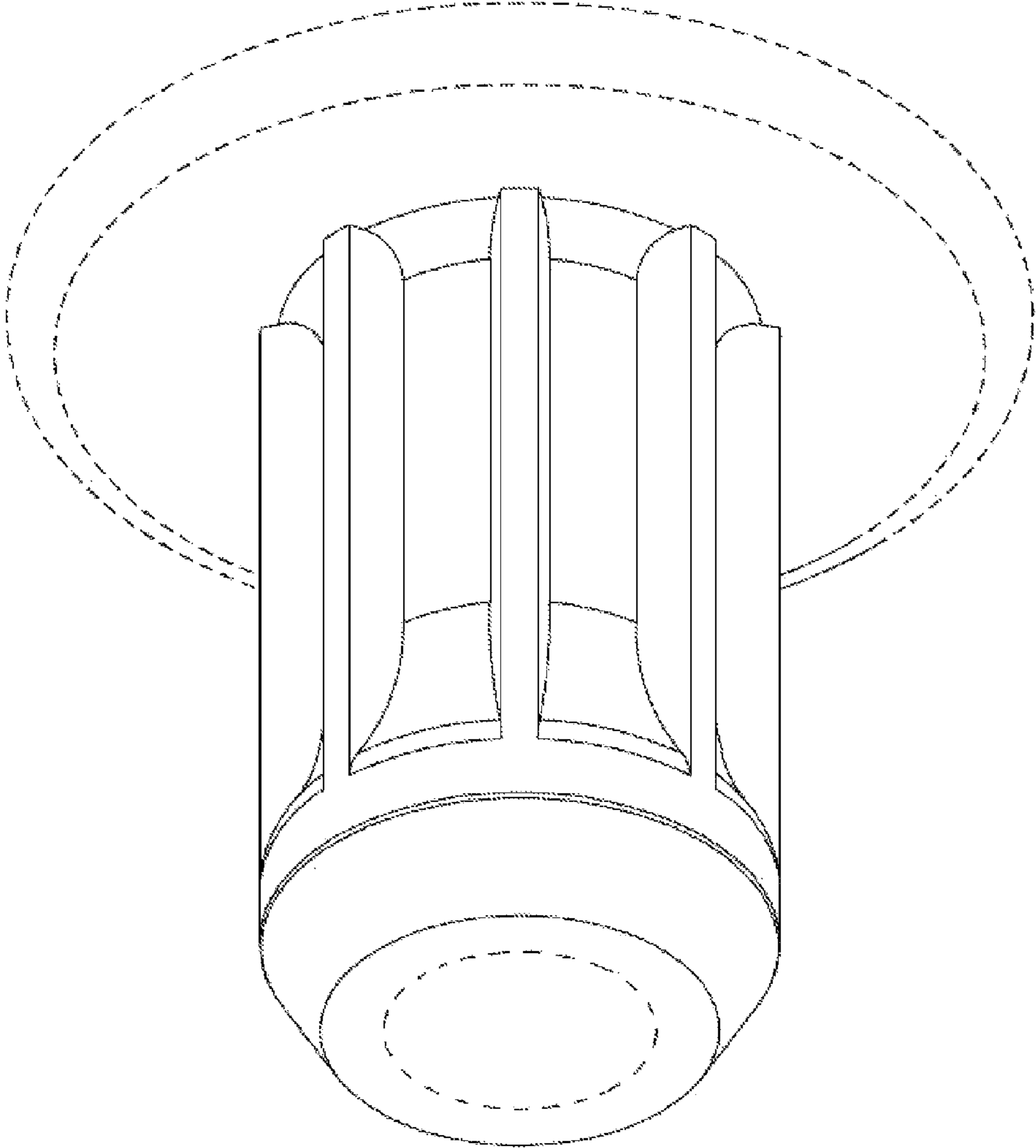


FIG. 2

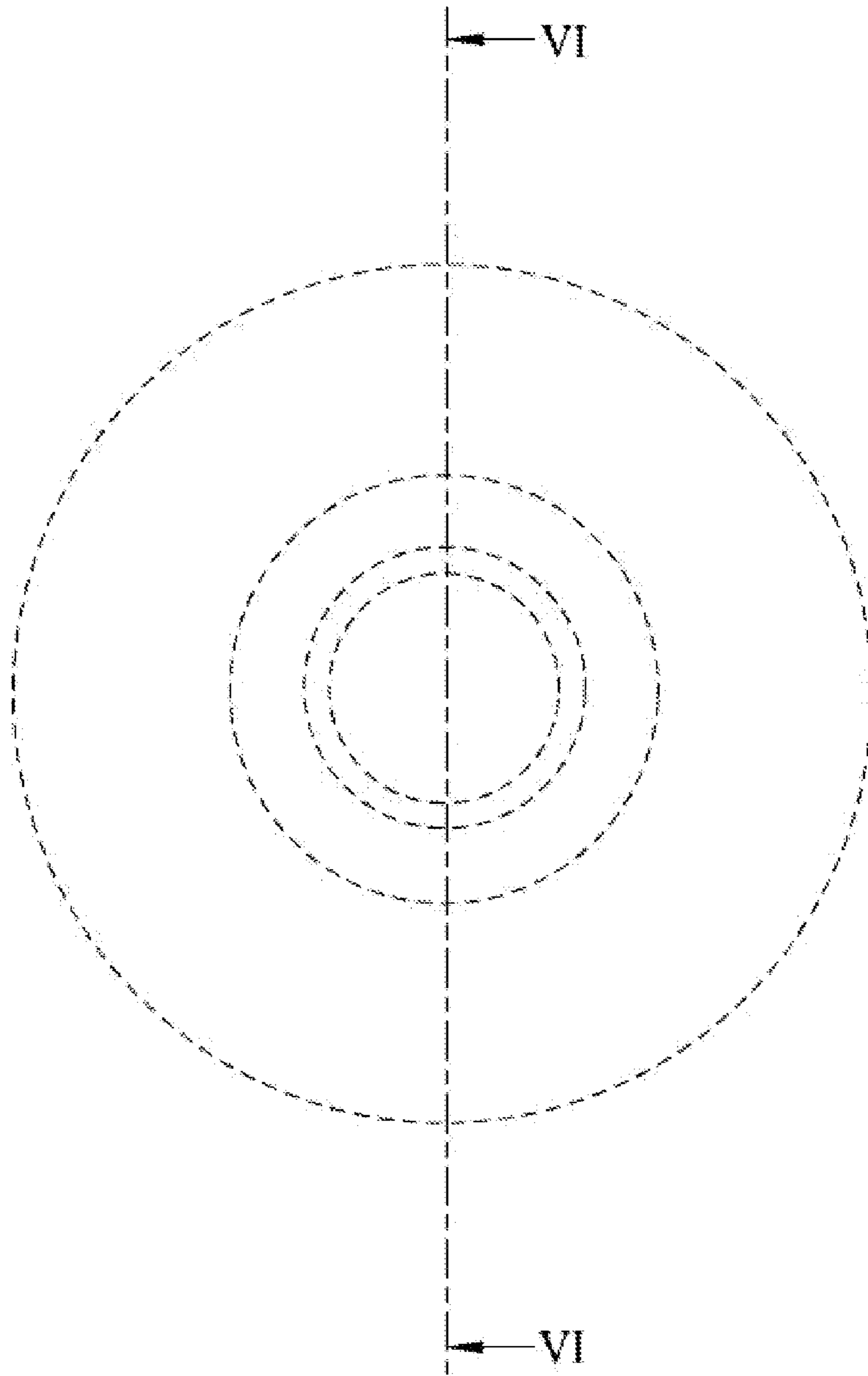


FIG. 3

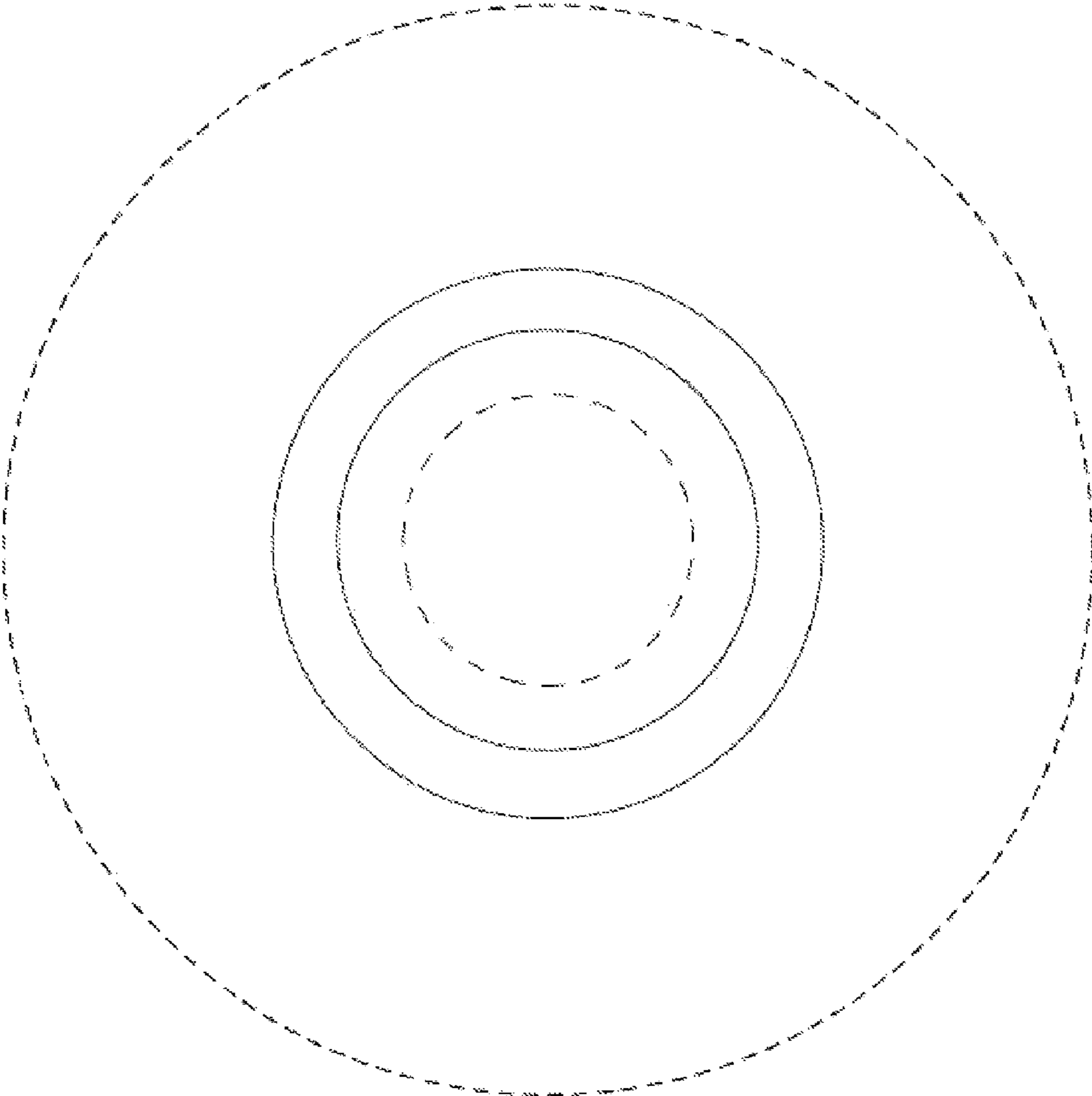


FIG. 4

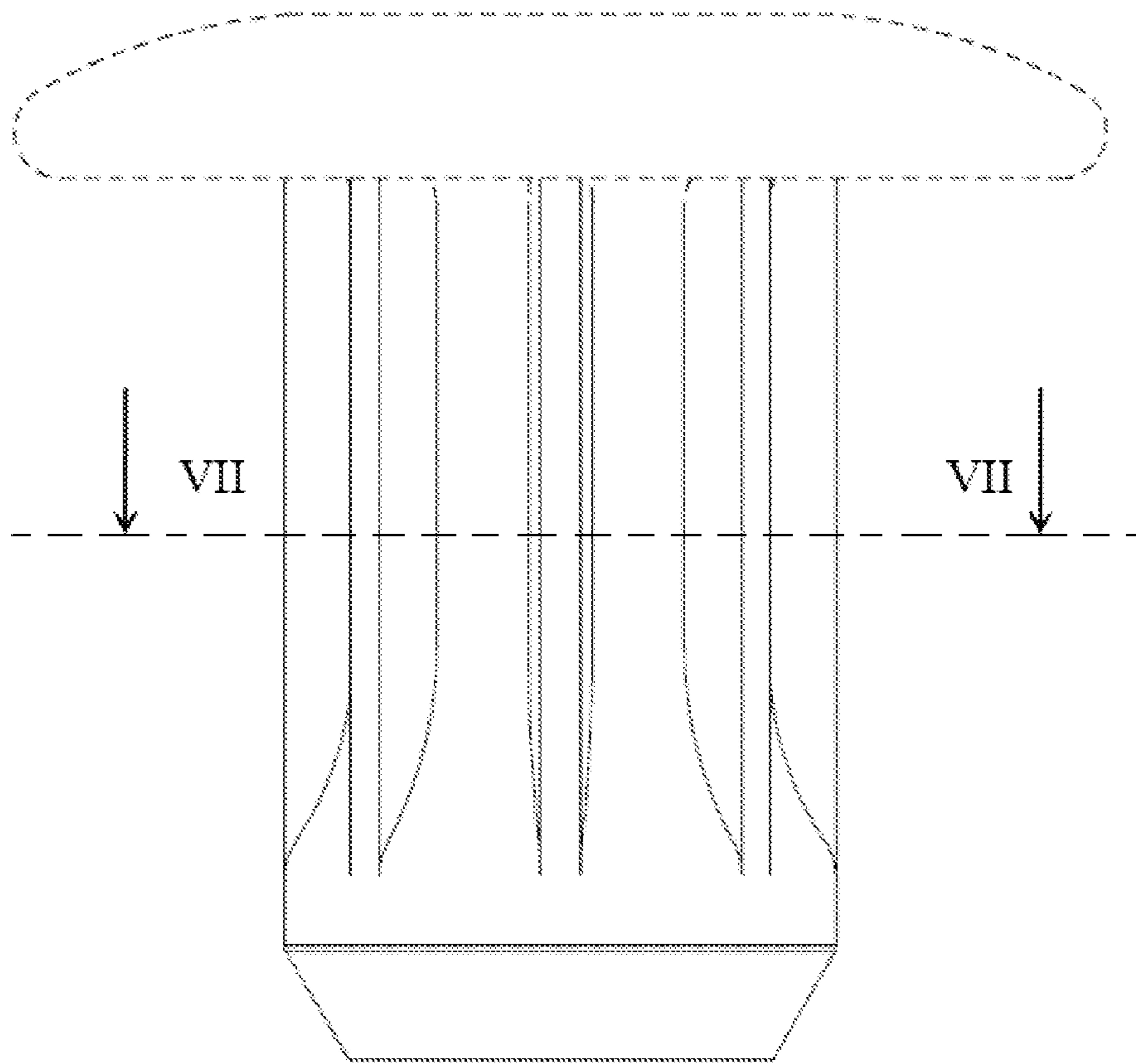


FIG. 5

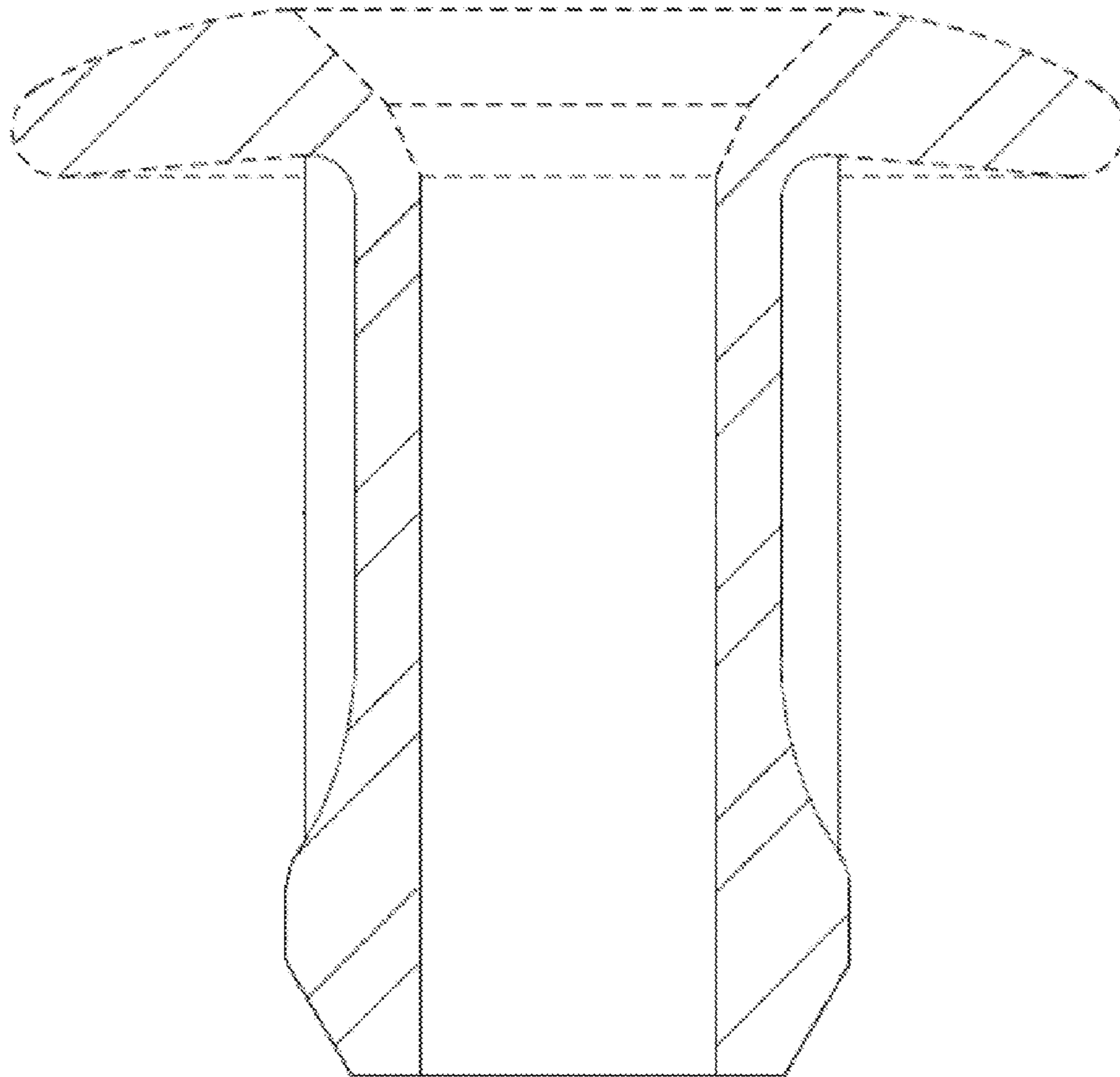


FIG. 6

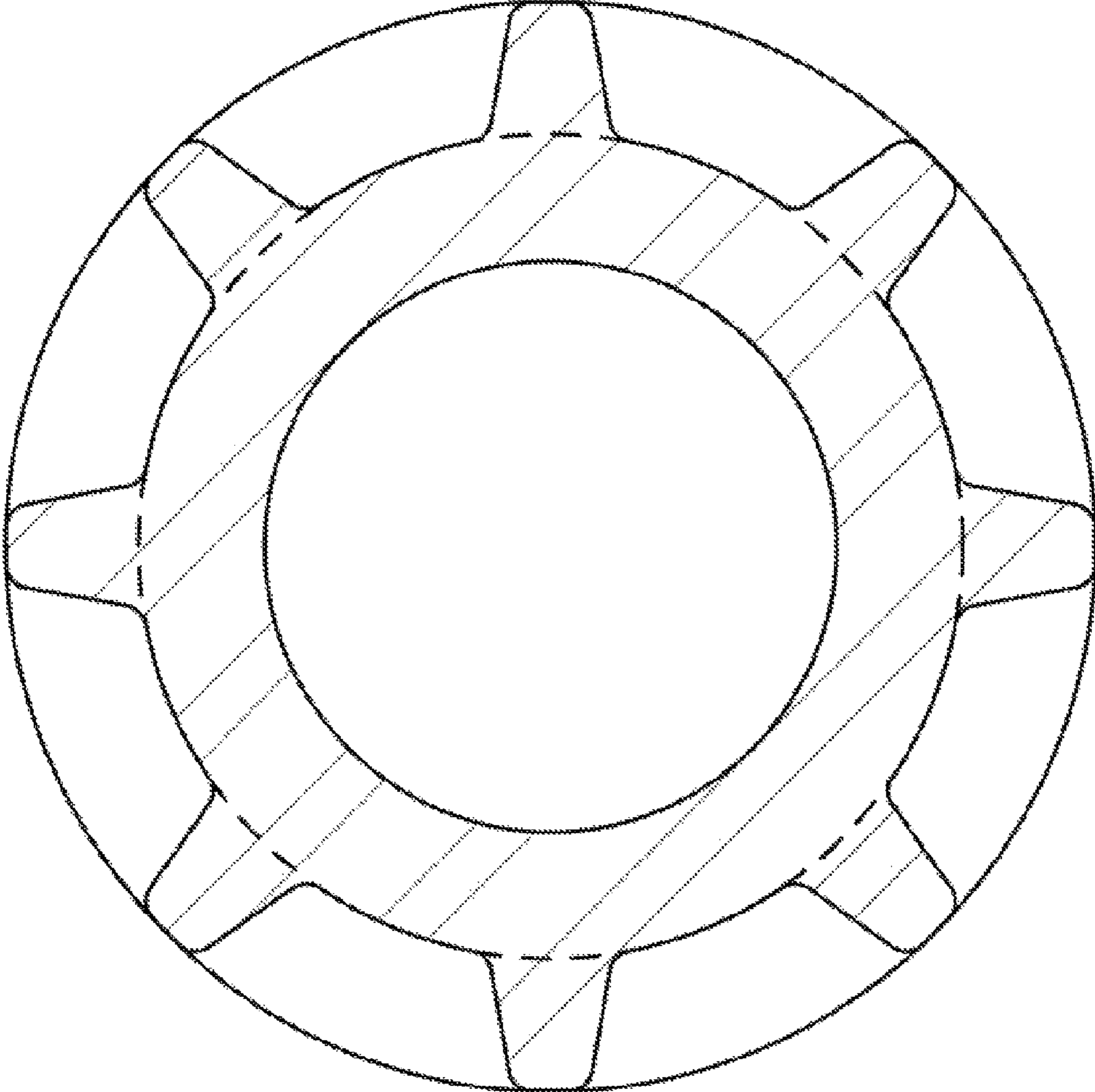


FIG. 7