



US00D688936S

(12) **United States Design Patent**
Chen

(10) **Patent No.:** **US D688,936 S**

(45) **Date of Patent:** **** Sep. 3, 2013**

(54) **HOLDING BRACKET**

(75) Inventor: **Yun-Lung Chen**, New Taipei (TW)

(73) Assignee: **Hon Hai Precision Industry Co., Ltd.**,
New Taipei (TW)

(**) Term: **14 Years**

(21) Appl. No.: **29/396,315**

(22) Filed: **Jun. 28, 2011**

(30) **Foreign Application Priority Data**

May 13, 2011 (CN) 2011 3 0118205

(51) **LOC (9) Cl.** **08-05**

(52) **U.S. Cl.**
USPC **D8/354**

(58) **Field of Classification Search**
USPC D8/39, 354, 349, 367, 373, 71, 363,
D8/380, 382; D25/119, 138, 121, 124, 125,
D25/126; D34/38; 248/323, 126, 300, 121,
248/200, 217.3, 318, 215, 74, 302, 211, 214,
248/307, 111, 690, 213.2; 206/512, 504,
206/585, 821; 411/466, 920; 52/715, 122.1,
52/204.5, 238.1-243.1, 285.2, 394, 395,
52/578, 582.1, 584.1, 589.1; 108/53.1, 53.3,
108/53.5, 55.3, 55.5, 55.1, 56.3; D32/54;
D22/144; D6/524, 525, 526, 527, 528, 540,
D6/545; 220/495.1

See application file for complete search history.

(56) **References Cited**

U.S. PATENT DOCUMENTS

2,052,021 A * 8/1936 Drachman 34/89.1
2,474,899 A * 7/1949 Hutt 191/12.4
2,845,245 A * 7/1958 Gray et al. 248/314
2,894,639 A * 7/1959 Caporicci 108/59
D252,361 S * 7/1979 Pape D6/526
D272,023 S * 1/1984 Mayer et al. D6/569

4,641,898 A * 2/1987 Horowitz et al. 312/209
D341,510 S * 11/1993 Lieberman D6/528
D369,049 S * 4/1996 Scaglione D6/526
D370,375 S * 6/1996 Murgida et al. D6/526
D387,930 S * 12/1997 Israel et al. D6/526
D416,416 S * 11/1999 Kelso et al. D6/525
D421,714 S * 3/2000 Moscovitch et al. D8/373
D499,329 S * 12/2004 Suero, Jr. D8/372
D544,737 S * 6/2007 Nagoya D6/526
D571,190 S * 6/2008 Spadotto D8/356
7,407,142 B1 * 8/2008 Lopez 248/304
D583,653 S * 12/2008 Thompson et al. D8/367
D587,188 S * 2/2009 Mo D12/415
D603,322 S * 11/2009 Nicieja D12/415
D629,673 S * 12/2010 Shaha et al. D8/367
D638,008 S * 5/2011 Richter D14/253

(Continued)

Primary Examiner — Mark Goodwin

(74) *Attorney, Agent, or Firm* — Altis Law Group, Inc.

(57) **CLAIM**

The ornamental design for a holding bracket, as shown and described.

DESCRIPTION

FIG. 1 is a perspective view of the holding bracket showing our new design;

FIG. 2 is a front elevational view thereof;

FIG. 3 is a rear elevational view thereof;

FIG. 4 is a left side elevational view thereof;

FIG. 5 is a right side elevational view thereof;

FIG. 6 is a top plan view thereof; and,

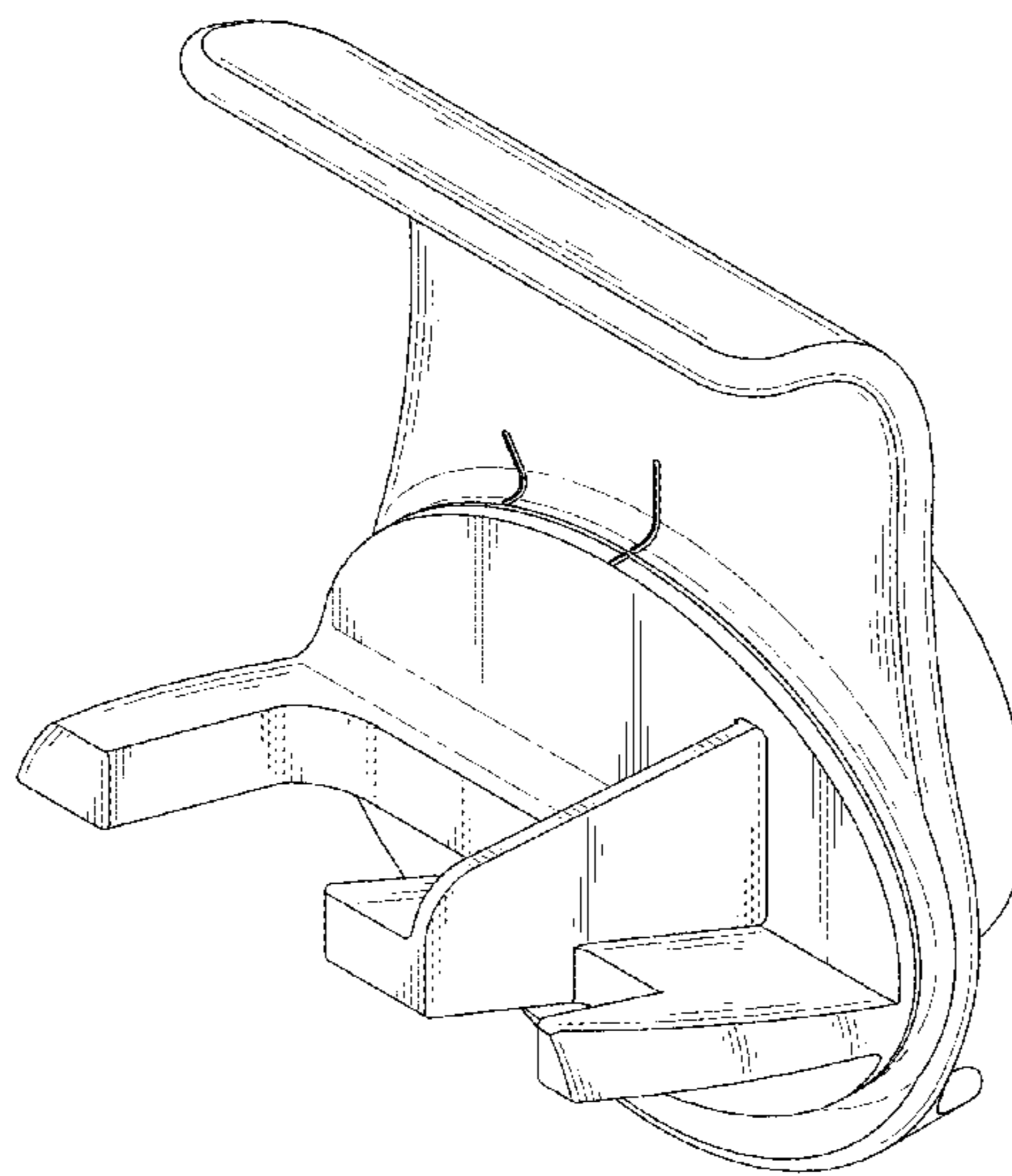
FIG. 7 is a bottom plan view thereof.

The holding bracket has an adhesive device that can attach to a smooth surface. The holding bracket is used to hold articles of daily life, e.g., a shaver.

In FIG. 3 the two crescent shaped features are two crescent shaped concavities.

The four circular features shown in broken lines in FIG. 3 form no part of the claimed design.

1 Claim, 7 Drawing Sheets



US D688,936 S

Page 2

(56)

References Cited

U.S. PATENT DOCUMENTS

7,972,100 B2 * 7/2011 Horvath et al. 411/400

D645,462 S * 9/2011 Choi D14/253
D664,422 S * 7/2012 Wu D8/367
D666,082 S * 8/2012 Wu D8/367

* cited by examiner

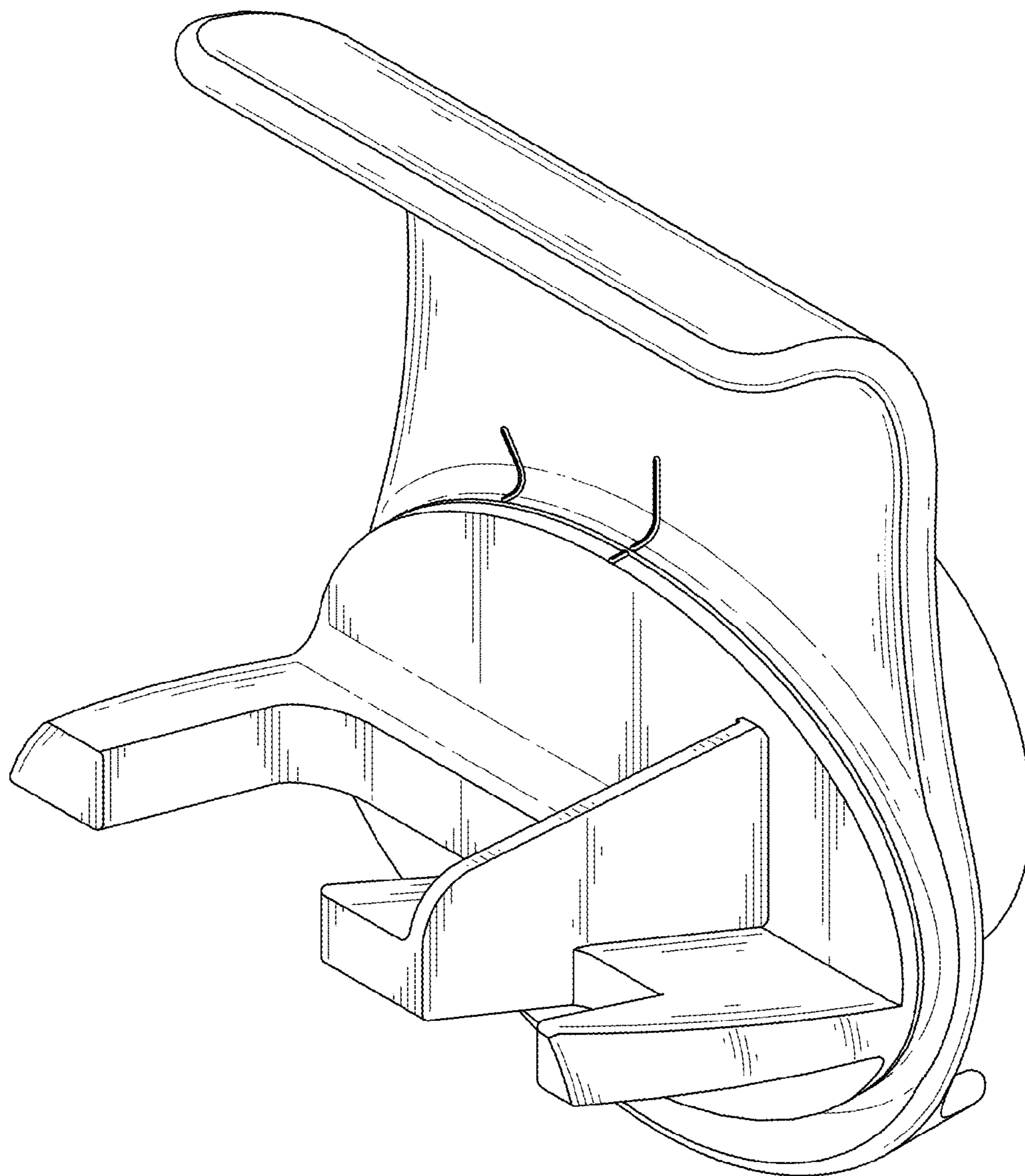


FIG. 1

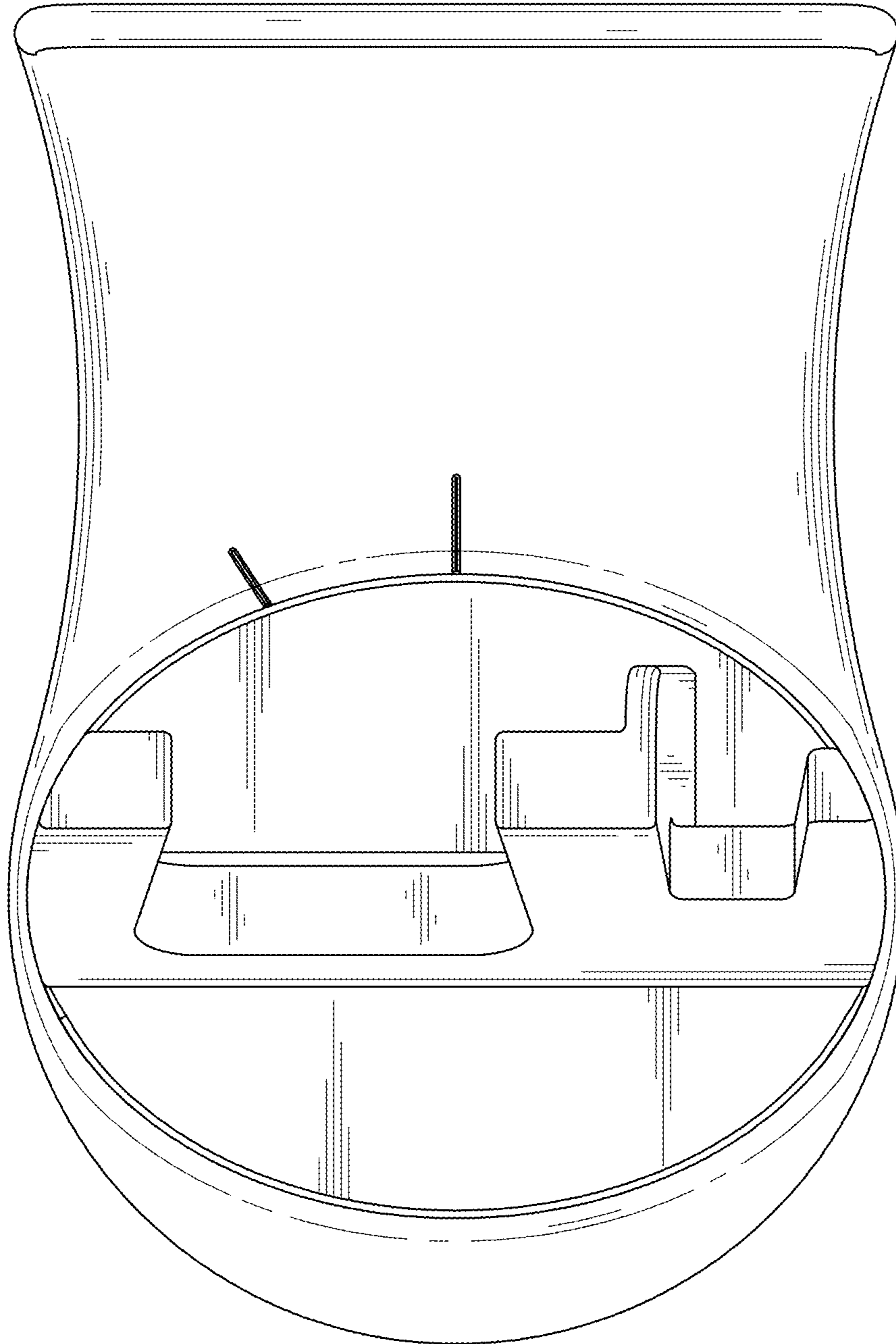


FIG. 2

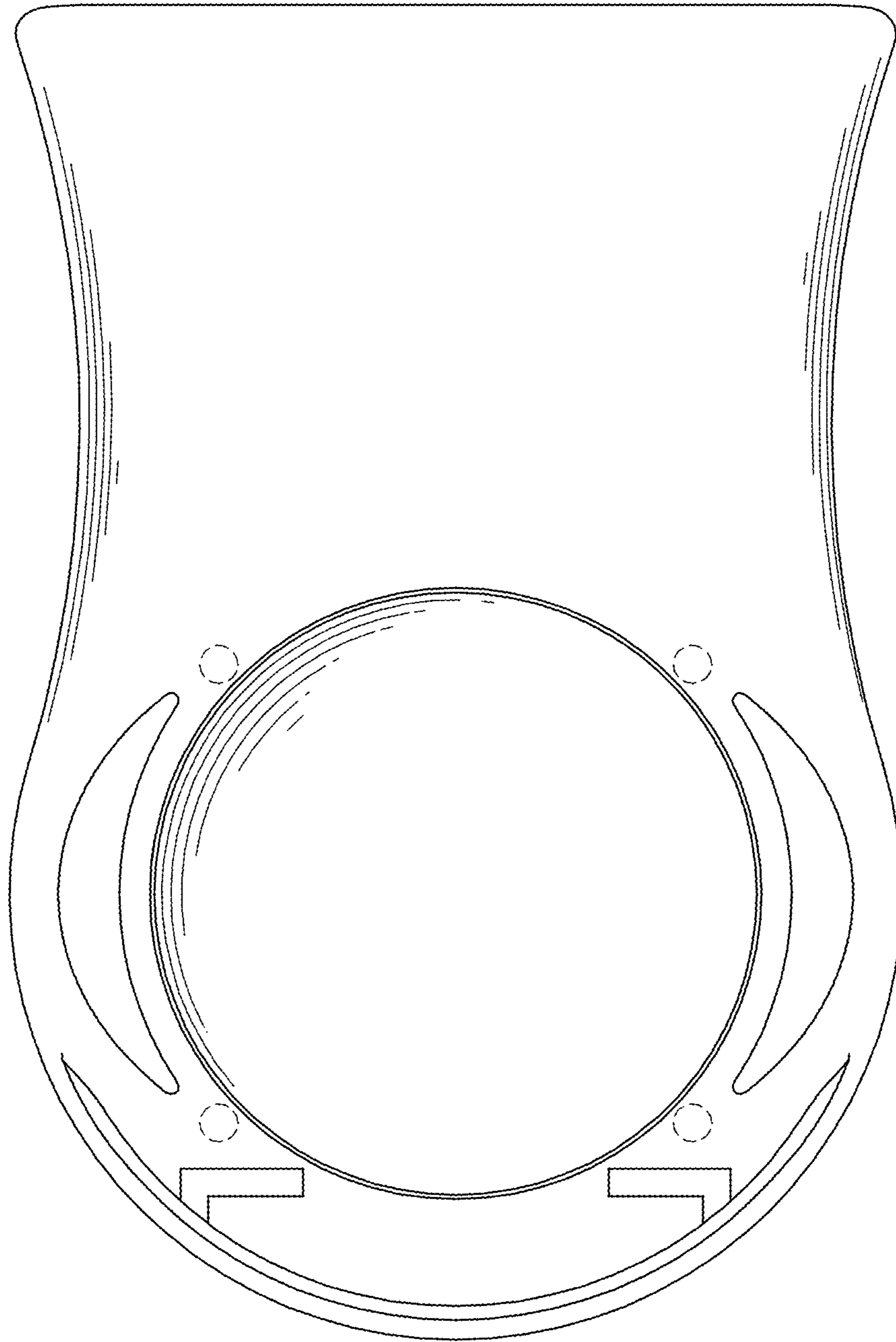


FIG. 3

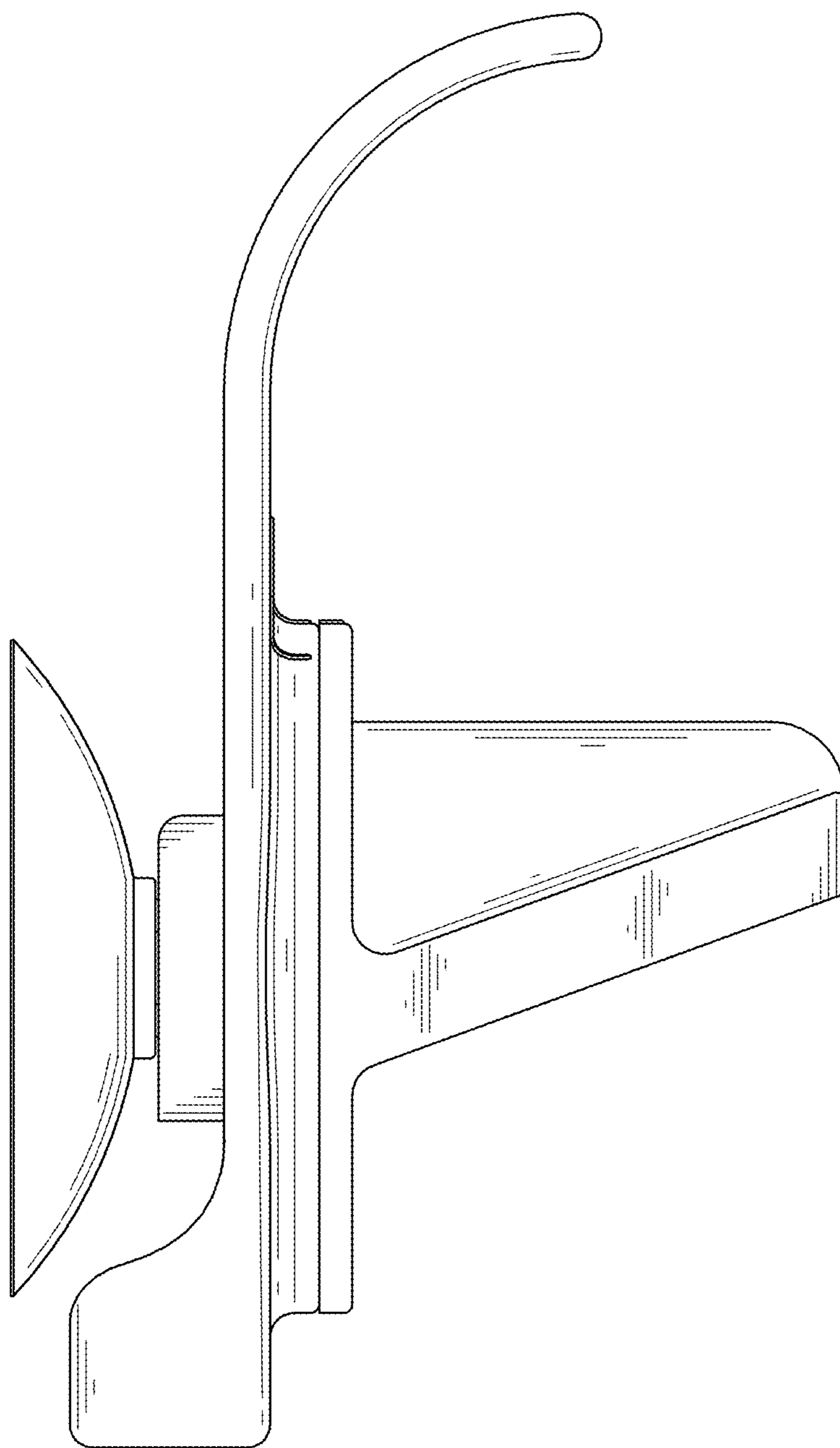


FIG. 4

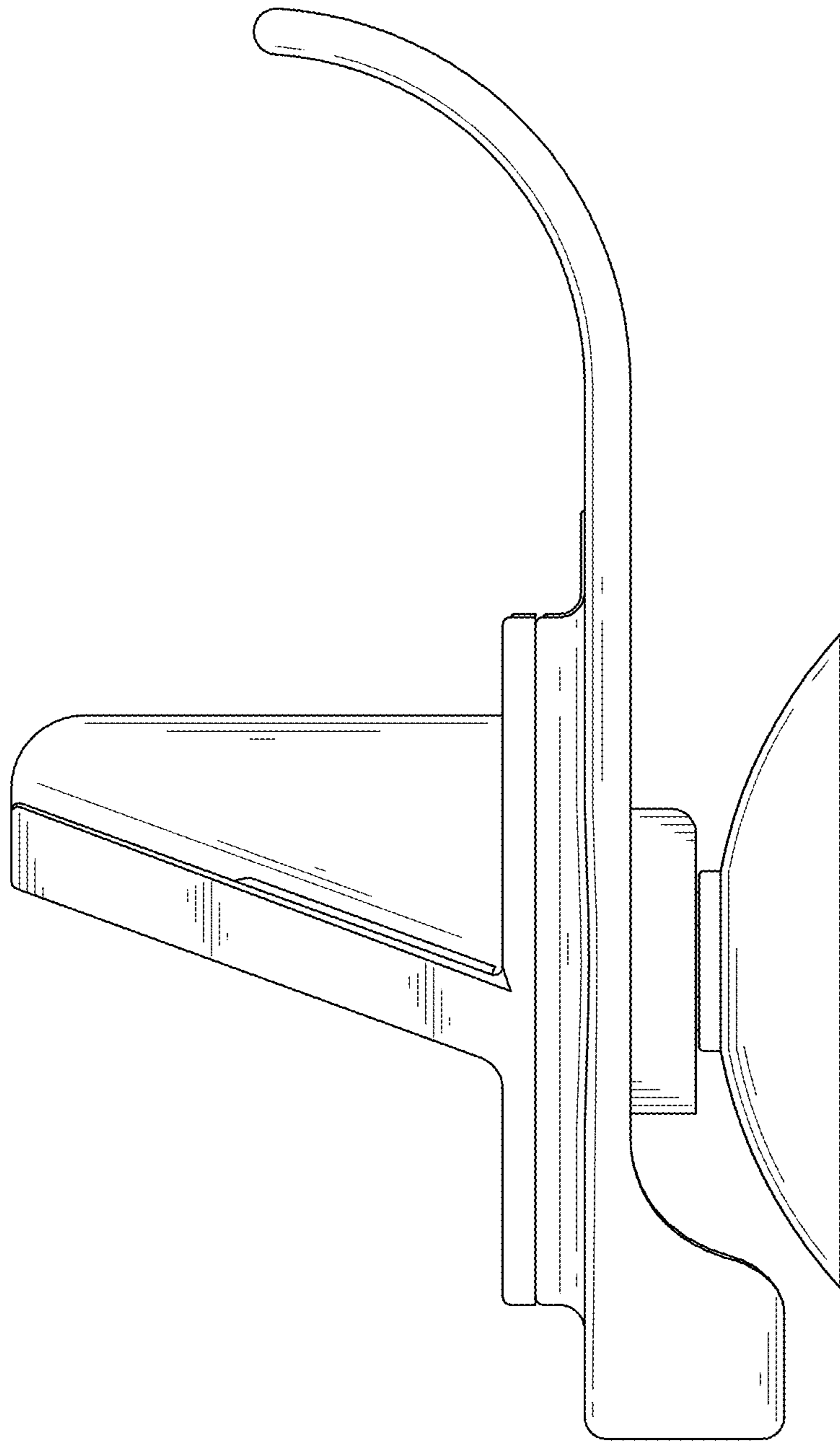


FIG. 5

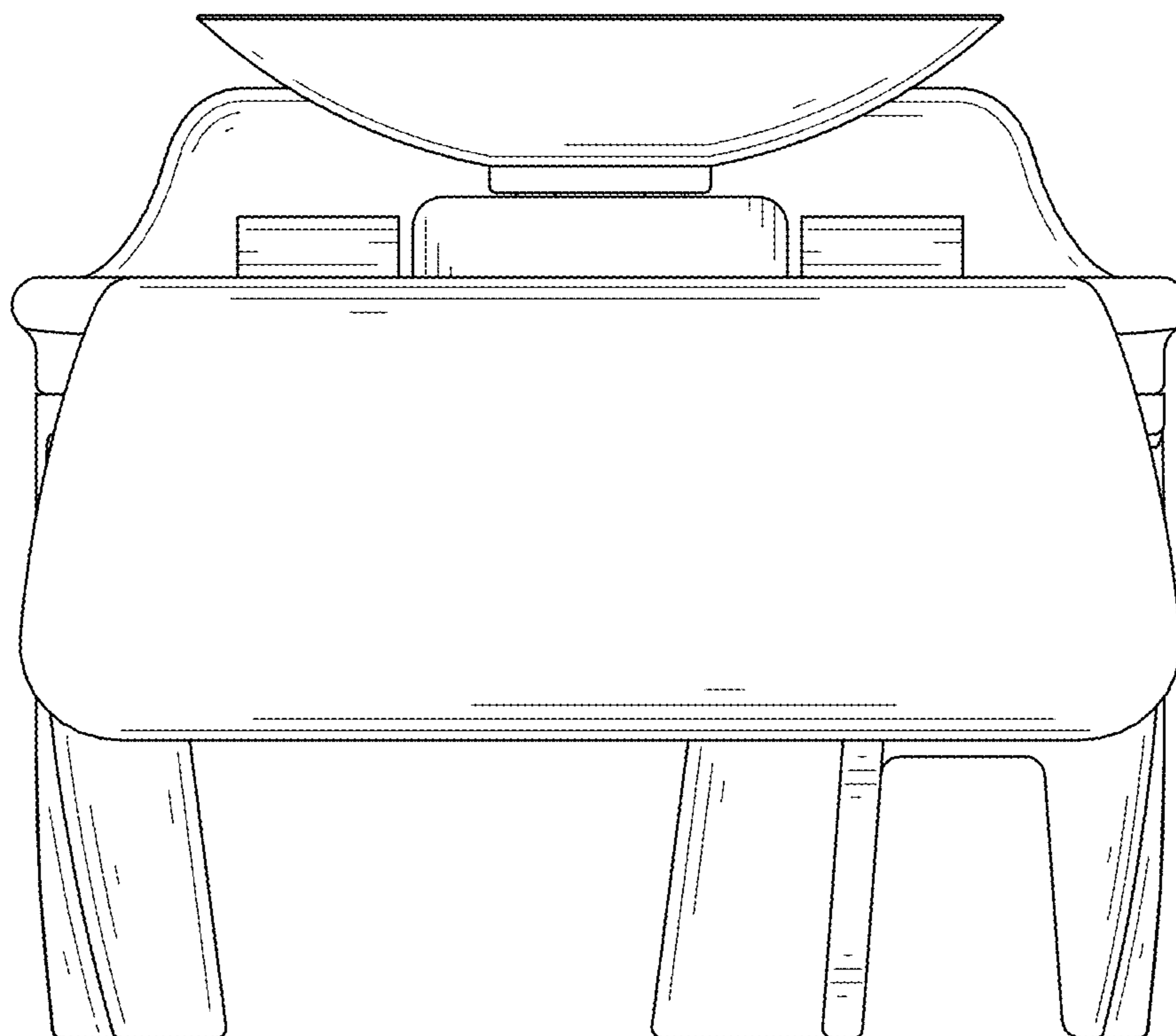


FIG. 6

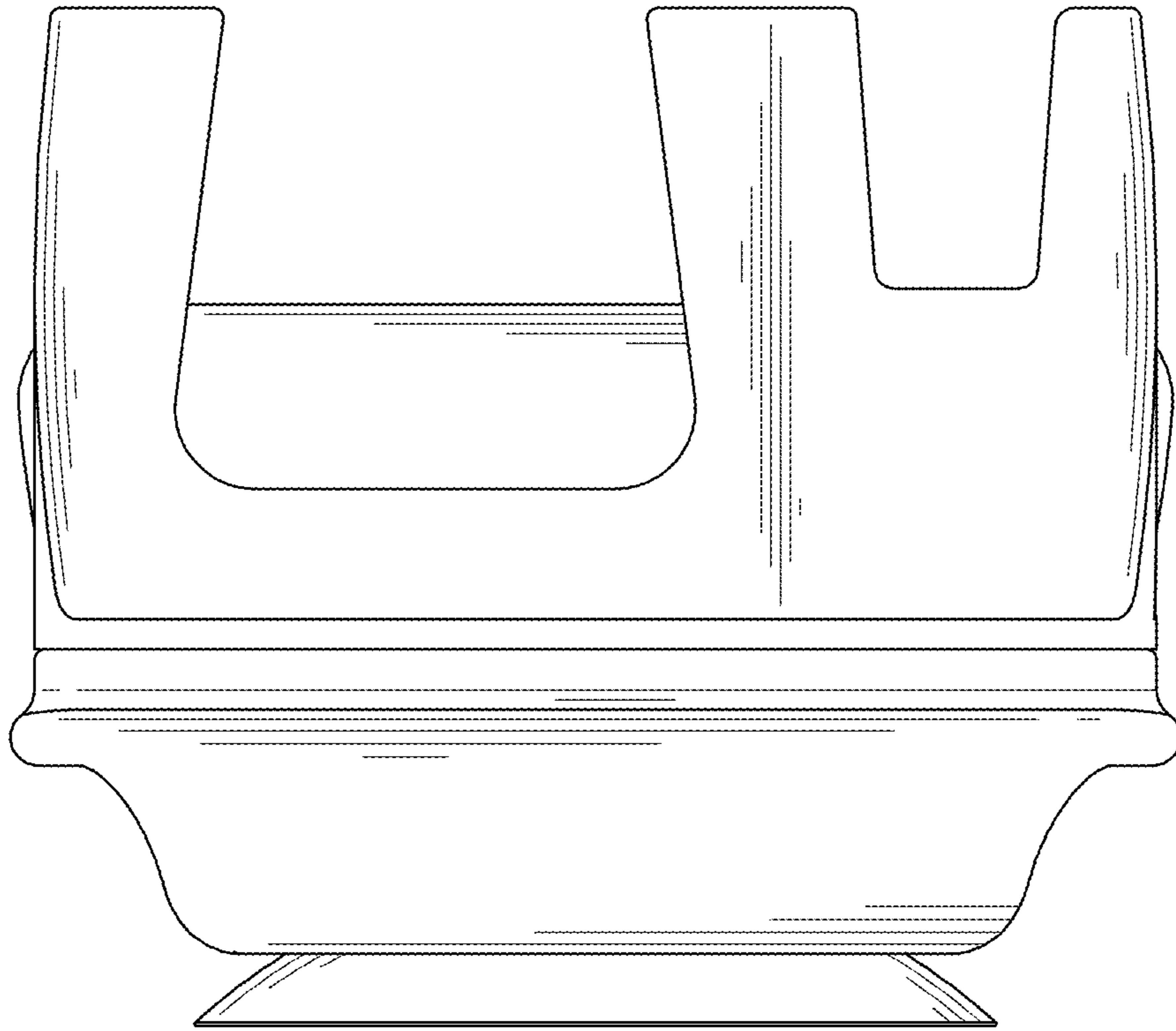


FIG. 7