



US00D688934S

(12) **United States Design Patent**  
**Blanthorne**

(10) **Patent No.:** **US D688,934 S**

(45) **Date of Patent:** **\*\* Sep. 3, 2013**

(54) **TOILET SEAT TOE LIFT**

(76) Inventor: **Ross Blanthorne**, Langley (CA)

(\*\*) Term: **14 Years**

(21) Appl. No.: **29/412,027**

(22) Filed: **Jan. 30, 2012**

(51) **LOC (9) Cl.** ..... **08-06**

(52) **U.S. Cl.**  
USPC ..... **D8/307**

(58) **Field of Classification Search**

USPC ..... D8/307, 300, 326, DIG. 1; D23/311;  
4/246.1; 16/110.1, 426, 429, 430; D7/354,  
D7/358, 543, 550.1, 553.6, 366, 367, 403,  
D7/552.1, 355, 334, 336; D6/485, 574, 553,  
D6/512, 716.2; 220/4.21, 675; 280/288.4;  
126/25 R, 9 B, 41 R

See application file for complete search history.

(56) **References Cited**

**U.S. PATENT DOCUMENTS**

859,454	A *	7/1907	Larsson	108/134
1,324,503	A *	12/1919	Hirsch	297/161
2,146,137	A *	2/1939	Goldenson	297/161
D161,108	S *	12/1950	Kandarian	D23/311
2,758,315	A *	8/1956	Hylton	4/246.1
2,784,664	A *	3/1957	Tippel	99/433
D197,701	S *	3/1964	Riegelman	D8/300
3,566,421	A *	3/1971	Waddle	4/237
3,717,884	A *	2/1973	Mantooth	4/237
D237,797	S *	11/1975	Hermann	D8/307
4,351,447	A *	9/1982	Graff	220/793
D295,603	S *	5/1988	Giallourakis	D8/307
4,920,586	A *	5/1990	Giallourakis	4/246.1
D308,813	S *	6/1990	Robinson	D8/307
5,044,384	A *	9/1991	Hokama et al.	132/200
D324,161	S	2/1992	MacRitchie	
D325,510	S	4/1992	Slye	

D332,718	S *	1/1993	Wolfe, III	D6/570
D340,399	S *	10/1993	Paglia	D8/317
5,341,519	A	8/1994	Cusenza	
D352,198	S *	11/1994	Wright et al.	D6/574
D352,773	S *	11/1994	Haleschuk	D23/311
D374,919	S *	10/1996	Samuelson	D8/307
5,727,258	A	3/1998	Derouin	
D398,041	S *	9/1998	Kitt	D23/311
D403,546	S *	1/1999	Moon	D6/574
D406,884	S *	3/1999	Goss	D23/311
D432,636	S	10/2000	Huot	
D436,269	S *	1/2001	Kane	D6/485
6,185,759	B1 *	2/2001	Staudenmayer	4/663
6,212,694	B1 *	4/2001	Porzio	4/246.1
D473,426	S *	4/2003	Jalet et al.	D7/545
D489,579	S *	5/2004	Wright	D7/629
D507,168	S *	7/2005	Richard, Jr.	D8/307
D522,809	S *	6/2006	Kusuma et al.	D7/602
7,111,903	B1 *	9/2006	Snelson	297/256.16
D614,435	S *	4/2010	Lin	D7/334
D619,230	S *	7/2010	Cardenas	D23/311
D622,127	S *	8/2010	Ferraro	D8/307

\* cited by examiner

*Primary Examiner* — Paula Greene

(74) *Attorney, Agent, or Firm* — Daniel Boudwin

(57) **CLAIM**

The ornamental design for a toilet seat toe lift, as shown and described.

**DESCRIPTION**

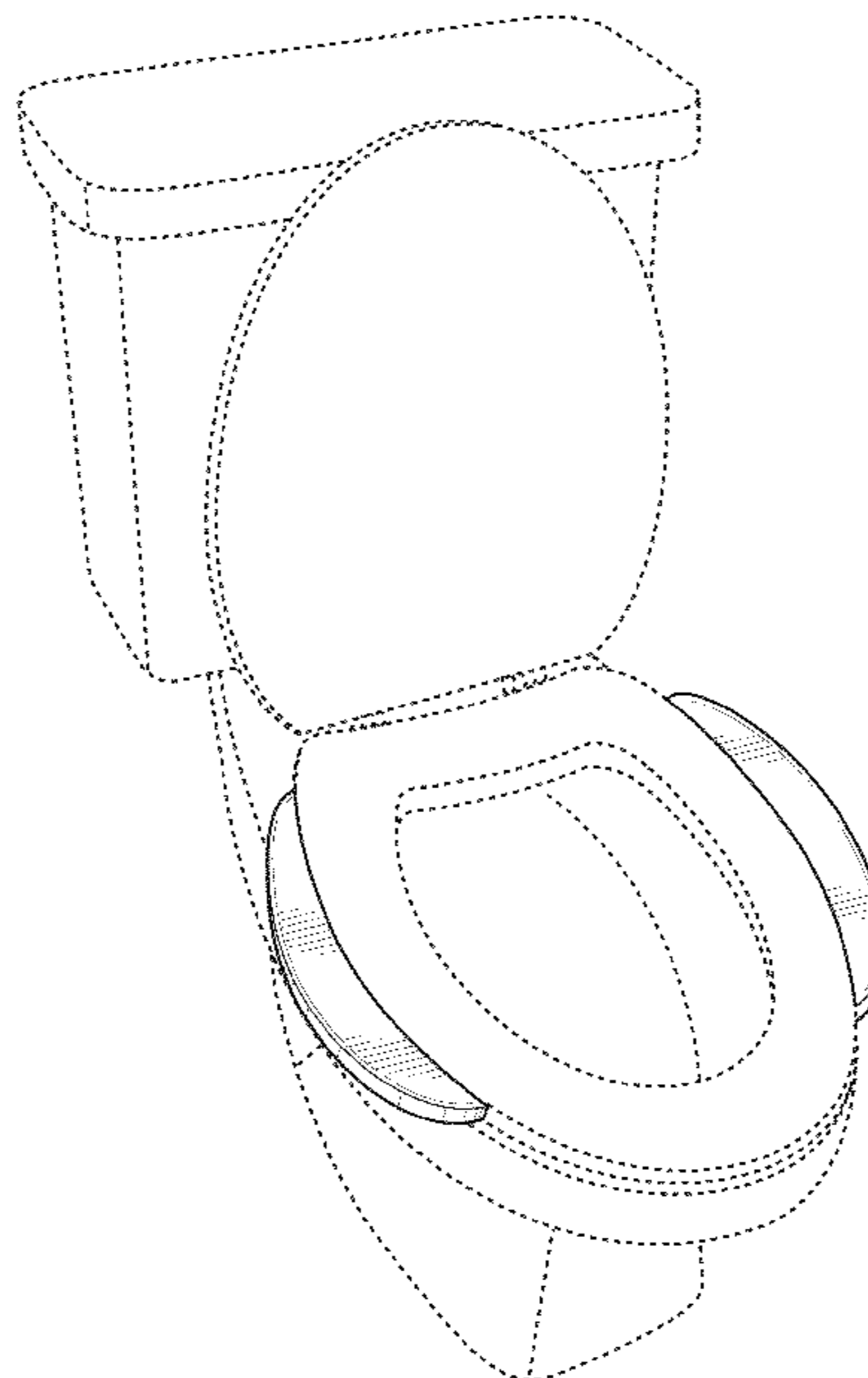
FIG. 1 is an overhead perspective view of the toilet seat toe lift.

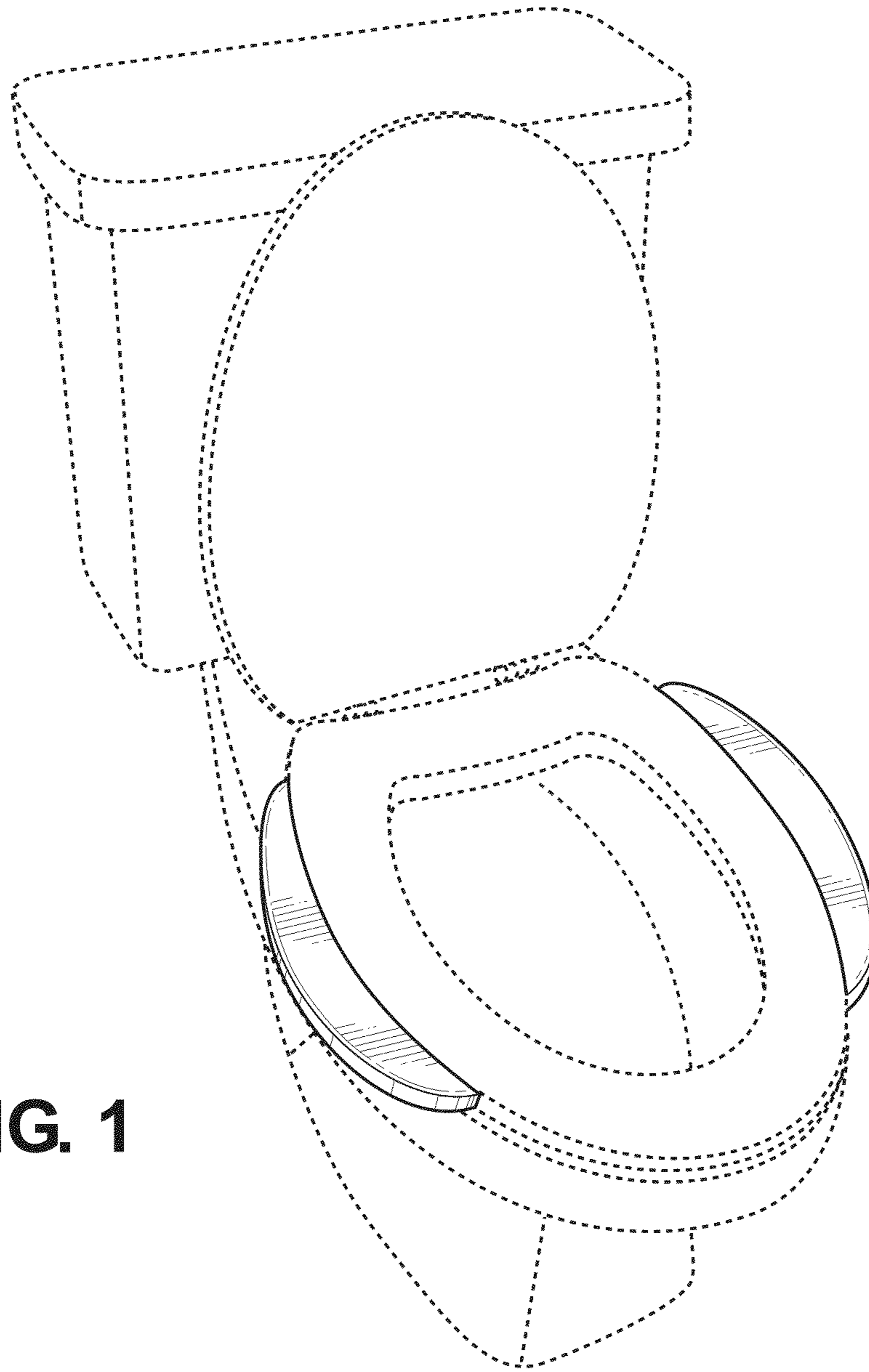
FIG. 2 is an underside perspective view of the toilet seat toe lift.

FIG. 3 is an overhead view of the toilet seat toe lift; and, FIG. 4 is a side view of the toilet seat toe lift.

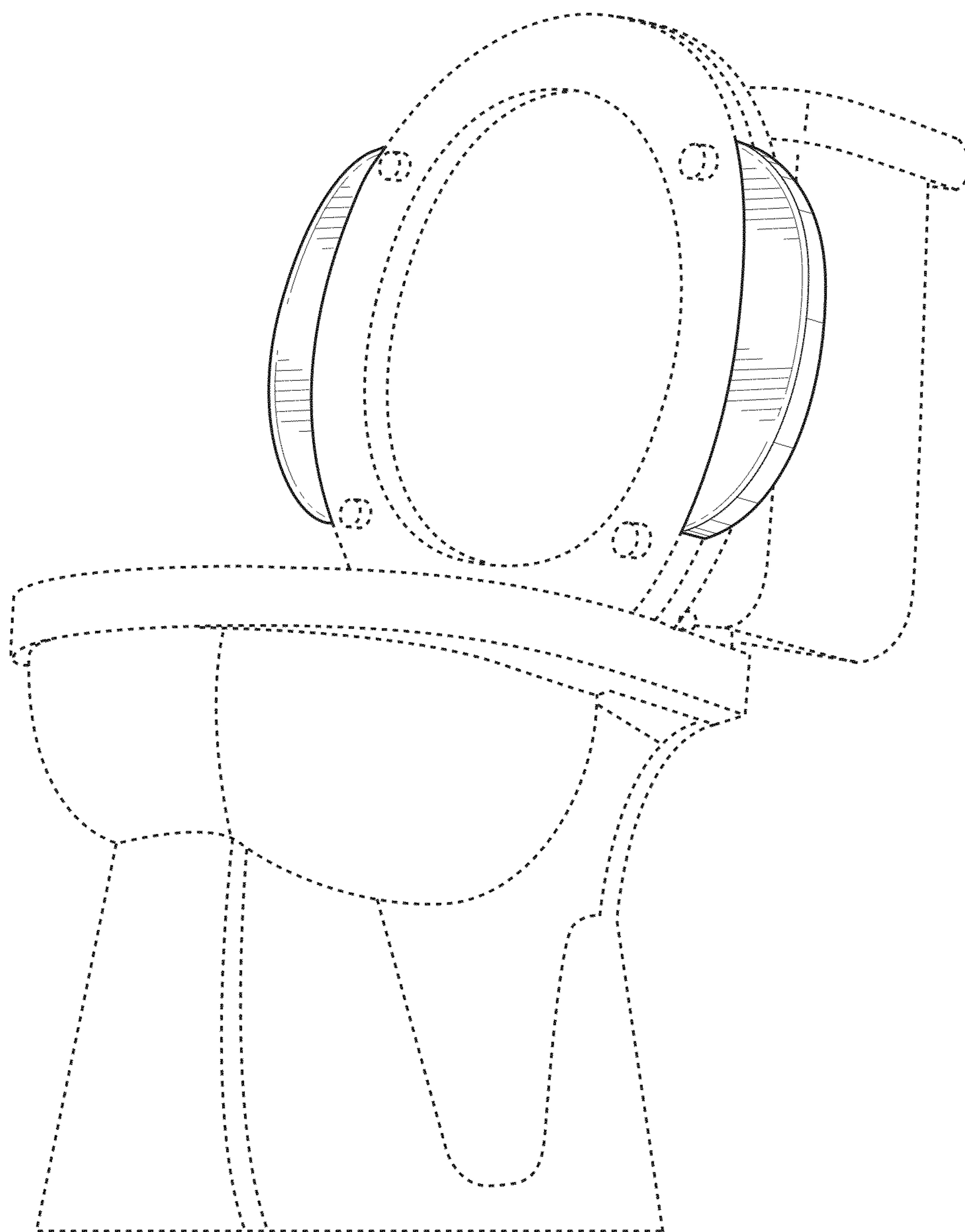
The broken lines form no part of the claimed design.

**1 Claim, 3 Drawing Sheets**

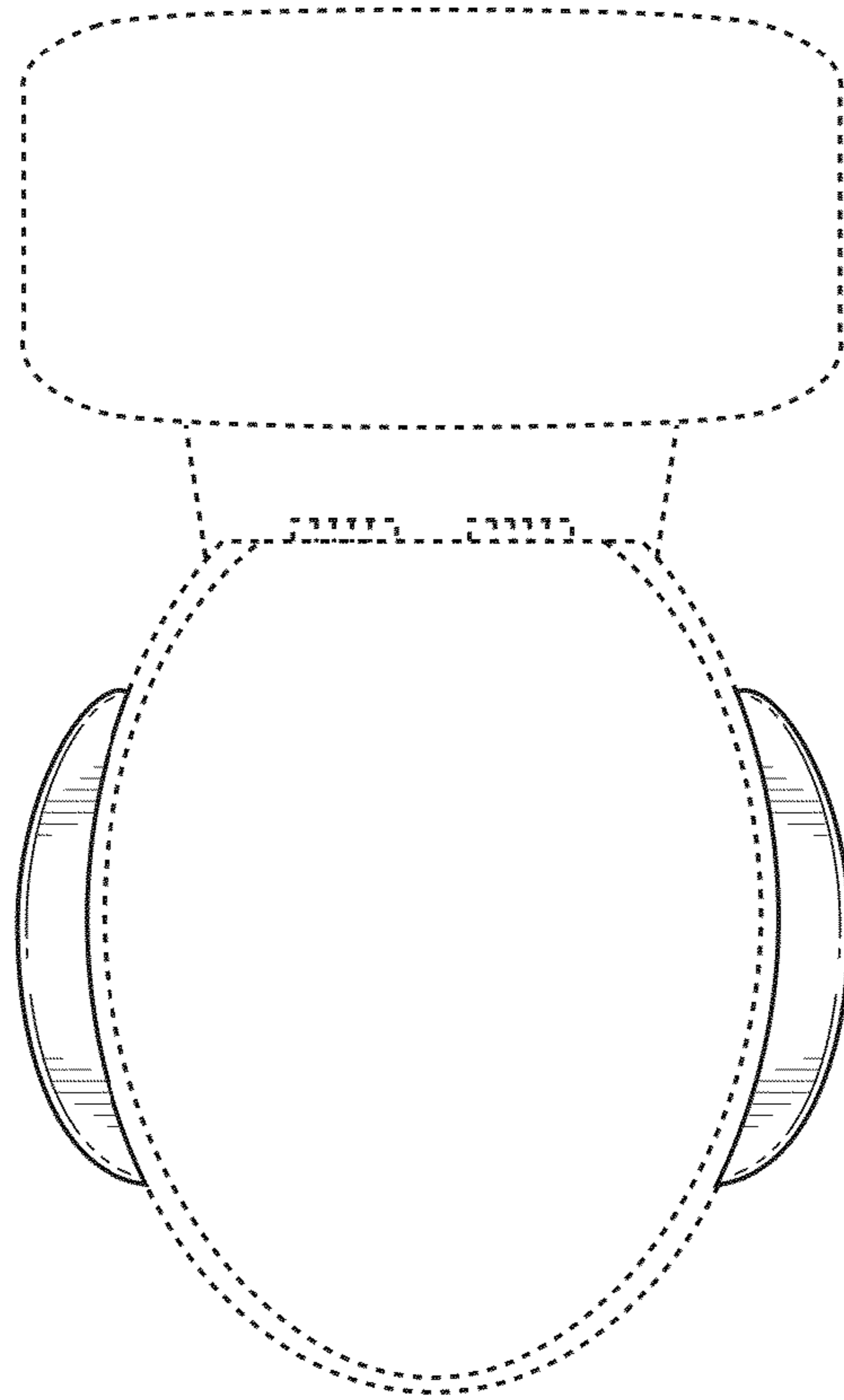




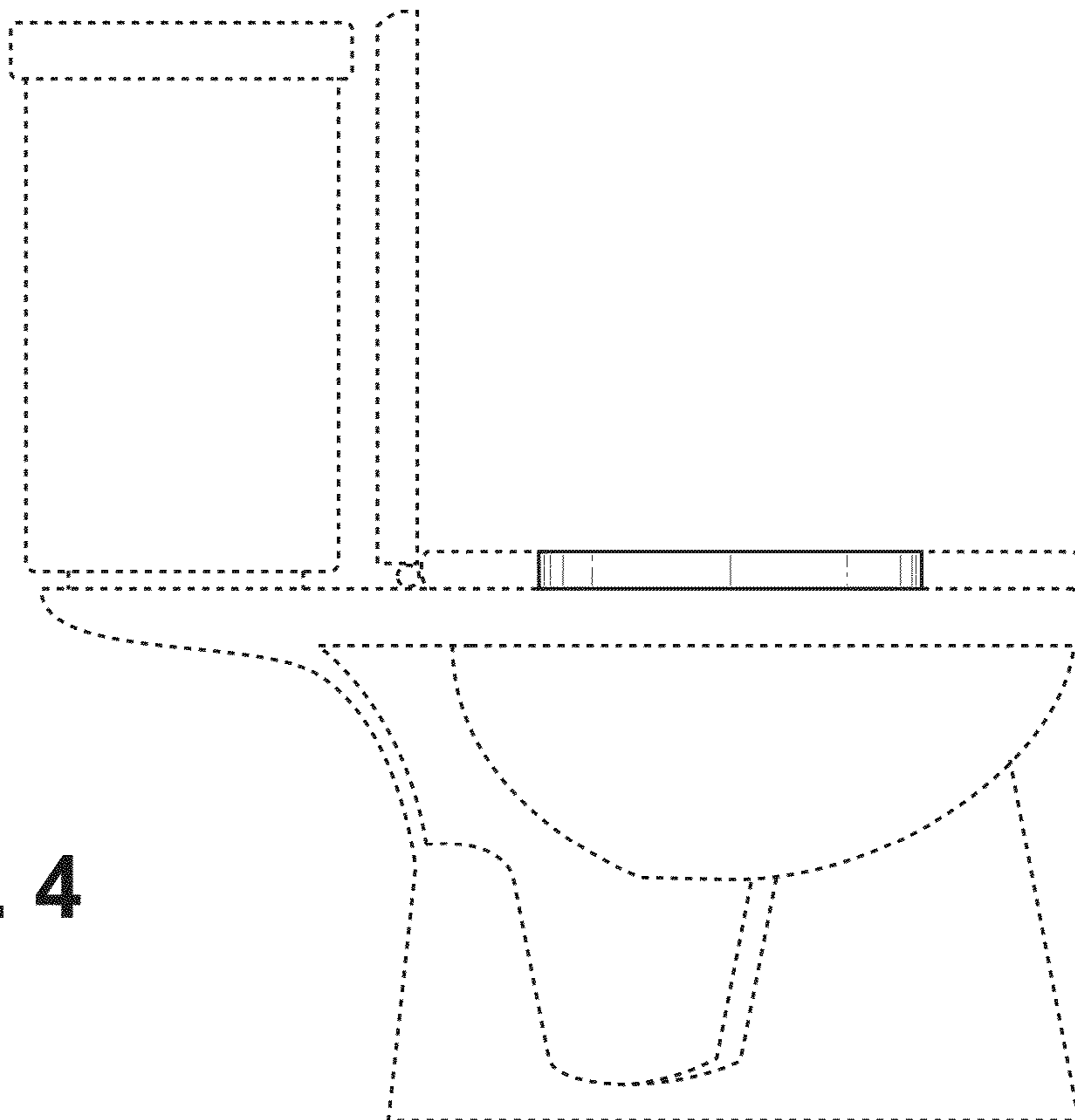
**FIG. 1**



**FIG. 2**



**FIG. 3**



**FIG. 4**