



US00D688932S

(12) **United States Design Patent**
Sgambellone

(10) **Patent No.:** **US D688,932 S**

(45) **Date of Patent:** **** Sep. 3, 2013**

(54) **ADJUSTABLE CUTTER**

(71) Applicant: **David L. Sgambellone**, Simi Valley, CA
(US)

(72) Inventor: **David L. Sgambellone**, Simi Valley, CA
(US)

(**) Term: **14 Years**

(21) Appl. No.: **29/439,327**

(22) Filed: **Dec. 10, 2012**

(51) **LOC (9) Cl.** **08-03**

(52) **U.S. Cl.**
USPC **D8/98**

(58) **Field of Classification Search**
USPC D7/694; D8/8, 13, 14, 98; D4/122;
30/1, 173, 265, 304, 307, 353; 83/884
See application file for complete search history.

(56) **References Cited**

U.S. PATENT DOCUMENTS

841,152	A *	1/1907	Jelley	30/307
958,809	A *	5/1910	Hawkins	30/307
1,200,284	A *	10/1916	Wheaton	30/307
1,343,844	A *	6/1920	Rapavy	30/307
1,474,004	A *	11/1923	Roberts	30/307
2,304,759	A *	12/1942	Carroll	30/307

2,493,244	A *	1/1950	Gustafson	30/307
2,684,533	A *	7/1954	Kern	30/292
D249,013	S *	8/1978	Carman	D8/13
4,156,968	A *	6/1979	Gould et al.	30/307
4,606,126	A *	8/1986	Davis	30/307
5,153,993	A *	10/1992	Whisnant	30/117
D363,870	S *	11/1995	Oberloier et al.	D8/98
D439,416	S *	3/2001	Weiss	D4/122
D511,075	S *	11/2005	Christ et al.	D7/694
2007/0294898	A1 *	12/2007	Beltran	30/307

* cited by examiner

Primary Examiner — Philip S Hyder

Assistant Examiner — Roselynn Cody

(74) *Attorney, Agent, or Firm* — Richard S Erbe

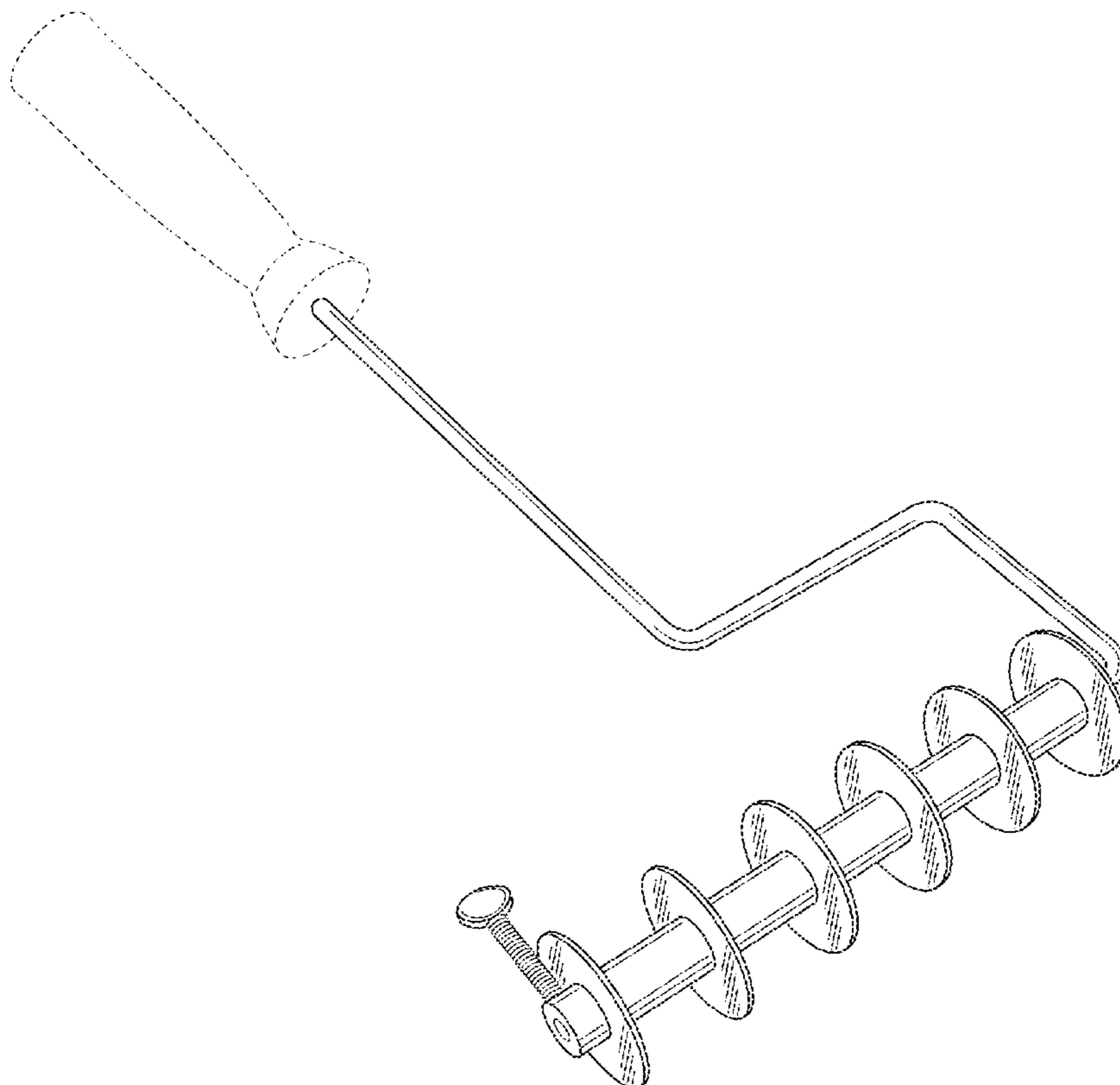
(57) **CLAIM**

The ornamental design for an adjustable cutter, as shown and described.

DESCRIPTION

FIG. 1 is a perspective view of my adjustable cutter; FIG. 2 is a front elevational view of my adjustable cutter; FIG. 3 is a rear elevational view of my adjustable cutter; FIG. 4 is a right side elevational view of my adjustable cutter; FIG. 5 is a left side elevational view of my adjustable cutter; FIG. 6 is a top plan view of my adjustable cutter; and, FIG. 7 is a bottom plan view of my adjustable cutter. The broken-line disclosure in the views is for illustrative purposes only and forms no part of the claimed design.

1 Claim, 3 Drawing Sheets



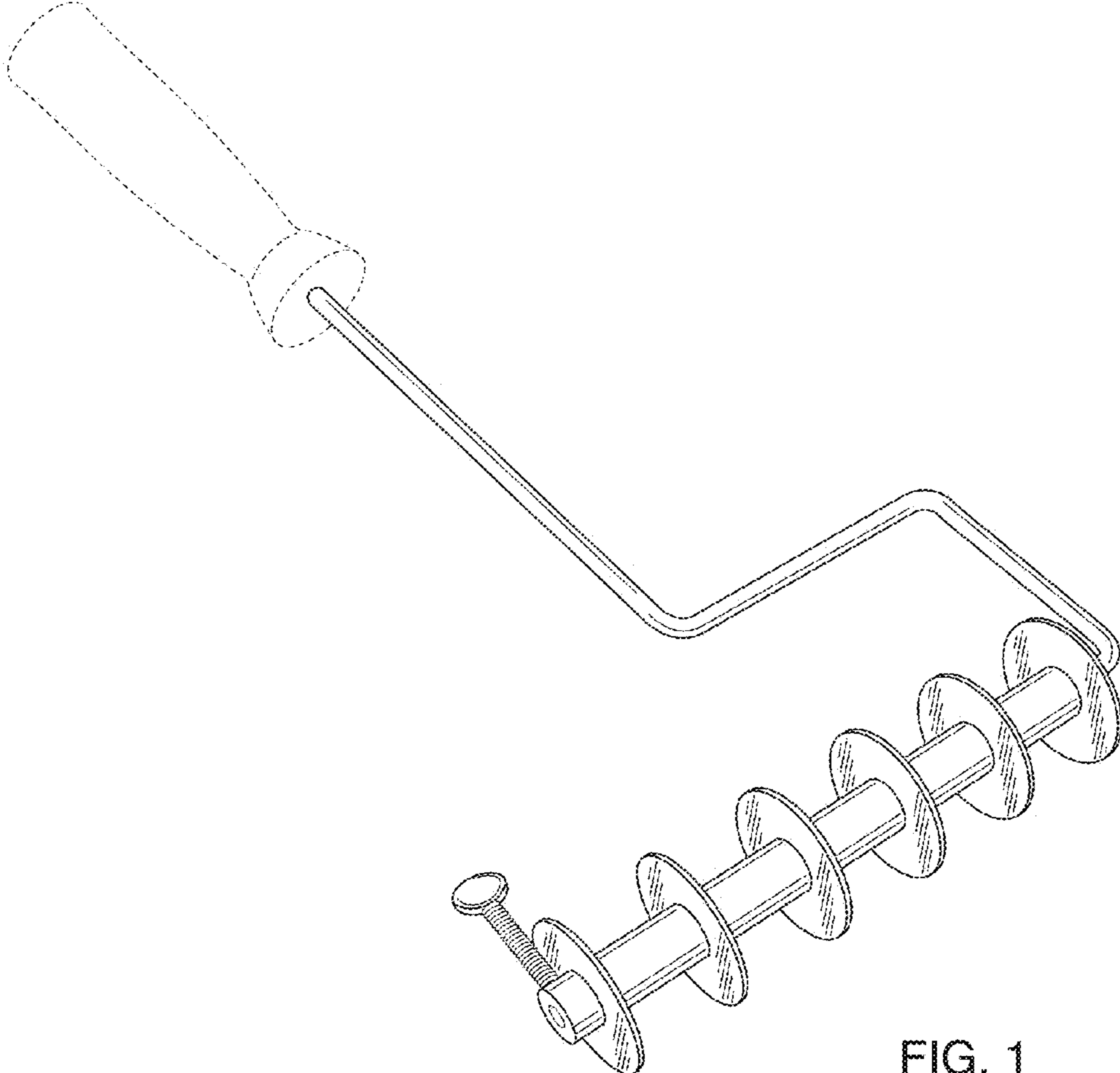


FIG. 1

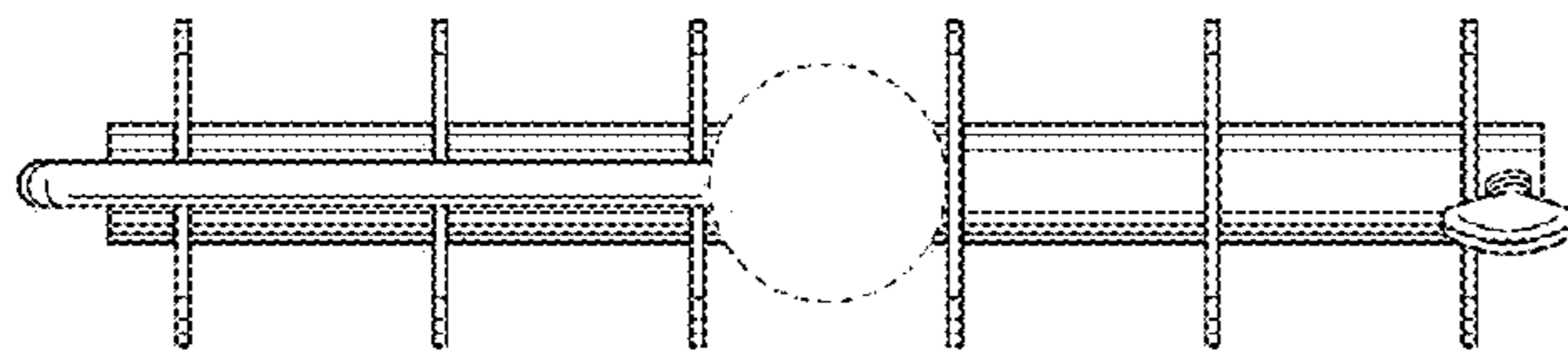


FIG. 2

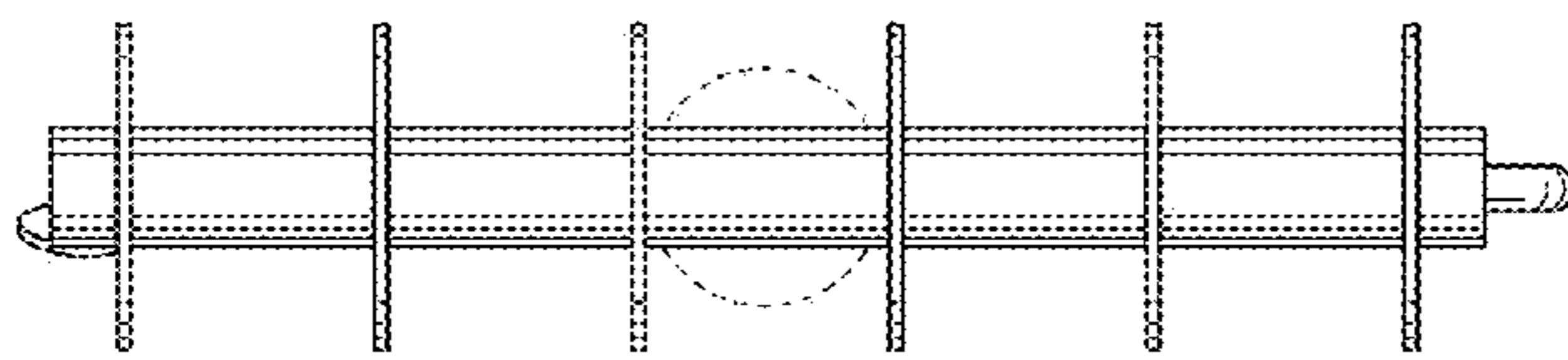


FIG. 3

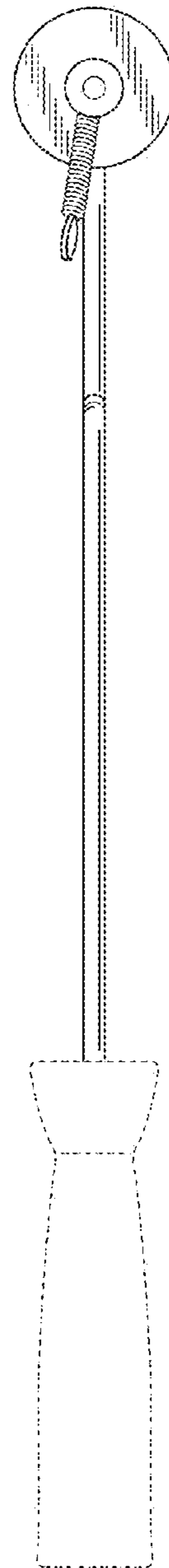


FIG. 4

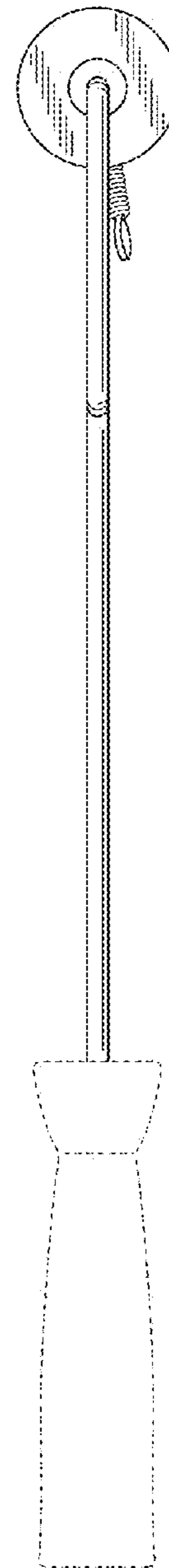


FIG. 5

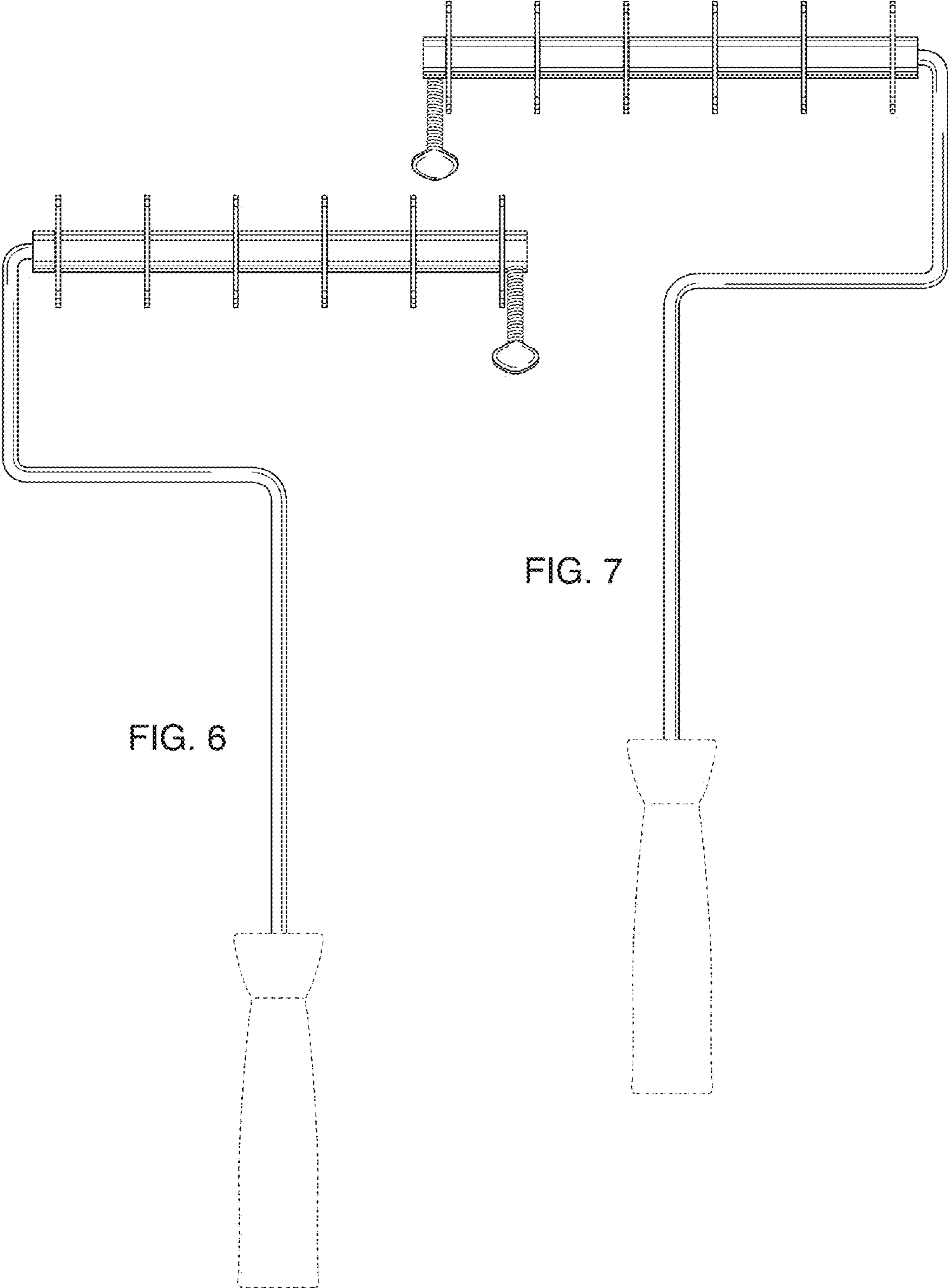


FIG. 6

FIG. 7