



US00D688929S

(12) **United States Design Patent**
Busschaert et al.

(10) **Patent No.:** **US D688,929 S**

(45) **Date of Patent:** **** Sep. 3, 2013**

(54) **RECIPROCATING SAW**

(75) Inventors: **Jason F. Busschaert**, Bel Air, MD (US);
Dustin M. Lee, Dublin, OH (US)

(73) Assignee: **Black & Decker, Inc.**, Newark, DE (US)

(**) Term: **14 Years**

(21) Appl. No.: **29/412,823**

(22) Filed: **Feb. 8, 2012**

(51) **LOC (9) Cl.** **08-03**

(52) **U.S. Cl.**
USPC **D8/64**

(58) **Field of Classification Search**

USPC D8/69, 68, 67, 66, 65, 64, 62, 61;
30/92, 394, 393, 392, 377, 376, 371; 74/50,
74/49; 173/217, 216; 83/699.21; 446/145
See application file for complete search history.

(56) **References Cited**

U.S. PATENT DOCUMENTS

D473,771 S *	4/2003	Hayakawa et al.	D8/64
D506,117 S *	6/2005	Sun et al.	D8/64
D551,045 S *	9/2007	Kokawa	D8/64
D560,988 S *	2/2008	Watson et al.	D8/64
D591,574 S *	5/2009	DiPasquale et al.	D8/64
D596,005 S *	7/2009	Schoch	D8/64

D631,314 S *	1/2011	Baxter	D8/64
D639,130 S *	6/2011	Ukai et al.	D8/64
D661,564 S *	6/2012	Busschaert	D8/64
D674,263 S *	1/2013	Aglassinger	D8/64
2004/0237678 A1 *	12/2004	Lagaly et al.	74/49
2005/0257382 A1 *	11/2005	Lui et al.	30/392
2006/0288591 A1 *	12/2006	Chreene et al.	30/392

* cited by examiner

Primary Examiner — Austin Murphy

(74) *Attorney, Agent, or Firm* — Michael Aronoff; Kofi Schulterbrandt

(57) **CLAIM**

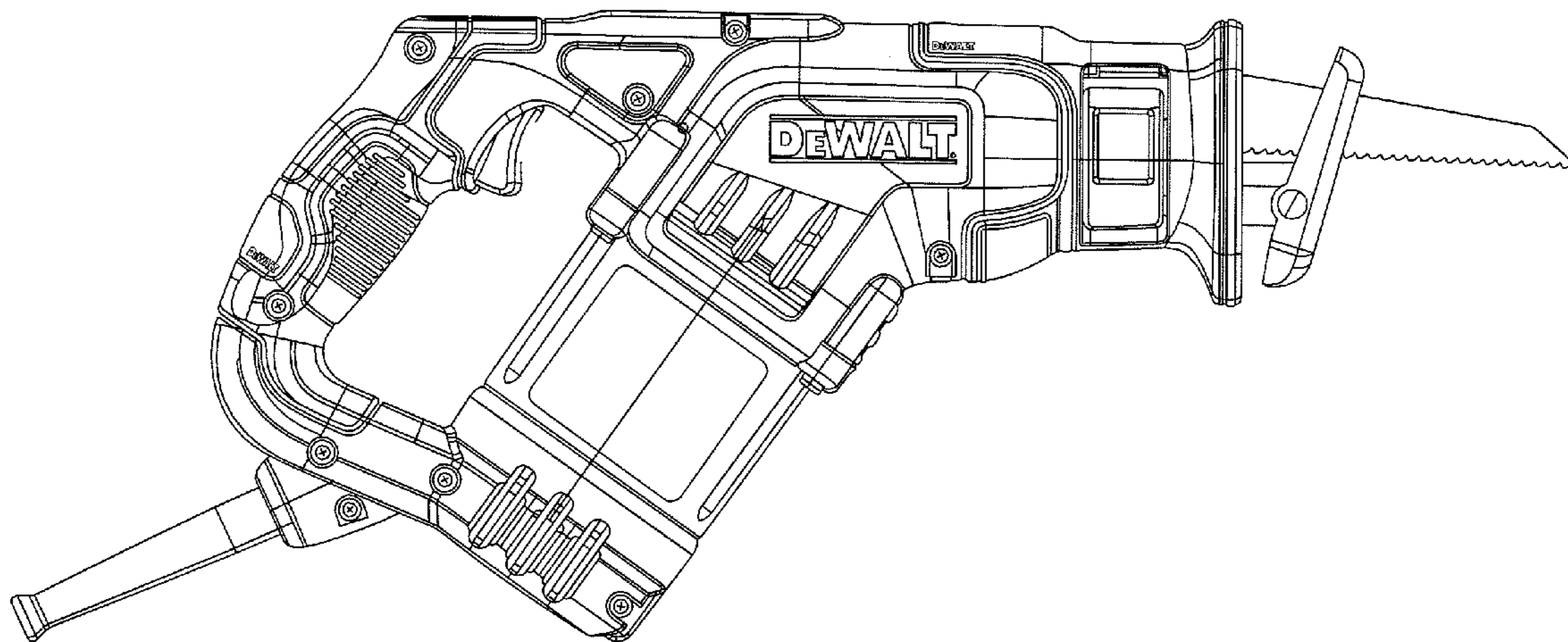
The ornamental design for a reciprocating saw, as shown and described.

DESCRIPTION

FIG. 1 is a right/front perspective view of a reciprocating saw showing our new design.
FIG. 2 is a right side view thereof.
FIG. 3 is a left side view thereof.
FIG. 4 is a top view thereof.
FIG. 5 is a bottom view thereof.
FIG. 6 is a front view thereof; and,
FIG. 7 is a rear view thereof.

The broken lines shown in the drawings represent portions of the reciprocating saw that form no part of the claimed design.

1 Claim, 5 Drawing Sheets



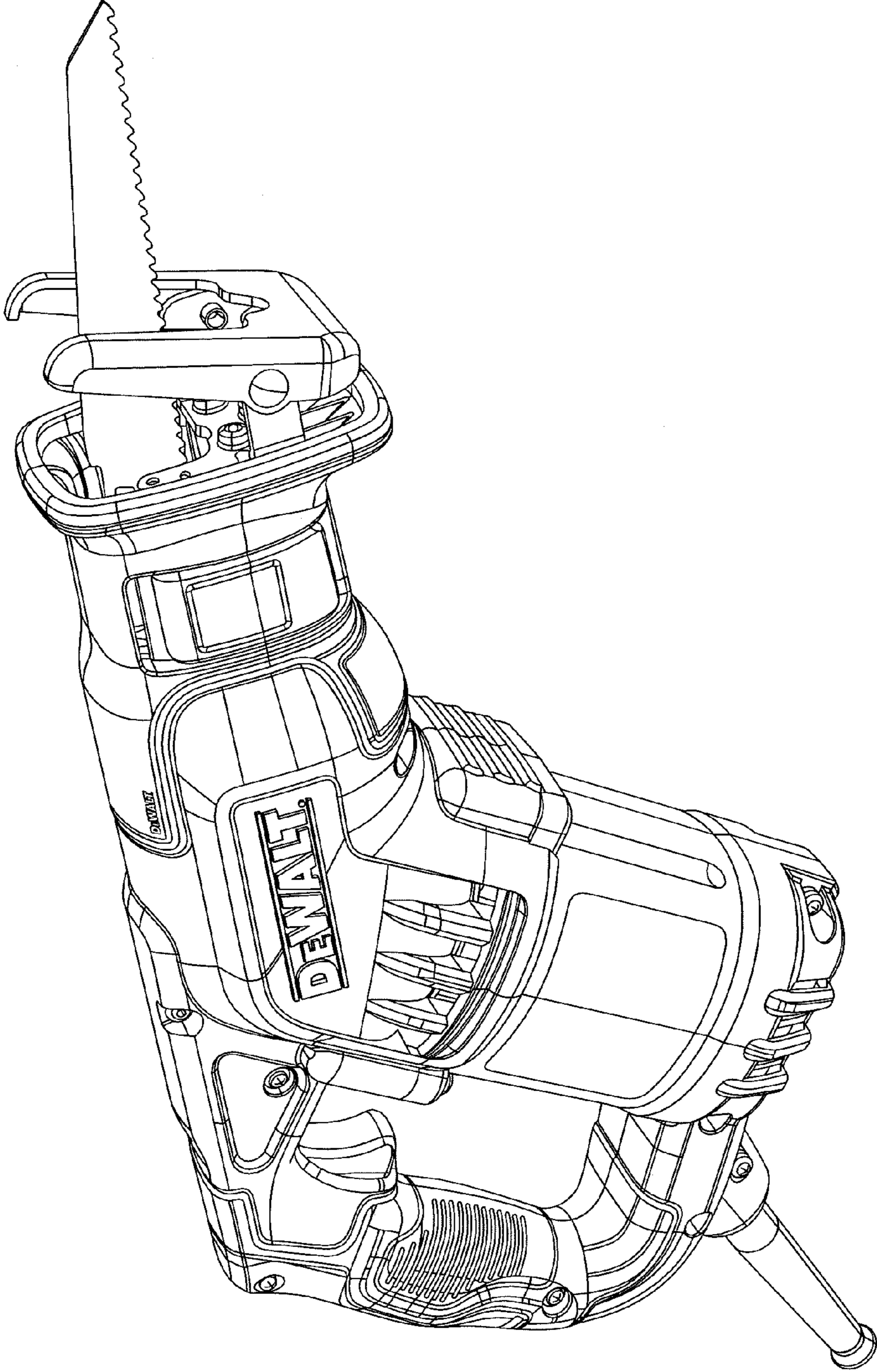


FIG. 1

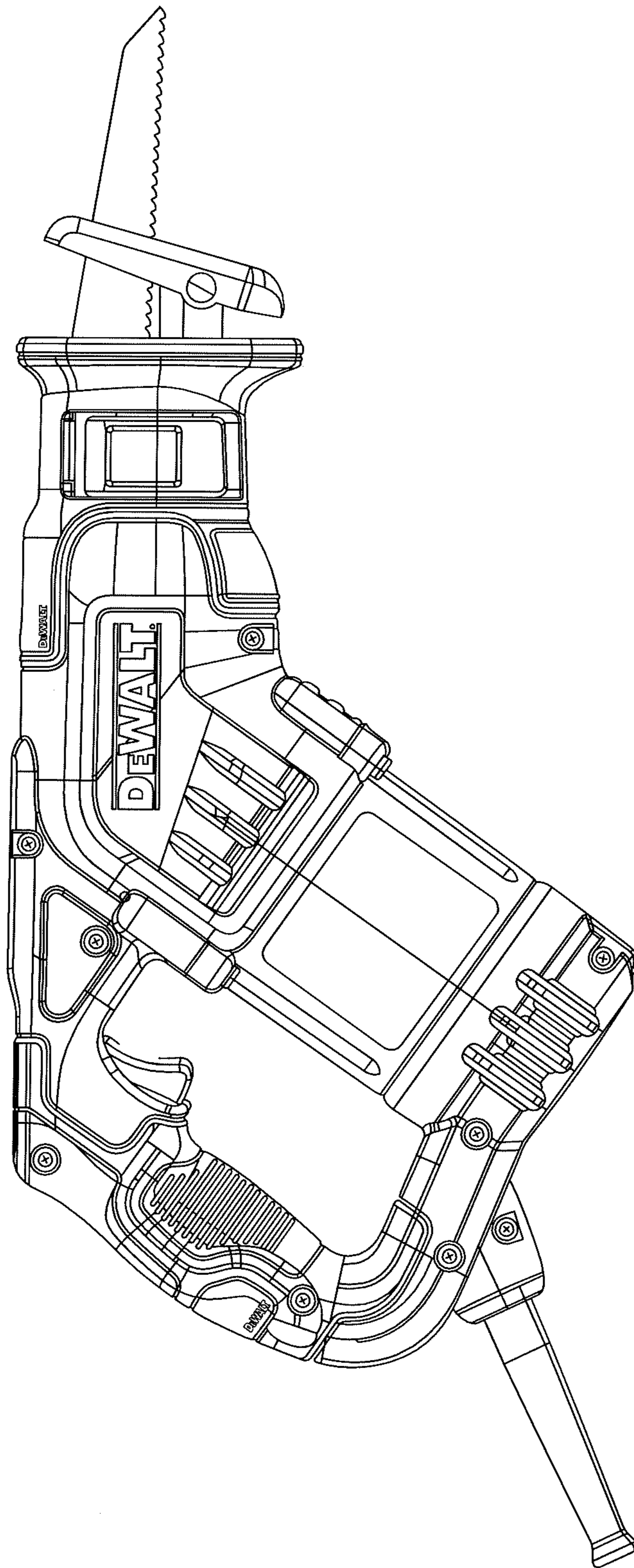


FIG. 2

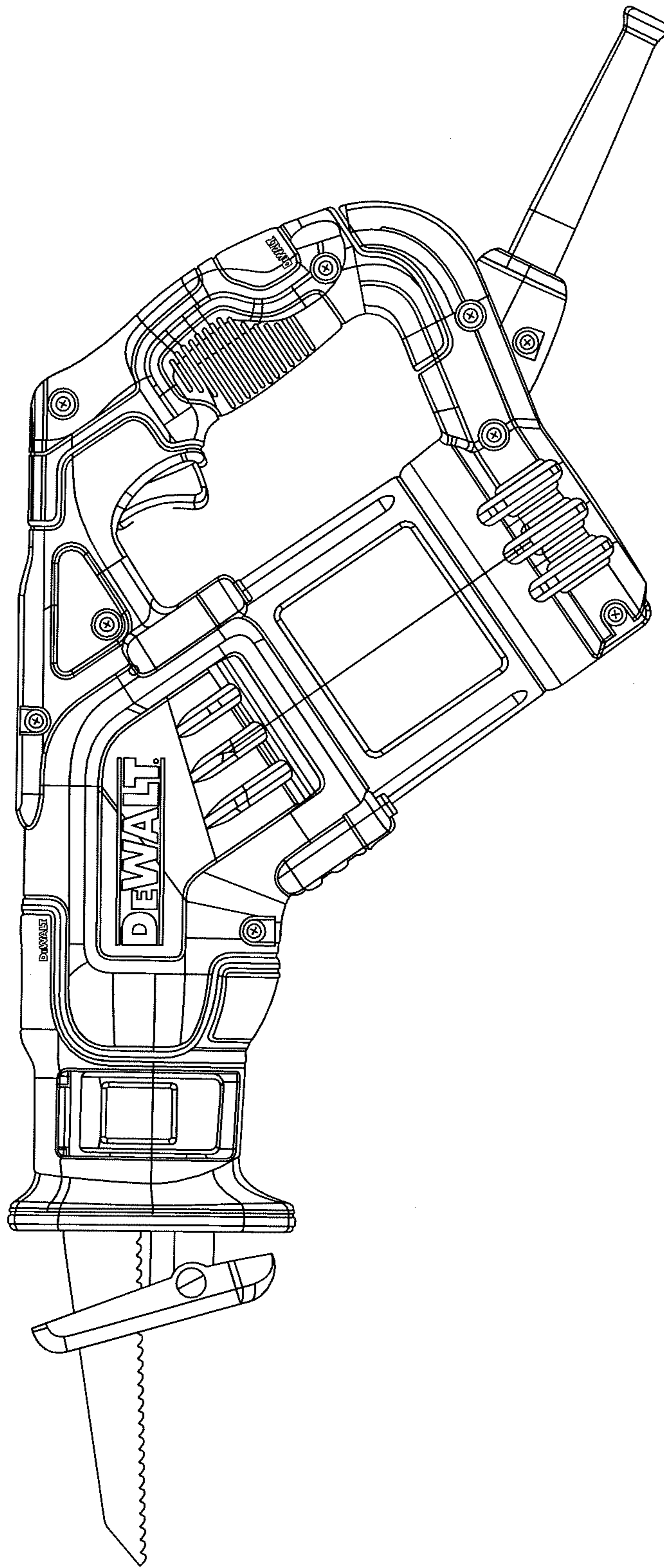


FIG. 3

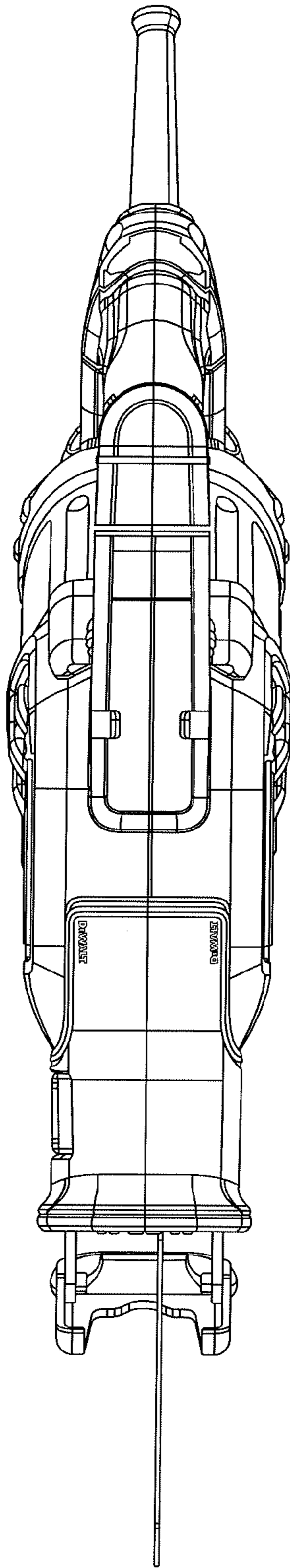


FIG. 4

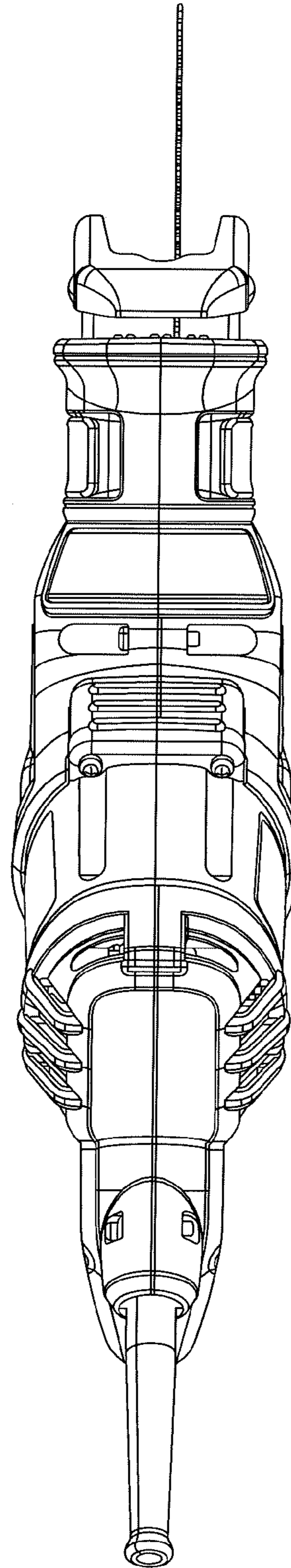


FIG. 5

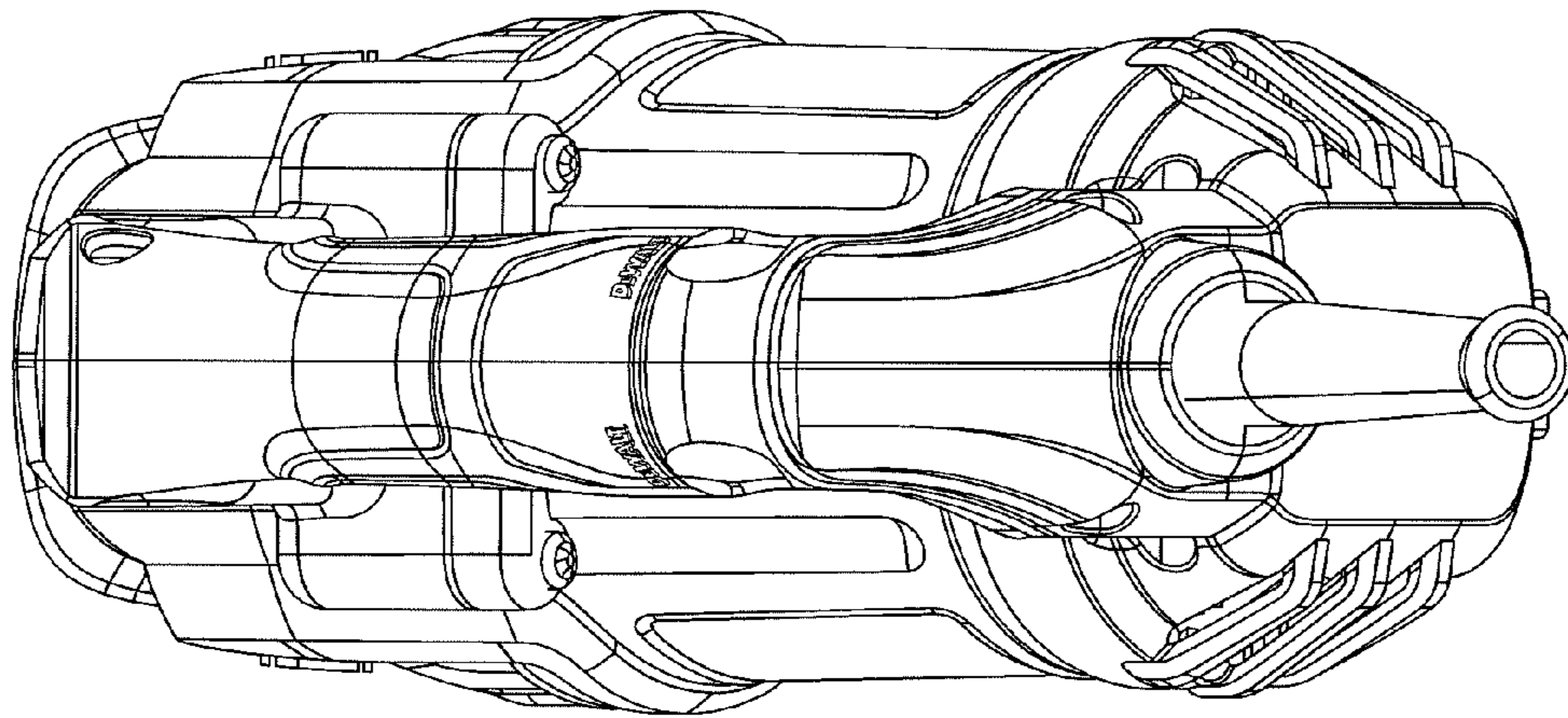


FIG. 7

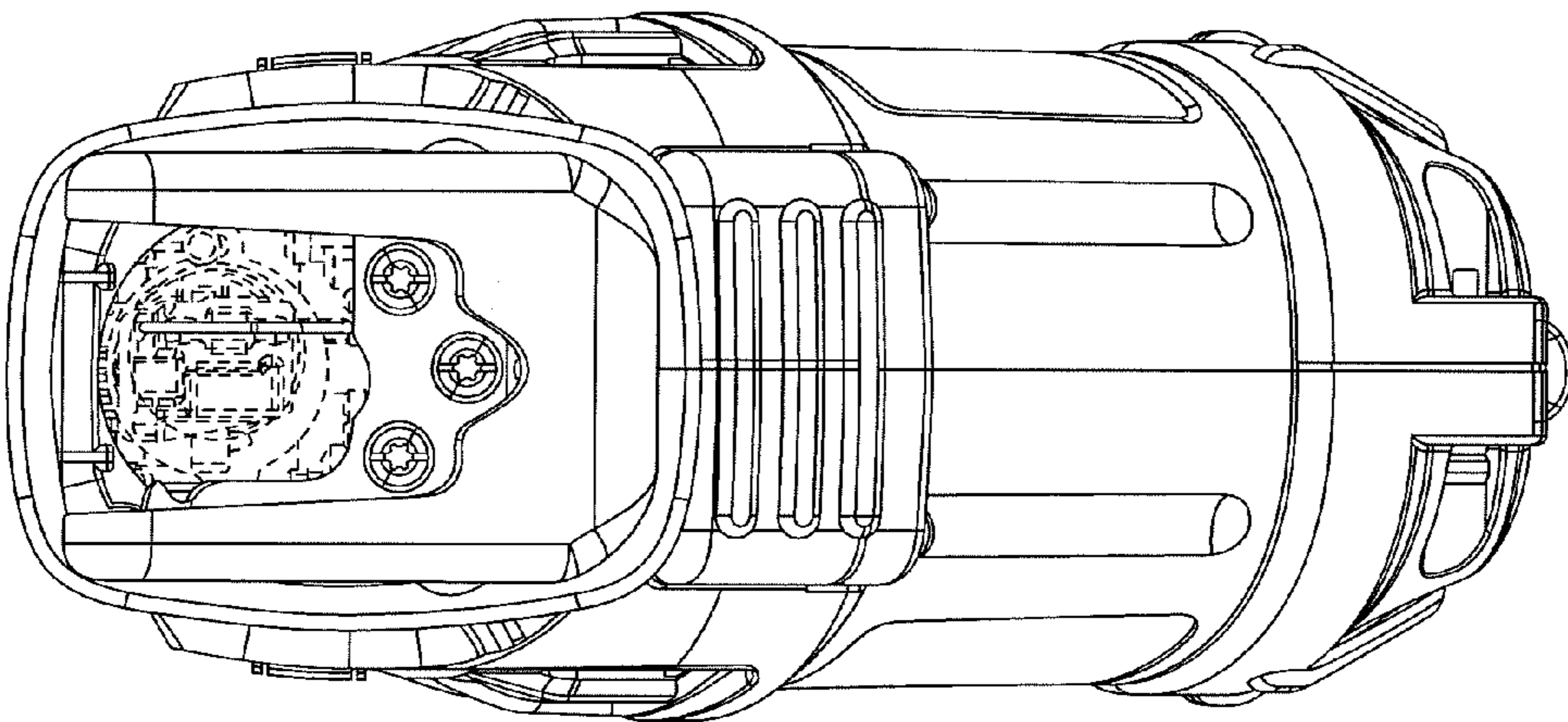


FIG. 6