



US00D688928S

(12) **United States Design Patent**
Busschaert

(10) **Patent No.:** **US D688,928 S**

(45) **Date of Patent:** **** Sep. 3, 2013**

(54) **RECIPROCATING SAW**

(75) Inventor: **Jason F. Busschaert**, Bel Air, MD (US)

(73) Assignee: **Black & Decker, Inc.**, Newark, DE (US)

(**) Term: **14 Years**

(21) Appl. No.: **29/412,821**

(22) Filed: **Feb. 8, 2012**

(51) **LOC (9) Cl.** **08-03**

(52) **U.S. Cl.**
USPC **D8/64**

(58) **Field of Classification Search**

USPC D8/69, 68, 67, 66, 65, 64, 62, 61;
30/92, 394, 393, 392, 377, 376, 371; 74/50,
74/49; 173/217, 216; 83/699.21; 446/145
See application file for complete search history.

(56) **References Cited**

U.S. PATENT DOCUMENTS

D440,849 S * 4/2001 Sakai et al. D8/64
6,286,609 B1 * 9/2001 Carrier et al. 173/1
D471,418 S * 3/2003 Chunn et al. D8/64
D473,771 S * 4/2003 Hayakawa et al. D8/64
D474,088 S * 5/2003 Chunn et al. D8/64
6,568,089 B1 * 5/2003 Popik et al. 30/392

D523,312 S * 6/2006 Ozawa et al. D8/64
D524,131 S * 7/2006 Chunn et al. D8/64
D596,005 S * 7/2009 Schoch D8/64

* cited by examiner

Primary Examiner — Austin Murphy

(74) *Attorney, Agent, or Firm* — Michael Aronoff; Kofi
Schulterbrandt

(57) **CLAIM**

The ornamental design for a reciprocating saw, as shown and
described.

DESCRIPTION

FIG. 1 is a left/front perspective view of a reciprocating saw
showing my new design.

FIG. 2 is a left side view thereof.

FIG. 3 is a right side view thereof.

FIG. 4 is a rear view thereof.

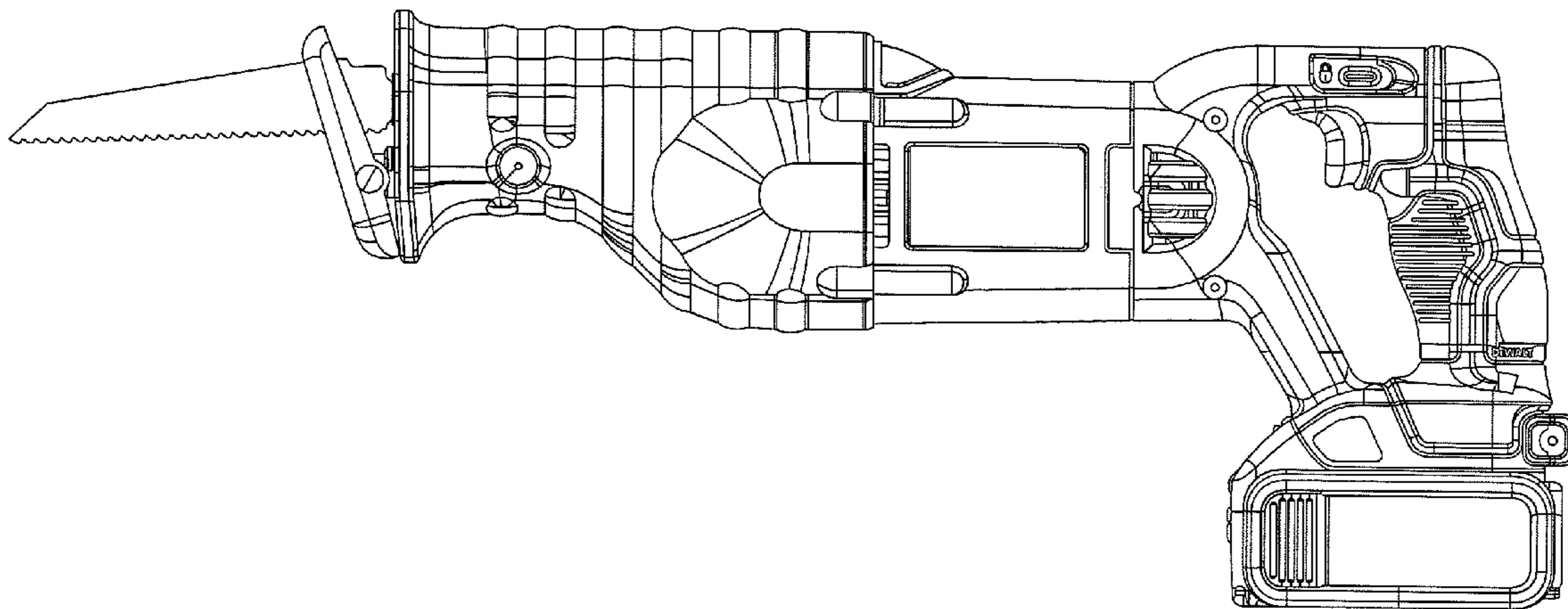
FIG. 5 is a front view thereof.

FIG. 6 is a top view thereof; and,

FIG. 7 is a bottom view thereof.

The broken lines shown in the drawings represent portions of
the reciprocating saw that form no part of the claimed design.

1 Claim, 6 Drawing Sheets



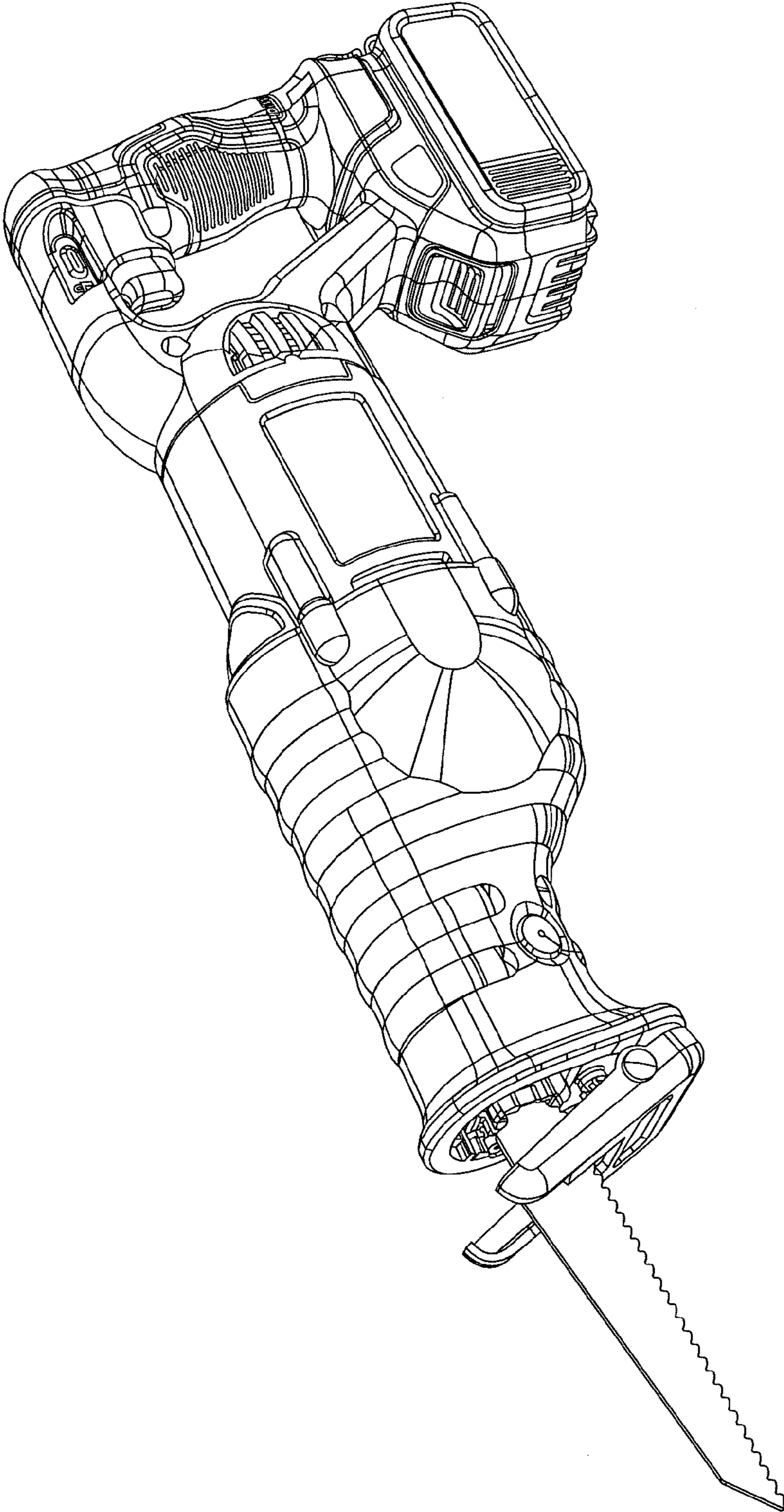


FIG. 1

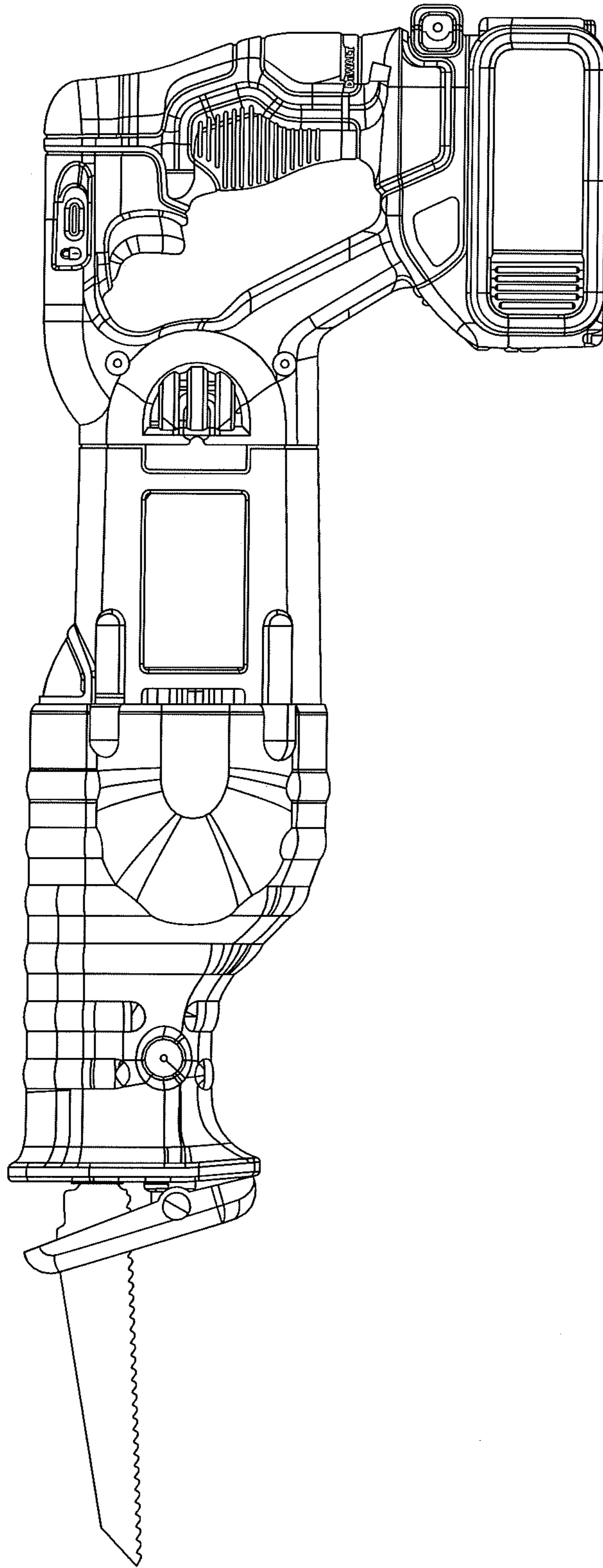


FIG. 2

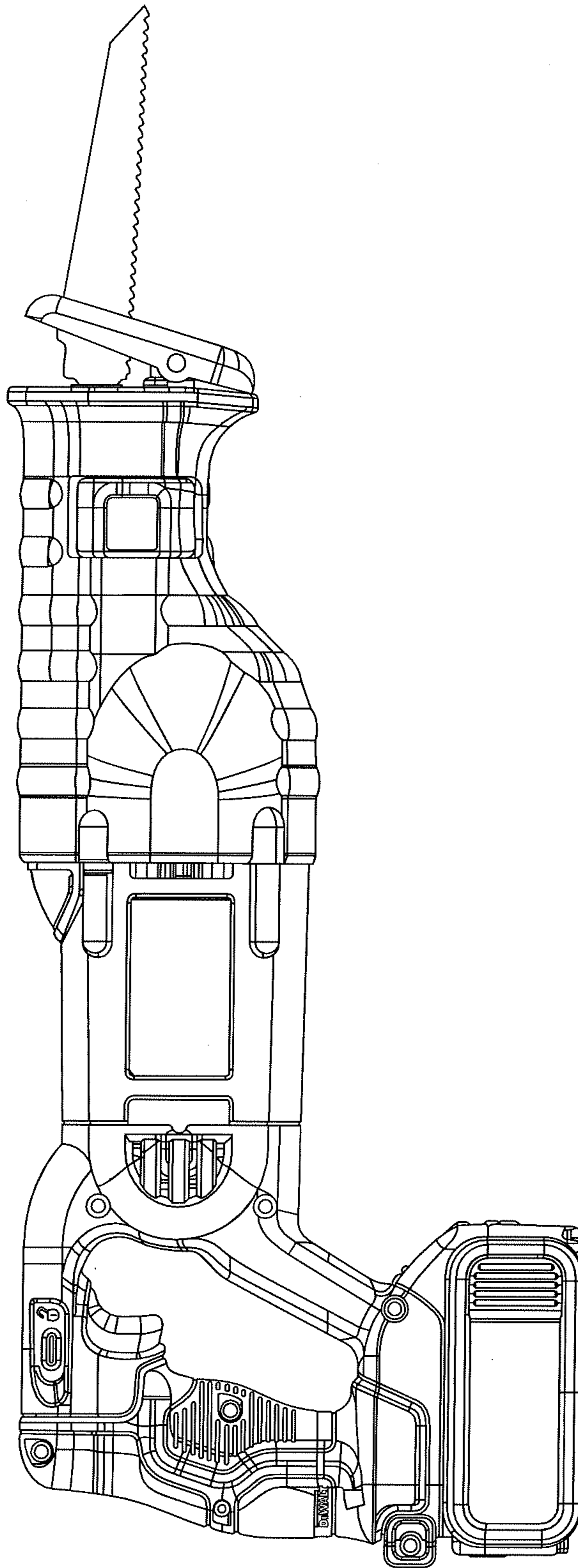


FIG. 3

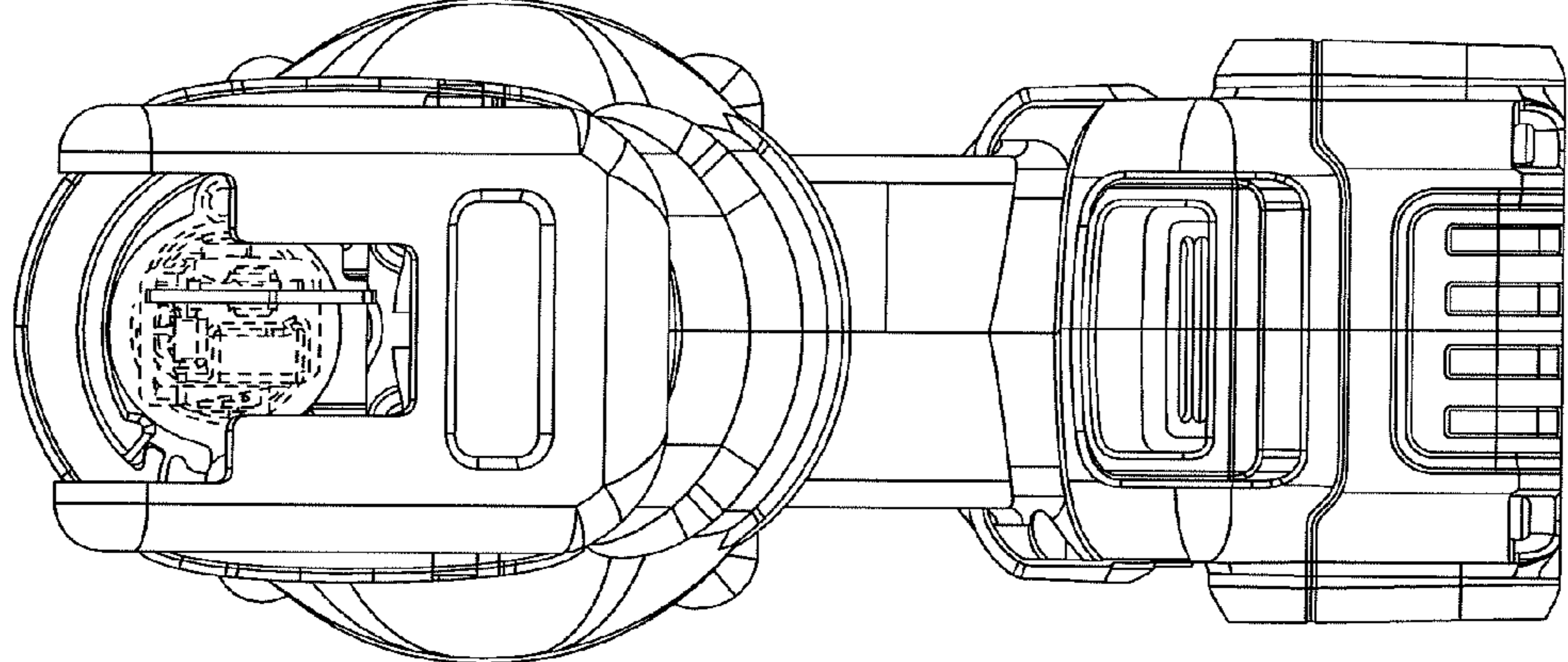


FIG. 5

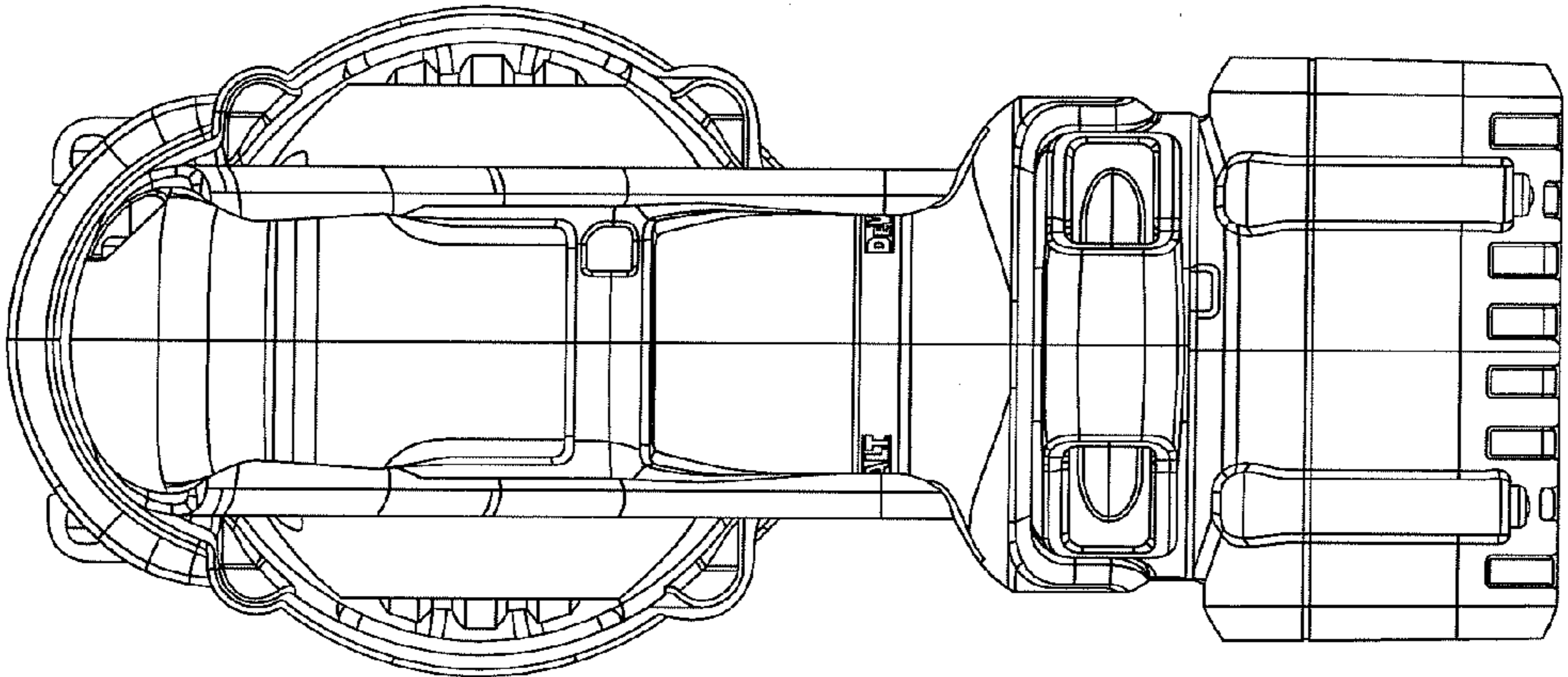


FIG. 4

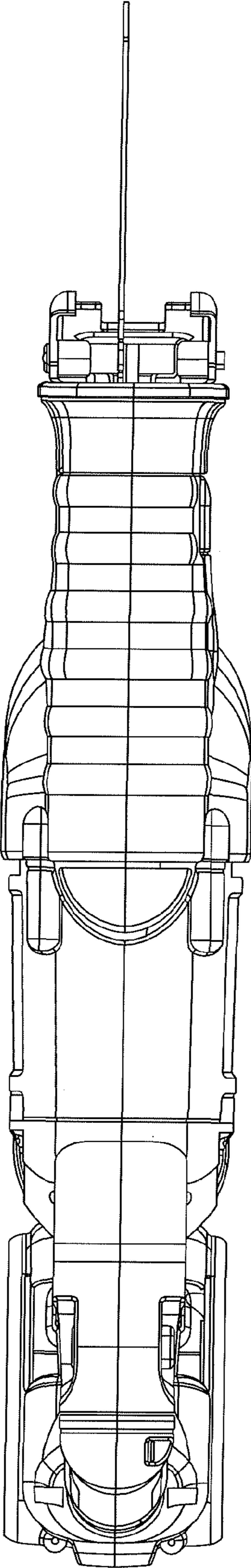


FIG. 6

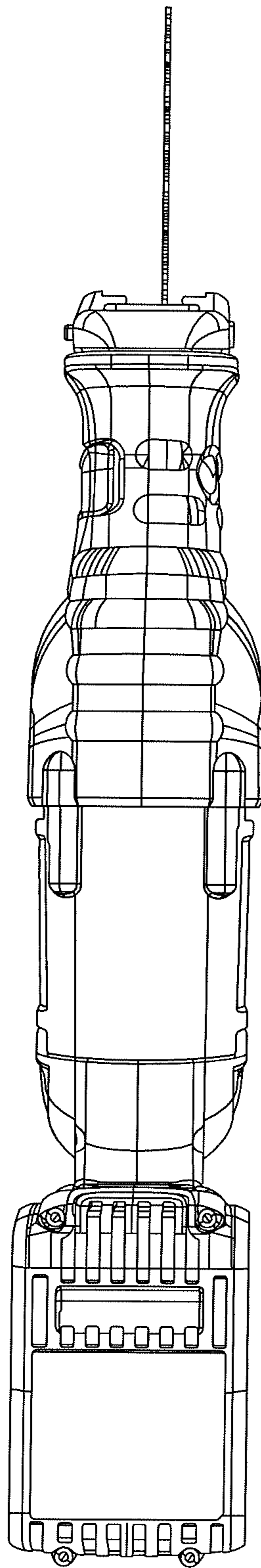


FIG. 7