



US00D688927S

(12) **United States Design Patent**  
**Wong**

(10) **Patent No.:** **US D688,927 S**

(45) **Date of Patent:** **\*\* Sep. 3, 2013**

(54) **WIRE STRIPPER**

(75) Inventor: **Kingston Wong**, Beach Park, IL (US)

(73) Assignee: **Klein Tools, Inc.**, Lincolnshire, IL (US)

(\*\*) Term: **14 Years**

(21) Appl. No.: **29/387,890**

(22) Filed: **Mar. 21, 2011**

(51) **LOC (9) Cl.** ..... **08-05**

(52) **U.S. Cl.**

USPC ..... **D8/52**

(58) **Field of Classification Search**

USPC ..... D8/51, 52, 54, 59, 32, 98; 72/370.12,  
72/482.7; 81/309, 316-322, 300, 352, 381;  
29/268, 270, 750-751, 753

See application file for complete search history.

(56) **References Cited**

**U.S. PATENT DOCUMENTS**

D359,214 S *	6/1995	Carlson et al.	.....	D8/51
D481,607 S *	11/2003	Ahlgren et al.	.....	D8/98
7,003,883 B2 *	2/2006	Tapper	.....	30/90.1
7,316,058 B2	1/2008	Jee		

**OTHER PUBLICATIONS**

Photographs of Cabelcon wire stripper pre-2011.

Photographs of Snap-N-Seal wire stripper pre-2011.

Photographs of Ideal wire stripper pre-2011.

\* cited by examiner

*Primary Examiner* — Sheryl Lane

(74) *Attorney, Agent, or Firm* — McDonnell Boehnen Hulbert & Berghoff

(57) **CLAIM**

The ornamental design for a wire stripper, as shown and described.

**DESCRIPTION**

FIG. 1 is a perspective right side view of a wire stripper having the inventive design;

FIG. 2 is a right side view of the wire stripper shown in FIG. 1;

FIG. 3 is a left side view of the wire stripper shown in FIG. 1;

FIG. 4 is a top view of the wire stripper shown in FIG. 1;

FIG. 5 is a bottom view of the wire stripper shown in FIG. 1;

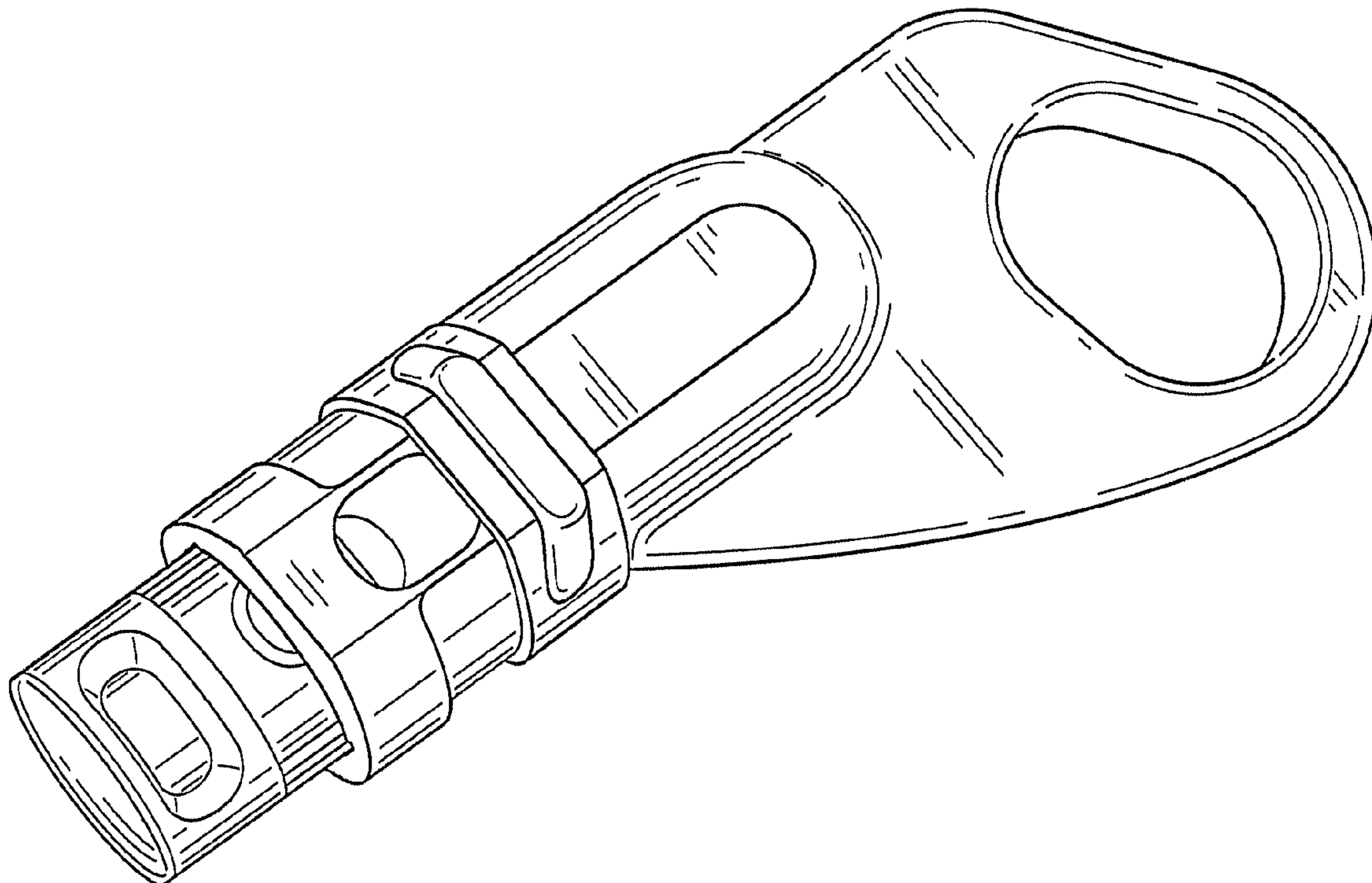
FIG. 6 is front view of the wire stripper shown in FIG. 1;

FIG. 7 is a rear view of the wire stripper shown in FIG. 1;

FIG. 8 is a right side view of the wire stripper shown in FIG. 2 with the plunger (shown on far left) compressed into the housing and the stop moved into a position to block a hole in the housing; and,

FIG. 9 is a right side view of the wire stripper shown in FIG. 8 where the stop has been moved into a position such that the hole in the housing is not block.

**1 Claim, 4 Drawing Sheets**



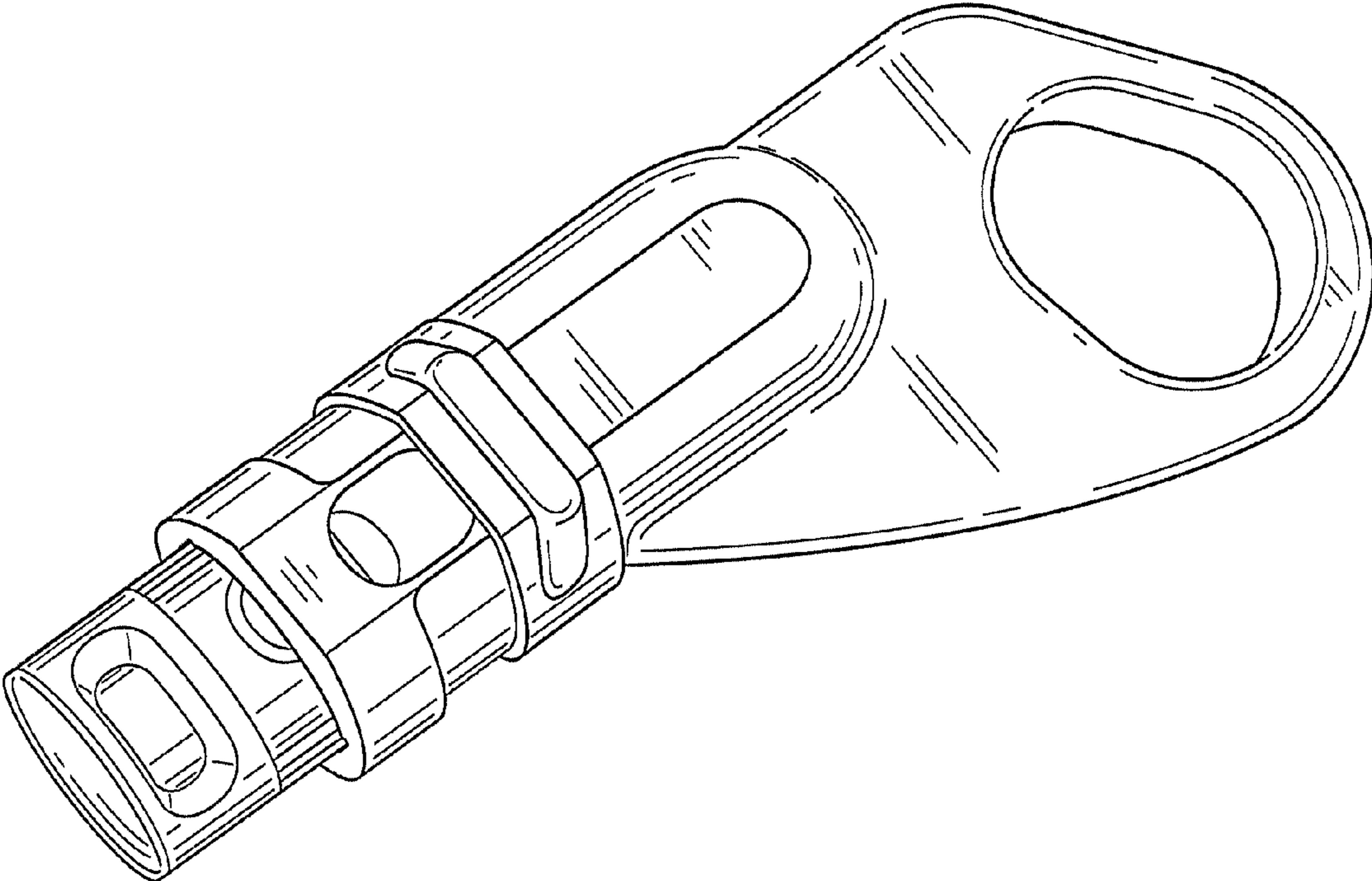


FIG. 1

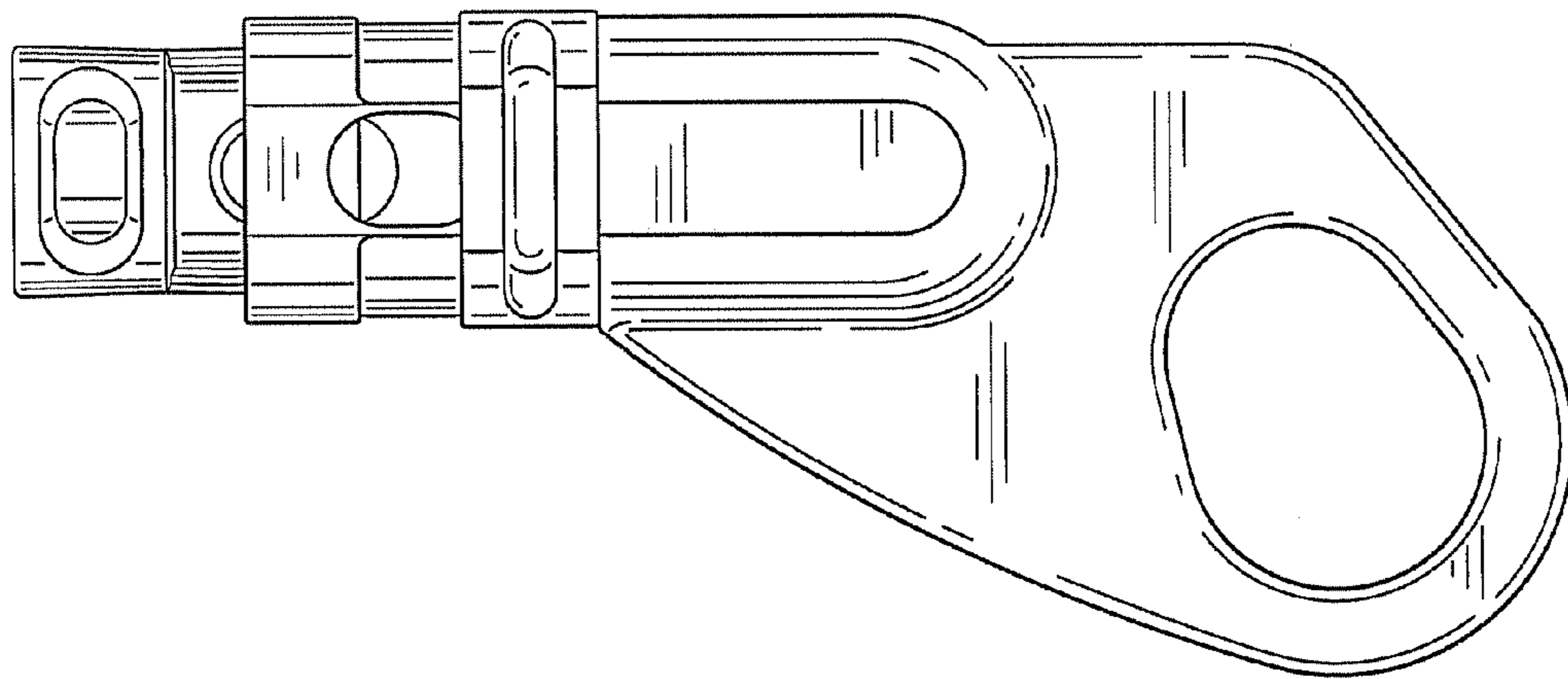


FIG. 2

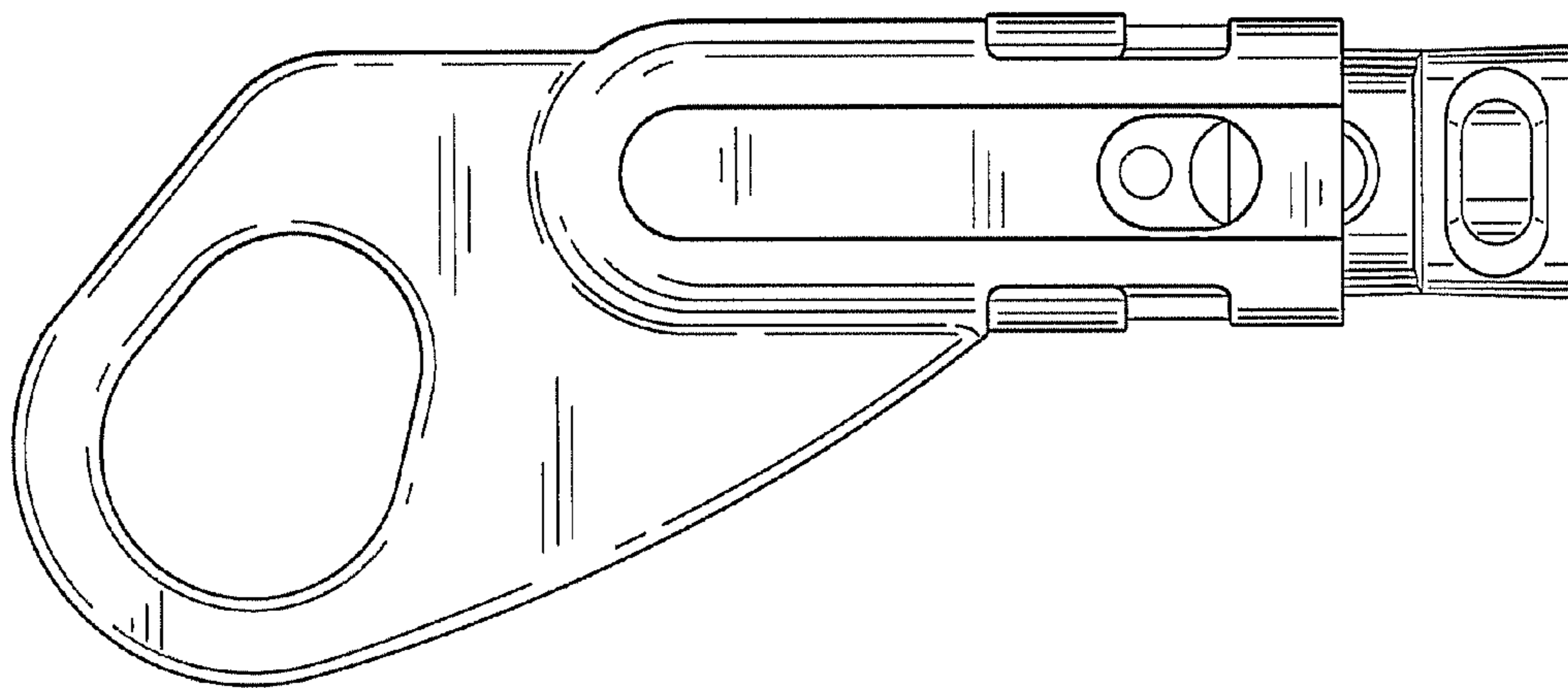


FIG. 3

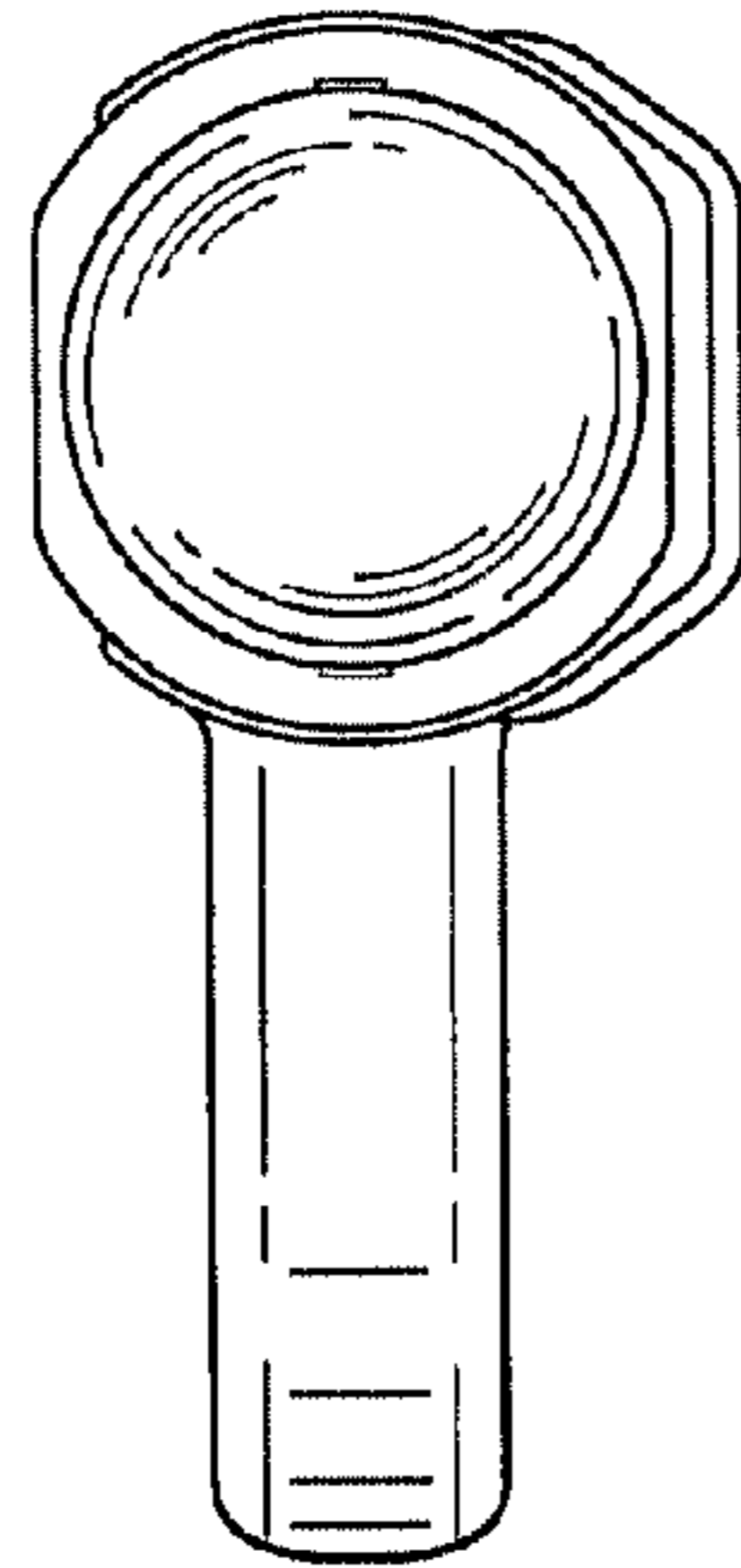


FIG. 4

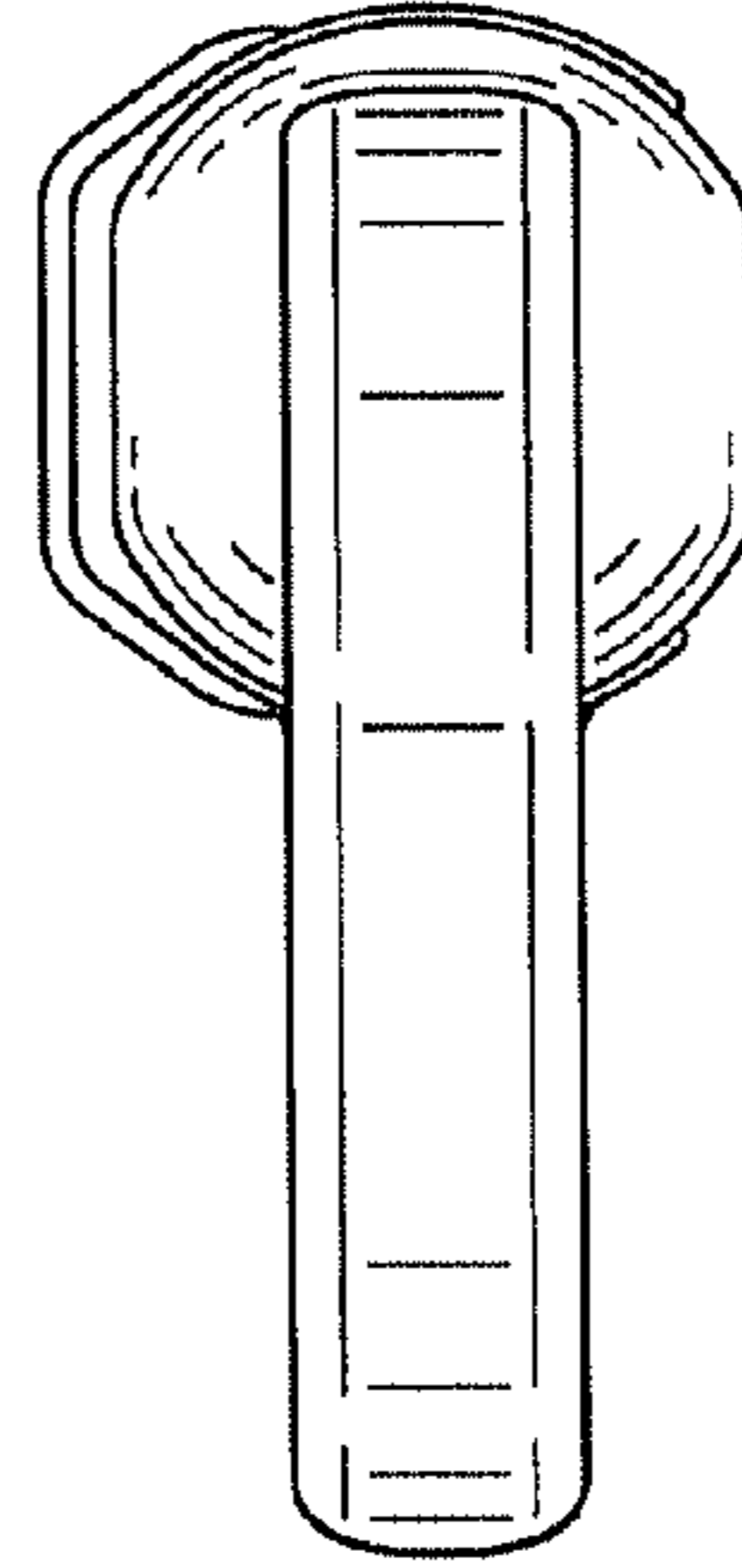


FIG. 5

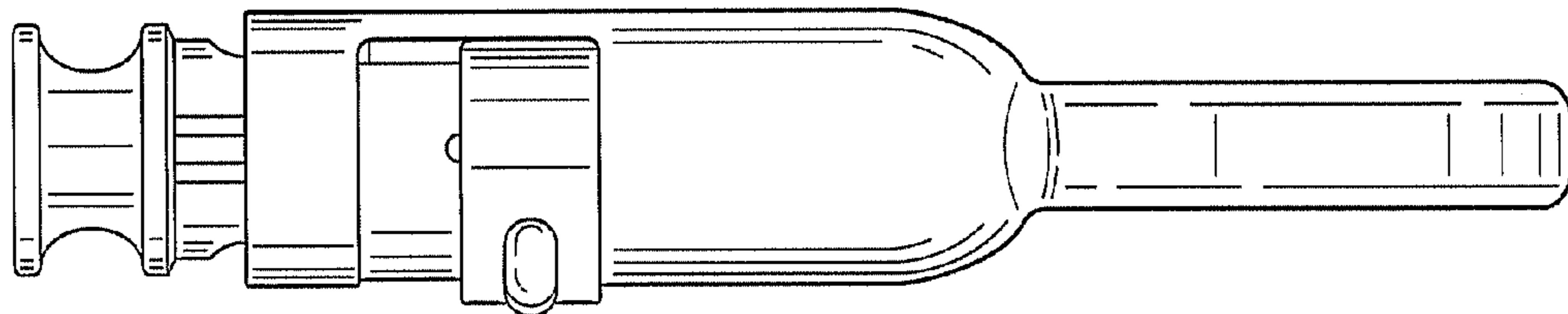


FIG. 6

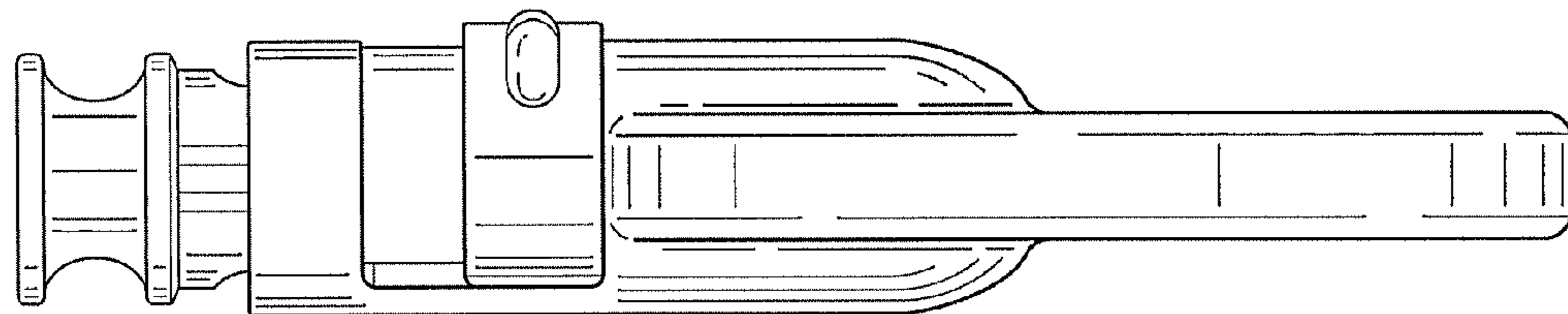


FIG. 7

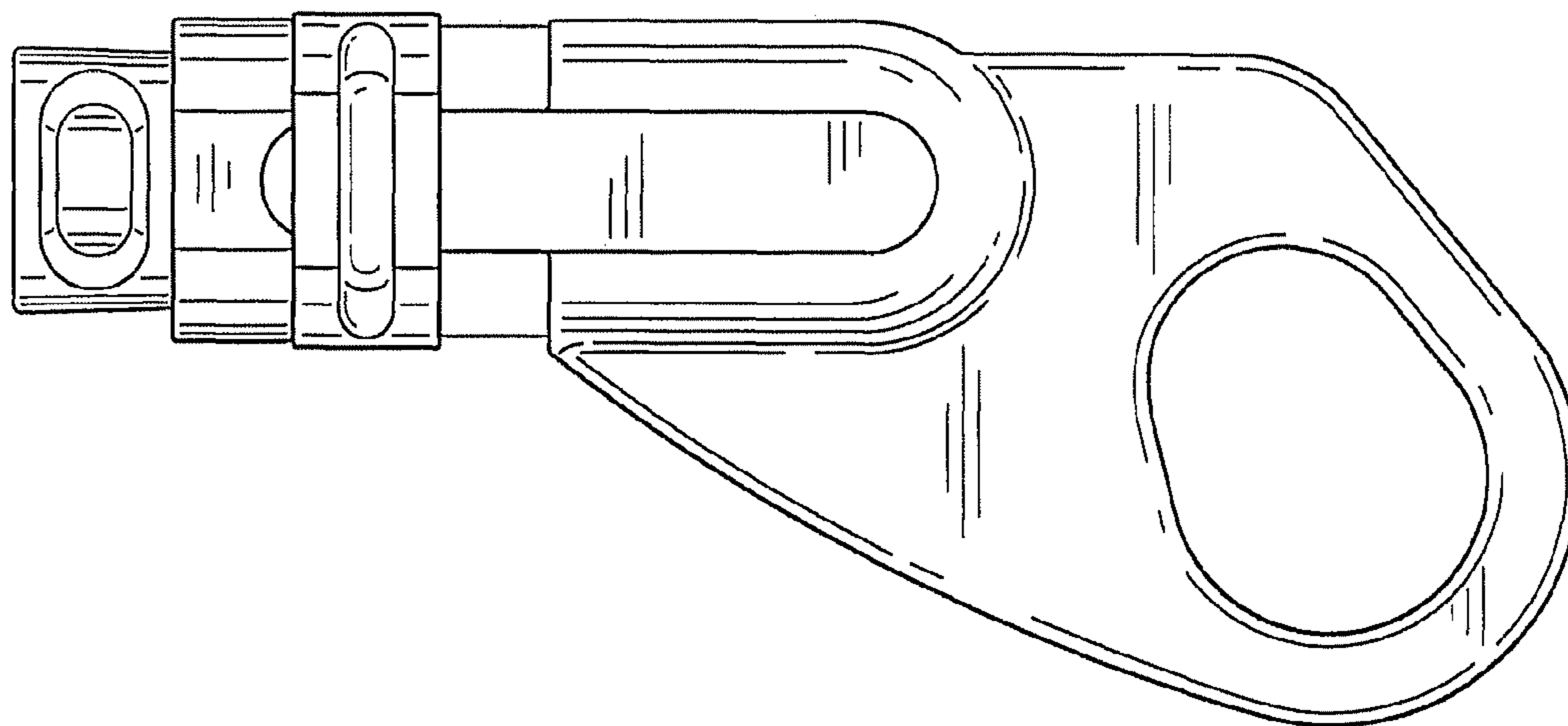


FIG. 8

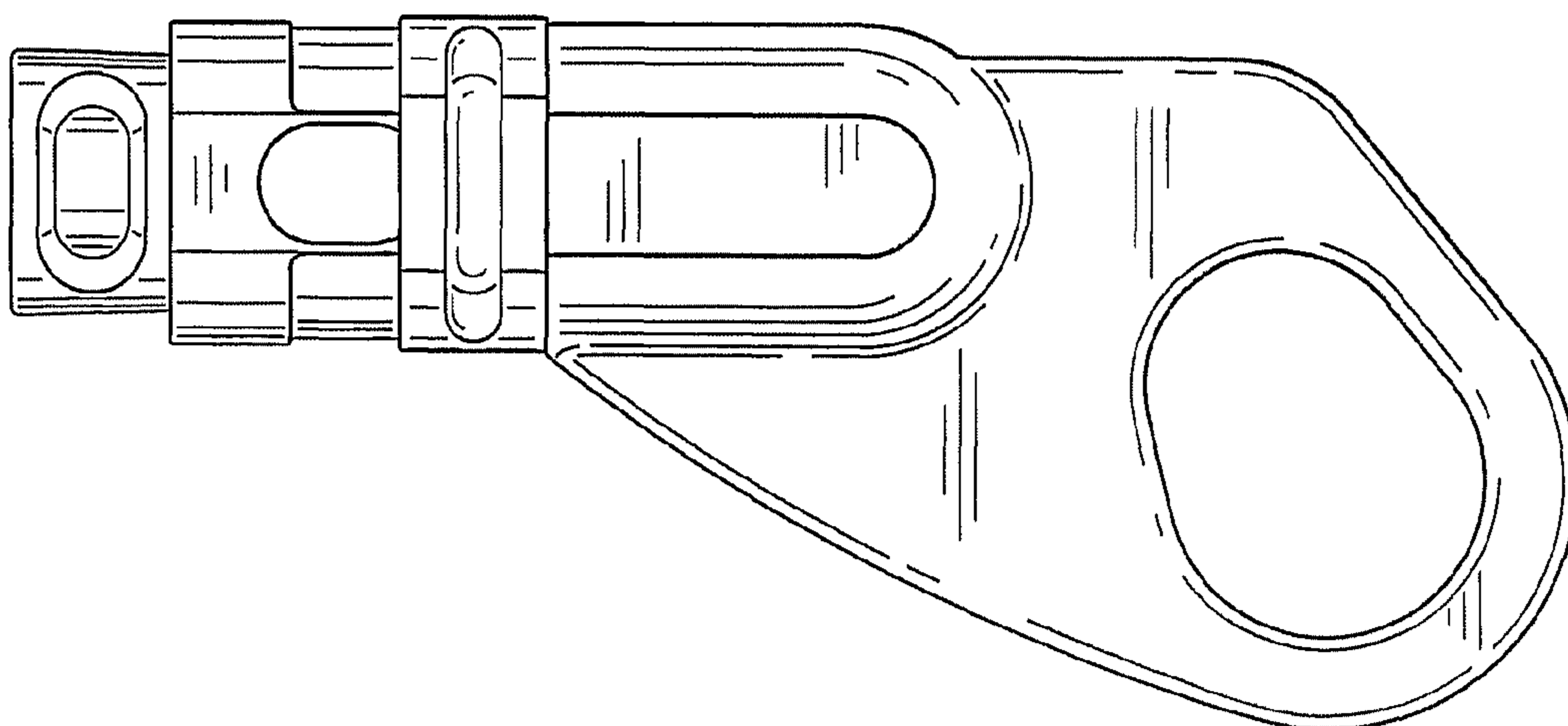


FIG. 9