



US00D688925S

(12) **United States Design Patent**
Seidel

(10) **Patent No.:** **US D688,925 S**

(45) **Date of Patent:** **** Sep. 3, 2013**

(54) **HYGIENIC TOOL FOR AVOIDING CONTACT WITH SURFACES**

(71) Applicant: **Jason L. Seidel**, Morganton, NC (US)

(72) Inventor: **Jason L. Seidel**, Morganton, NC (US)

(**) Term: **14 Years**

(21) Appl. No.: **29/439,633**

(22) Filed: **Dec. 13, 2012**

(51) **LOC (9) Cl.** **08-05**

(52) **U.S. Cl.**
USPC **D8/14; D8/19**

(58) **Field of Classification Search**
USPC D3/210, 211; D8/14, 16, 18, 19,
D8/38, 102, 103; 70/170; 81/3.4, 3.55, 3.57,
81/488

See application file for complete search history.

(56) **References Cited**

U.S. PATENT DOCUMENTS

1,676,649	A *	7/1928	Podel	81/3.57
3,954,030	A *	5/1976	Newton	81/3.55
D279,645	S *	7/1985	Makris	D8/38
D334,696	S *	4/1993	Makris	D8/38
D422,766	S *	4/2000	Whitman	D32/46

D422,858	S *	4/2000	Moore	D8/17
D433,899	S *	11/2000	Saffron et al.	D8/38
D451,774	S *	12/2001	Kelleghan	D8/38
D479,970	S *	9/2003	Hutchinson	D8/88
D496,240	S *	9/2004	Sandelius	D8/38
D589,589	S *	3/2009	McCloudry et al.	D22/149
D613,138	S *	4/2010	Salvino	D8/18

* cited by examiner

Primary Examiner — Philip S Hyder

Assistant Examiner — Roselynn Cody

(74) *Attorney, Agent, or Firm* — Thomas D. McClure, Jr.

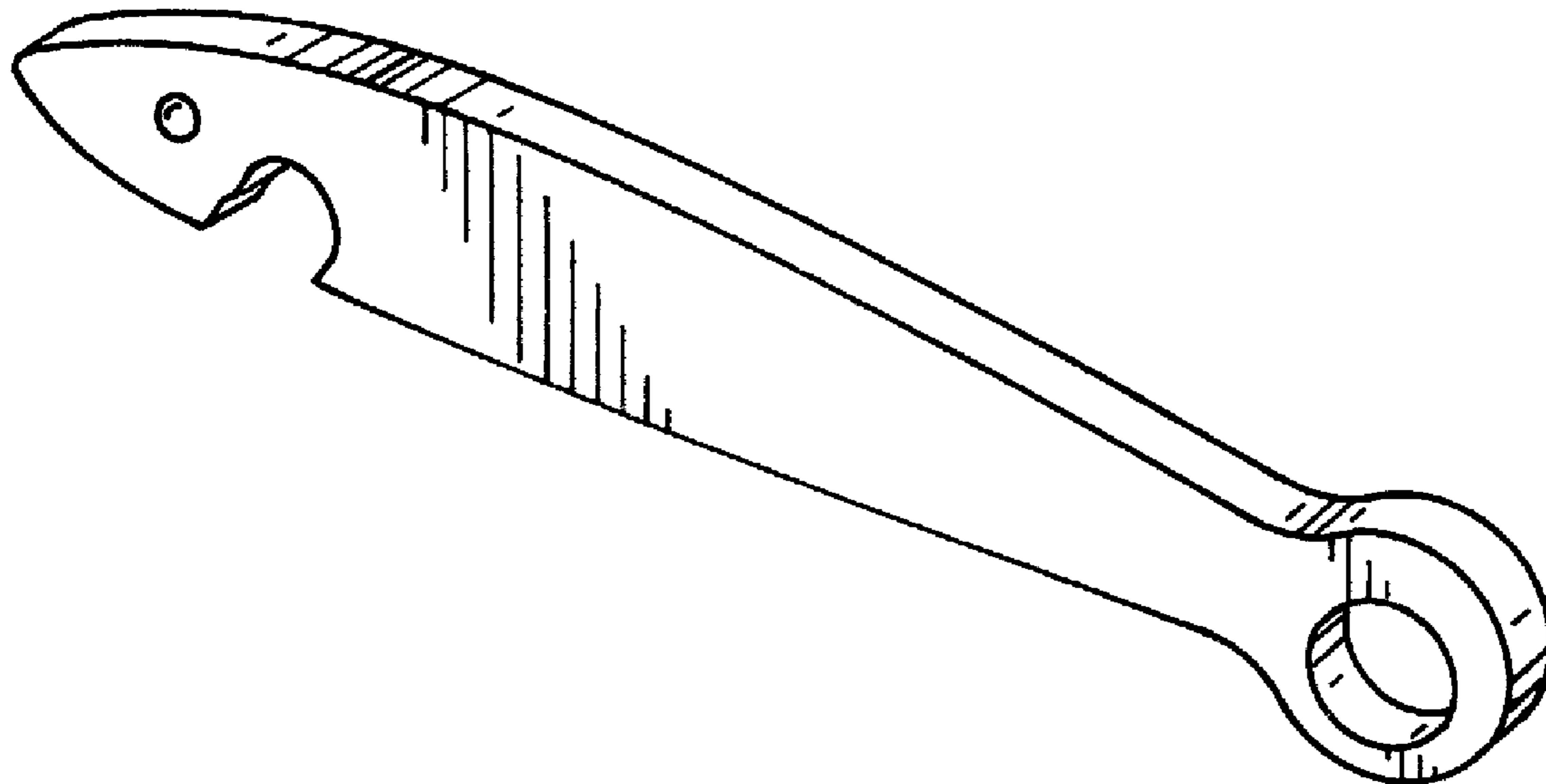
(57) **CLAIM**

The ornamental design for a hygienic tool for avoiding contact with surfaces, as shown and described.

DESCRIPTION

FIG. 1 is a perspective view of a hygienic tool for avoiding contact with surfaces;
FIG. 2 is a front elevation view of the hygienic tool of FIG. 1;
FIG. 3 is a left elevation view of the hygienic tool of FIG. 1;
FIG. 4 is a right elevation view of the hygienic tool of FIG. 1;
FIG. 5 is a plan view of the hygienic tool of FIG. 1;
FIG. 6 is a bottom view of the hygienic tool of FIG. 1; and,
FIG. 7 is a rear elevation view of the hygienic tool of FIG. 1.

1 Claim, 1 Drawing Sheet



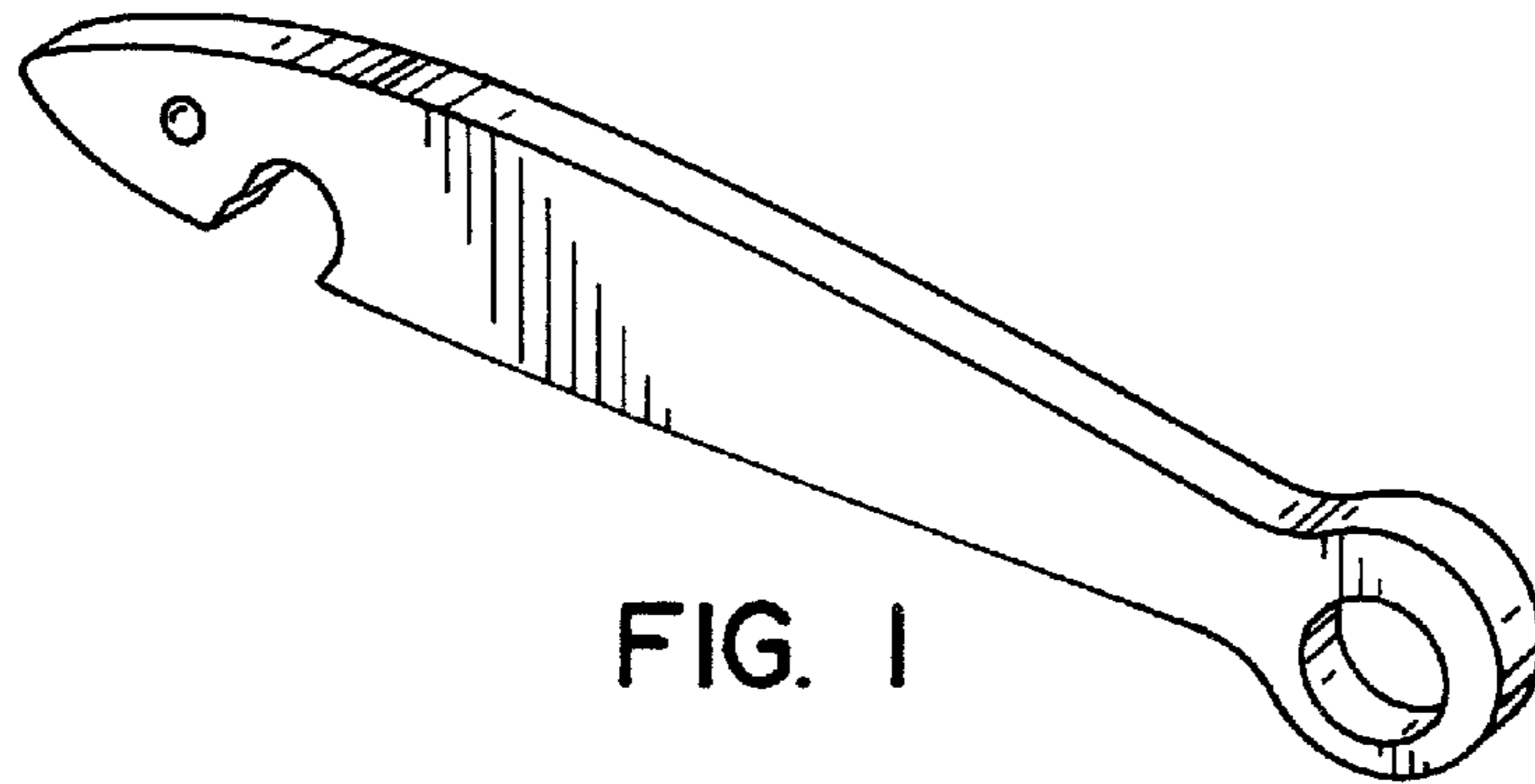


FIG. 1



FIG. 5



FIG. 3

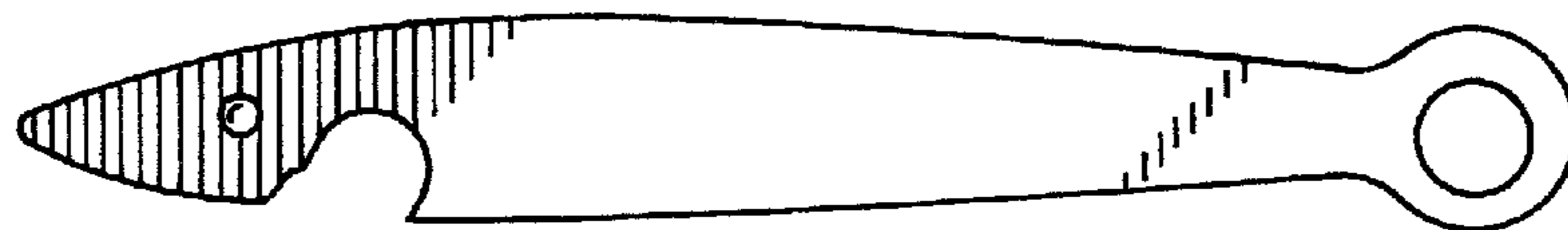


FIG. 2



FIG. 4



FIG. 6

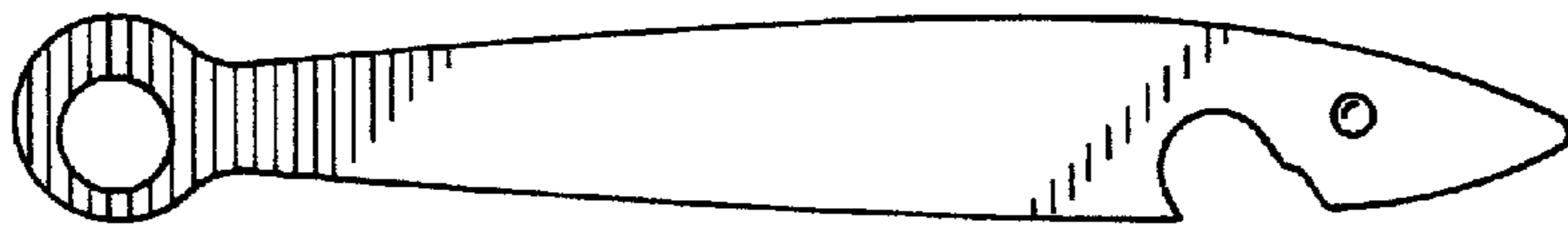


FIG. 7