



US00D688924S

(12) **United States Design Patent**  
**Enghard**

(10) **Patent No.:** **US D688,924 S**  
(45) **Date of Patent:** **\*\* Sep. 3, 2013**

(54) **FUNNEL**

(76) **Inventor:** **Florian Enghard**, Sulzbach (DE)

(\*\*) **Term:** **14 Years**

(21) **Appl. No.:** **29/412,914**

(22) **Filed:** **Feb. 9, 2012**

(30) **Foreign Application Priority Data**

Aug. 18, 2011 (DE) ..... 40 2011 004 040

(51) **LOC (9) Cl.** ..... **07-99**

(52) **U.S. Cl.**  
USPC ..... **D7/700**

(58) **Field of Classification Search**

USPC ..... D7/700, 354, 356, 357, 361, 368,  
D7/396.2, 667, 400, 409, 543, 523, 510, 512,  
D7/629, 668, 669, 691, 589, 412, 415;  
D30/129, 132, 162; D14/208; D24/122;  
D23/200; D9/436, 434, 503, 536; D10/46.2;  
D15/150, 152; 210/314, 456, 464, 470-478,  
210/497.1, 498, 499; 141/297-300, 331-345,  
141/95, 98, 199-205, 384, 386; 99/324,  
99/325, 339, 416, 415, 425, 426, 345, 495,  
99/490, 505-510; 220/86.2; 215/316, 321,  
215/329, 43; 294/179; 100/110, 113, 116,  
100/127, 213, 248

See application file for complete search history.

(56) **References Cited**

**U.S. PATENT DOCUMENTS**

42,684 A 5/1864 Otis  
1,196,784 A 9/1916 Jasper  
1,669,284 A \* 5/1928 Chetham ..... 210/470  
D118,723 S \* 1/1940 Martin ..... D7/700  
D143,458 S 1/1946 Zabel et al.  
2,410,010 A \* 10/1946 Brant ..... 210/314  
2,703,670 A 3/1955 Voight  
D196,275 S \* 9/1963 Neal et al. .... D9/436

3,211,195 A 10/1965 Porter  
3,490,290 A 1/1970 Bilson  
D274,208 S 6/1984 Hildenbrand  
4,487,695 A \* 12/1984 Connolly ..... 210/380.1  
4,642,190 A \* 2/1987 Zimmerman ..... 210/464  
D342,784 S \* 12/1993 Passiak et al. .... D24/123  
D412,448 S \* 8/1999 Bentson ..... D10/46.2  
5,979,516 A \* 11/1999 Grant ..... 141/331  
6,397,907 B1 6/2002 Heintz  
D474,111 S 5/2003 Lazaris  
6,736,285 B2 5/2004 Stewart-Stand  
D562,159 S 2/2008 Griffith et al.  
D580,799 S 11/2008 Curtin  
D593,383 S 6/2009 Pallotto et al.  
D633,266 S \* 2/2011 Tuan ..... D32/53  
D635,398 S 4/2011 Watabe  
D652,745 S 1/2012 Lee et al.  
D662,794 S \* 7/2012 Enghard ..... D7/700  
D664,003 S \* 7/2012 Nagoya ..... D7/512  
D671,379 S \* 11/2012 Lion et al. .... D7/700  
D675,482 S \* 2/2013 Heggestad et al. .... D7/512  
D677,151 S \* 3/2013 Magniet ..... D9/424

\* cited by examiner

*Primary Examiner* — Ian Simmons

*Assistant Examiner* — Shannon Weekley

(74) *Attorney, Agent, or Firm* — W. F. Fasse

(57) **CLAIM**

The ornamental design for a funnel, as shown and described.

**DESCRIPTION**

FIG. 1 is a top left front perspective view of a funnel showing my new design, of which a top right front perspective view is a mirror image;

FIG. 2 is a bottom right rear perspective view thereof, of which a bottom left rear perspective view is a mirror image;

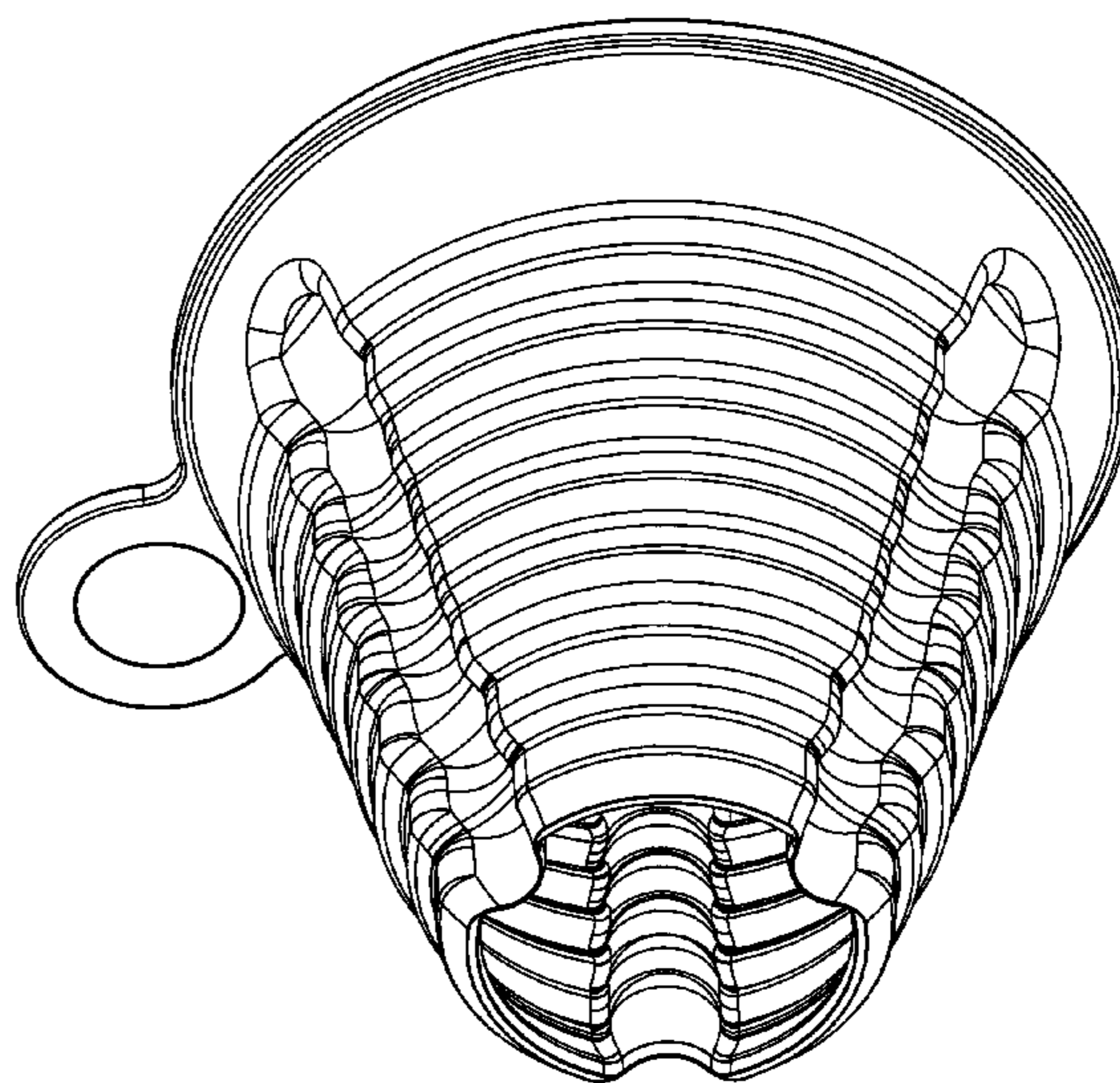
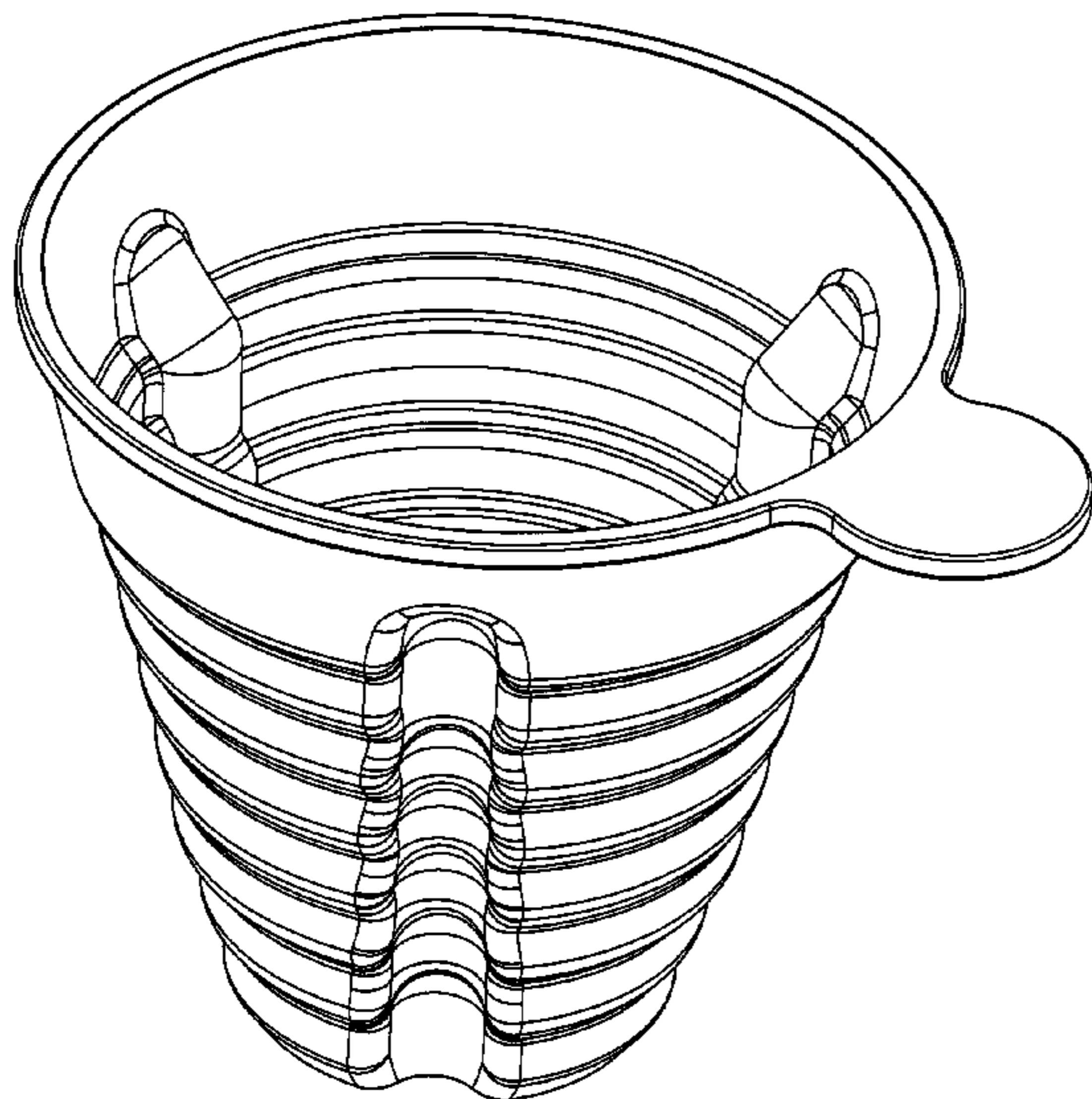
FIG. 3 is a top view thereof;

FIG. 4 is a rear sectional view thereof on the section plane 4-4 shown in FIG. 3;

FIG. 5 is a rear elevation view thereof; and,

FIG. 6 is a left sectional view thereof on the section plane 6-6 shown in FIG. 5.

**1 Claim, 6 Drawing Sheets**



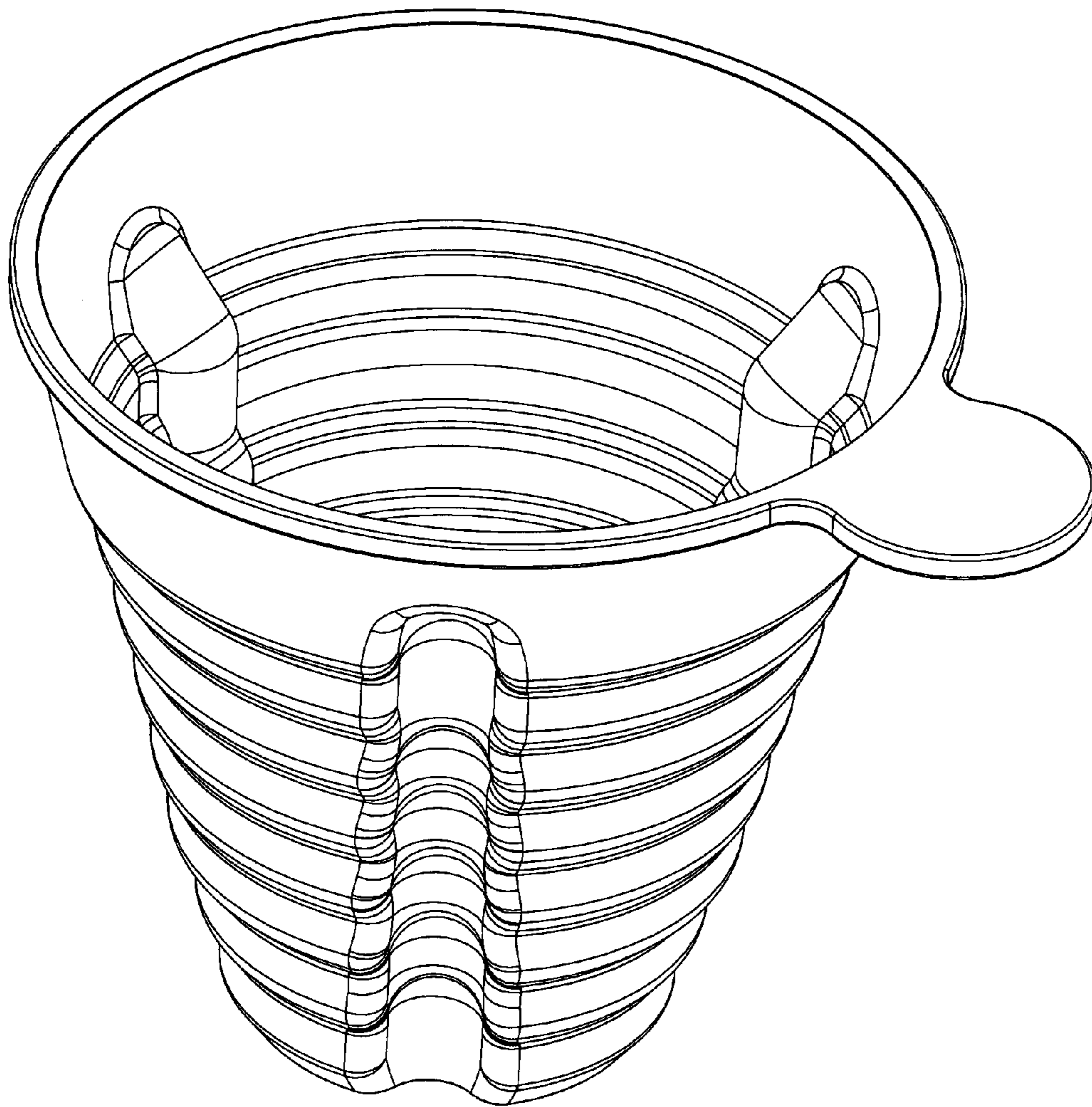


FIG. 1



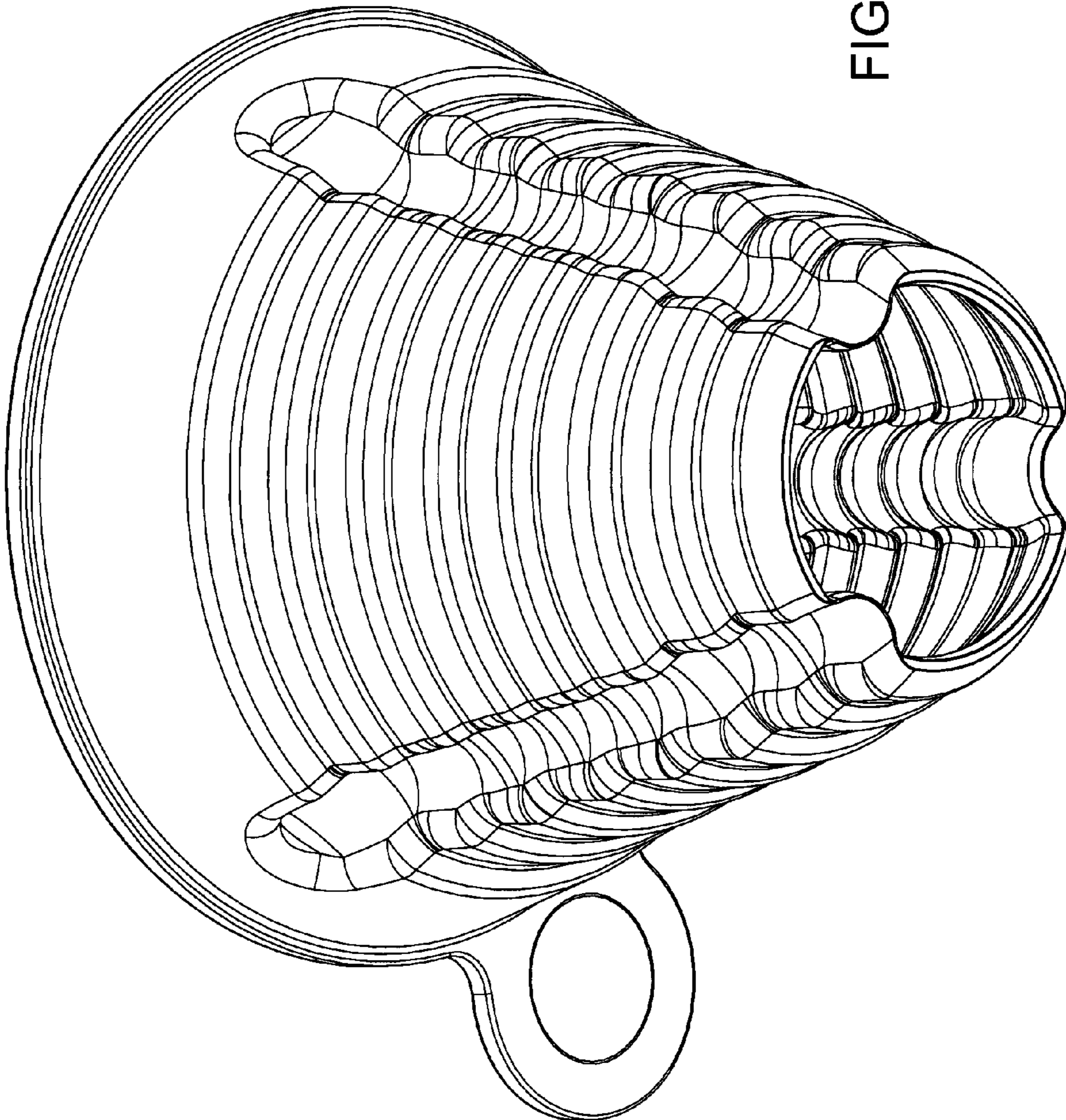


FIG. 2

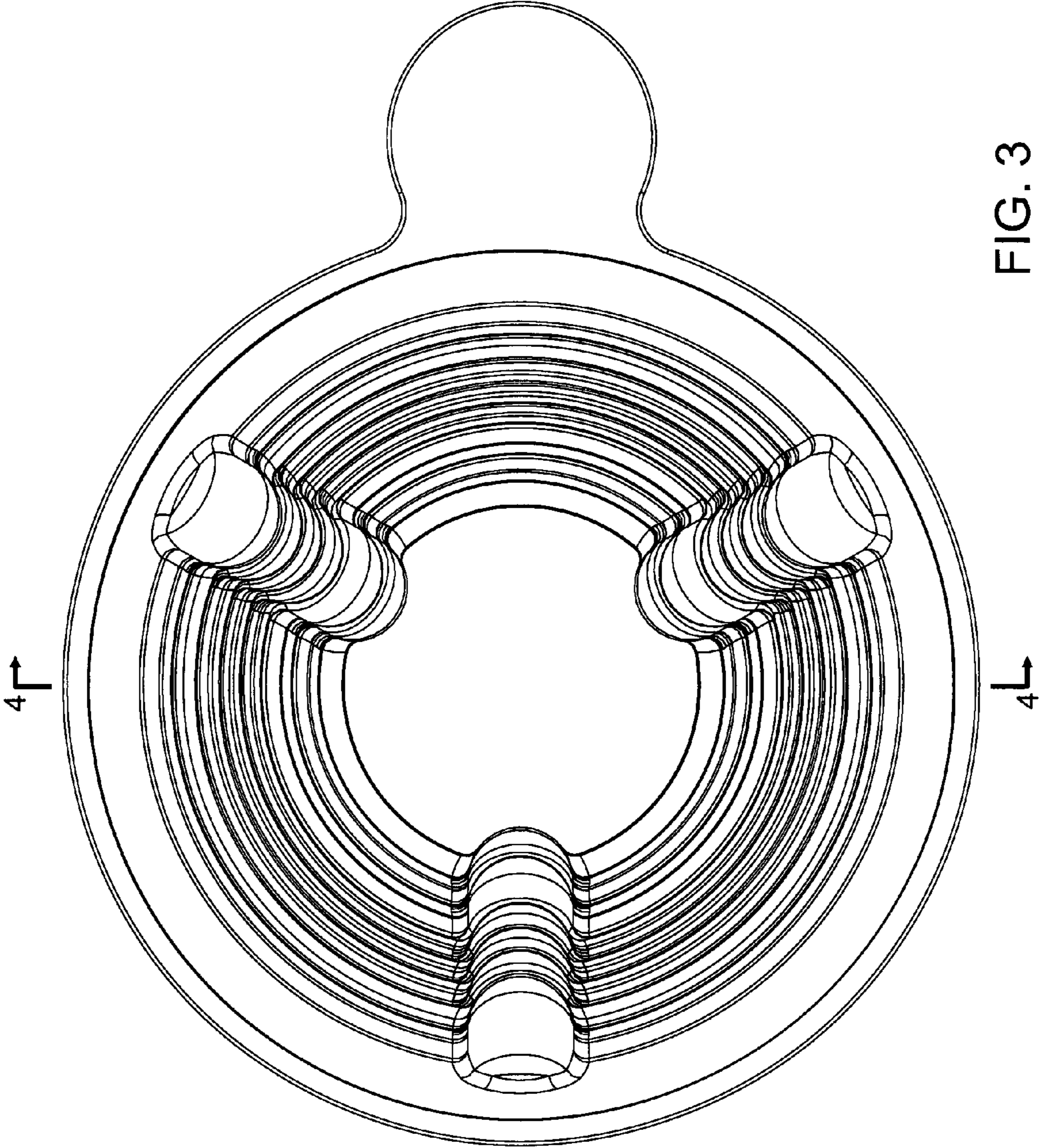


FIG. 3

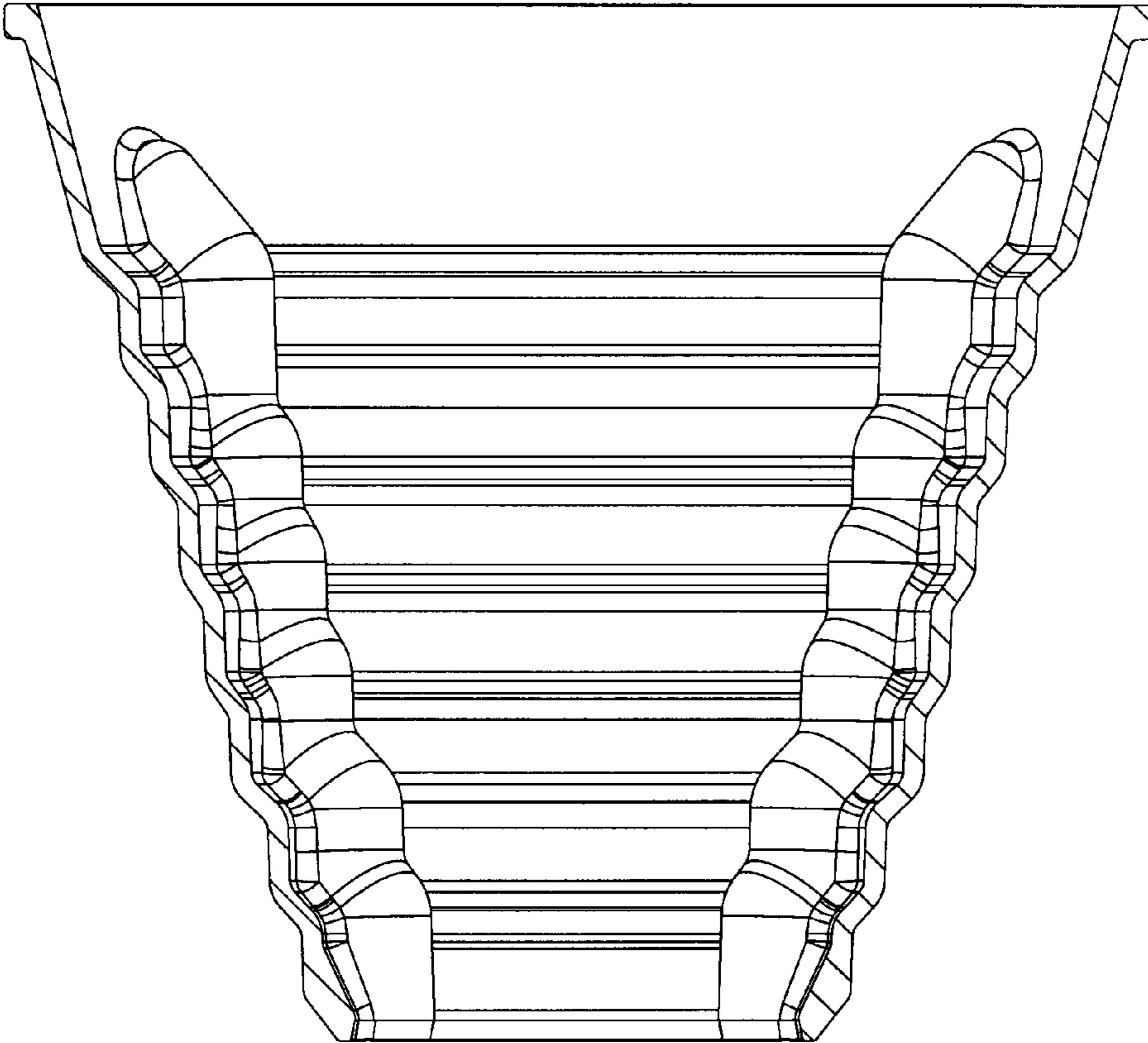


FIG. 4

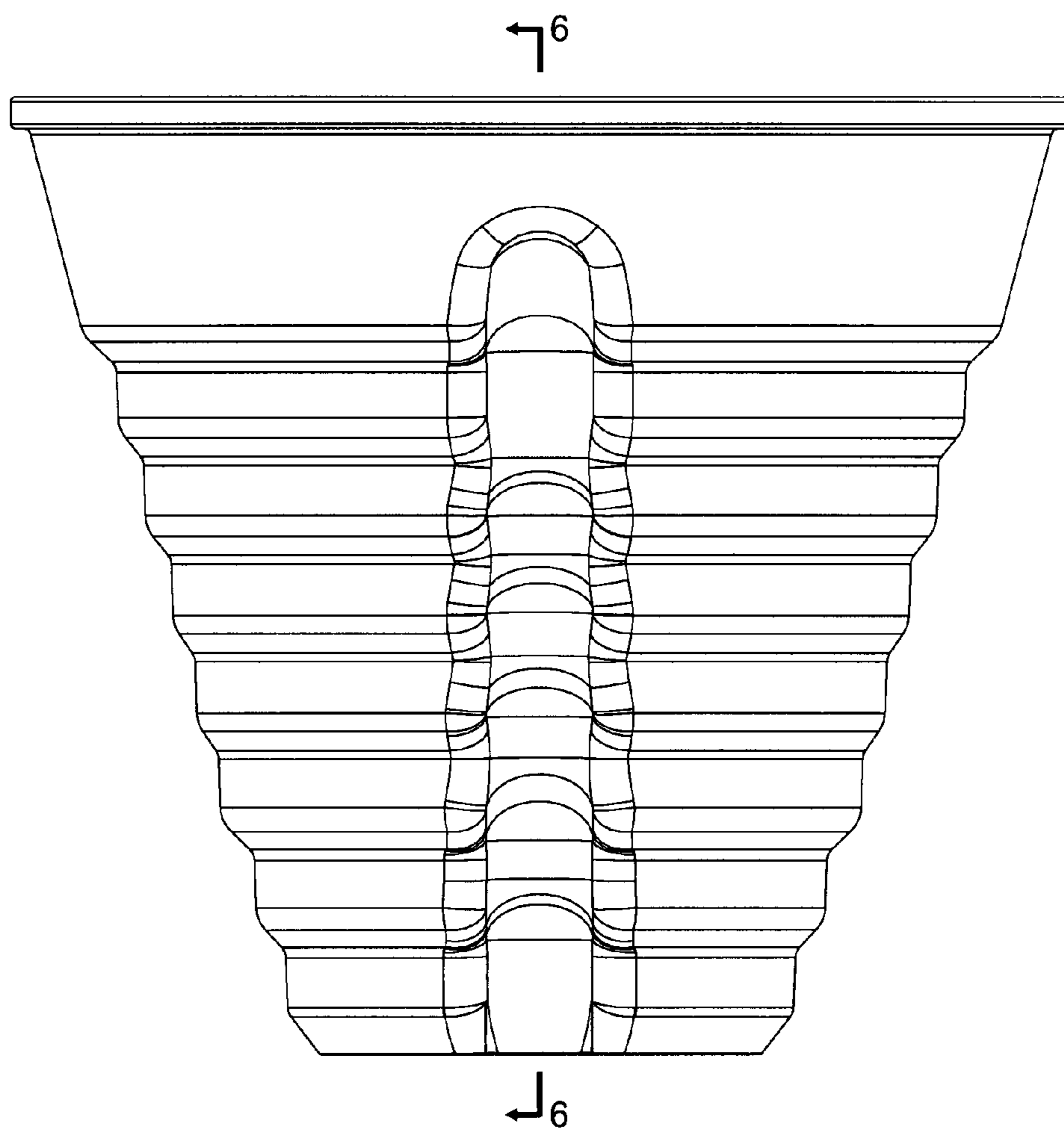


FIG. 5



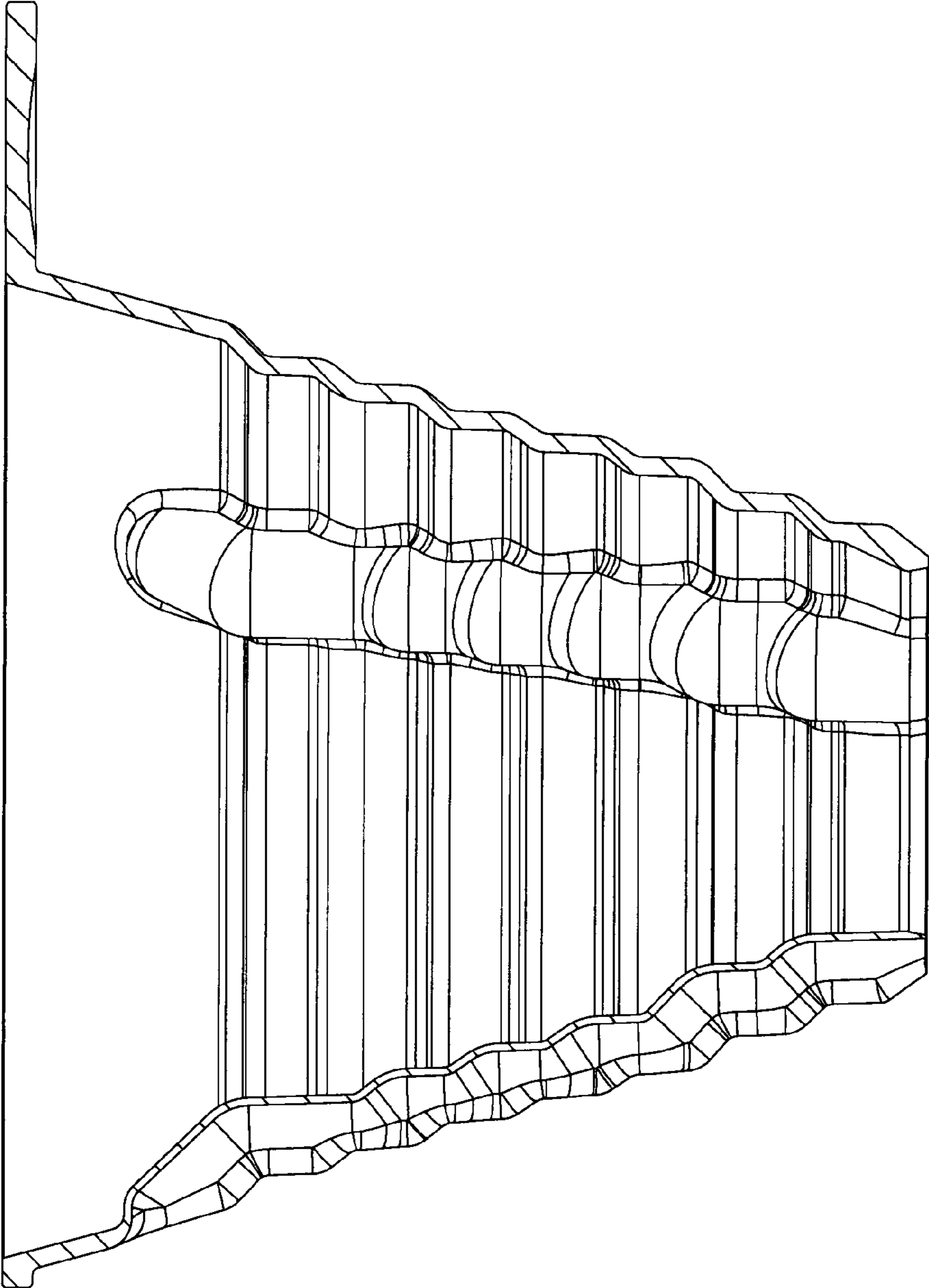


FIG. 6