



US00D688923S

(12) **United States Design Patent**  
**Evans et al.**

(10) **Patent No.:** **US D688,923 S**  
(45) **Date of Patent:** **\*\* Sep. 3, 2013**

(54) **NEST UTENSILS**

D443,186 S \* 6/2001 Kaposi ..... D7/692  
D493,679 S \* 8/2004 Metzger-Boehringer ..... D7/692  
D595,999 S \* 7/2009 Teinowitz ..... D7/688

(75) Inventors: **David Evans**, Cambridge (GB); **Ashley May**, Cambridge (GB)

\* cited by examiner

(73) Assignee: **Joseph Joseph Ltd.**, London (GB)

*Primary Examiner* — Terry Wallace

(\*\*) Term: **14 Years**

(74) *Attorney, Agent, or Firm* — Millen, White, Zelano & Branigan, P.C.

(21) Appl. No.: **29/416,341**

(57) **CLAIM**

The ornamental design for nest utensils, as shown and described.

(22) Filed: **Mar. 21, 2012**

**DESCRIPTION**

(30) **Foreign Application Priority Data**

Oct. 11, 2011 (EM) ..... 001930124-0008

FIG. 1 is a back view of the nest utensils showing my new design.

(51) **LOC (9) Cl.** ..... **07-04**

FIG. 2 is a bottom view of the nest utensils showing my new design.

(52) **U.S. Cl.**

USPC ..... **D7/669**; D7/688

FIG. 3 is a front perspective view of the nest utensils showing my new design.

(58) **Field of Classification Search**

USPC ..... D7/669, 368, 688, 691, 692, 601,  
D7/637; 294/7, 8; 30/322-328

FIG. 4 is a front view of the nest utensils showing my new design.

See application file for complete search history.

FIG. 5 is a rear view of the nest utensils showing my new design.

(56) **References Cited**

**U.S. PATENT DOCUMENTS**

D367,591 S \* 3/1996 Ancona ..... D7/692  
D438,070 S \* 2/2001 Kwok ..... D7/692

FIG. 6 is a left side view of the nest utensils showing my new design.

FIG. 7 is a right side view of the nest utensils showing my new design; and,

FIG. 8 is a top view of the nest utensils showing my new design.

**1 Claim, 8 Drawing Sheets**

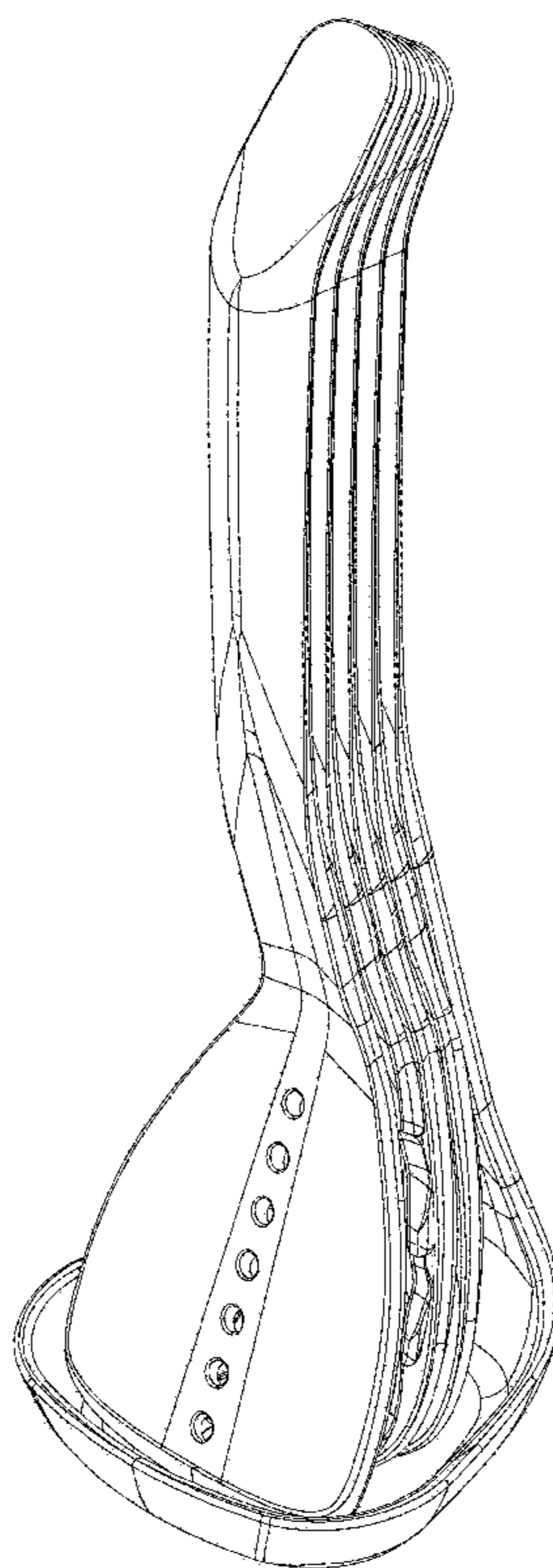


Fig. 1

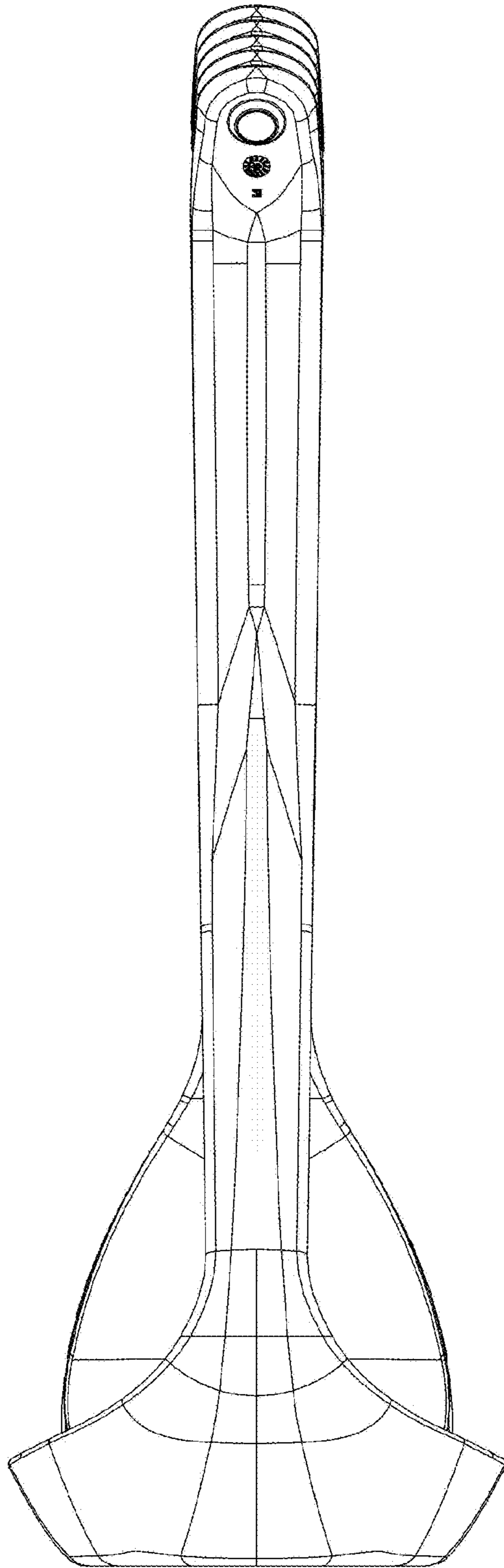


Fig. 2

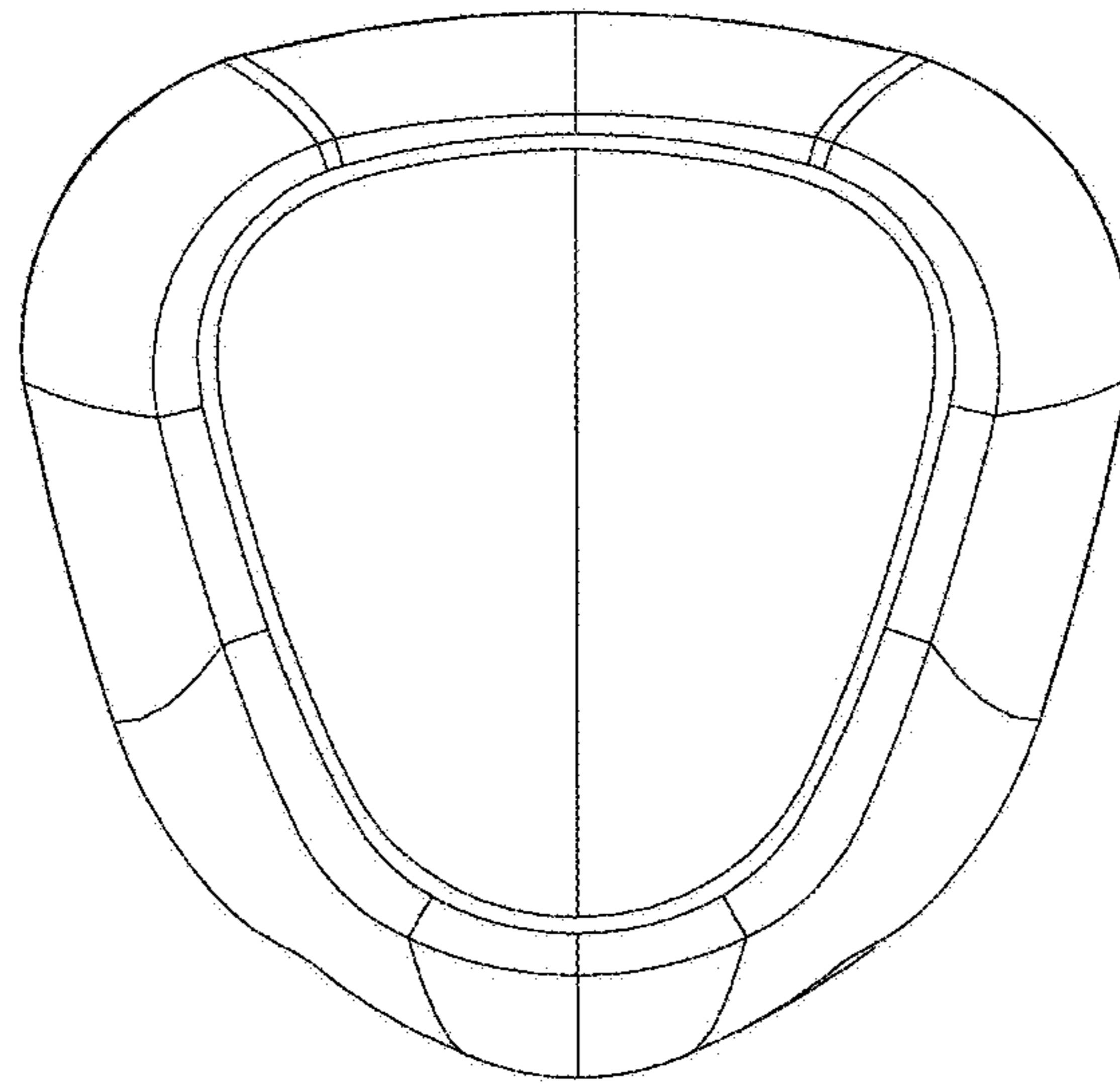


Fig. 3

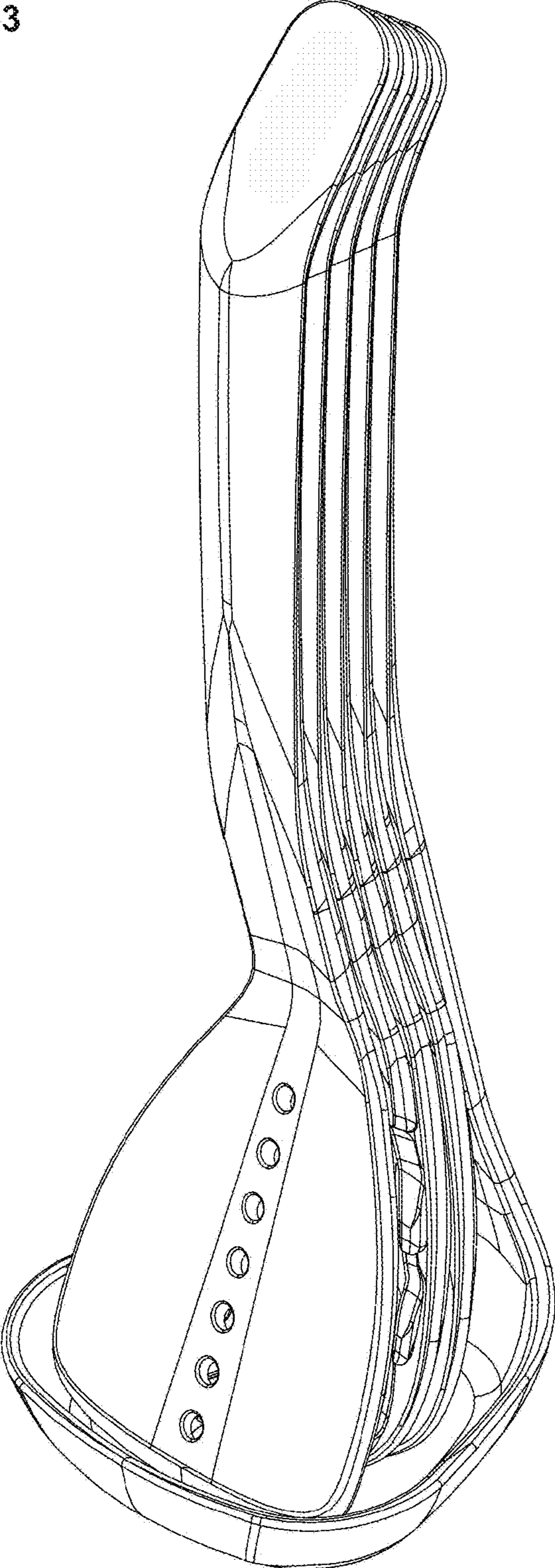


Fig. 4

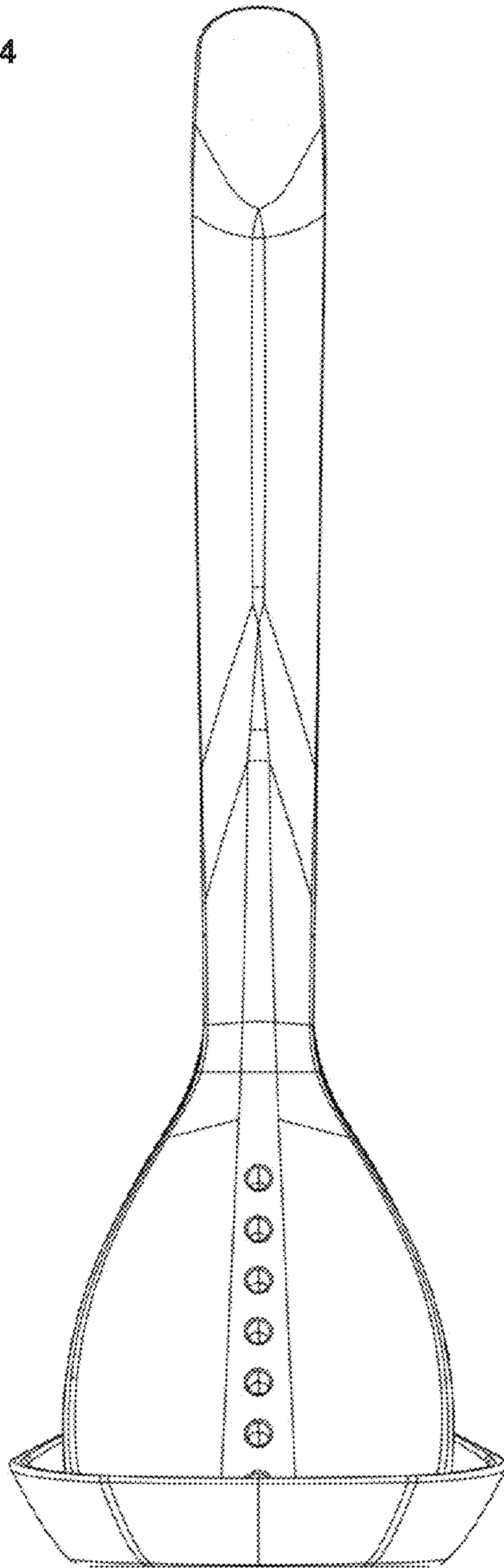


Fig. 5

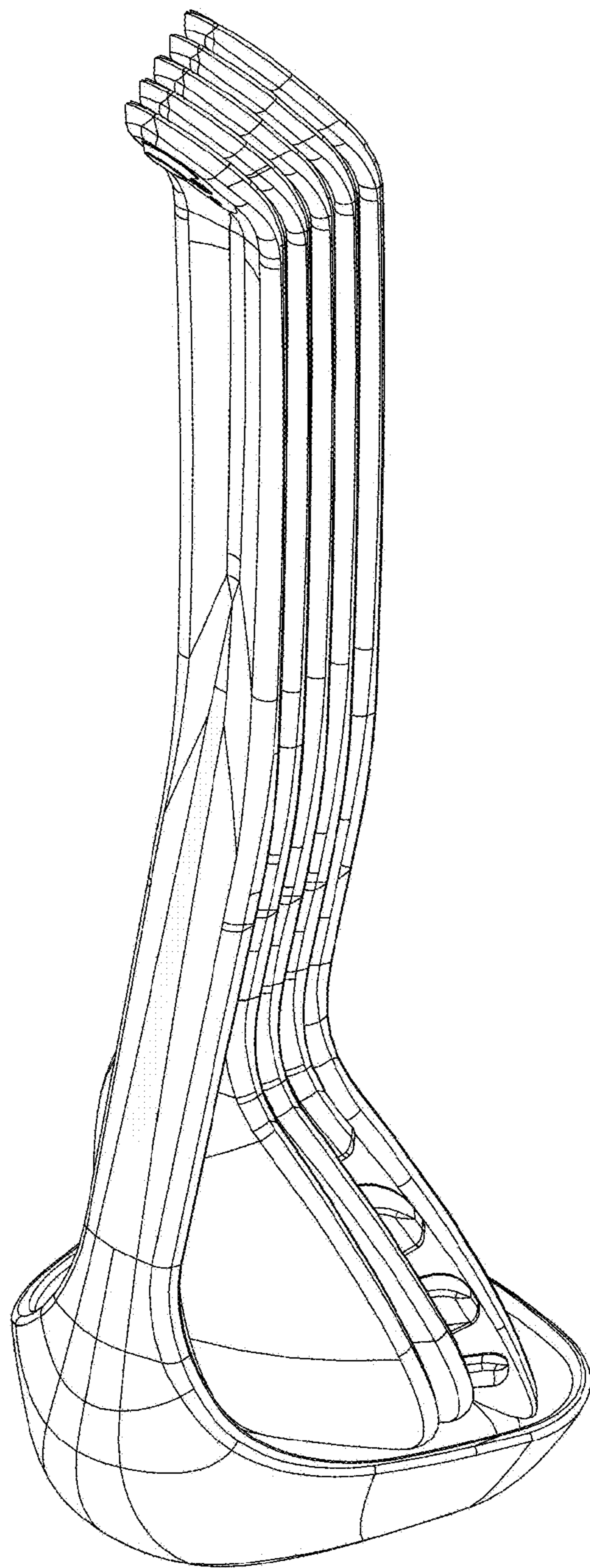


Fig. 6

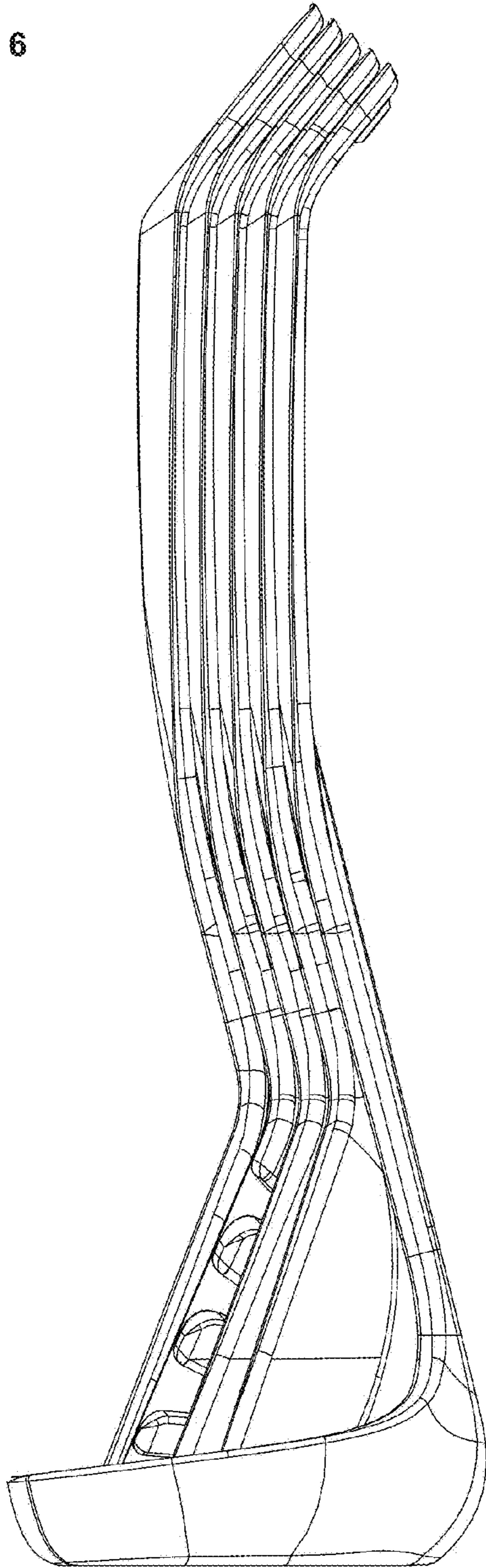


Fig. 7

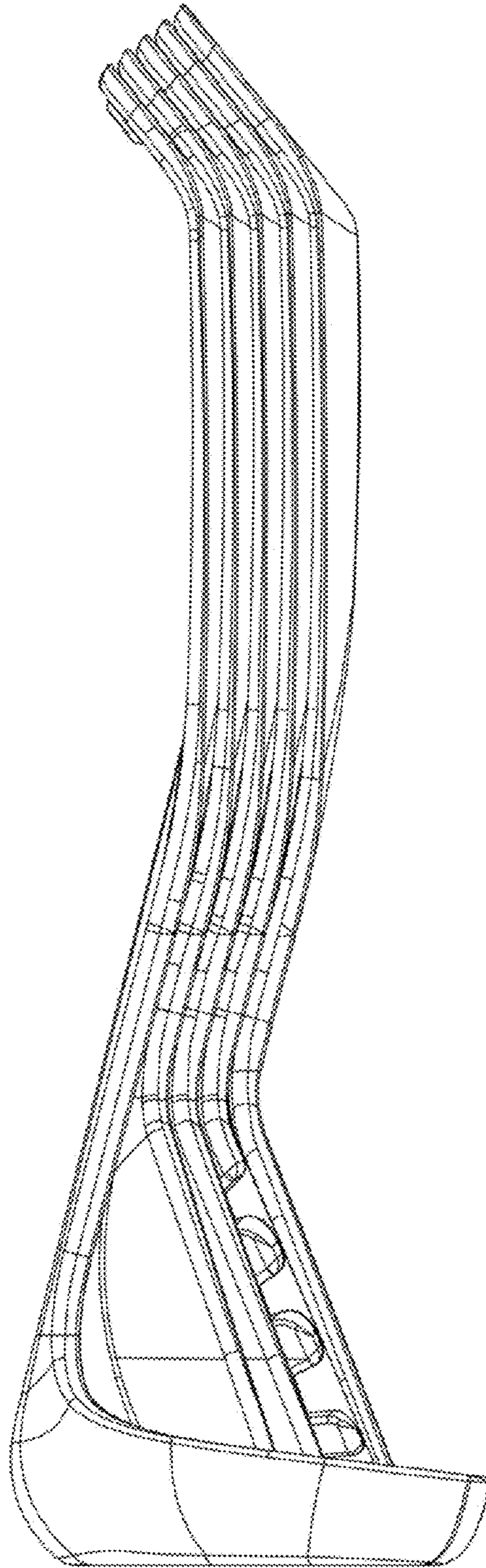




Fig. 8

