



US00D688920S

(12) **United States Design Patent**
Manley et al.

(10) **Patent No.:** **US D688,920 S**
(45) **Date of Patent:** **** Sep. 3, 2013**

(54) **LATCH CLOSABLE CONTAINER**

FOREIGN PATENT DOCUMENTS

(75) Inventors: **James Richard Manley**, Auckland
(NZ); **Brendan Jon Lindsay**, Auckland
(NZ)

GB 2345281 A 7/2000
NZ 414220 11/2010
NZ 414379 7/2011

(73) Assignee: **Sistema Plastics Limited**, Auckland
(NZ)

Primary Examiner — Terry Wallace

(74) *Attorney, Agent, or Firm* — McCarter & English, LLP

(**) Term: **14 Years**

(57) **CLAIM**

The ornamental design for a latch closable container, as shown and described.

(21) Appl. No.: **29/422,359**

(22) Filed: **May 18, 2012**

(51) **LOC (9) Cl.** **07-07**

(52) **U.S. Cl.**
USPC **D7/629**

(58) **Field of Classification Search**
USPC D7/629, 602, 601, 538–542, 612–615;
220/780–806, 574–575, 675, 573.1, 660,
220/260, 288, 326, 236, 4.21, 4.24, 4.27,
220/669–673, 23.83, 23.4

See application file for complete search history.

DESCRIPTION

FIG. 1 is a top perspective view of a latch closable container; FIG. 2 is a front view of the latch closable container of FIG. 1; FIG. 3 is a right side view of the latch closable container of FIG. 1; FIG. 4 is a back view of the latch closable container of FIG. 1; FIG. 5 is a plan view of the latch closable container of FIG. 1; FIG. 6 is a left side view of the latch closable container of FIG. 1; FIG. 7 is a bottom view of the latch closable container of FIG. 1; FIG. 8 is a plan view of the latch closable container of FIG. 1 when opened and with a tray inserted therein; FIG. 9 is a top perspective view of the latch closable container of FIG. 1 when opened and with a tray inserted therein; FIG. 10 is a bottom view of the latch closable container of FIG. 1 when opened; FIG. 11 is a top perspective view of the latch closable container of FIG. 1 when opened and with the tray removed; and, FIG. 12 is a second top perspective view of the latch closable container FIG. 1 when opened and with the tray removed.

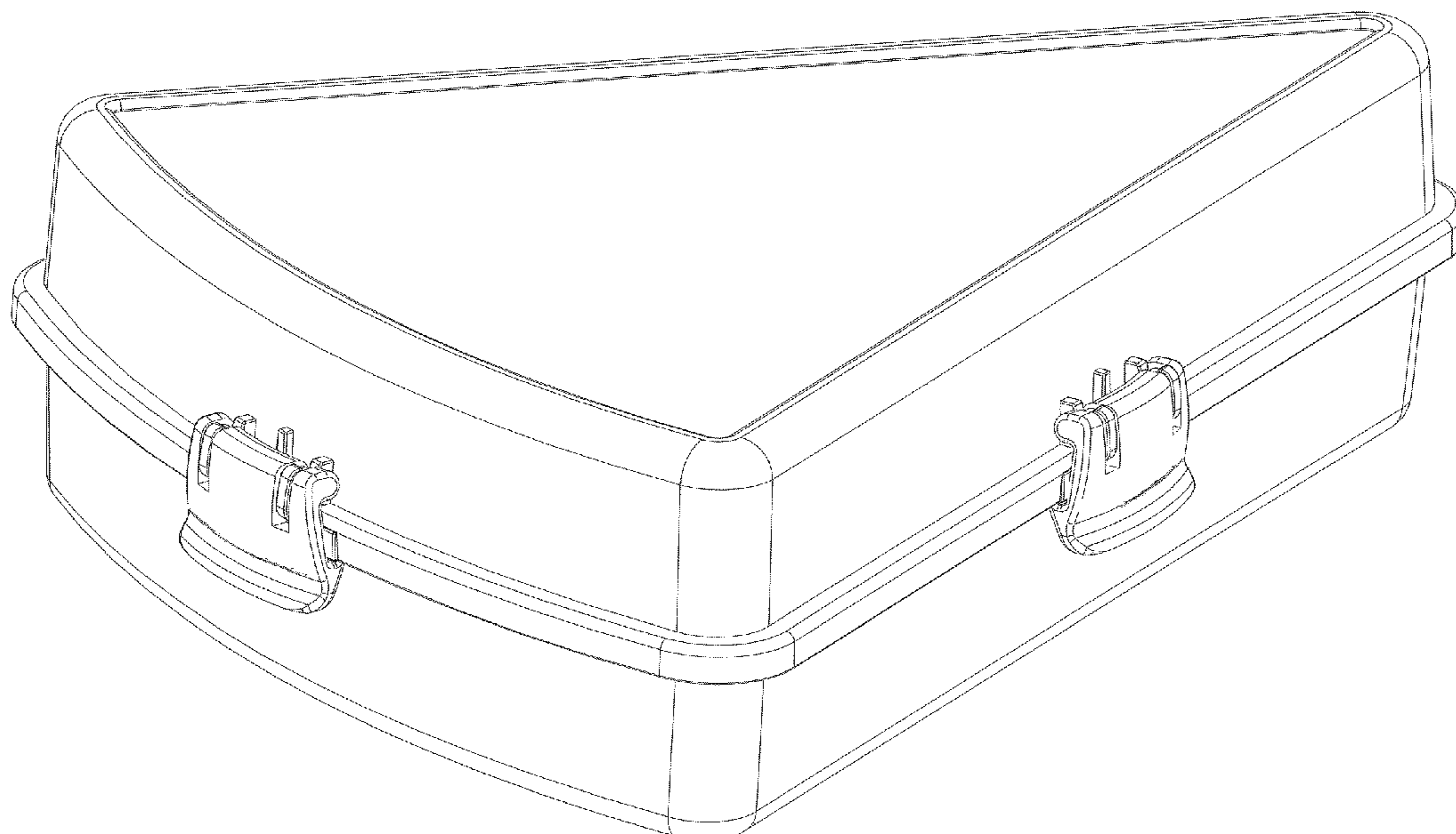
(56) **References Cited**

U.S. PATENT DOCUMENTS

2,388,442 A 11/1945 Reyburn
2,452,969 A 11/1948 Victor
2,506,256 A 5/1950 Waldo
2,525,337 A 10/1950 Brooks et al.
2,789,608 A * 4/1957 Tupper 220/792
3,620,411 A * 11/1971 Rump 220/377
4,373,636 A * 2/1983 Hoffman 206/551
4,784,273 A * 11/1988 Niemetz 206/551
4,811,846 A 3/1989 Bottega
4,886,179 A 12/1989 Volk
4,990,345 A * 2/1991 Webb 220/522
5,076,437 A 12/1991 Schindler

(Continued)

1 Claim, 12 Drawing Sheets



(56)

References Cited

U.S. PATENT DOCUMENTS

D336,589 S * 6/1993 Schindler D7/539
D391,808 S * 3/1998 Voege D7/629
5,788,145 A 8/1998 Grahahm et al.
D418,371 S * 1/2000 Whitehead D7/538
D439,161 S * 3/2001 Rondolino D9/430
D455,318 S * 4/2002 Miller D7/602

D455,614 S * 4/2002 Miller D7/629
6,629,607 B1 10/2003 Gibson
D507,453 S * 7/2005 Mills D7/359
D530,197 S * 10/2006 LaMasney D9/420
D535,530 S * 1/2007 Clement D7/629
D587,973 S * 3/2009 Romano D7/629
D604,118 S * 11/2009 Braidotti D7/628
2005/0035125 A1 * 2/2005 Bae 220/326

* cited by examiner

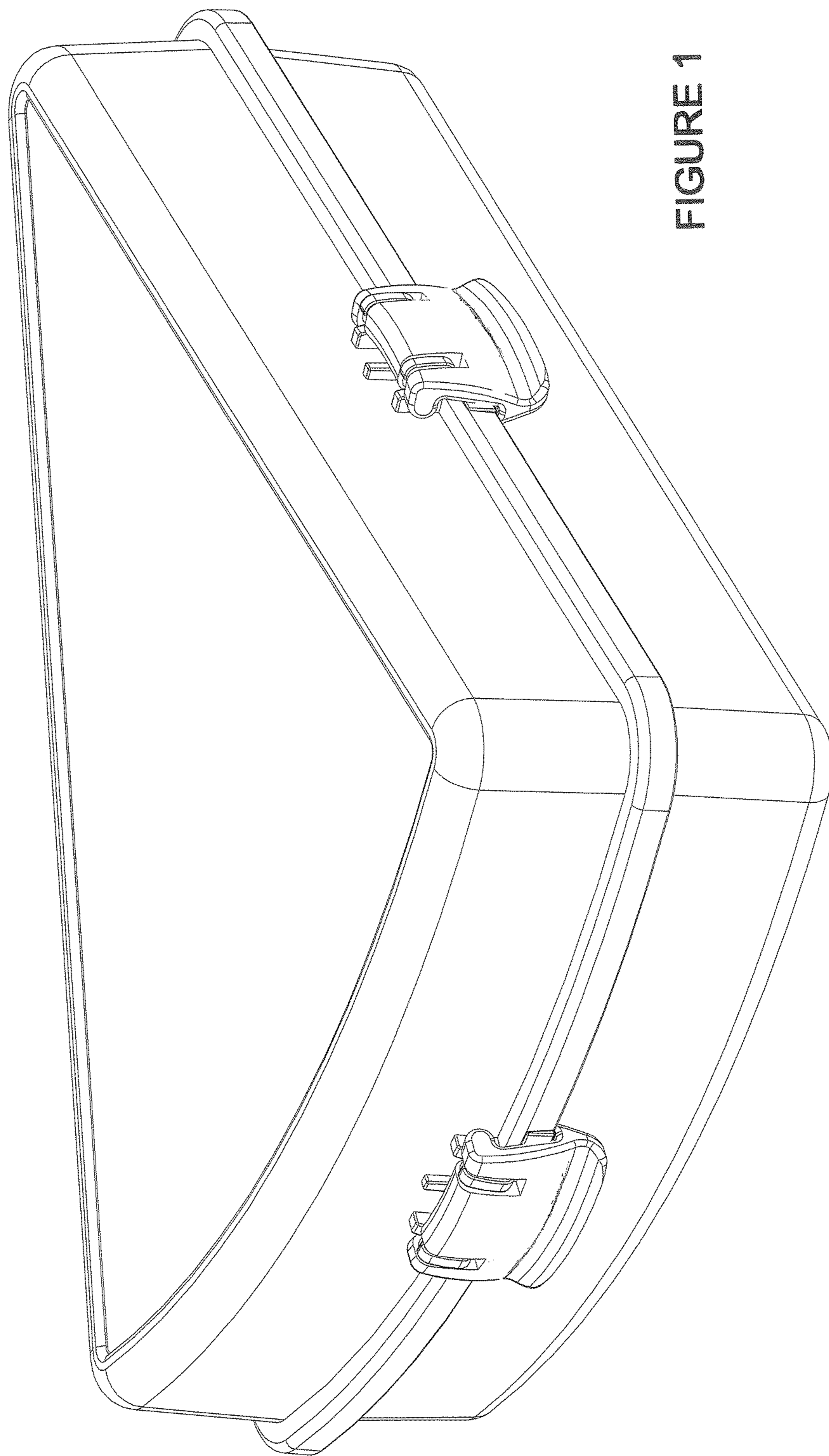


FIGURE 1

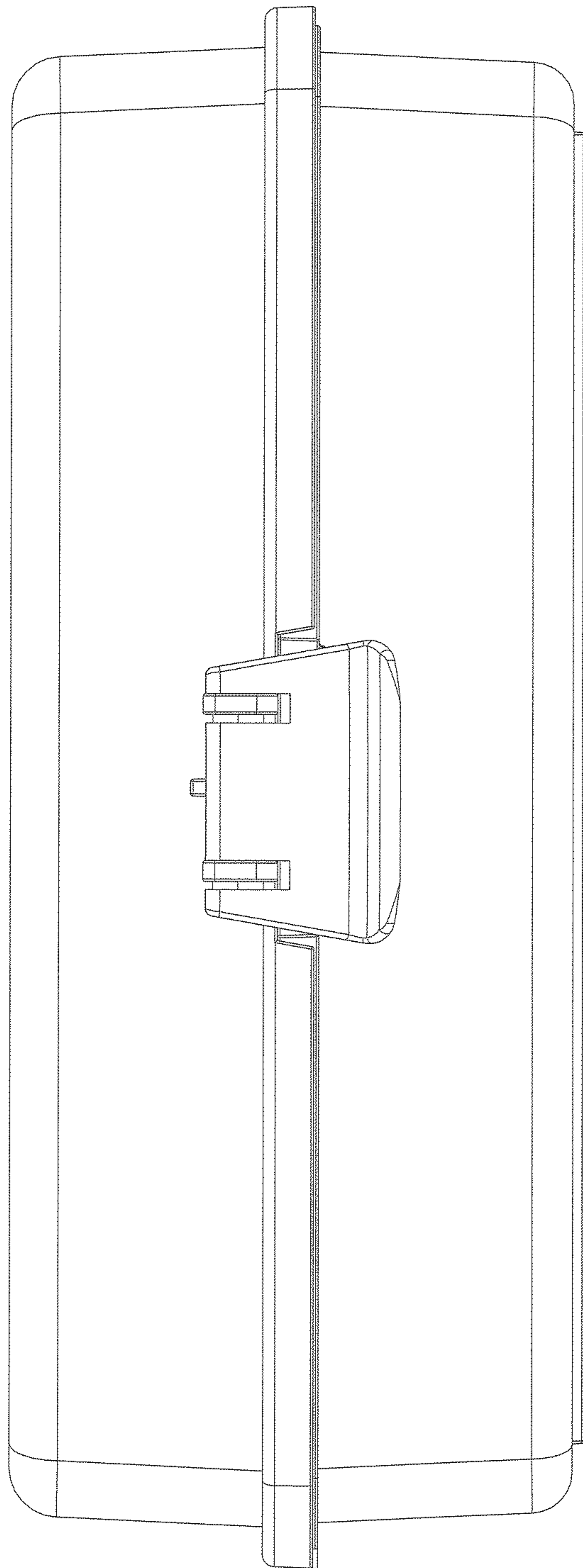


FIGURE 2

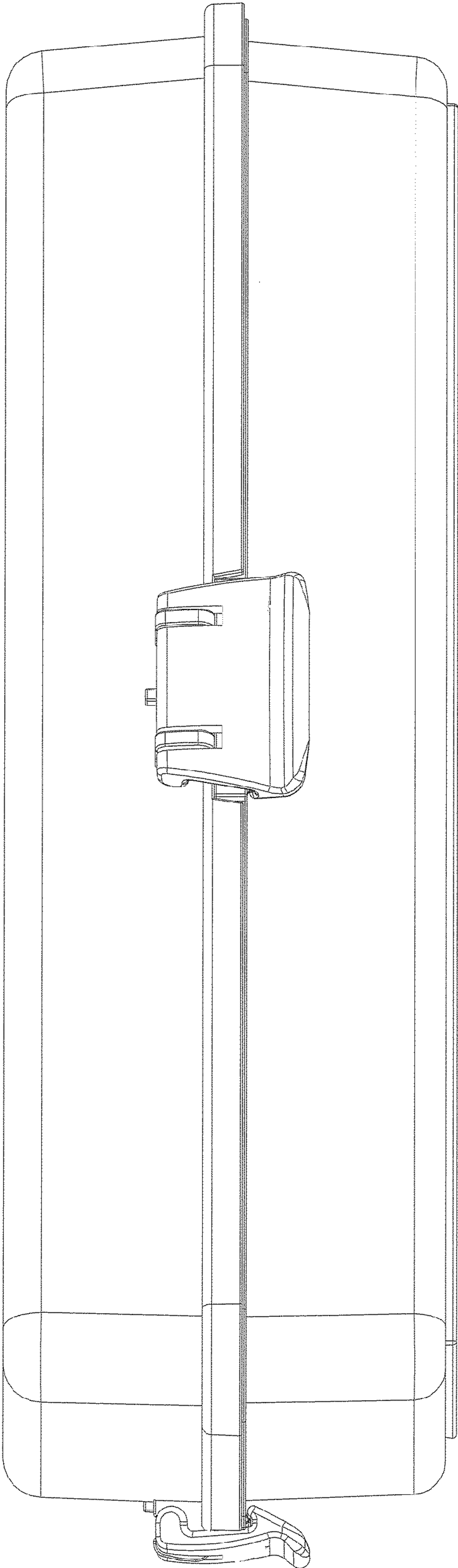


FIGURE 3

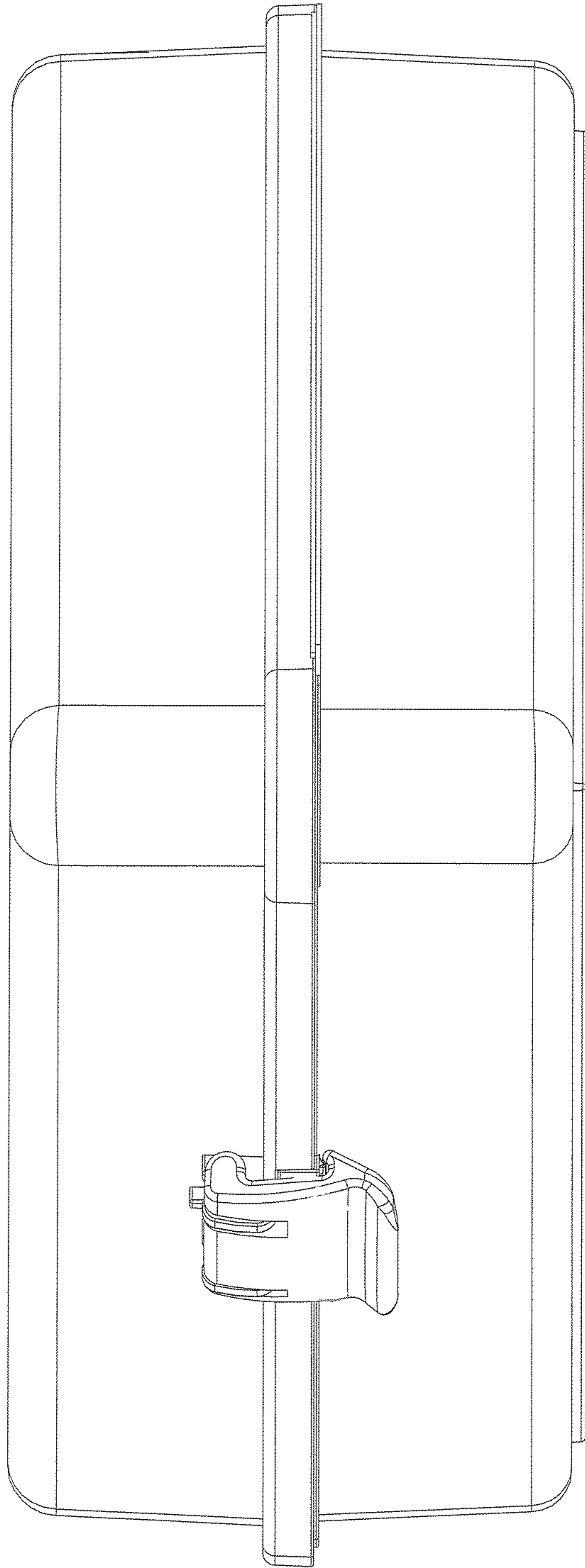
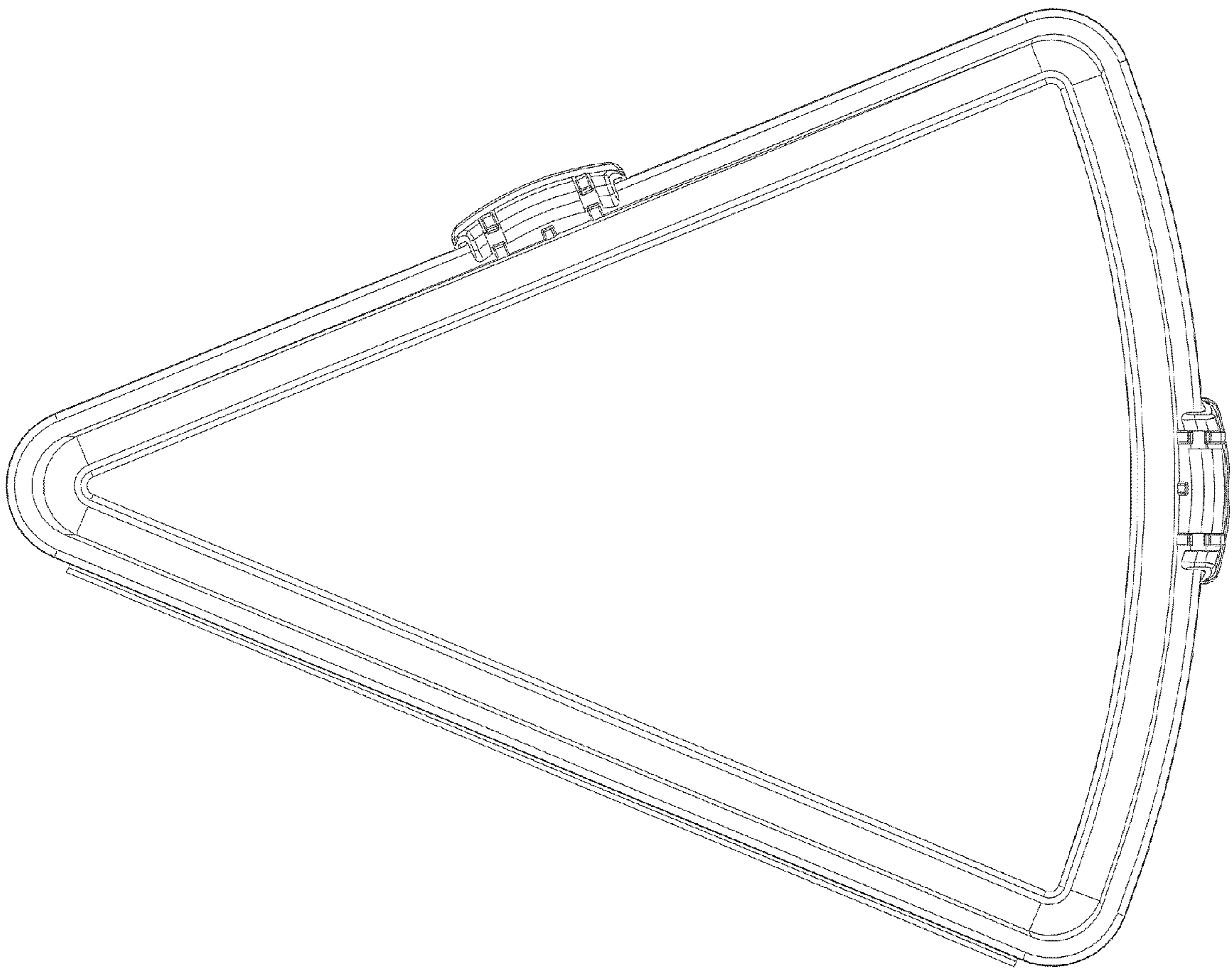


FIGURE 4

FIGURE 5



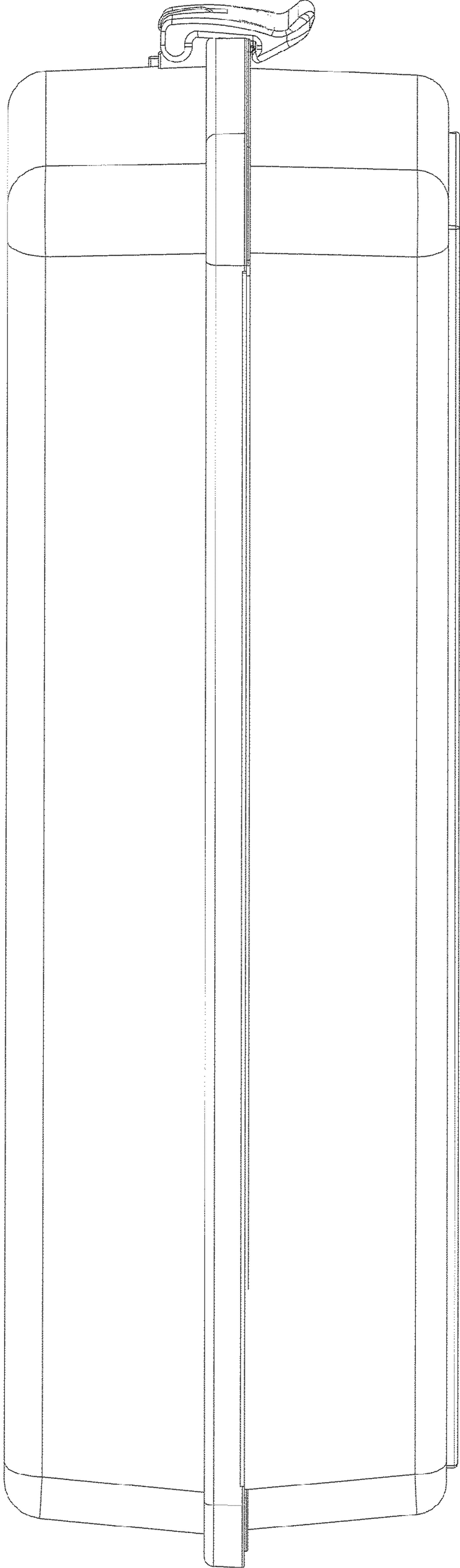
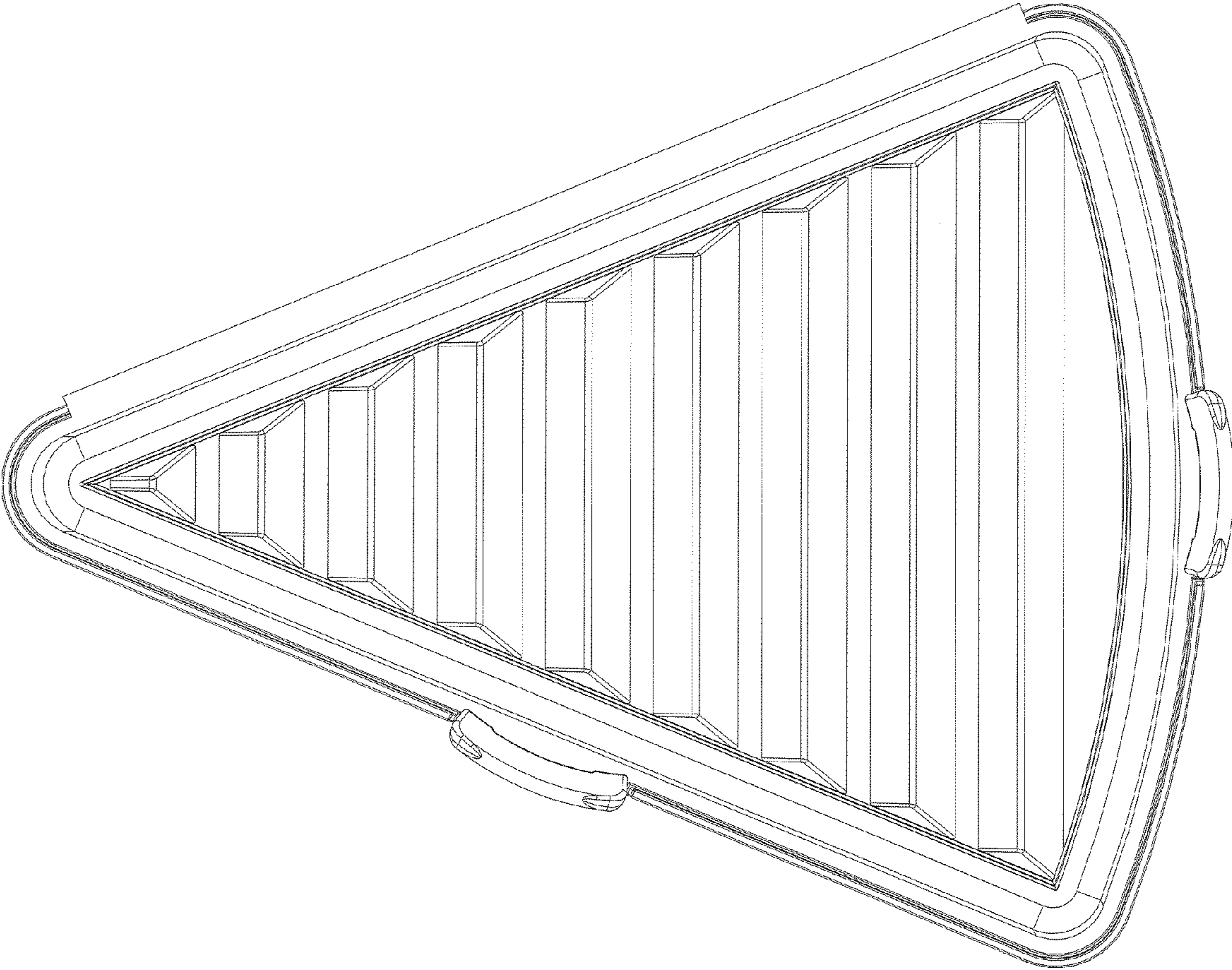


FIGURE 6

FIGURE 7



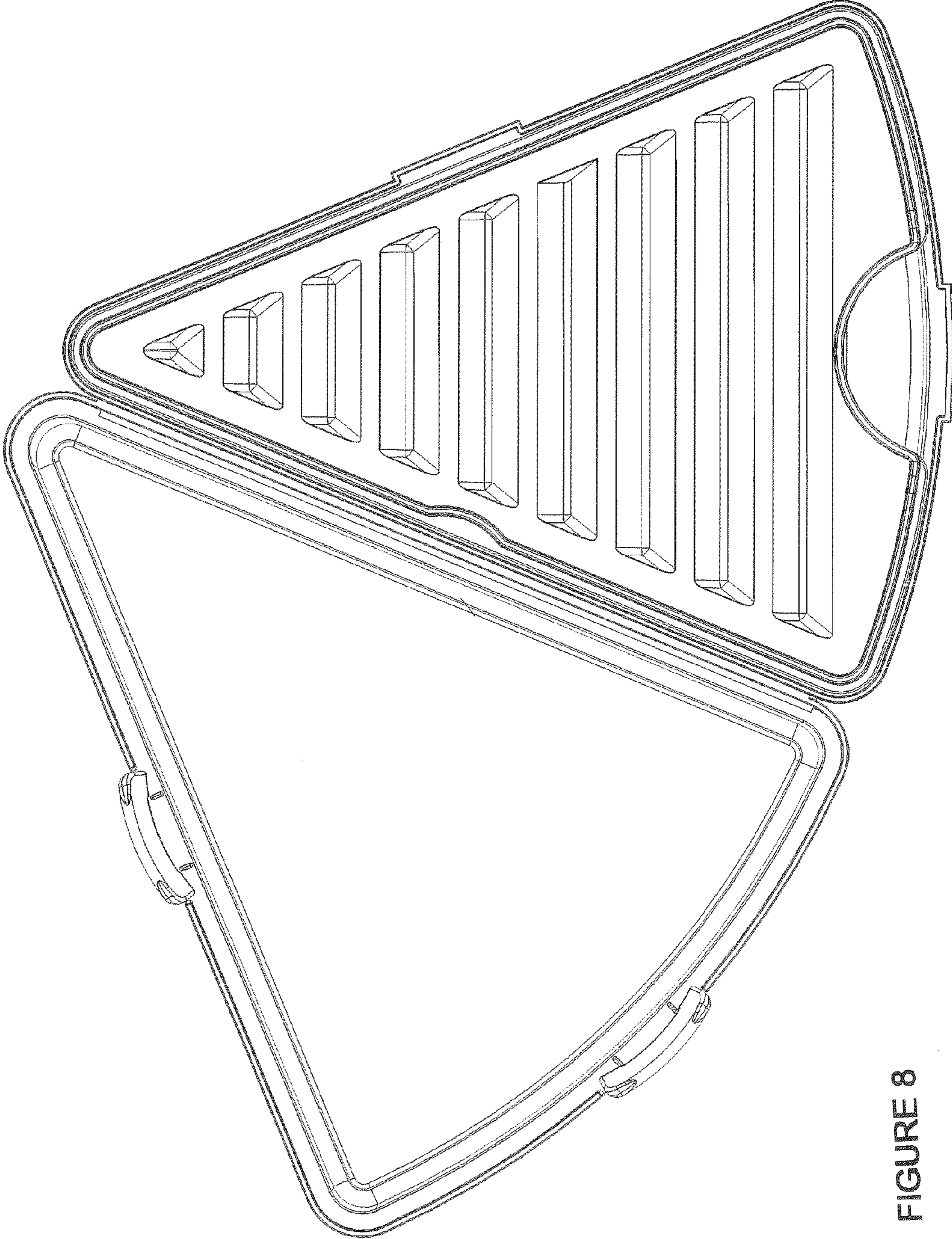


FIGURE 8

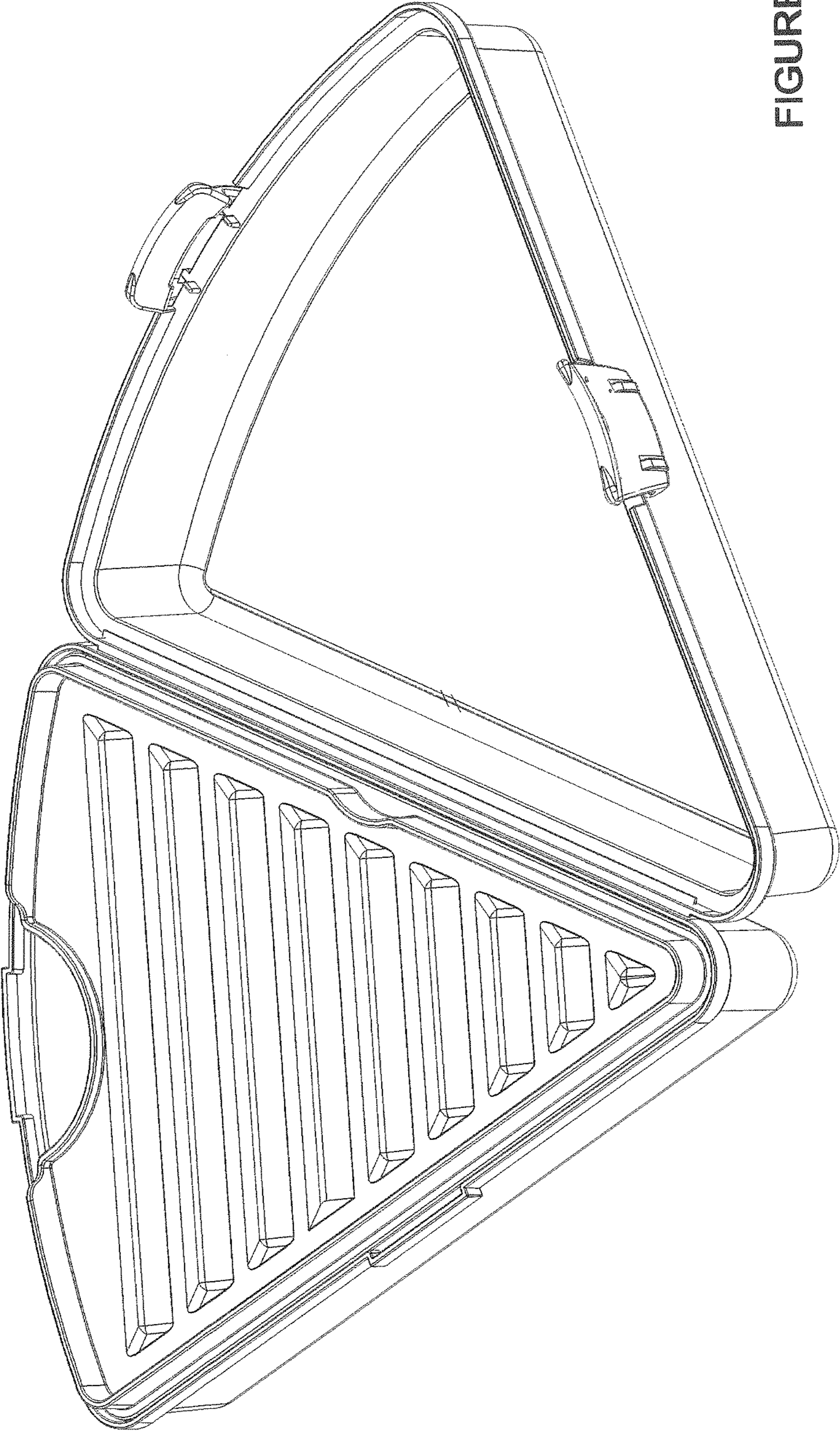


FIGURE 9

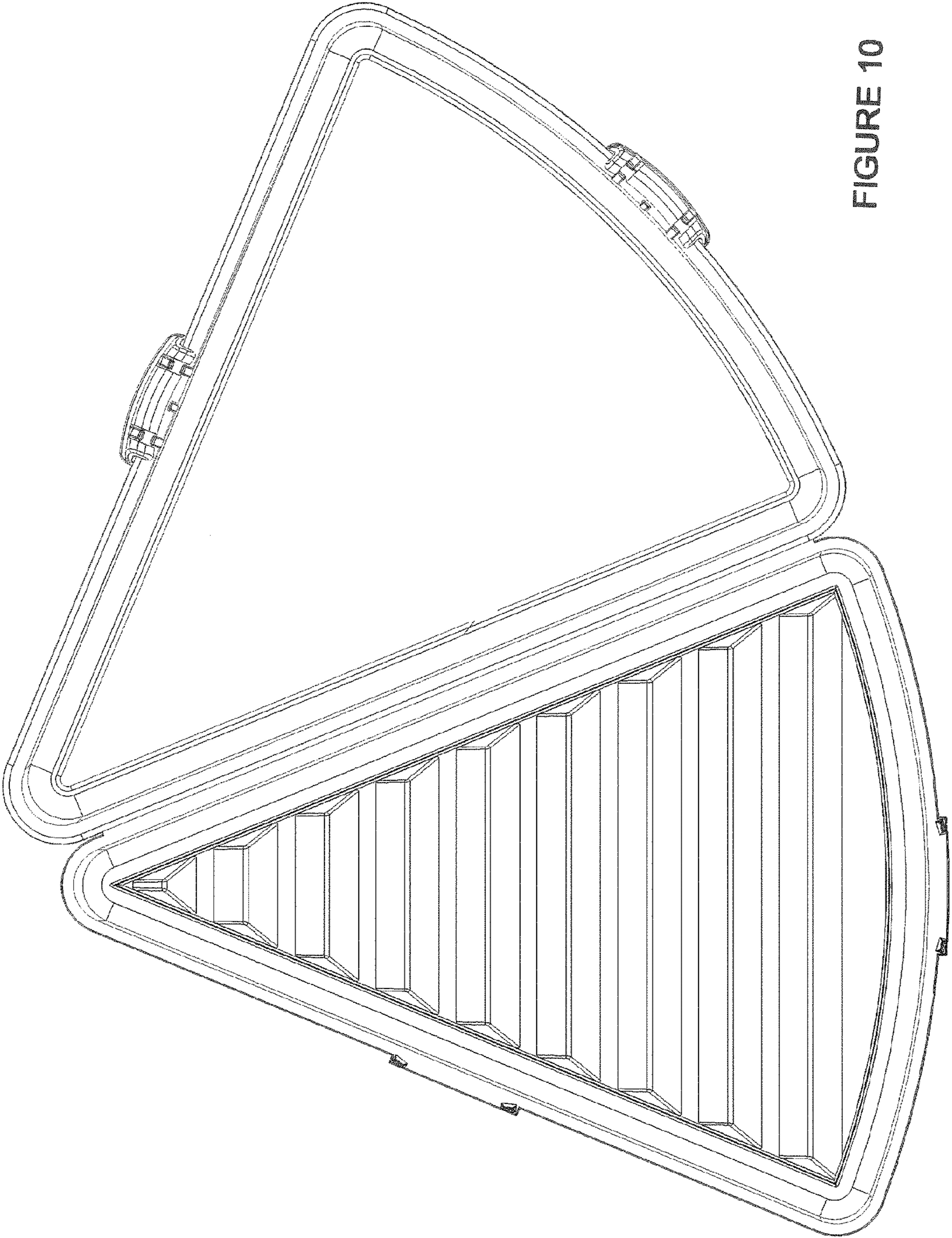


FIGURE 10

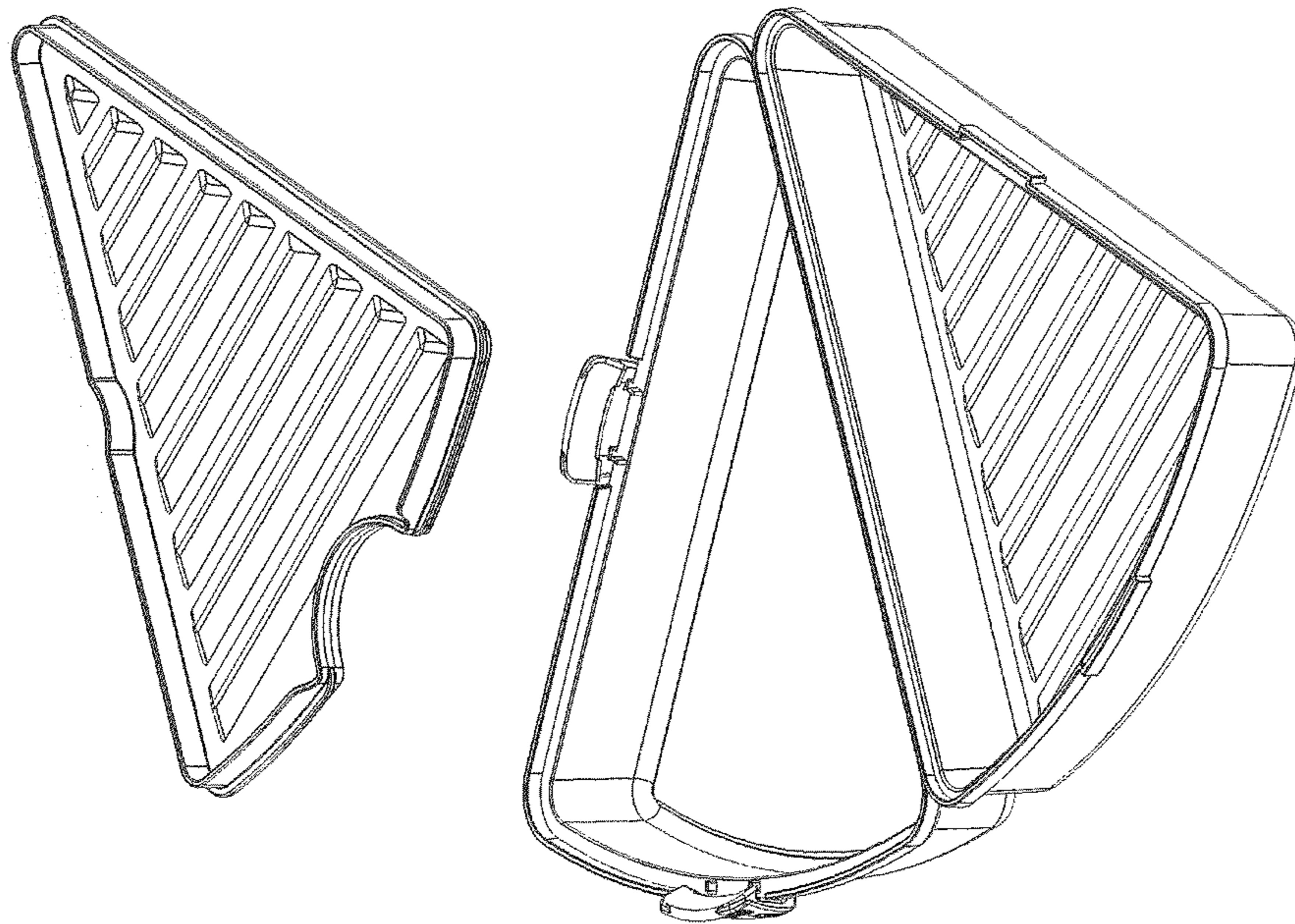


FIGURE 11

FIGURE 12

