



US00D688917S

(12) **United States Design Patent**
Ludeman et al.

(10) **Patent No.:** **US D688,917 S**

(45) **Date of Patent:** **** Sep. 3, 2013**

(54) **DISH**

(71) Applicant: **WKI Holding Company, Inc.**,
Rosemont, IL (US)

(72) Inventors: **Karl Ludeman**, Chicago, IL (US);
HuaDong Zhang, Shenzhen (CN)

(73) Assignee: **WKI Holding Company, Inc.**,
Rosemont, IL (US)

(**) Term: **14 Years**

(21) Appl. No.: **29/437,522**

(22) Filed: **Nov. 16, 2012**

(51) **LOC (9) Cl.** **07-01**

(52) **U.S. Cl.**
USPC **D7/586**

(58) **Field of Classification Search**
USPC D7/501, 505, 538, 543, 545, 500,
D7/590, 360, 600.2, 553.6, 392.1, 601, 354,
D7/555, 557, 566, 620, 629, 552.1, 589, 586,
D7/570; D9/743, 745; 220/751, 23.4, 574;
206/514; 73/426

See application file for complete search history.

(56) **References Cited**

U.S. PATENT DOCUMENTS

D7,364 S	4/1874	Sweeney
D9,848 S	3/1877	Barker
D43,852 S	4/1913	Sanford
D44,163 S	6/1913	Baxter et al.
D48,614 S	2/1916	Sanford
D51,837 S	3/1918	Evans
D51,878 S	3/1918	Evans
D52,016 S	5/1918	Beiswanger
D52,627 S	11/1918	Beiswanger
D52,692 S	11/1918	Beiswanger

RE14,558 E	12/1918	Beiswanger
D52,726 S	12/1918	Beiswanger
D52,727 S	12/1918	Beiswanger
D52,817 S	12/1918	Beiswanger
D56,334 S	10/1920	Beiswanger
D56,335 S	10/1920	Beiswanger
D56,336 S	10/1920	Beiswanger

(Continued)

OTHER PUBLICATIONS

Corningware Housewares Catalog, 1978.

(Continued)

Primary Examiner — Cynthia Underwood

(74) *Attorney, Agent, or Firm* — McDermott Will & Emery LLP

(57) **CLAIM**

We claim the ornamental design for a dish, as shown and described.

DESCRIPTION

FIG. 1 is a top perspective view of a dish according to the new design;

FIG. 2 is a bottom perspective view of the dish shown in FIG. 1;

FIG. 3 is a top view of the dish shown in FIG. 1;

FIG. 4 is a bottom view of the dish shown in FIG. 1;

FIG. 5 is a side elevation view of the dish shown in FIG. 1;

FIG. 6 is a side elevation view of the dish shown in FIG. 1;

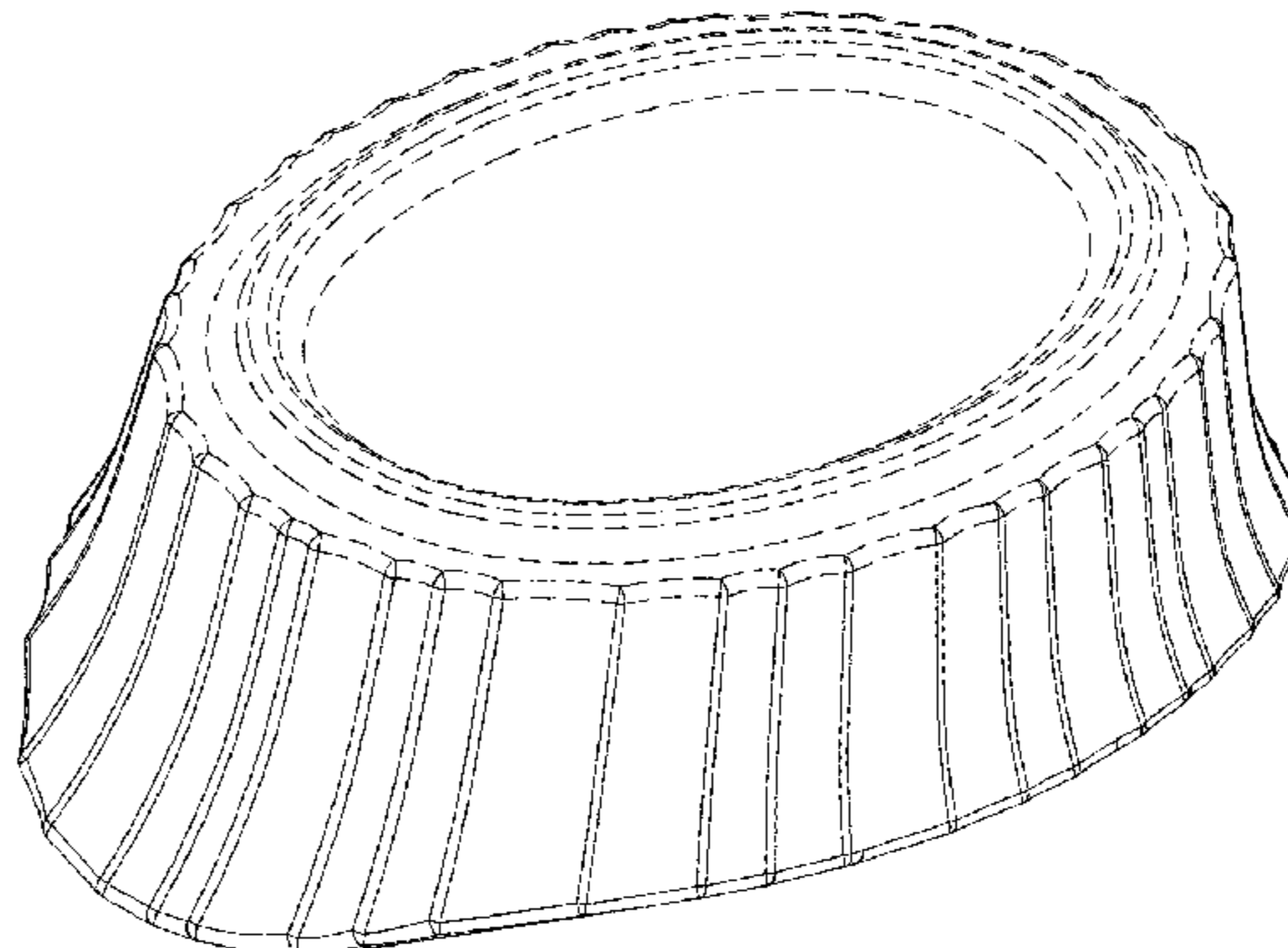
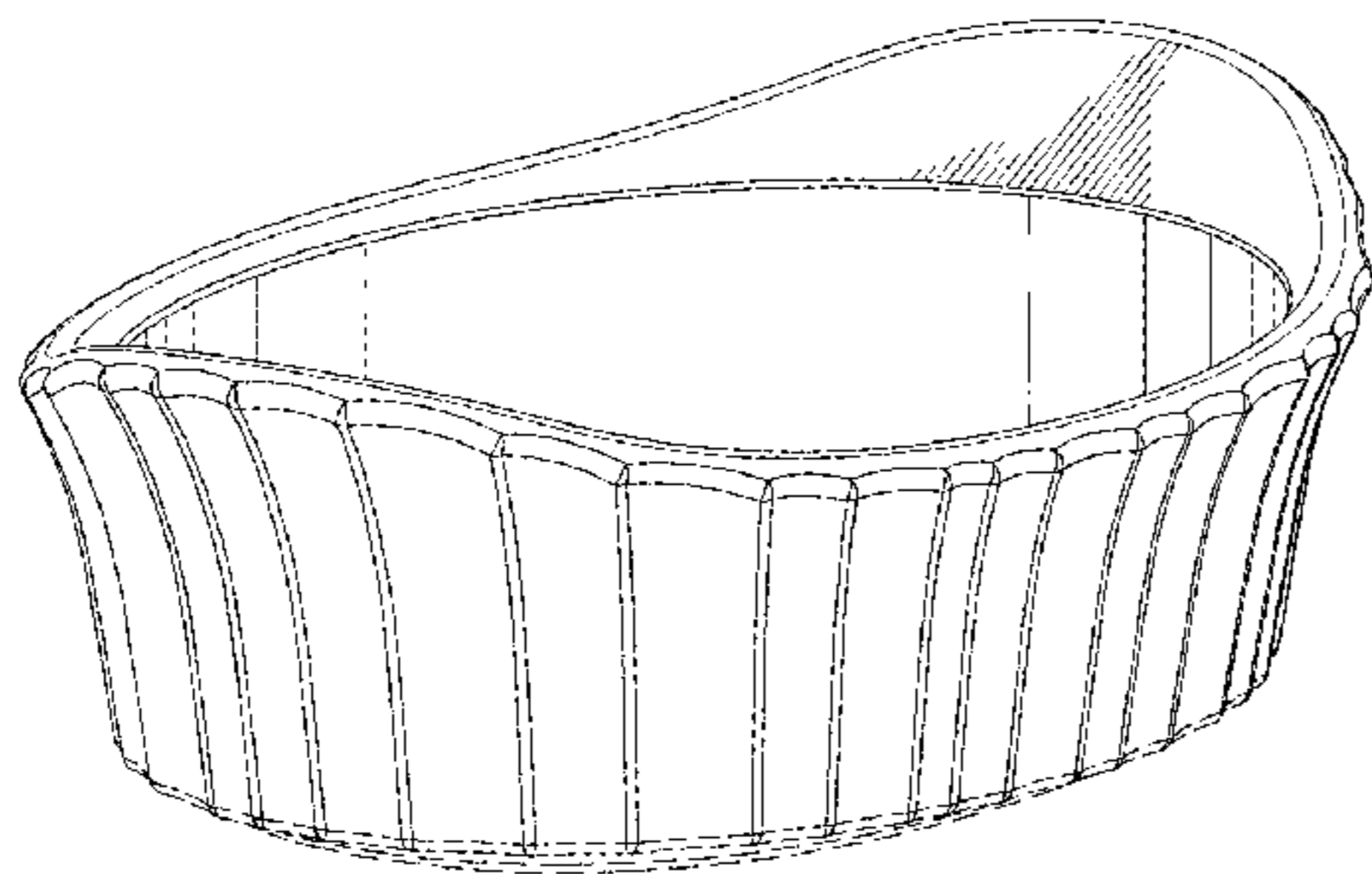
FIG. 7 is a left end view of the dish shown in FIG. 1;

FIG. 8 is a right end view of the dish shown in FIG. 1; and,

FIG. 9 is a cross-sectional view taken along the line 9-9 of the dish shown in FIG. 7.

The broken lines are included for illustrative purposes only and form no part of the claim.

1 Claim, 6 Drawing Sheets



(56)

References Cited

U.S. PATENT DOCUMENTS

D57,182 S 3/1921 Beiswanger
 D57,183 S 3/1921 Beiswanger
 D58,201 S 6/1921 Sailer
 D66,853 S * 3/1925 Heisey D7/562
 D70,643 S 7/1926 Anduze
 D71,003 S 9/1926 Carlson
 D111,229 S 9/1938 Spence
 D133,369 S 8/1942 Chaplin
 D154,216 S 6/1949 Reifsnyder
 D170,735 S 10/1953 Zeisel
 D186,852 S 12/1959 Stickney et al.
 D192,435 S 3/1962 Goodman
 3,154,215 A 10/1964 Le Vesconte
 3,190,486 A 6/1965 Rech
 3,545,645 A 12/1970 Smith
 D238,647 S 2/1976 Gullota
 D239,686 S 4/1976 Anderson
 D242,972 S 1/1977 Day
 4,026,458 A 5/1977 Morris et al.
 D247,601 S 3/1978 Schreckengost
 D255,309 S 6/1980 Colato et al.
 D269,931 S 8/1983 Durand
 4,532,397 A 7/1985 McClelland
 D282,330 S 1/1986 McBride
 D285,534 S 9/1986 Itoh et al.
 D291,398 S 8/1987 Schmidt
 4,715,144 A 12/1987 Lee
 D298,303 S 11/1988 Lee
 D306,972 S 4/1990 Moloney et al.
 5,004,121 A 4/1991 Howe
 D321,809 S 11/1991 Zobrist
 D321,815 S 11/1991 Bowdler
 D324,324 S 3/1992 Picozza
 D325,112 S 4/1992 Thompson
 D325,848 S 5/1992 Embree
 D332,750 S 1/1993 Moloney et al.
 D334,114 S 3/1993 Narsutis
 D338,302 S 8/1993 Shafer
 D338,375 S 8/1993 Andress
 5,266,763 A 11/1993 Colombo
 D344,875 S 3/1994 Pomroy et al.
 D349,424 S 8/1994 Schlegel
 D353,519 S 12/1994 Wolfenden
 D365,501 S 12/1995 Daugherty et al.
 D375,657 S 11/1996 Jarvis
 D375,871 S 11/1996 Jarvis
 D376,960 S 12/1996 Ferris
 D380,647 S 7/1997 Durand
 D382,796 S 8/1997 Mangla
 D386,046 S 11/1997 Bruckner
 D390,419 S 2/1998 Perlmutter et al.
 D392,881 S 3/1998 Bulcher et al.
 D395,822 S 7/1998 Keal et al.
 D398,185 S 9/1998 Emrich
 D406,726 S 3/1999 Horvat
 D411,075 S 6/1999 Emrich
 D413,487 S 9/1999 Vitali
 D413,766 S 9/1999 Hou
 D415,025 S 10/1999 McCann
 D415,935 S 11/1999 Martinez

D438,794 S 3/2001 Miles et al.
 D452,821 S 1/2002 Westphal
 D455,049 S 4/2002 Kell
 D460,663 S 7/2002 Seager
 D467,128 S 12/2002 Thonis et al.
 D469,313 S 1/2003 Thonis et al.
 D469,314 S 1/2003 Thonis et al.
 D469,315 S 1/2003 Thonis et al.
 D469,660 S 2/2003 Kortleven
 D469,662 S 2/2003 Thonis et al.
 D473,106 S 4/2003 Scherer
 D473,754 S * 4/2003 Thun D7/545
 D480,269 S * 10/2003 Currier D7/515
 D493,668 S 8/2004 Hsu
 D494,419 S 8/2004 Armer
 D501,762 S 2/2005 Wolhendler
 D503,871 S 4/2005 Armer
 D504,283 S 4/2005 Armer
 D504,799 S 5/2005 Lawson et al.
 D508,823 S 8/2005 Vendl et al.
 D511,437 S * 11/2005 Brown D7/602
 D514,949 S 2/2006 Dalton et al.
 D515,872 S 2/2006 Vendl et al.
 D515,873 S 2/2006 Vendl et al.
 D521,319 S 5/2006 Haataja
 D538,599 S * 3/2007 Miller D7/586
 D544,298 S 6/2007 Eide et al.
 D544,307 S 6/2007 Ablo
 D545,628 S 7/2007 Serra
 D545,630 S 7/2007 Serra
 D546,672 S * 7/2007 Chou D9/429
 D551,025 S 9/2007 Serra
 D551,510 S 9/2007 Serra
 D551,909 S 10/2007 Eide et al.
 D571,156 S 6/2008 Gartz et al.
 D574,705 S * 8/2008 Kortleven D9/428
 D587,065 S * 2/2009 Loring D7/391
 D590,663 S 4/2009 Simon et al.
 D595,542 S 7/2009 Dewey
 D606,176 S 12/2009 Urquiola
 D607,280 S 1/2010 Kellermann et al.
 D607,689 S 1/2010 Hart et al.
 D608,149 S 1/2010 Kellermann et al.
 D611,303 S 3/2010 Cimmerer et al.
 D629,641 S * 12/2010 Kuan D7/354
 D629,683 S * 12/2010 Fang D9/429
 D630,891 S 1/2011 Thonis
 D631,290 S 1/2011 Thonis
 D634,617 S * 3/2011 Sellari et al. D9/424
 D637,481 S * 5/2011 Sellari et al. D9/424
 D640,100 S * 6/2011 Shing D7/586
 D648,492 S * 11/2011 Able D30/129
 D656,792 S * 4/2012 Sink et al. D7/586

OTHER PUBLICATIONS

Corningware Housewares Catalog, 1982, pp. 7, 14, 15.
 Corningware Housewares Catalog, 1982, pp. 4-5, 10-11.
 Corningware Housewares Catalog, 1993.
 Corningware Housewares Catalog, 1998.
 Corningware Housewares Catalog, 1999.
 Corningware French White Catalog, 2000.

* cited by examiner

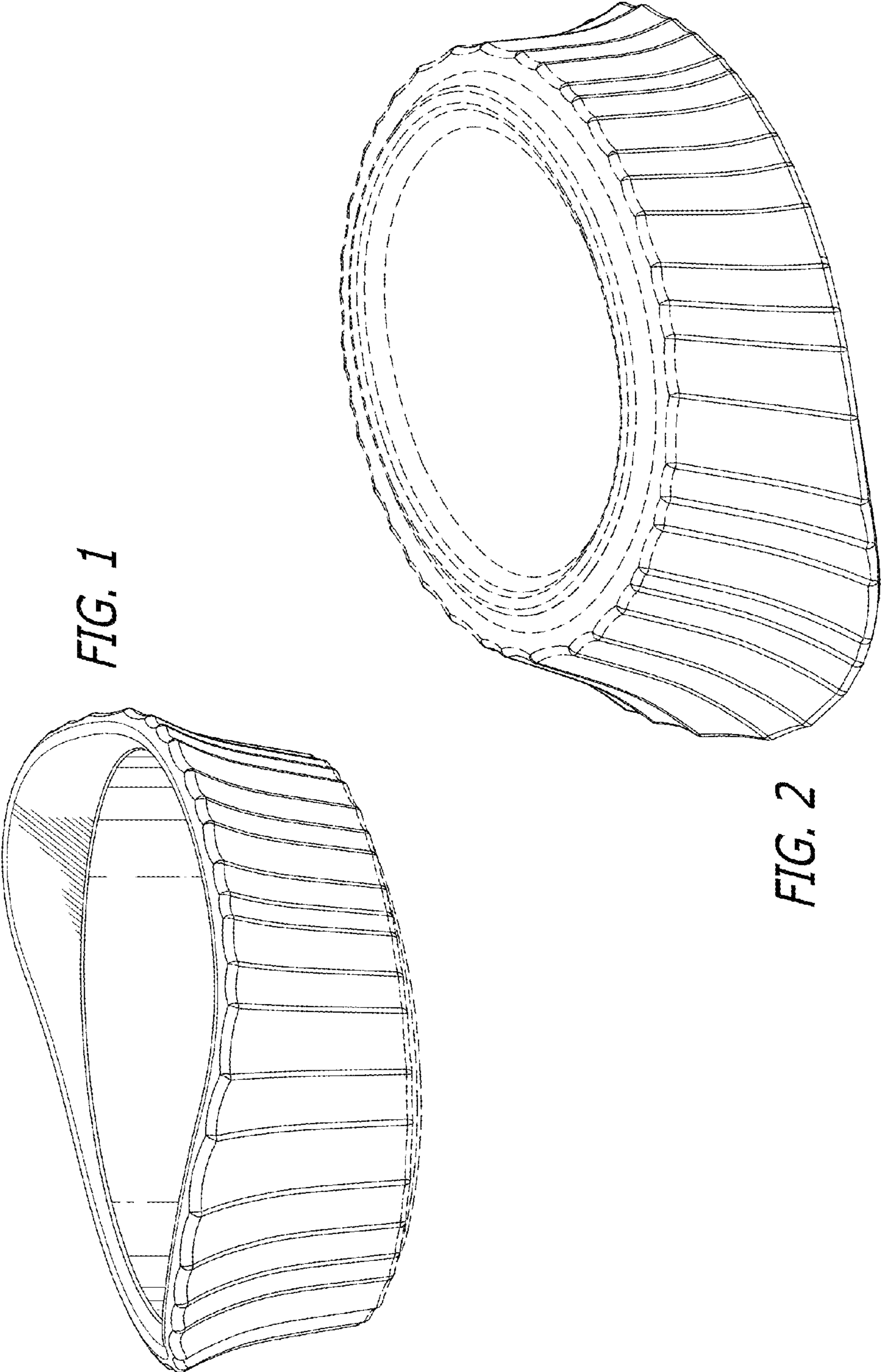


FIG. 1

FIG. 2

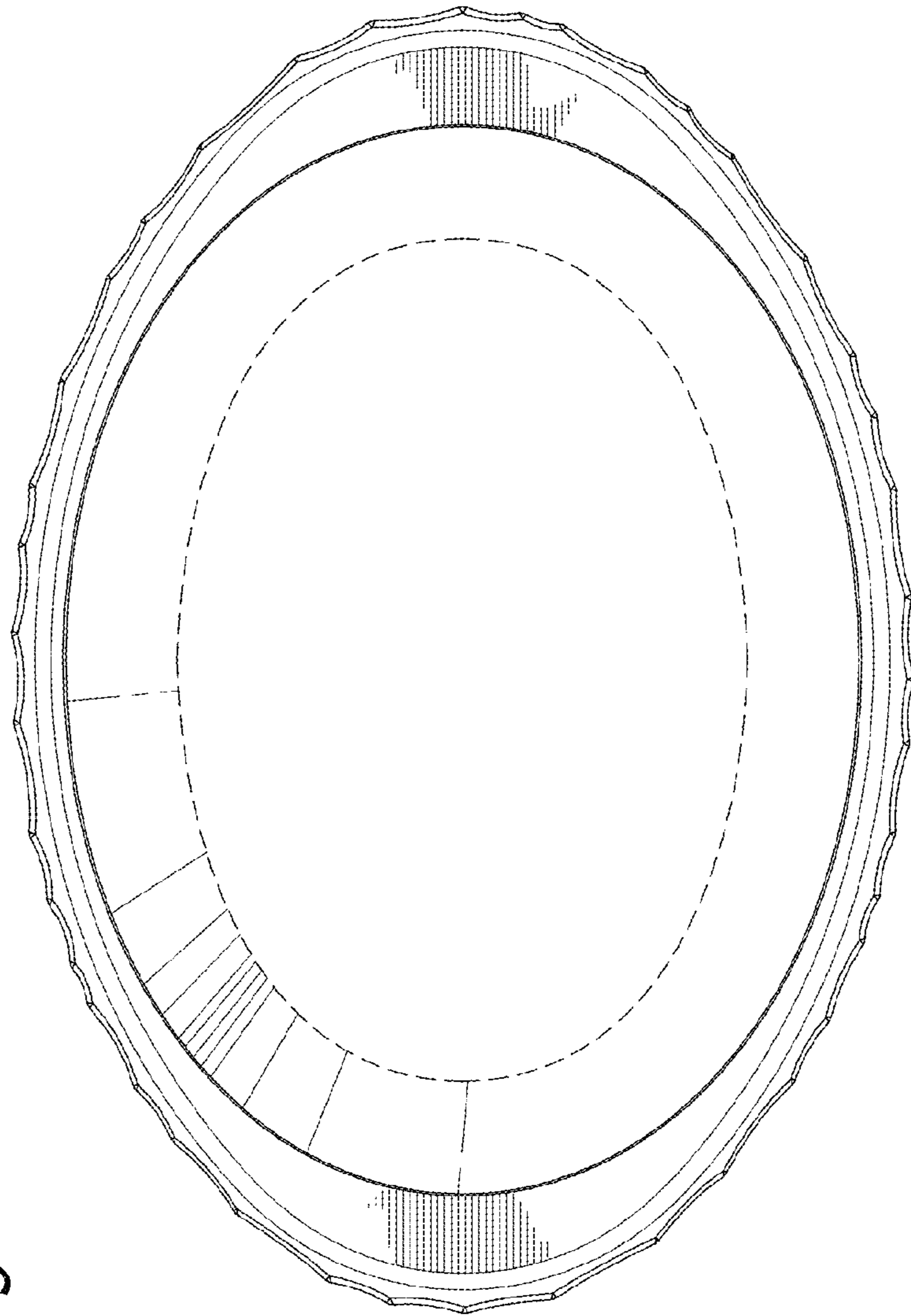


FIG. 3

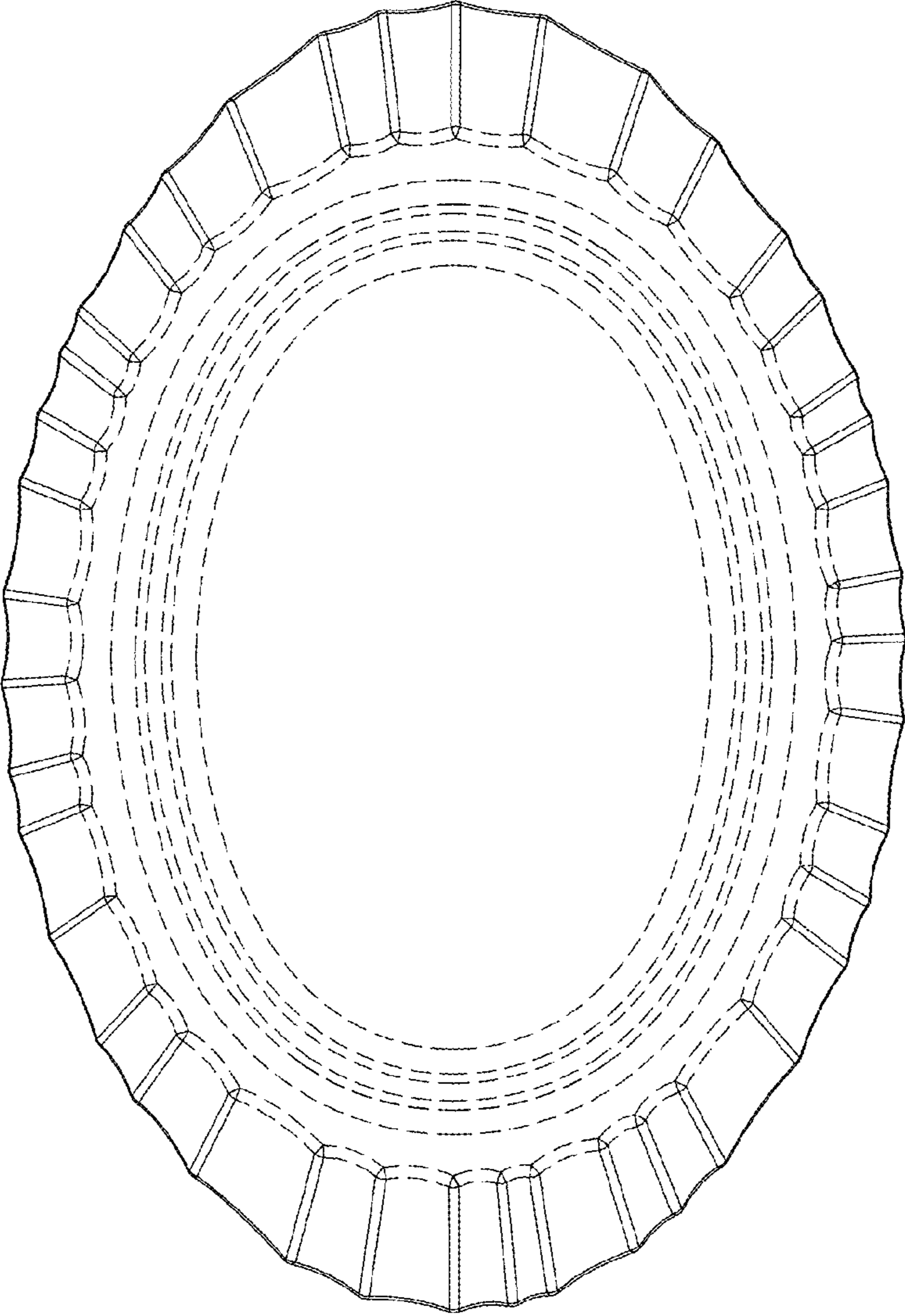


FIG. 4

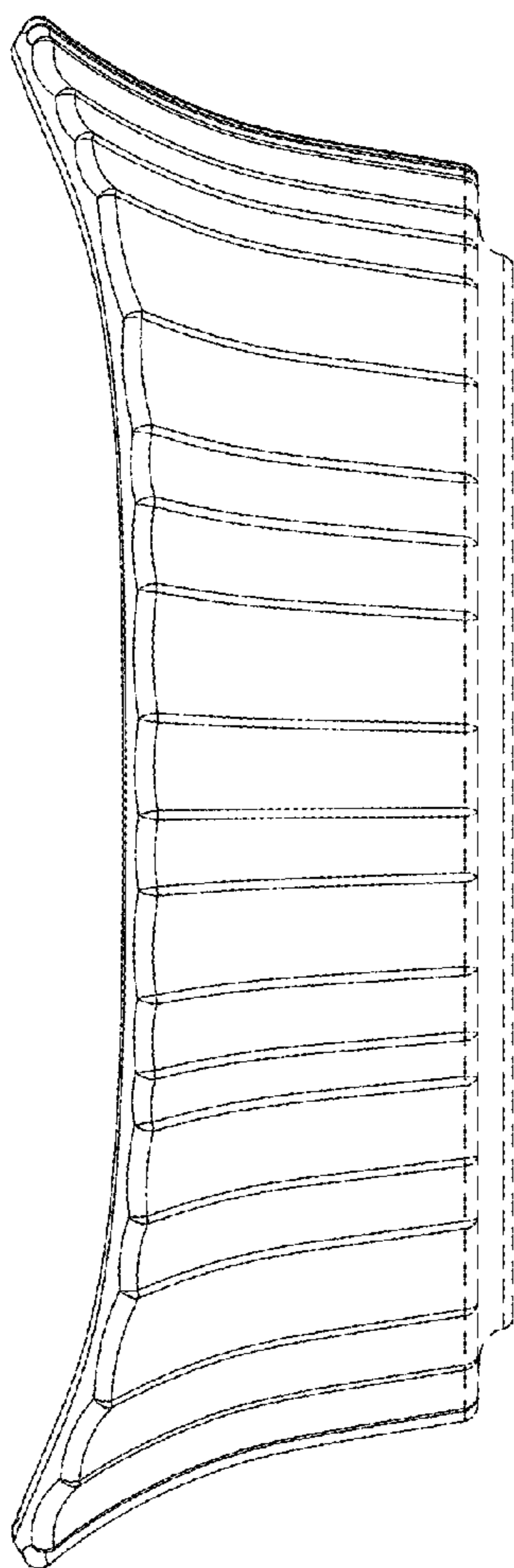


FIG. 5

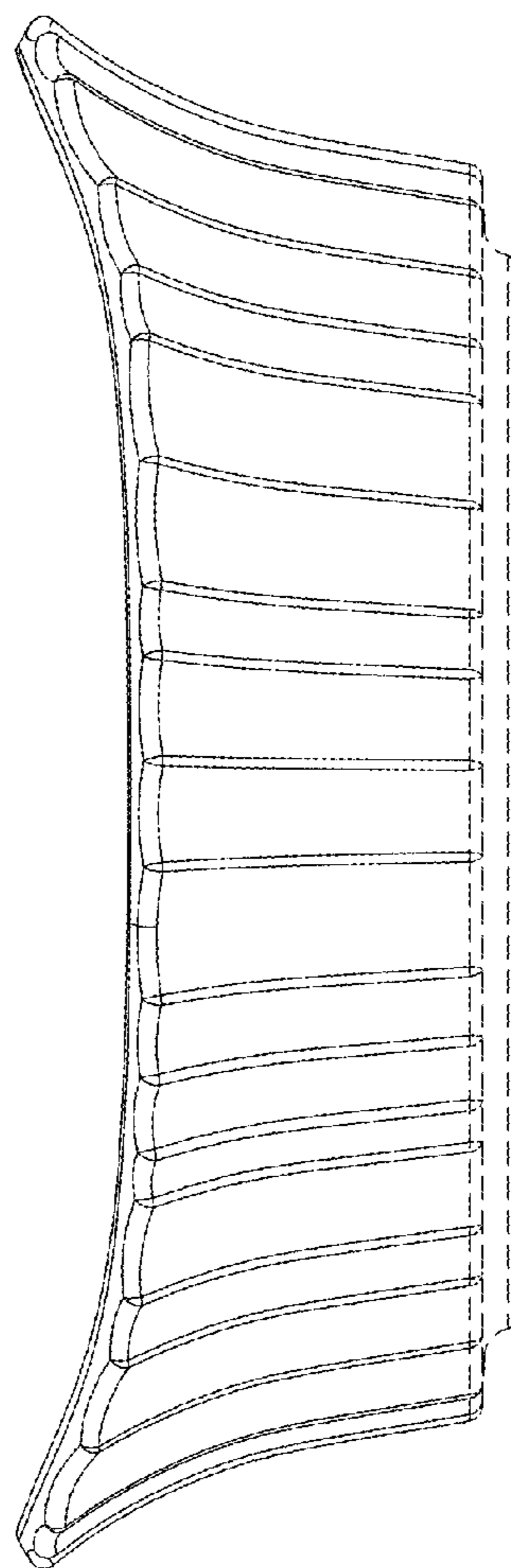


FIG. 6

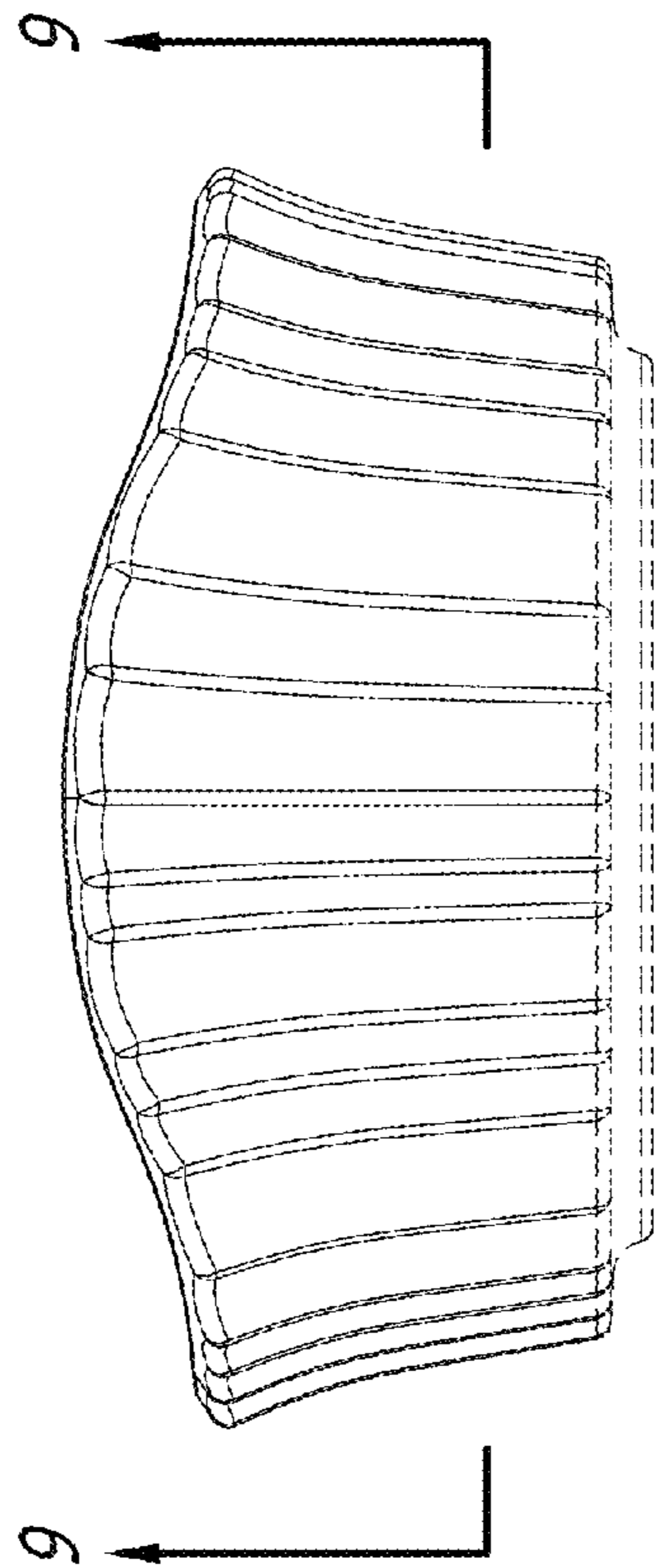


FIG. 7

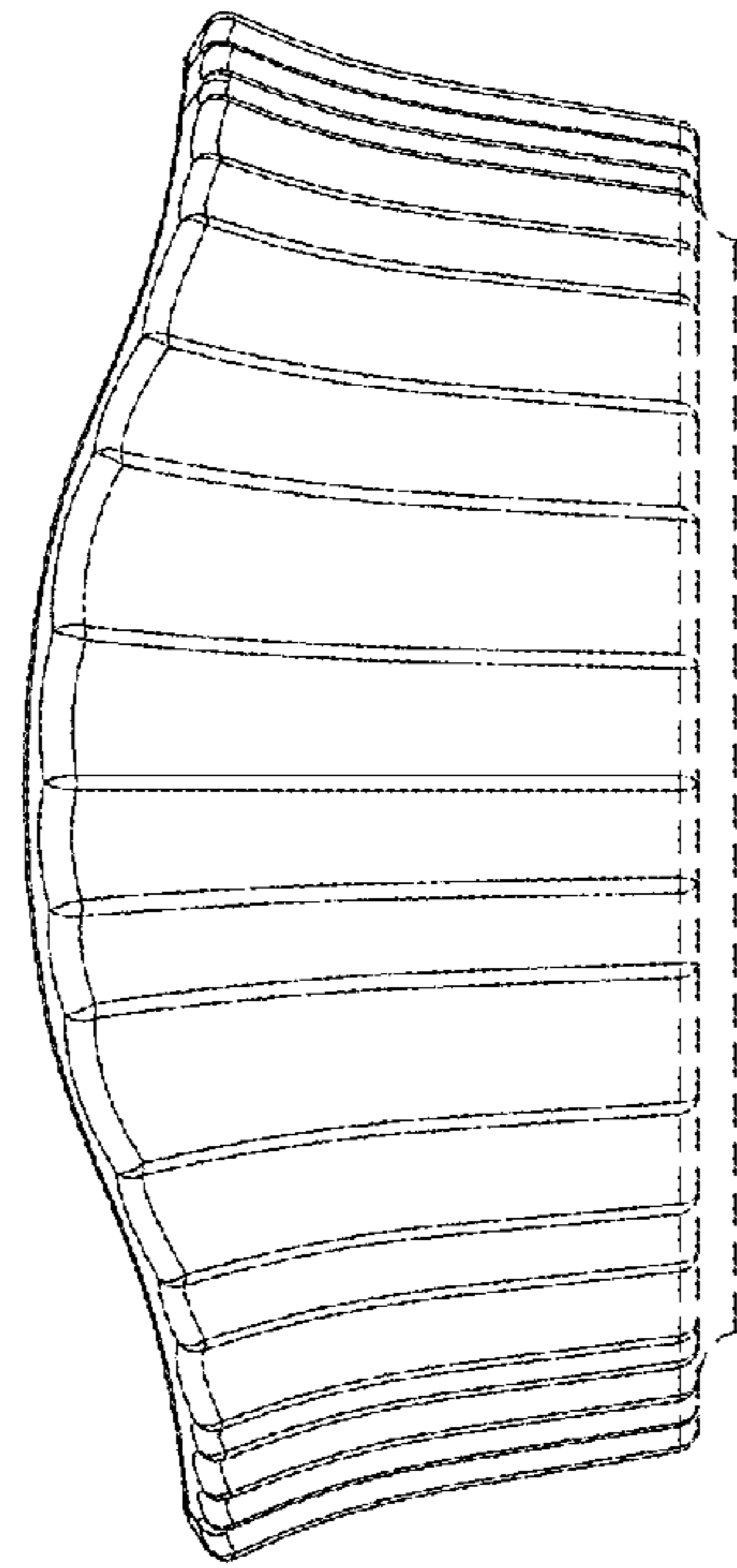


FIG. 8

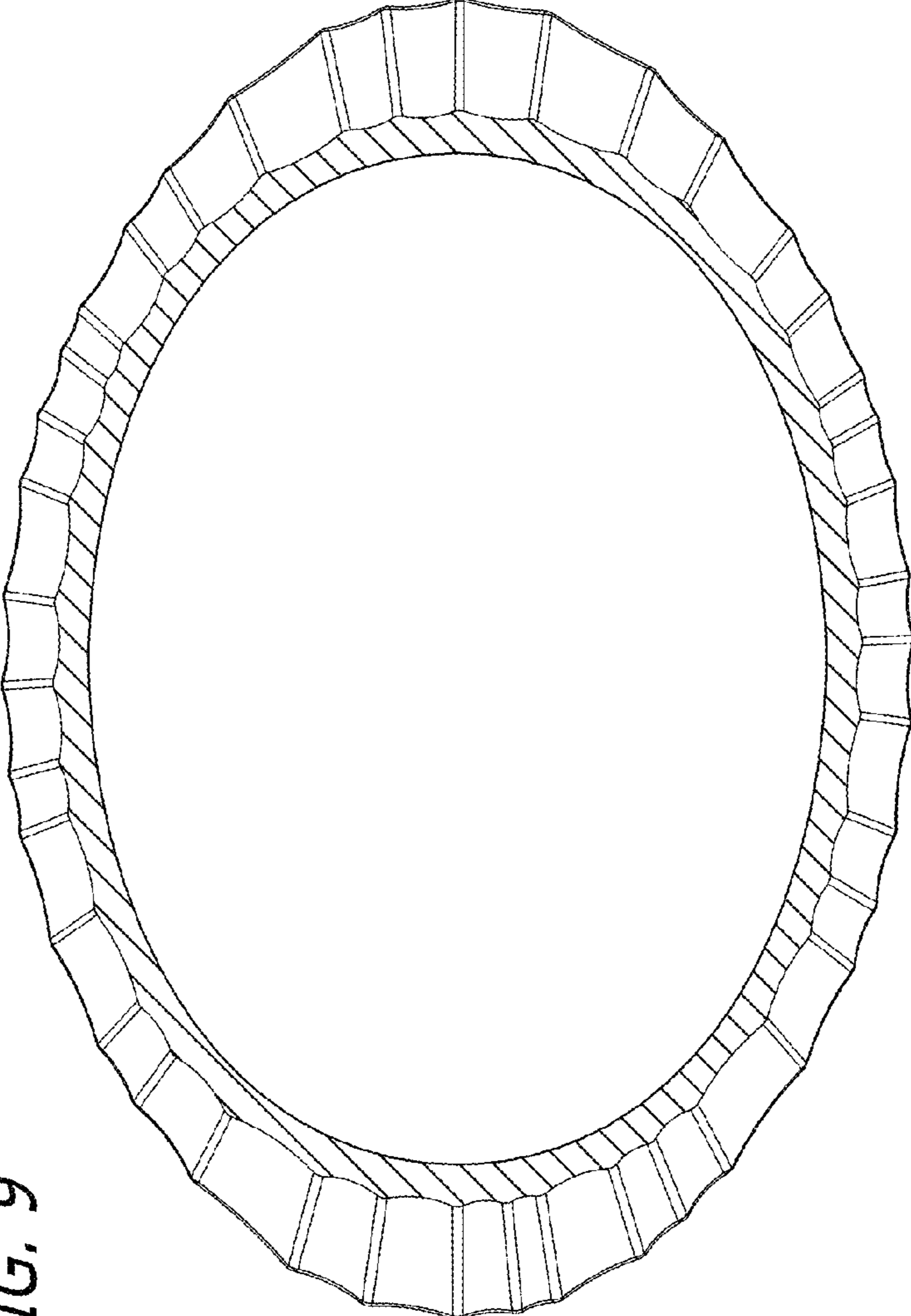


FIG. 9