



US00D688914S

(12) **United States Design Patent**
Galatte et al.

(10) **Patent No.:** **US D688,914 S**

(45) **Date of Patent:** **** Sep. 3, 2013**

(54) **OUTDOOR GRILL**

(75) Inventors: **David A. Galatte**, Vernon Hills, IL (US);
Scott Collins, Chicago, IL (US); **Luc Lam**, Chicago, IL (US)

(73) Assignee: **David A. Galatte**, Vernon Hills, IL (US)

(**) Term: **14 Years**

(21) Appl. No.: **29/395,324**

(22) Filed: **Dec. 30, 2011**

(51) **LOC (9) Cl.** **07-02**

(52) **U.S. Cl.**
USPC **D7/402**

(58) **Field of Classification Search**
USPC D7/332, 334, 337, 402-406, 409;
126/27, 44, 25 R, 41 R, 9 R, 40, 50, 38, 39 H,
126/39 N, 39 K, 39 M, 39 R, 39 J, 39 G,
126/39 E, 285 R, 290, 80, 243, 287; 99/425,
99/444-446, 450, 481, 482, 340; 431/247,
431/207, 264

See application file for complete search history.

(56) **References Cited**

U.S. PATENT DOCUMENTS

5,536,518 A * 7/1996 Rummel 426/523
5,755,154 A * 5/1998 Schroeter et al. 99/401

D411,782 S * 7/1999 Husted D7/402
6,125,837 A * 10/2000 Mulberry 126/41 R
D479,092 S * 9/2003 Lewis et al. D7/332
D483,983 S * 12/2003 Harrod et al. D7/334
D491,414 S * 6/2004 Nichols et al. D7/402
D536,567 S * 2/2007 May et al. D7/334
D571,605 S * 6/2008 Chung D7/334
D618,034 S * 6/2010 Chung D7/334
D618,485 S * 6/2010 Chung D7/334
D618,951 S * 7/2010 Tzeng D7/334
D654,758 S * 2/2012 Thimm et al. D7/334
D660,074 S * 5/2012 Chung D7/334

* cited by examiner

Primary Examiner — Ruth McInroy

(57) **CLAIM**

What is claimed is the ornamental design for an outdoor grill, as shown and described.

DESCRIPTION

FIG. 1 is a top, front, and left side isometric view of the outdoor grill showing our new design.

FIG. 2 is a front elevational view thereof

FIG. 3 is a left side elevational view thereof

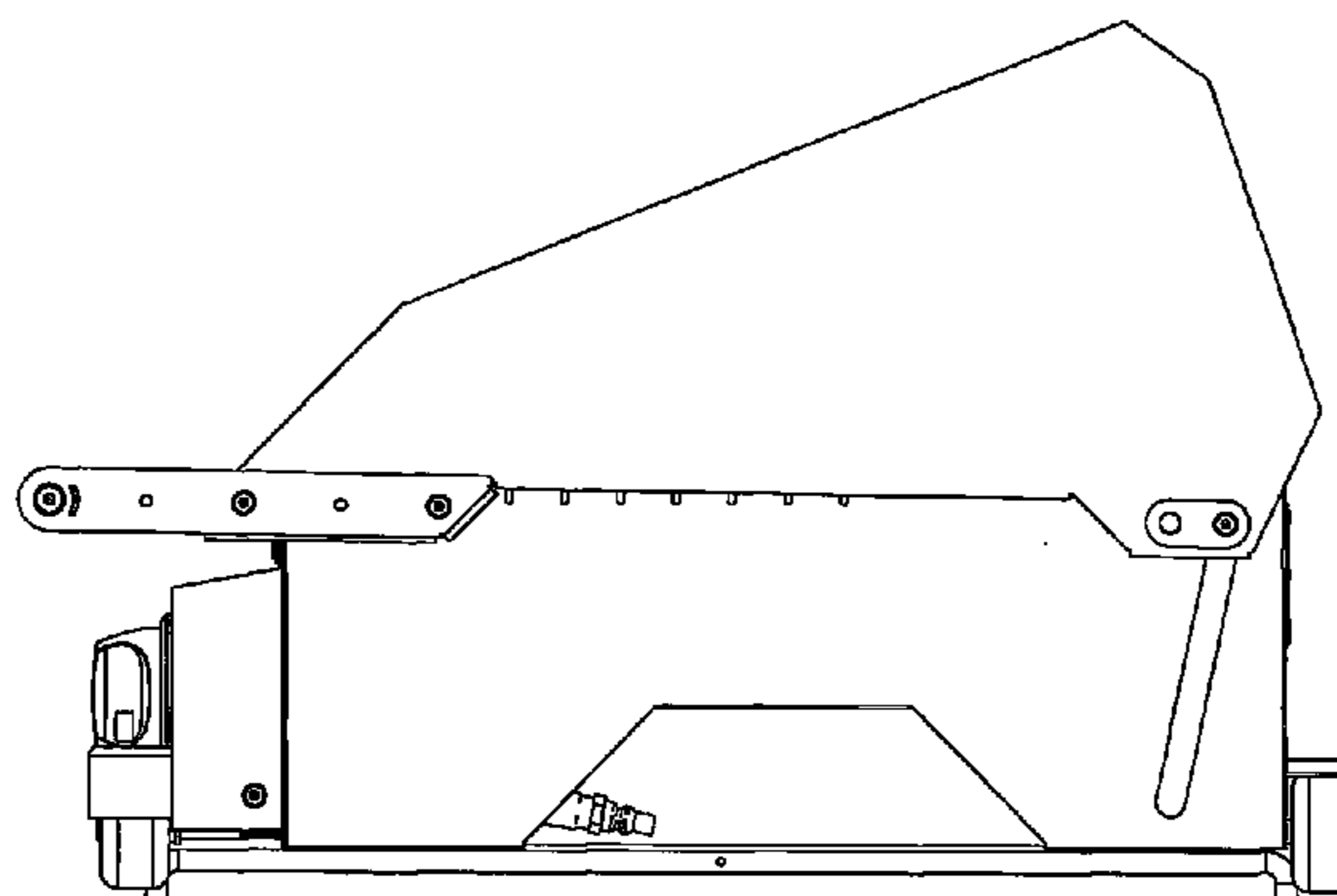
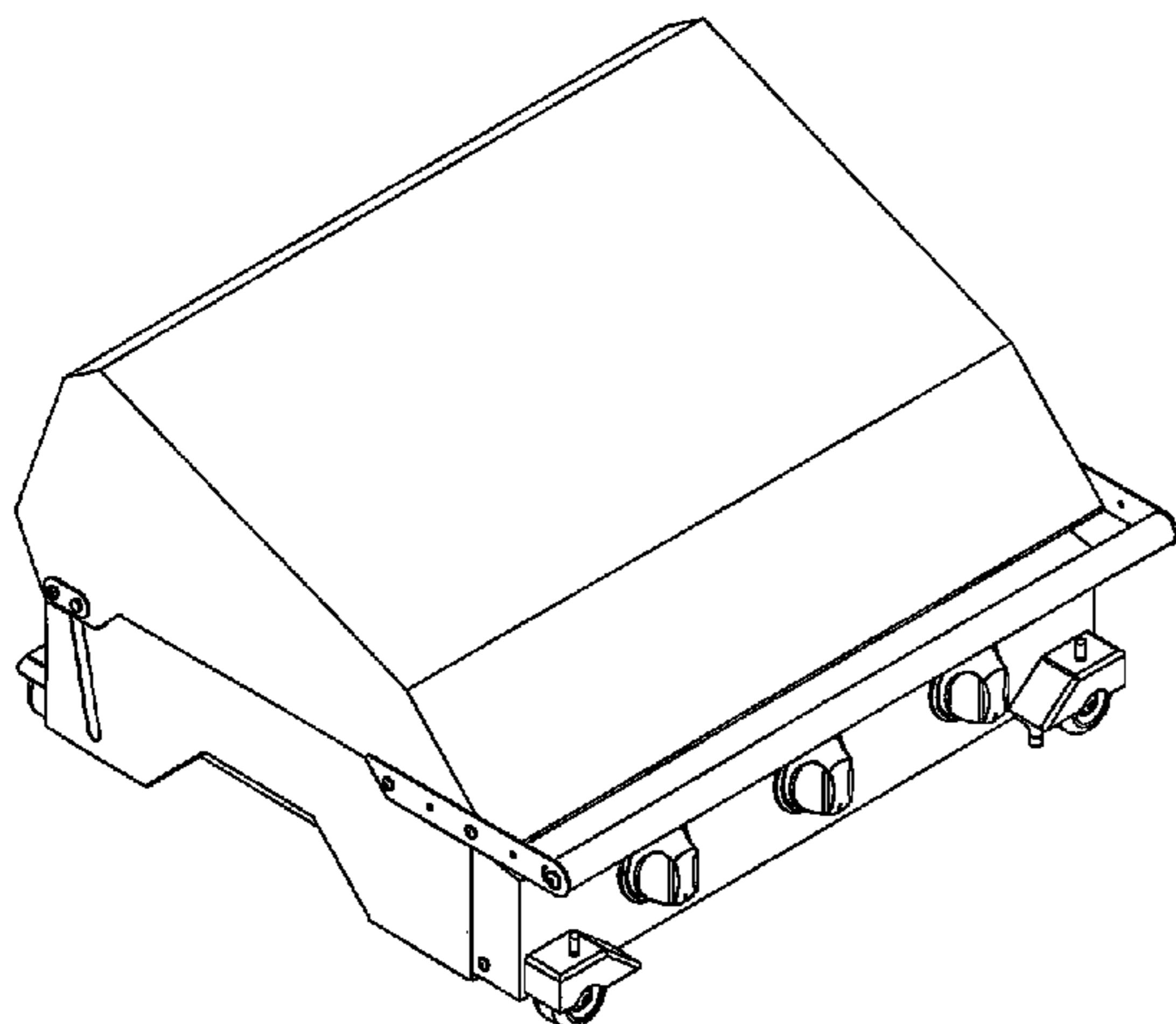
FIG. 4 is a rear elevational view thereof;

FIG. 5 is a right side elevational view thereof; and,

FIG. 6 is a top plan view thereof.

The details show in broken lines form no part of the claimed design.

1 Claim, 6 Drawing Sheets



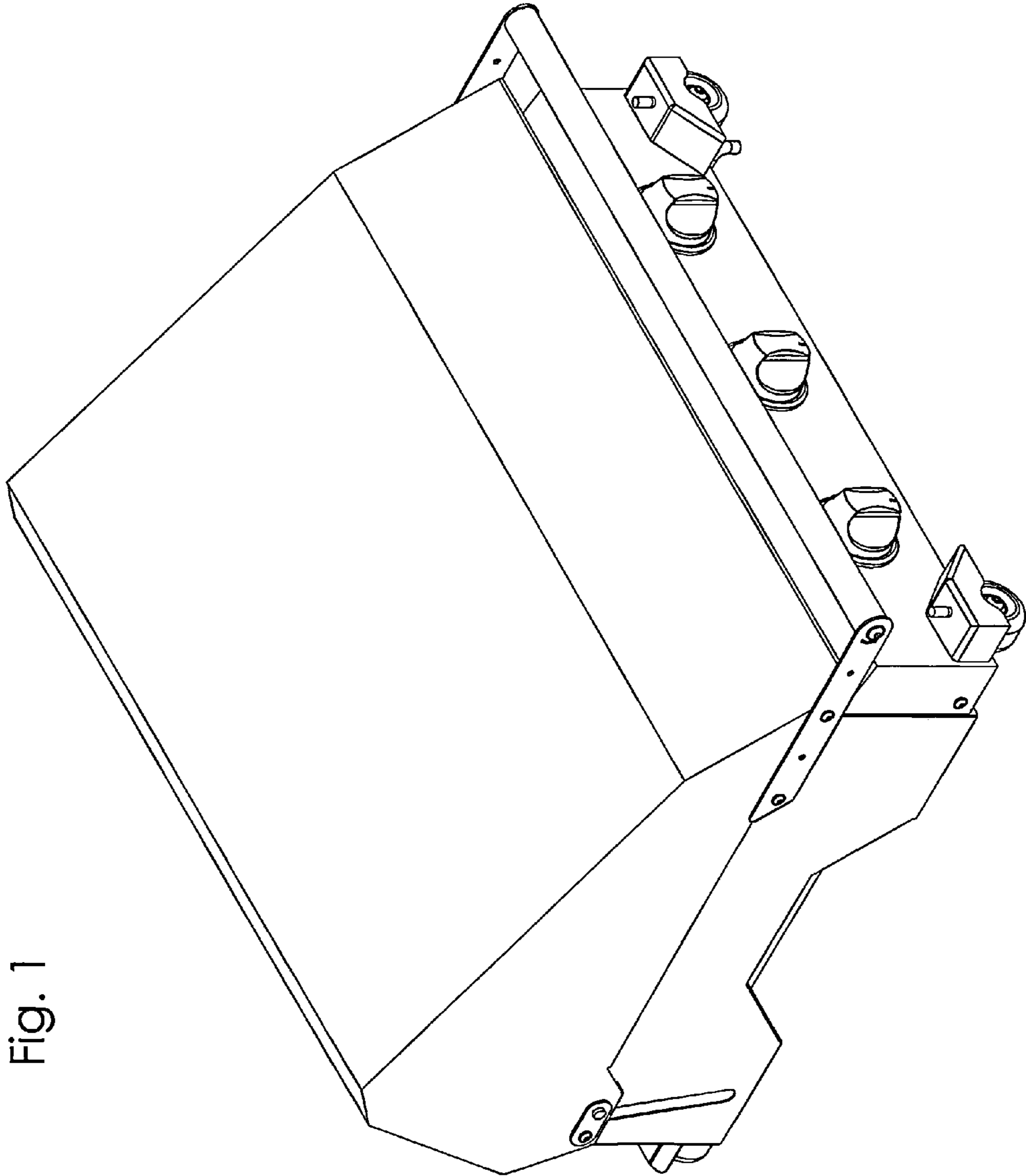


Fig. 1

Fig. 2

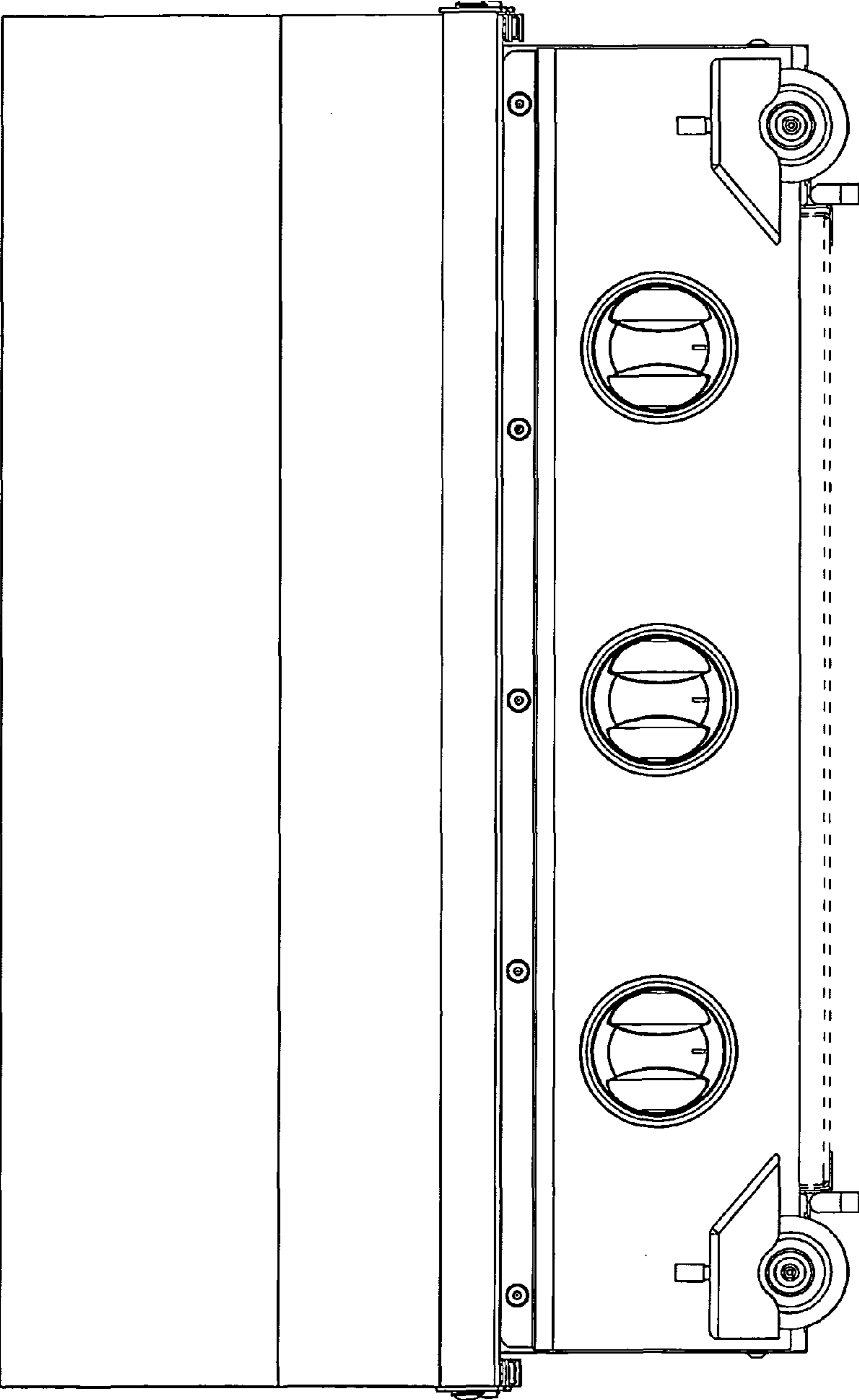


Fig. 3

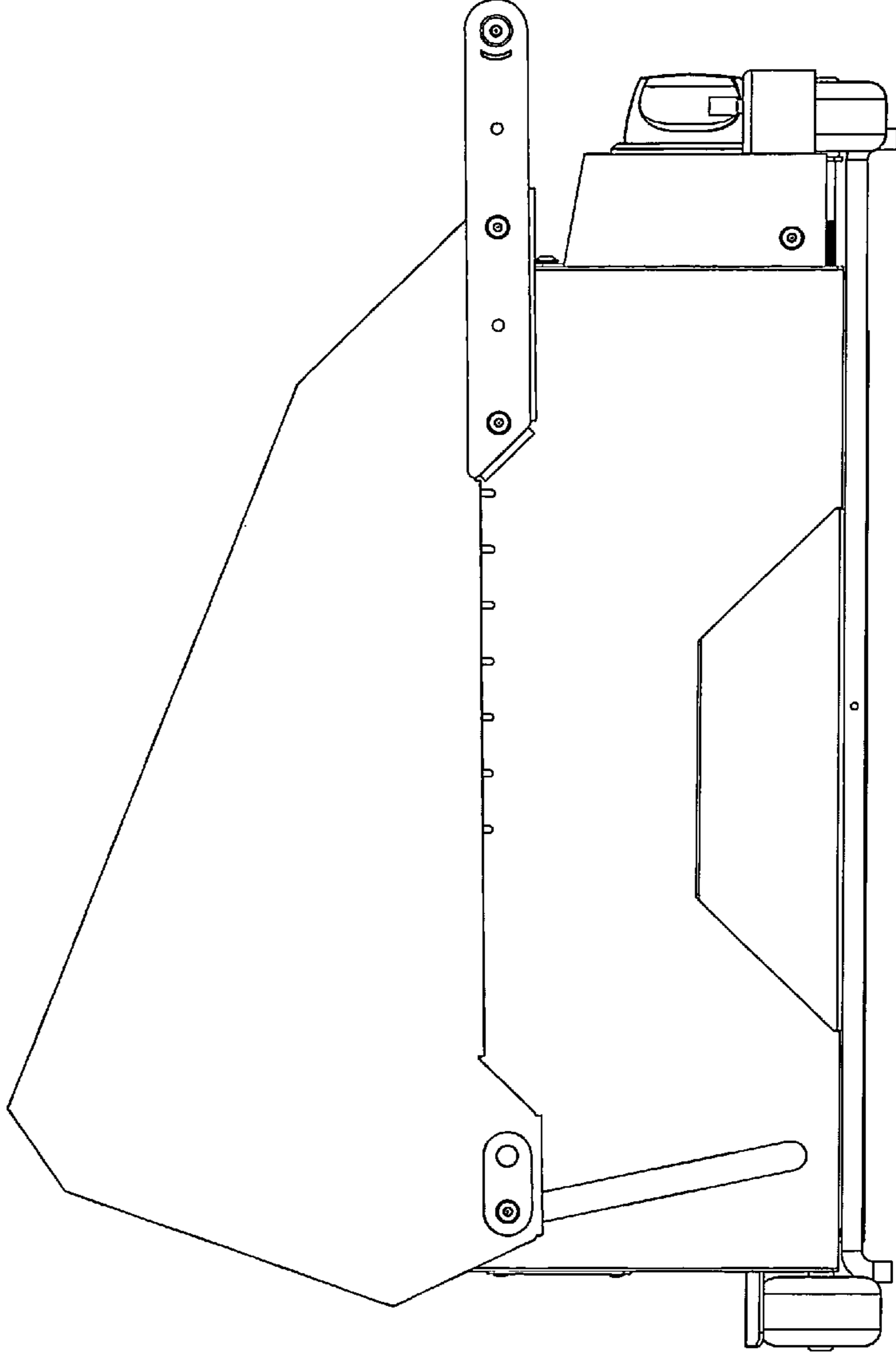


Fig. 4

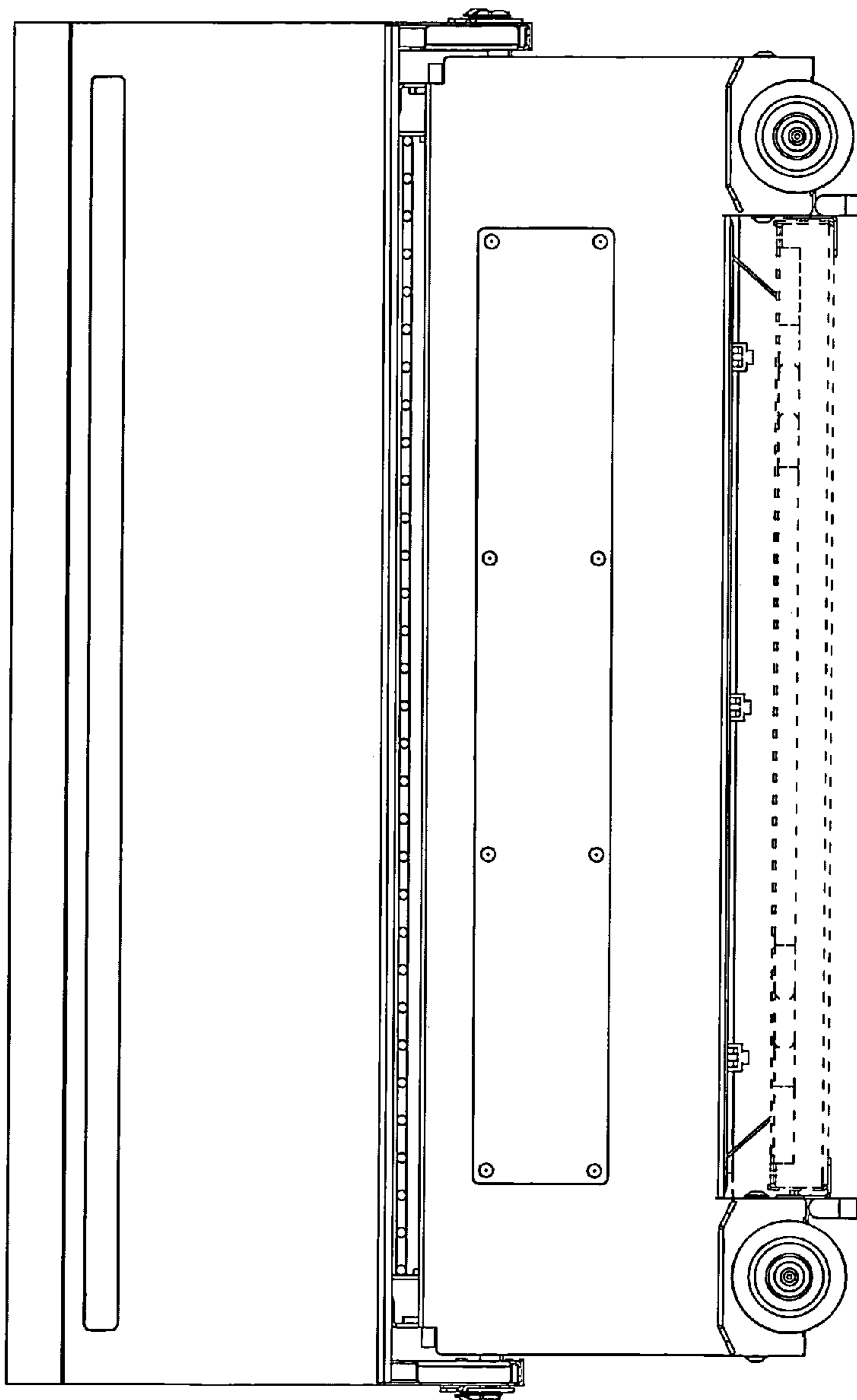


Fig. 5

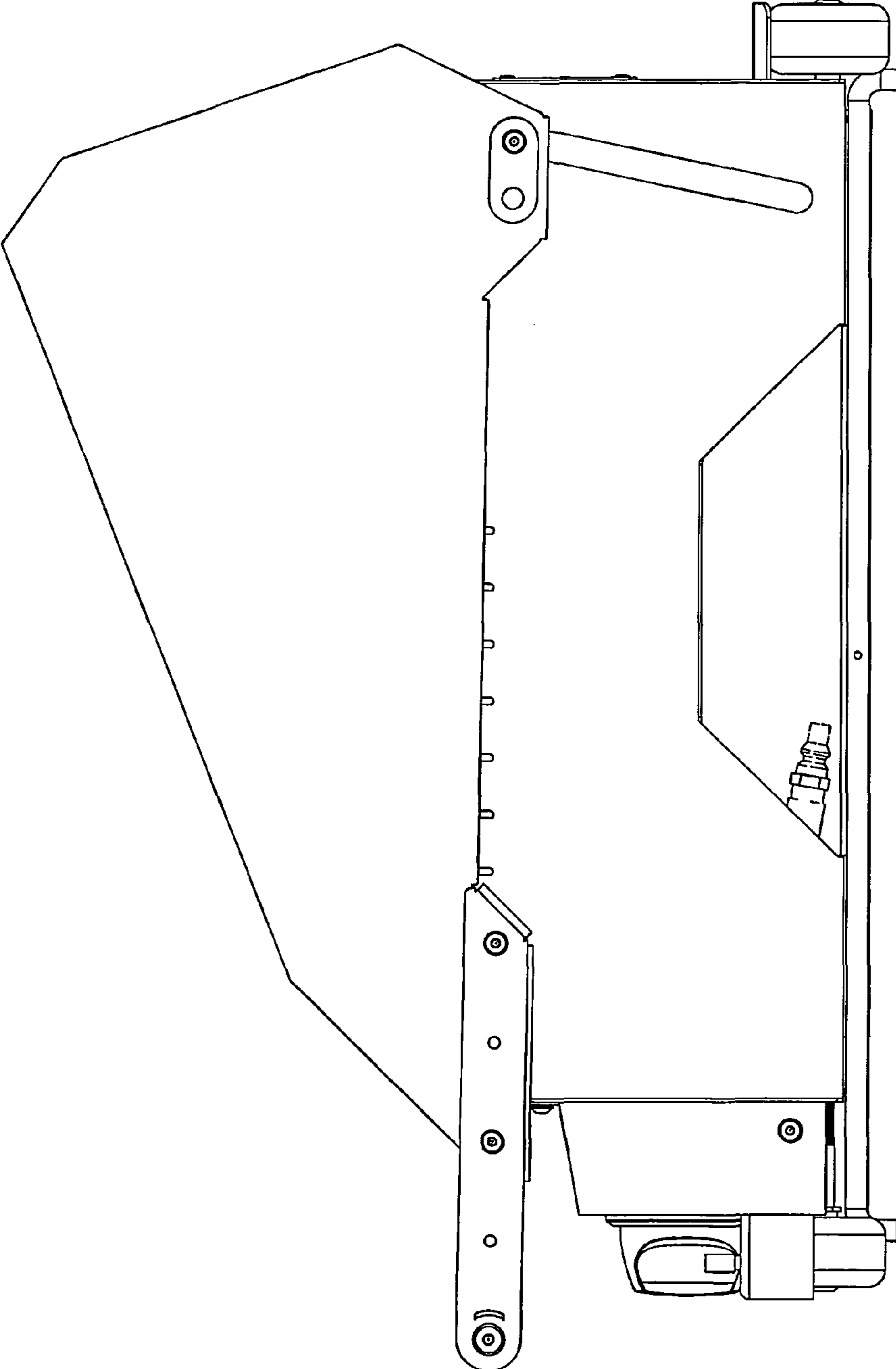


Fig. 6

