



US00D688913S

(12) **United States Design Patent**  
**Lo**

(10) **Patent No.:** **US D688,913 S**

(45) **Date of Patent:** **\*\* Sep. 3, 2013**

(54) **WEDGED AND CURVED CUTLERY HANDLE**

(71) Applicant: **Wai Kim Lo**, Hong Kong (CN)

(72) Inventor: **Wai Kim Lo**, Hong Kong (CN)

(\*\*) Term: **14 Years**

(21) Appl. No.: **29/421,908**

(22) Filed: **Oct. 16, 2012**

(51) **LOC (9) Cl.** ..... **07-03**

(52) **U.S. Cl.**  
USPC ..... **D7/401.2**; D7/649

(58) **Field of Classification Search**  
USPC ..... D7/368, 393-395, 401.2, 642-646,  
D7/649-654, 660-664, 669, 675-676, 683,  
D7/688-692, 695-696; D8/25, 83, 99, 107,  
D8/303; D22/118; 30/137, 141-143, 147-150,  
30/322-327, 329, 335, 340, 342-344, 355;  
416/70 R

See application file for complete search history.

(56) **References Cited**

**U.S. PATENT DOCUMENTS**

D479,104 S *	9/2003	Onion	.....	D7/649
D539,082 S *	3/2007	Molayem	.....	D7/393
D547,135 S *	7/2007	Hasegawa	.....	D7/664
D552,429 S *	10/2007	Onion	.....	D7/649
D557,081 S *	12/2007	Hadj-Chikh et al.	.....	D7/649
D558,851 S *	1/2008	Onion	.....	D22/118

D564,305 S *	3/2008	Chisholm	.....	D7/649
D632,934 S *	2/2011	Thun	.....	D7/649
D649,411 S *	11/2011	Lo	.....	D7/649
D649,840 S *	12/2011	Lo	.....	D7/649
D649,841 S *	12/2011	Lo	.....	D7/649
D661,554 S *	6/2012	Thomkins	.....	D7/649

\* cited by examiner

*Primary Examiner* — Ricky Pham

(74) *Attorney, Agent, or Firm* — Sonya C. Harris; Gaff Mayer IPS

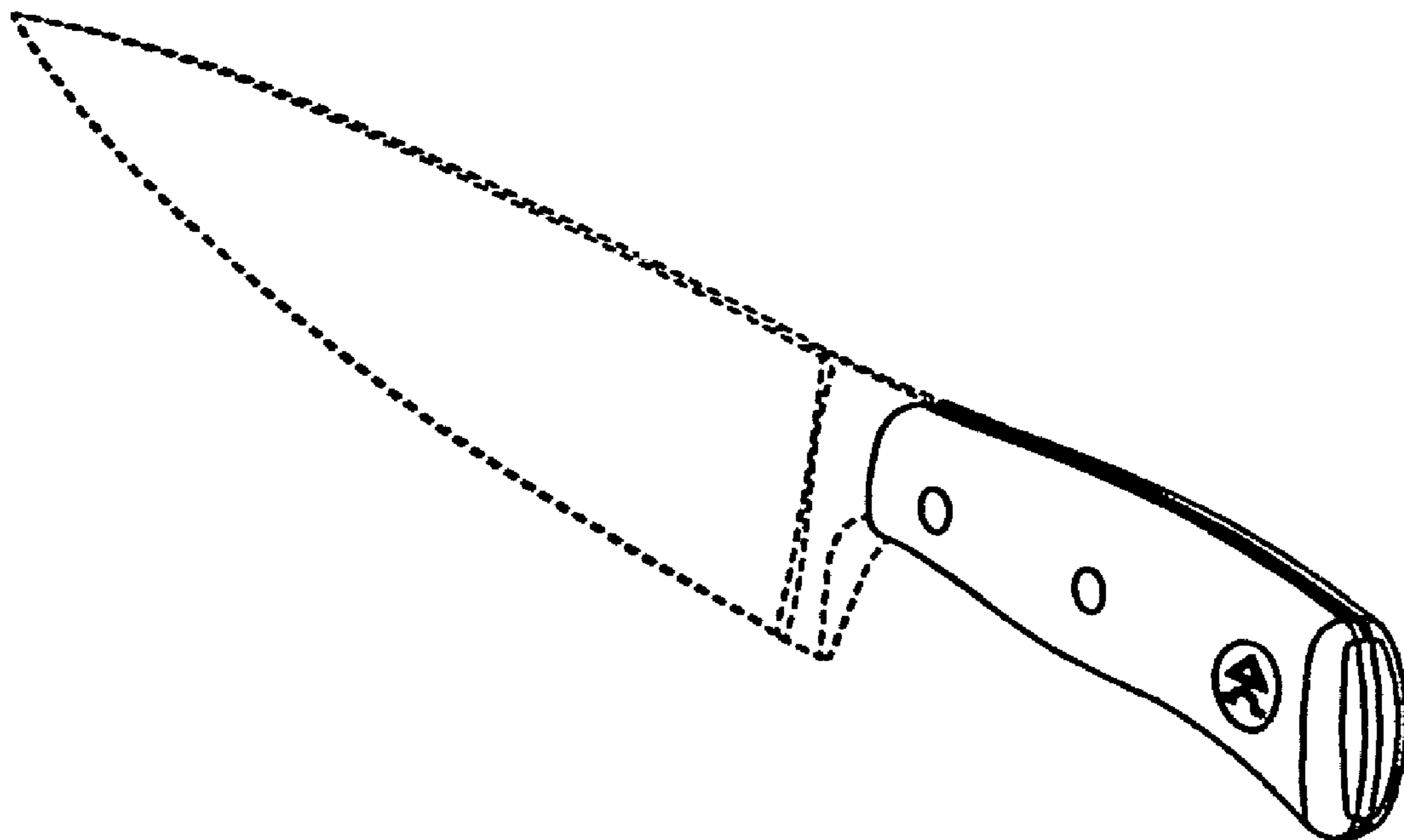
(57) **CLAIM**

The ornamental design for the wedged and curved cutlery handle, as shown and described.

**DESCRIPTION**

FIG. 1 is a left elevational view of my design;  
FIG. 2 is a left top perspective view of my design, the broken lines depicting an exemplary cutlery element as mounted thereto as environmental structure for illustrative purposes only and form no part of the claimed design;  
FIG. 3 is top plan view of my design;  
FIG. 4 is a bottom plan view of my design;  
FIG. 5 is a front elevational view of my design;  
FIG. 6 is a rear elevational view of my design; and,  
FIG. 7 is a right elevational mirror view of my design of FIG. 1, the broken lines depicting an exemplary cutlery element as mounted thereto as environmental structure for illustrative purposes only and form no part of the claimed design.

**1 Claim, 2 Drawing Sheets**



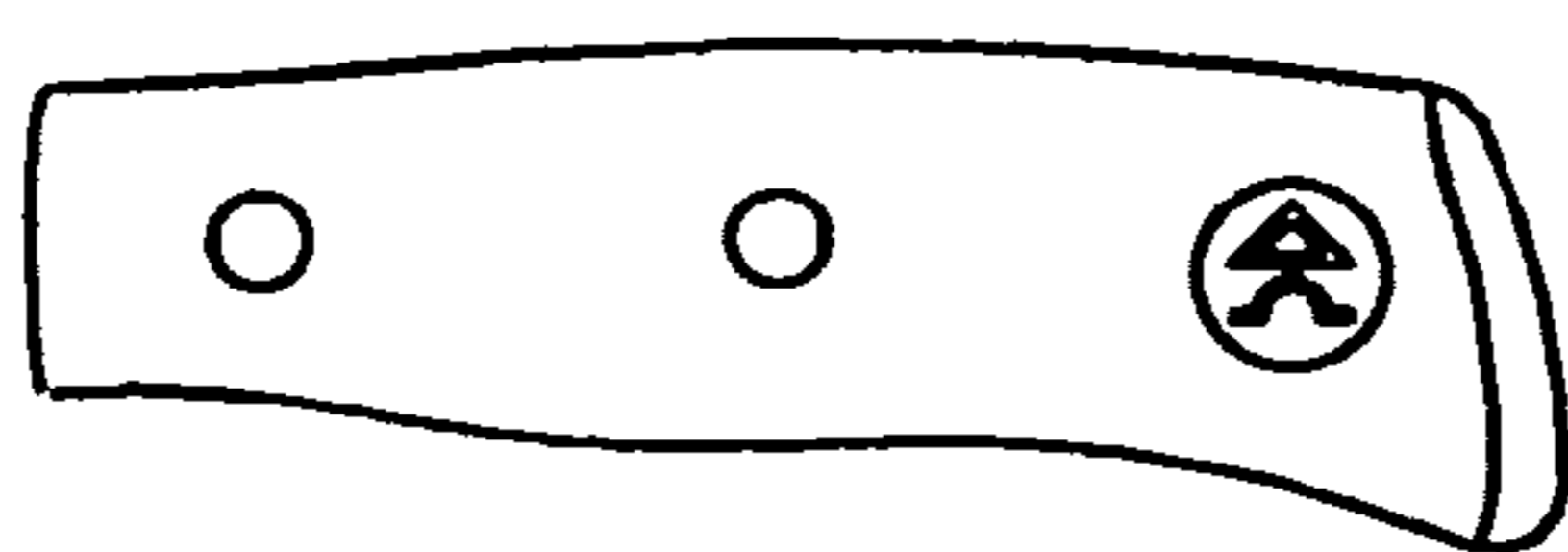


FIG. 1

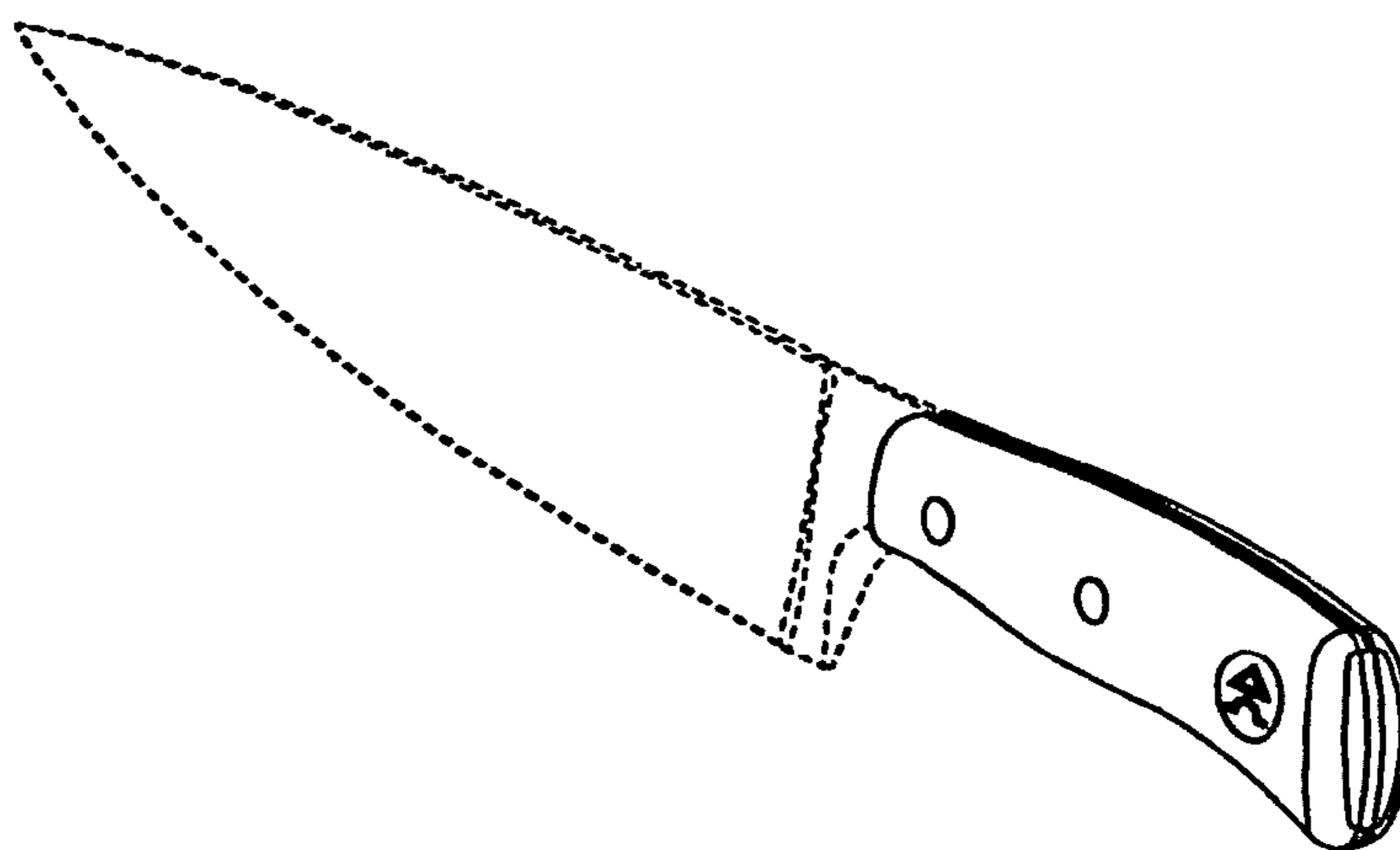


FIG. 2

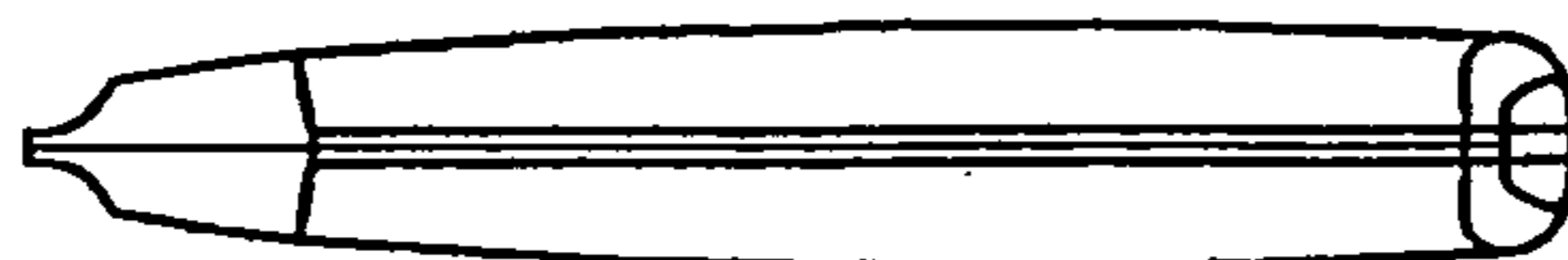


FIG. 3

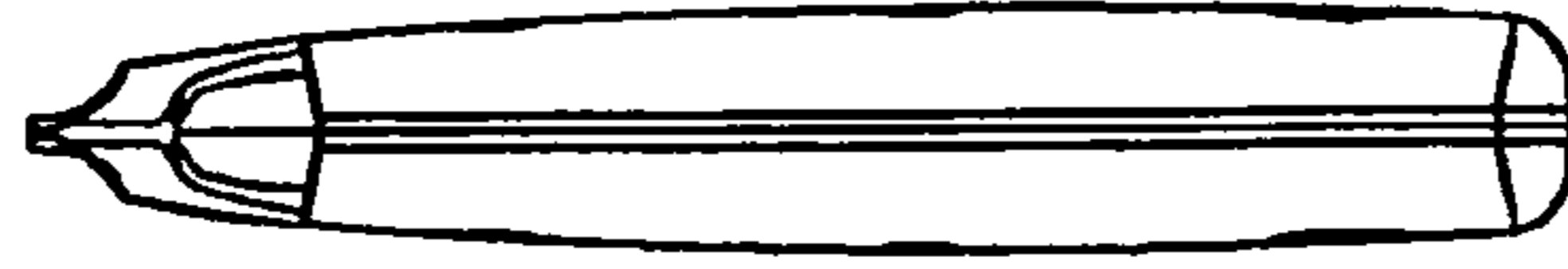


FIG. 4



FIG. 5



FIG. 6

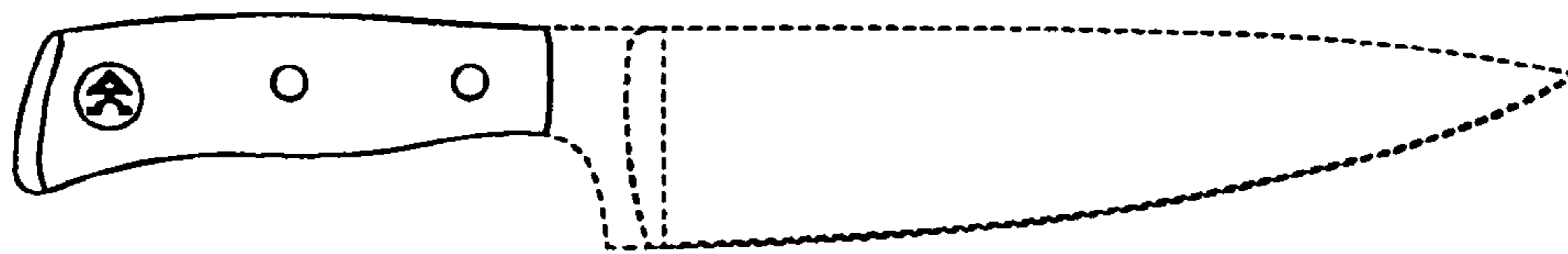


FIG. 7