



US00D688912S

(12) **United States Design Patent**
Rosbach

(10) **Patent No.:** **US D688,912 S**
(45) **Date of Patent:** **** Sep. 3, 2013**

- (54) **WIDE MOUTH FLASK**
- (71) Applicant: **Steel Technology, LLC**, Bend, OR (US)
- (72) Inventor: **Travis R. Rosbach**, Bend, OR (US)
- (73) Assignee: **Steel Technology, LLC**, Bend, OR (US)
- (**) Term: **14 Years**
- (21) Appl. No.: **29/449,102**
- (22) Filed: **Mar. 14, 2013**

- 872,795 A 12/1907 Burger
- 884,567 A 4/1908 Burger
- 884,582 A 4/1908 Henn
- 888,054 A 5/1908 Aschenbrenner
- 888,783 A 5/1908 Burger
- 889,992 A 6/1908 Van Wye
- 900,075 A 10/1908 Altenberg
- 902,528 A 10/1908 Friedrich et al.
- 909,203 A 1/1909 Neuner
- 909,221 A 1/1909 Reed
- 912,986 A 2/1909 Aschenbrenner
- 916,450 A 3/1909 Keller
- 917,816 A 4/1909 Van Wye
- 918,246 A 4/1909 Van Wye

(Continued)

Related U.S. Application Data

- (63) Continuation of application No. 29/401,934, filed on Sep. 17, 2011, now Pat. No. Des. 680,805.
- (51) **LOC (9) Cl.** **07-02**
- (52) **U.S. Cl.**
USPC **D7/392.1**
- (58) **Field of Classification Search**
USPC D7/391, 392, 392.1, 393, 396.2,
D7/509-511, 900; D9/443, 446, 449, 452,
D9/453; 222/480, 507, 546, 548, 553, 565;
220/210, 212.5, 703, 709, 711, 717, 783,
220/780, 788, 792, 793
See application file for complete search history.

OTHER PUBLICATIONS

US Patent and Trademark Office, Design U.S. Appl. No. 29/398,820, filed Aug. 4, 2011, Travis R. Rosbach.
Jan. 15, 2013, Office Action from US Patent and Trademark Office, in U.S. Appl. No. 13/195,123, which is another application of applicant Travis R. Rosbach.

Primary Examiner — Susan E Krakower
(74) *Attorney, Agent, or Firm* — Kolisch Hartwell, P.C.

(57) **CLAIM**
What is claimed is the ornamental design for a wide mouth flask, as shown and described.

(56) **References Cited**

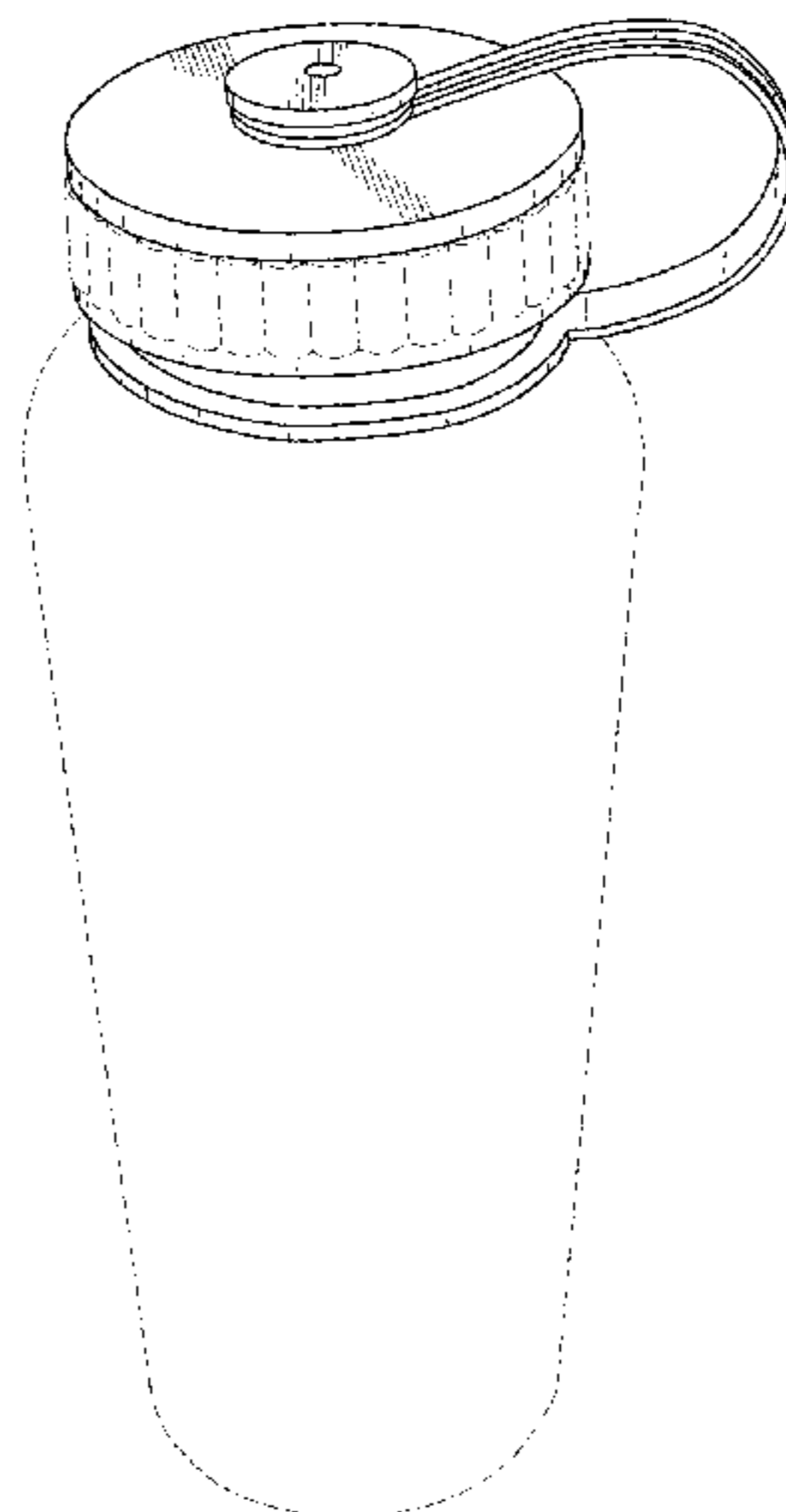
U.S. PATENT DOCUMENTS

- 122,821 A 1/1872 Faxon
- 190,895 A 5/1877 Parker
- 200,065 A 2/1878 Kloczewski et al.
- 211,092 A 1/1879 Heath
- 225,440 A 3/1880 Vasseur
- 242,471 A 6/1881 Newton
- 415,428 A 11/1889 Wolf
- 533,390 A 1/1895 Grove
- 544,791 A 8/1895 Nicholson et al.
- 820,347 A 5/1906 Burger et al.
- 866,216 A 9/1907 Pine

DESCRIPTION

FIG. 1 is a side view of a wide mouth flask showing my new design;
FIG. 2 is a front view thereof.
FIG. 3 is a back view thereof.
FIG. 4 is a top plan view thereof.
FIG. 5 is a bottom plan view thereof; and,
FIG. 6 is a top perspective view thereof.
The broken lines illustrate portions of the wide mouth flask which form no part of the claimed design.

1 Claim, 3 Drawing Sheets



(56)

References Cited

U.S. PATENT DOCUMENTS							
918,503	A	4/1909	Burger	4,811,858	A	3/1989	Augur
919,517	A	4/1909	Anacker	4,856,174	A	8/1989	Ishizaki et al.
922,125	A	5/1909	Friedrich	D321,624	S *	11/1991	Fiore et al. D7/321
922,174	A	5/1909	Lyman	D324,822	S *	3/1992	Brabeck et al. D9/560
922,363	A	5/1909	Van Wye	5,168,793	A	12/1992	Padamsee
923,236	A	6/1909	Altenberg	D339,503	S *	9/1993	Callaway D7/510
923,791	A	6/1909	Henn	D342,449	S	12/1993	Mattheis
924,138	A	6/1909	Boehm	D346,801	S	5/1994	Traina
929,422	A	7/1909	Gumbert	5,361,604	A	11/1994	Pier et al.
930,219	A	8/1909	Paalen	5,435,452	A	7/1995	Nishigami et al.
941,769	A	11/1909	Durand, Jr.	5,518,138	A	5/1996	Boffito et al.
RE13,093	E	3/1910	Burger et al.	5,573,140	A	11/1996	Satomi et al.
950,557	A	3/1910	Paalen	5,634,256	A	6/1997	Fritschi
956,395	A	4/1910	Miller	5,693,283	A	12/1997	Fehn
957,809	A	5/1910	Steel	5,699,841	A	12/1997	Takagawa
991,409	A	5/1911	Altenberg et al.	D391,448	S *	3/1998	Winer et al. D7/510
991,410	A	5/1911	Altenberg et al.	D403,426	S	12/1998	Fiaschetti
1,004,926	A	10/1911	Steel	5,904,267	A	5/1999	Thompson
1,005,087	A	10/1911	Van Wye	D412,640	S	8/1999	Much
1,021,058	A	3/1912	Machlett	5,946,936	A	9/1999	Bengston
1,029,827	A	6/1912	Schuyler	5,968,616	A	10/1999	Kakemura et al.
1,031,692	A	7/1912	Daggett et al.	6,003,718	A	12/1999	Lu
1,035,522	A	8/1912	Boehm	D422,503	S	4/2000	Lehn
1,056,971	A	3/1913	Coleman	6,066,299	A	5/2000	Lodge
1,360,863	A	11/1920	Andrews	6,119,899	A	9/2000	Fujii et al.
1,421,325	A	6/1922	Walker et al.	6,123,196	A	9/2000	Chiu
1,431,189	A	10/1922	Smith	6,243,936	B1	6/2001	Biesecker et al.
1,462,334	A	7/1923	Gross	6,273,306	B1	8/2001	Takagawa
1,473,814	A	11/1923	Durand, Jr.	6,371,328	B1	4/2002	Yamada et al.
1,607,071	A	11/1926	Gleason	6,386,431	B1	5/2002	Lin
1,673,653	A	6/1928	Wagner	6,394,322	B1	5/2002	Sekiya et al.
1,690,880	A	11/1928	Schmidt	6,505,752	B1	1/2003	Rolfes et al.
1,712,228	A	5/1929	Payson et al.	6,528,105	B1	3/2003	Gerhart et al.
1,760,321	A	5/1930	Seigheim	6,626,326	B2	9/2003	Murakami
1,970,120	A	8/1934	Badger	6,641,854	B2	11/2003	Gerhart et al.
2,055,096	A	9/1936	Dehn et al.	D484,061	S	12/2003	Quinn
2,057,969	A	10/1936	Payson et al.	6,736,295	B2	5/2004	Lin et al.
2,070,672	A	2/1937	Moczala	D508,185	S	8/2005	Gauss
2,106,122	A	1/1938	McGowan	D519,380	S	4/2006	Leoncavallo et al.
2,144,820	A	1/1939	Thomas	D528,910	S	9/2006	Kingsley
2,462,349	A	2/1949	Battilani	D528,921	S	9/2006	Leoncavallo et al.
2,504,916	A	4/1950	Zolot	7,140,519	B1	11/2006	Kiser
2,620,945	A	12/1952	Becker	D536,929	S	2/2007	Kingsley
2,714,296	A	8/1955	Scavullo	D537,676	S *	3/2007	Kingsley D7/510
3,017,047	A	1/1962	Payson et al.	D543,454	S	5/2007	Leoncavallo et al.
3,110,408	A	11/1963	Bramming	D549,048	S *	8/2007	Duke et al. D7/510
3,144,160	A	8/1964	Johnson et al.	7,284,674	B2	10/2007	Ueda et al.
3,351,224	A	11/1967	Anderson	7,284,677	B2	10/2007	Guevara
D221,886	S *	9/1971	Gruett D15/150	D572,078	S	7/2008	Bhavnani
3,603,106	A	9/1971	Ryan	D580,227	S	11/2008	Roth et al.
3,715,895	A	2/1973	Devlin	7,464,637	B1	12/2008	Lin
3,733,771	A	5/1973	McGowen	D586,184	S	2/2009	Miller et al.
3,776,433	A	12/1973	De Treitas	D604,561	S	11/2009	Chisholm
3,809,275	A	5/1974	Ek	D614,440	S	4/2010	Cresswell et al.
3,810,557	A	5/1974	Cline	D614,918	S	5/2010	Chisholm
3,813,757	A	6/1974	Bell	D615,360	S	5/2010	Joy et al.
3,844,450	A	10/1974	Johnson	D616,743	S	6/2010	Cresswell et al.
3,845,873	A	11/1974	Bridges	D619,417	S	7/2010	Goto et al.
3,933,263	A	1/1976	Frew et al.	D620,798	S	8/2010	Cresswell et al.
4,006,835	A	2/1977	Cummings	D624,362	S	9/2010	Wahl
4,138,027	A	2/1979	Frye et al.	7,797,807	B2	9/2010	Ueda et al.
4,151,923	A	5/1979	Bernardi	D625,561	S	10/2010	Ablo
4,157,779	A	6/1979	Ishii et al.	D632,521	S *	2/2011	Wahl D7/392.1
4,184,601	A	1/1980	Stewart et al.	D632,524	S	2/2011	Rosbach et al.
4,198,993	A	4/1980	Martin et al.	D633,338	S	3/2011	Rosbach et al.
4,200,199	A	4/1980	Perkins et al.	D638,658	S *	5/2011	Staton D7/392
4,301,942	A	11/1981	Kupperman et al.	D644,489	S	9/2011	Trombly
4,320,856	A	3/1982	Stewart et al.	D648,215	S	11/2011	Rigling et al.
4,451,512	A	5/1984	Yazaki et al.	D650,629	S	12/2011	Gilbert
D278,888	S *	5/1985	Plumb D9/449	D651,044	S	12/2011	Gilbert
4,595,437	A	6/1986	Yamamoto	D654,793	S	2/2012	Rosbach
4,625,884	A	12/1986	Zimmerman	D676,318	S *	2/2013	MacNeill et al. D9/446
4,630,742	A	12/1986	Miyaji et al.	D680,805	S *	4/2013	Rosbach D7/392.1
4,658,973	A	4/1987	Zimmerman	8,430,259	B2 *	4/2013	Martinez et al. 220/203.11
4,754,888	A	7/1988	Letsch et al.	2002/0008113	A1	1/2002	Fujii et al.
				2002/0088810	A1	7/2002	Murakami
				2003/0189054	A1	10/2003	Watanabe et al.
				2003/0209563	A1	11/2003	Lin et al.
				2004/0217139	A1	11/2004	Roth et al.

US D688,912 S

Page 3

2005/0284835 A1 12/2005 McKendry et al.
2007/0295684 A1 12/2007 Fujii et al.
2008/0006598 A1 1/2008 Fujii et al.
2009/0045194 A1 2/2009 Rhee

2009/0308878 A1 12/2009 Rosskelly
2013/0032564 A1 2/2013 Rosbach

* cited by examiner

FIG. 1

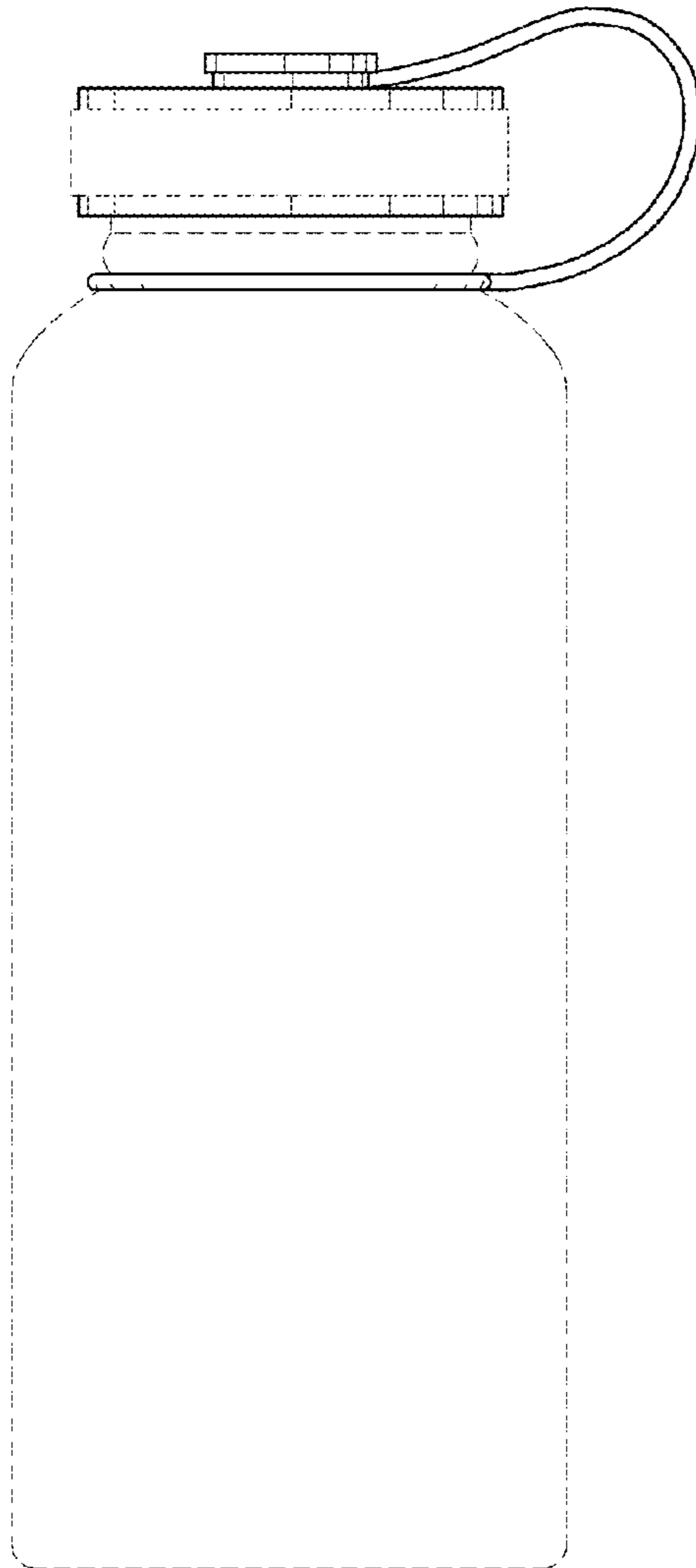


FIG. 2



FIG. 3

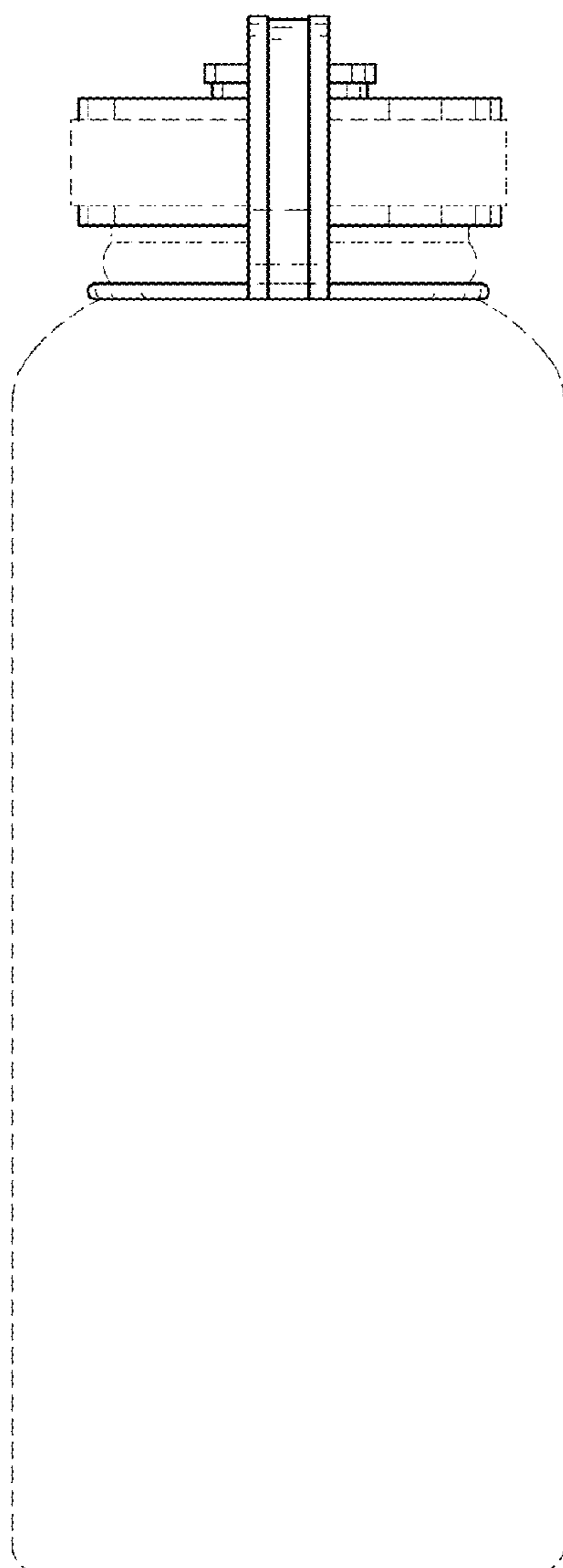


FIG. 4

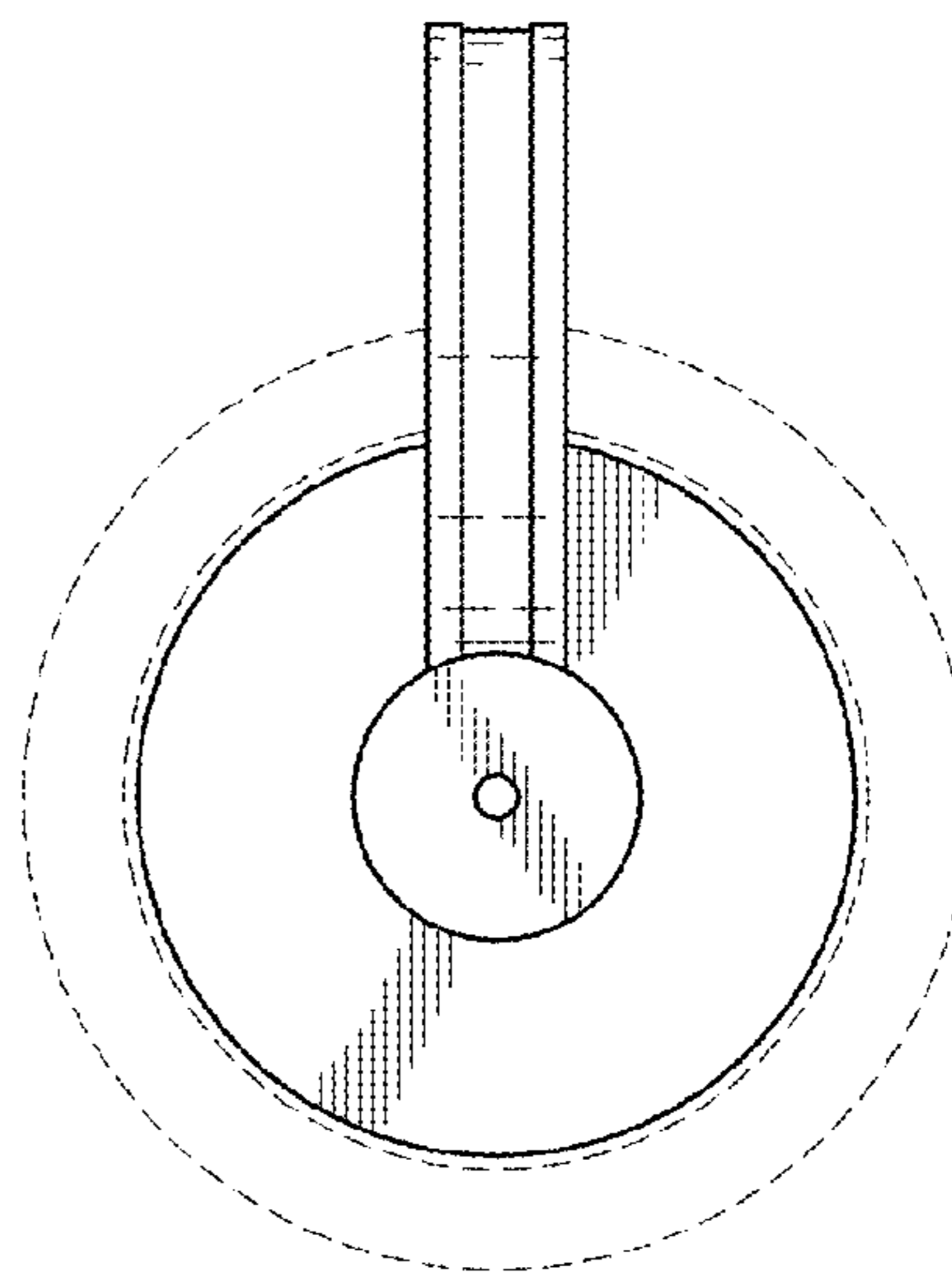


FIG. 5

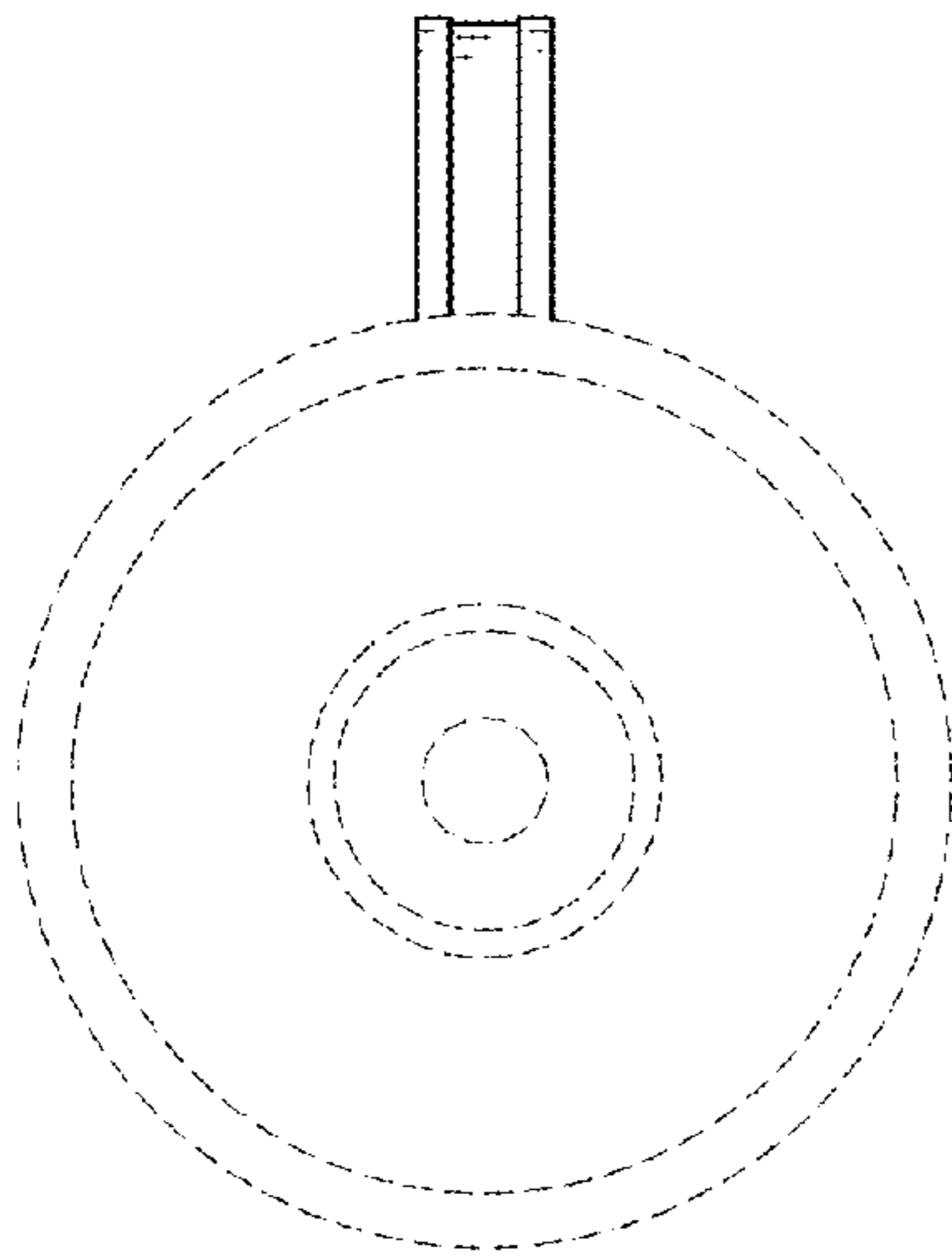


FIG. 6

