



US00D688911S

(12) **United States Design Patent**  
**Chiarini**

(10) **Patent No.:** **US D688,911 S**  
(45) **Date of Patent:** **\*\* Sep. 3, 2013**

(54) **FOOD PROCESSOR**

(71) Applicant: **Elettroplastica S.P.A.**, Travagliato (IT)

(72) Inventor: **Renato Chiarini**, Travagliato (IT)

(73) Assignee: **Elettroplastica S.p.A.**, Travagliato (BS)  
(IT)

(\*\*) Term: **14 Years**

(21) Appl. No.: **29/440,314**

(22) Filed: **Dec. 20, 2012**

(30) **Foreign Application Priority Data**

Jul. 4, 2012 (EM) ..... 002068403-0001

(51) **LOC (9) Cl.** ..... **31-00**

(52) **U.S. Cl.**  
USPC ..... **D7/384; D7/376; D7/378**

(58) **Field of Classification Search**

USPC ..... D7/301-313, 316-326, 356-357,  
D7/368, 372-386, 391-398, 412-415, 503,  
D7/515, 665, 679, 691-693; D30/122; 99/326,  
99/348, 492-495, 508-512; 241/30-37.5,  
241/91-92, 101.01-101.2, 166-169.1, 172,  
241/199.12, 272, 285.1-285.3, 291, 292.1;  
366/64-67, 98, 129, 142-144, 192-211,  
366/241-254, 262, 279-292, 325.8, 325.92,  
366/341-347; 416/75-77, 70 R, 163

See application file for complete search history.

(56) **References Cited**

U.S. PATENT DOCUMENTS

D251,231	S	*	3/1979	Hashimoto	.....	D7/384
D256,087	S	*	7/1980	Minami	.....	D7/384
D445,299	S	*	7/2001	Spagnolo et al.	.....	D7/384
D502,047	S	*	2/2005	Ledingham et al.	.....	D7/384
6,971,597	B2	*	12/2005	Starr	.....	241/92
7,159,808	B2	*	1/2007	Starr	.....	241/92
D580,216	S	*	11/2008	Ryan	.....	D7/384
D625,143	S	*	10/2010	Moore et al.	.....	D7/384
D638,653	S	*	5/2011	Borin	.....	D7/326
D641,197	S	*	7/2011	Borin	.....	D7/326
D644,480	S	*	9/2011	Czach et al.	.....	D7/384
D664,304	S	*	7/2012	Whelan	.....	D30/122
2002/0027175	A1	*	3/2002	Capp	.....	241/199.12

\* cited by examiner

*Primary Examiner* — Ricky Pham

(74) *Attorney, Agent, or Firm* — Volpe and Koenig, P.C.

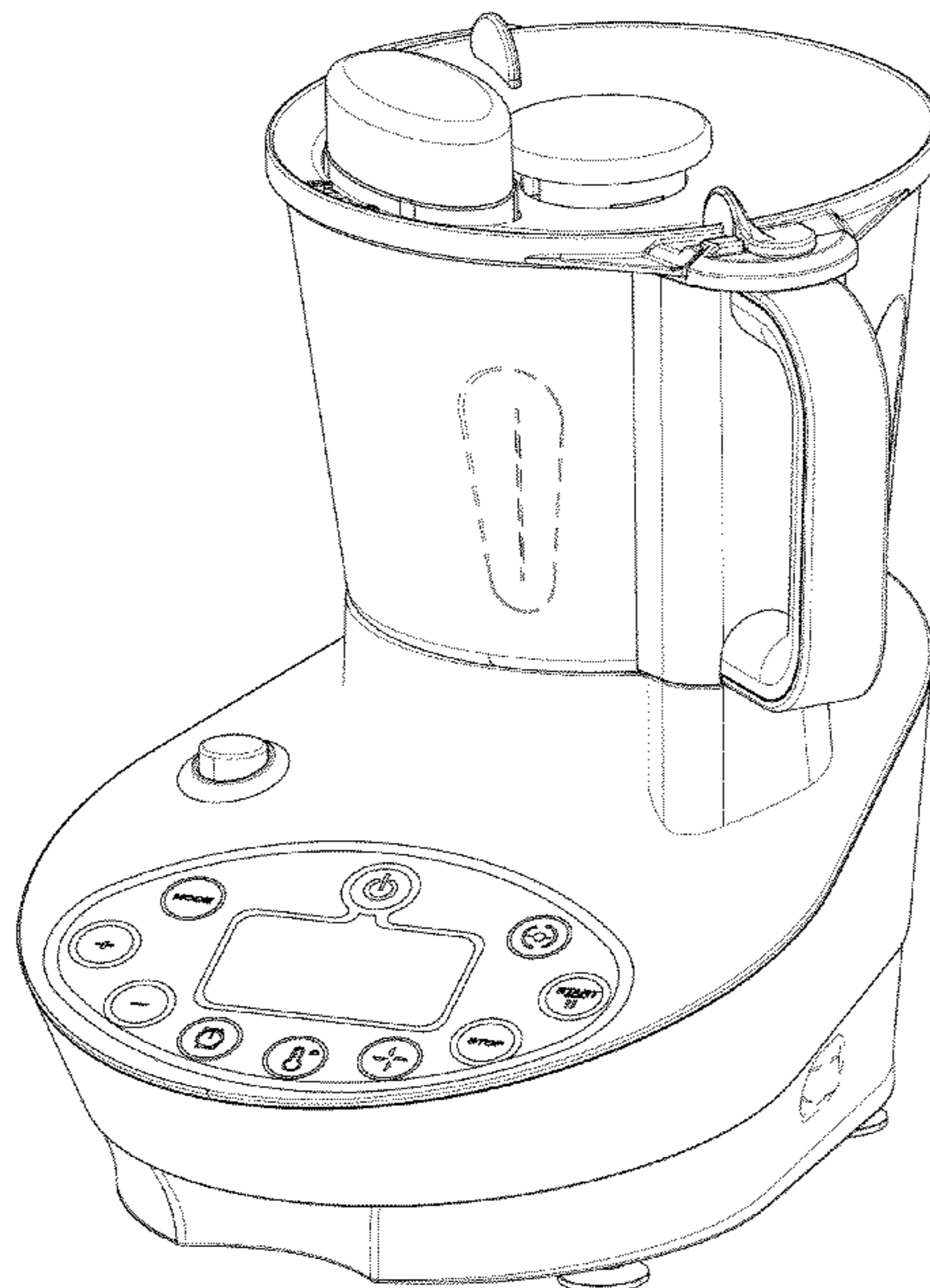
(57) **CLAIM**

The ornamental design for food processor, as shown and described.

**DESCRIPTION**

FIG. 1 is a front perspective view of the food processor of my design;  
FIG. 2 is a right side elevation view of the food processor of FIG. 1;  
FIG. 3 is a left side elevation view of the food processor of FIG. 1;  
FIG. 4 is a front view of the food processor of FIG. 1;  
FIG. 5 is a rear view of the food processor of FIG. 1;  
FIG. 6 is a top plan view of the food processor of FIG. 1; and,  
FIG. 7 is a bottom plan view of the food processor of FIG. 1.  
The broken lines in the figures illustrate environment only and form no part of the claimed design.

**1 Claim, 7 Drawing Sheets**



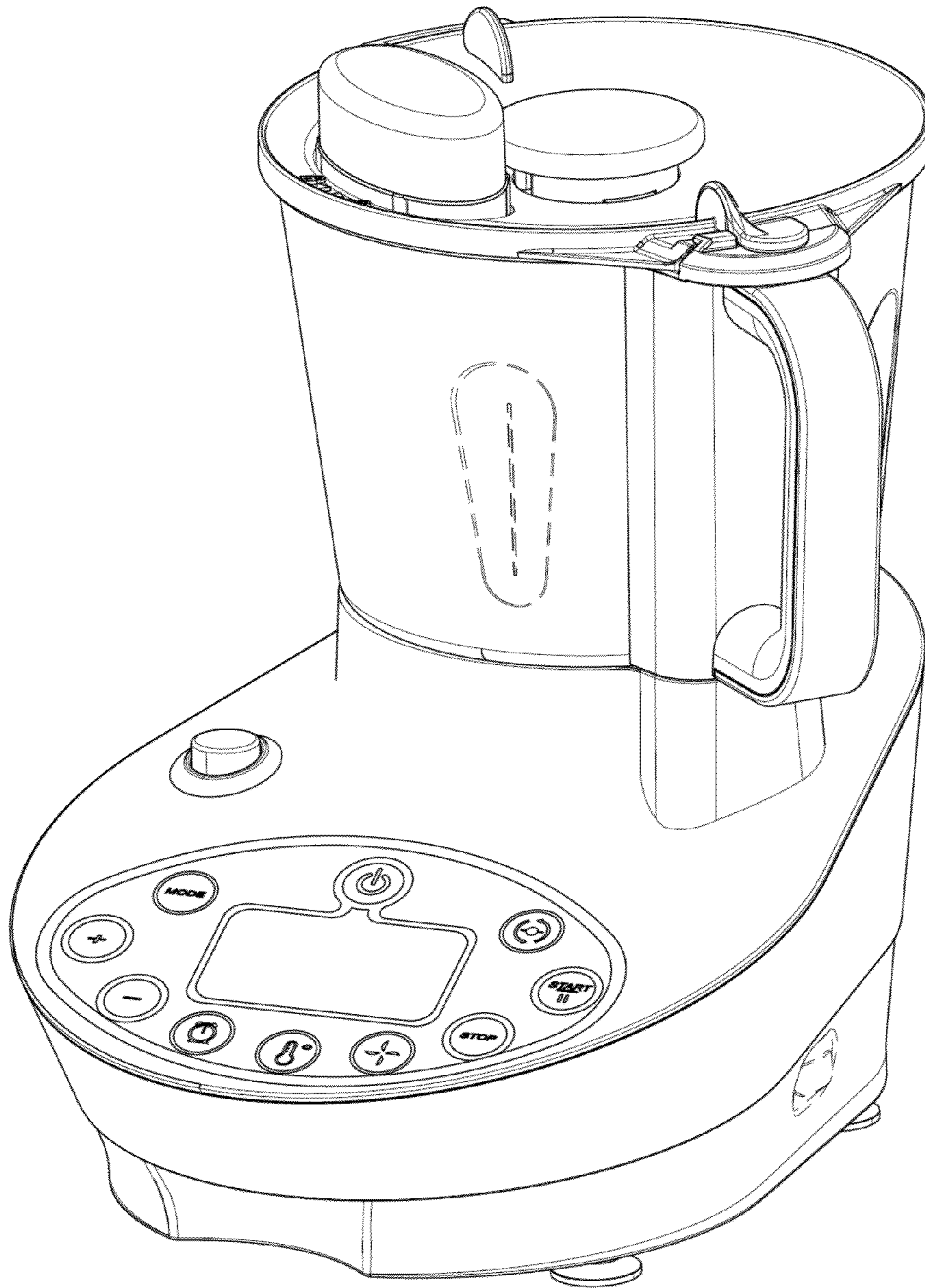


FIG. 1

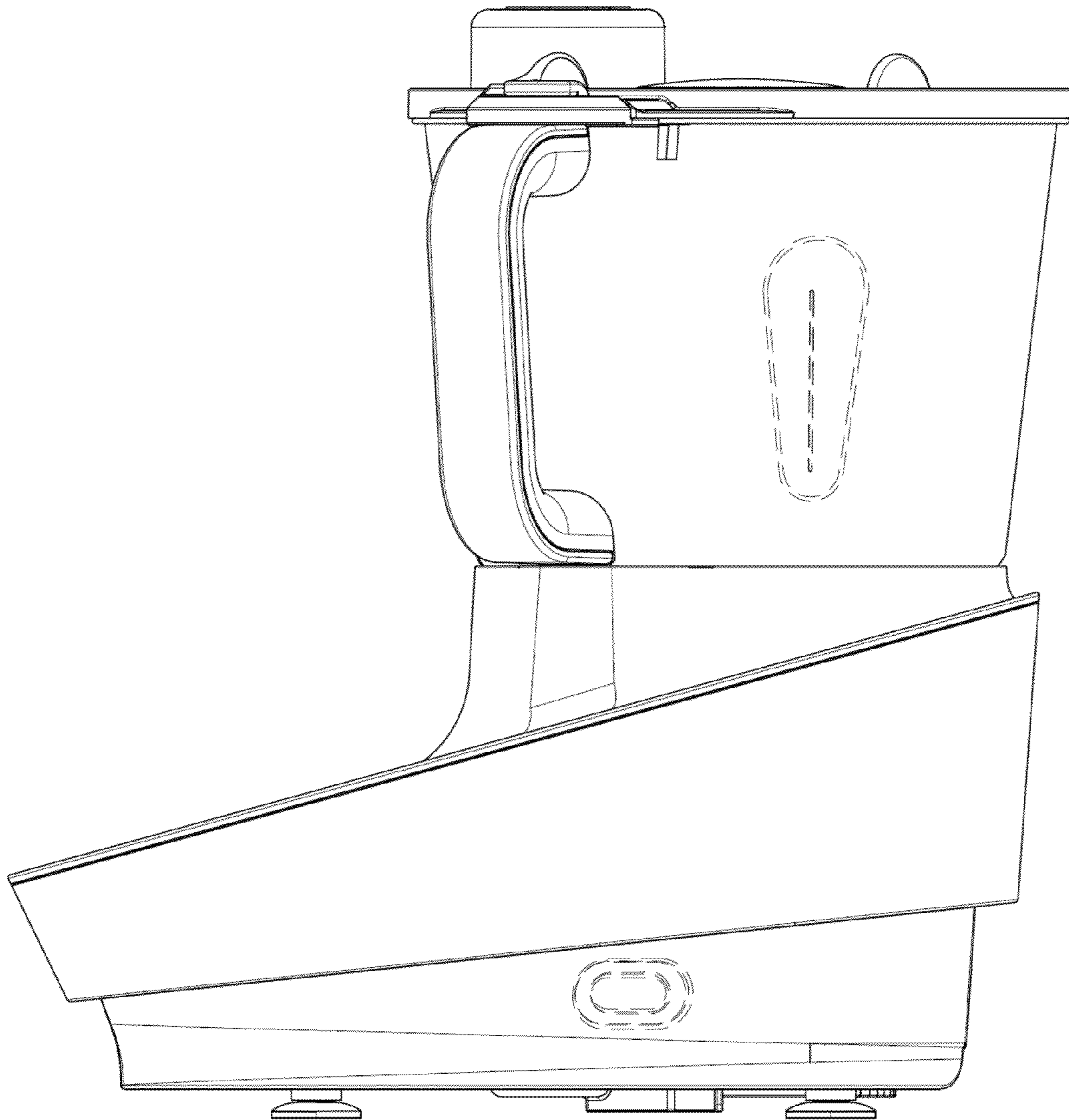


FIG. 2

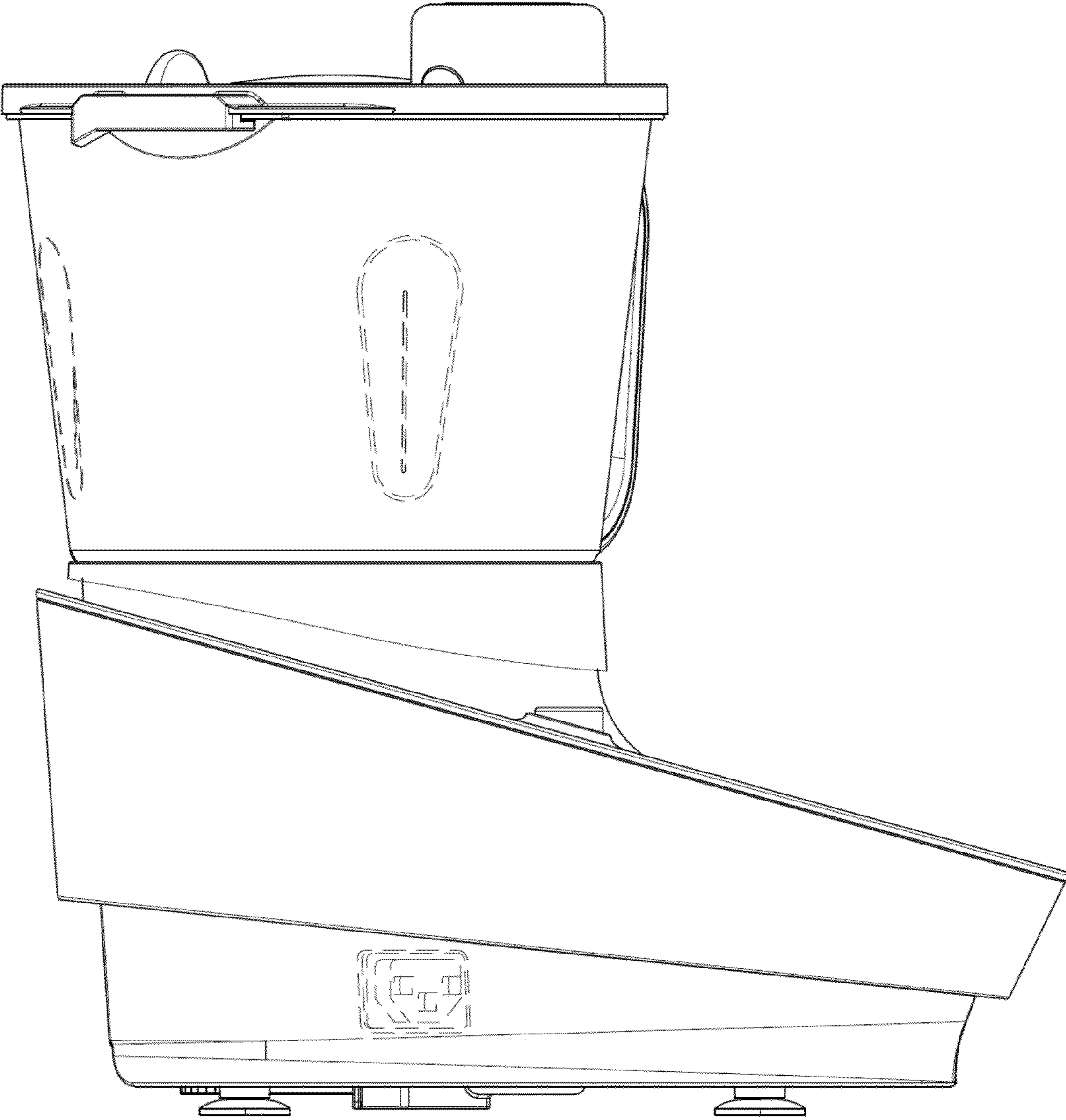


FIG. 3

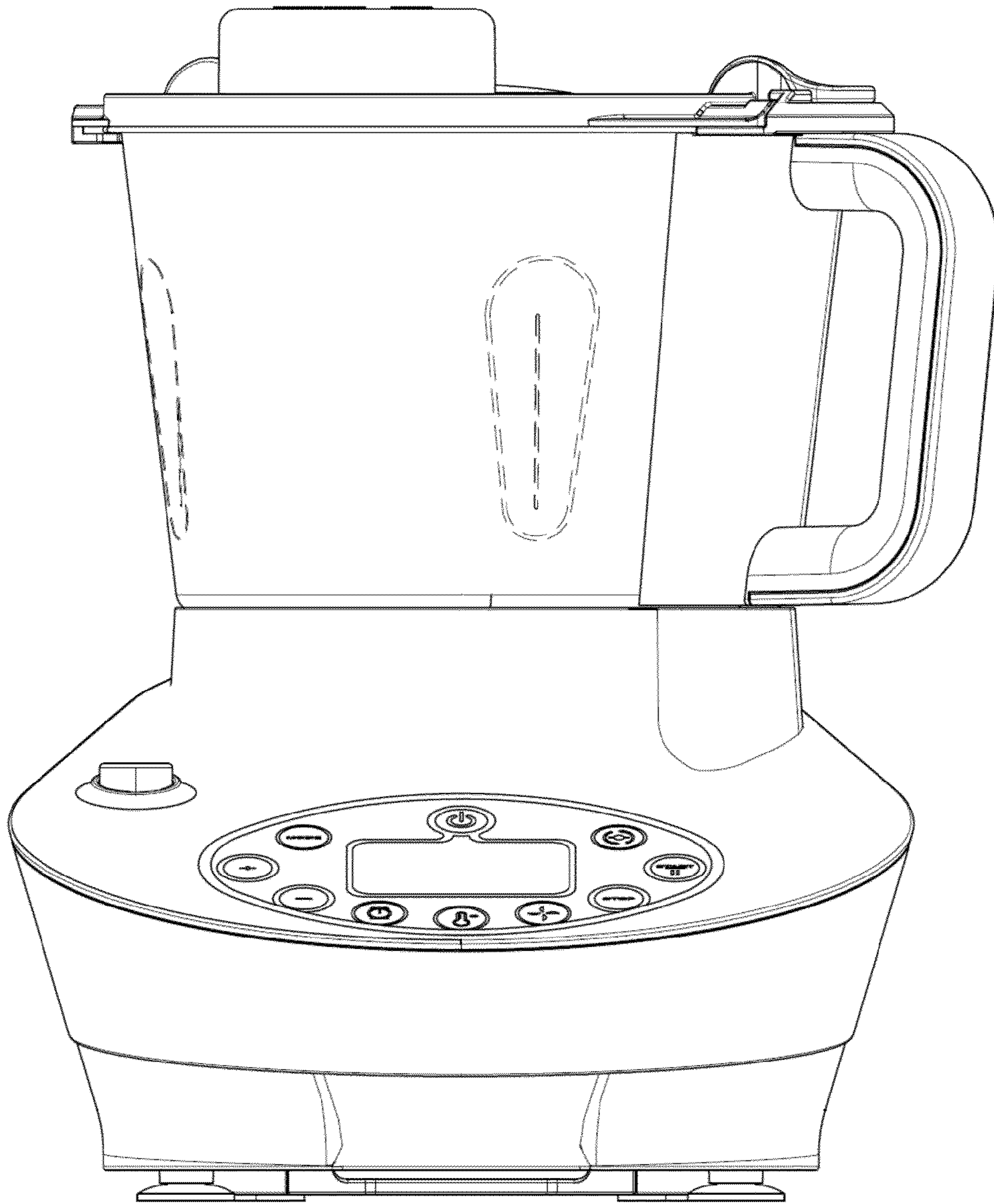


FIG. 4

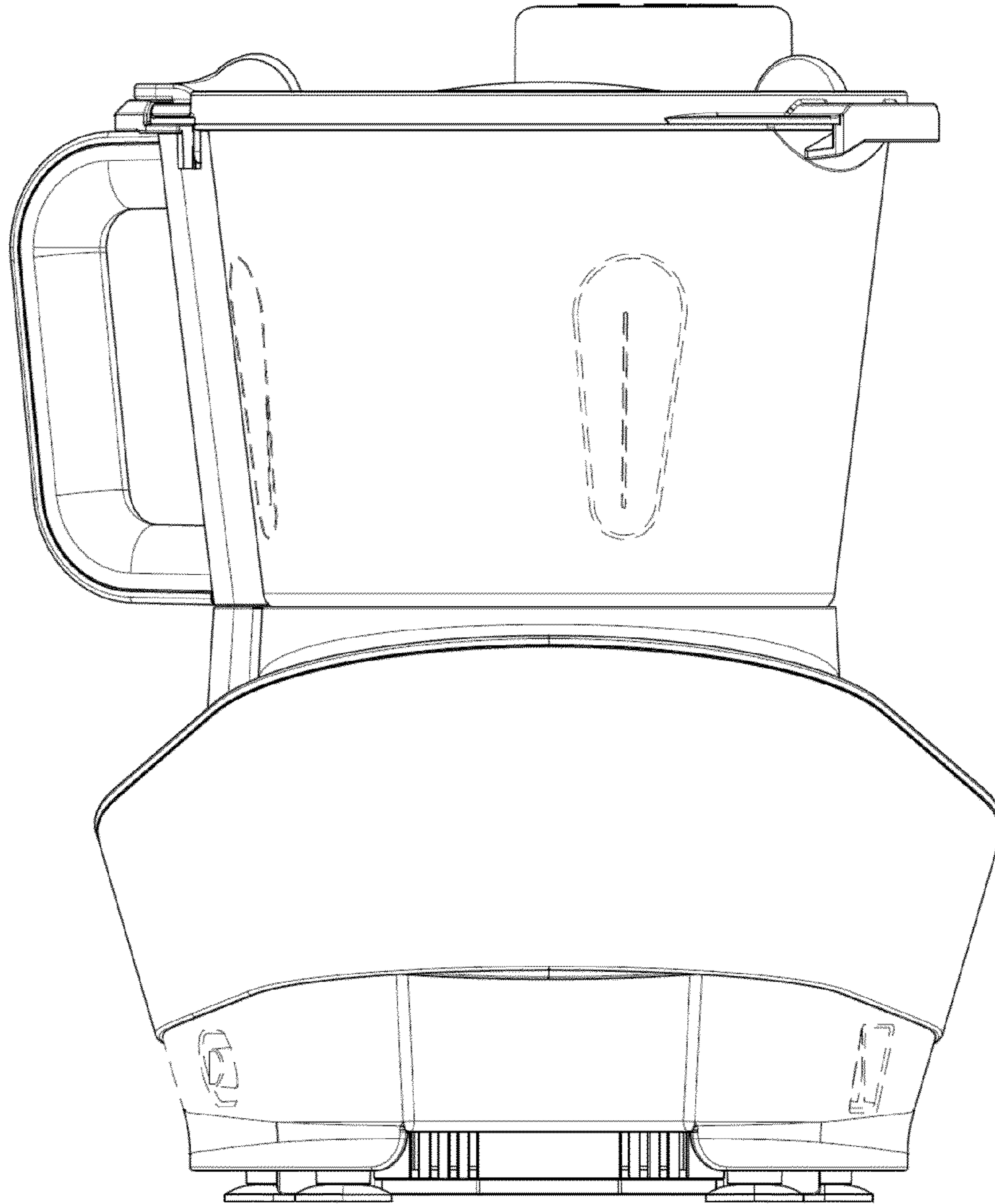


FIG. 5

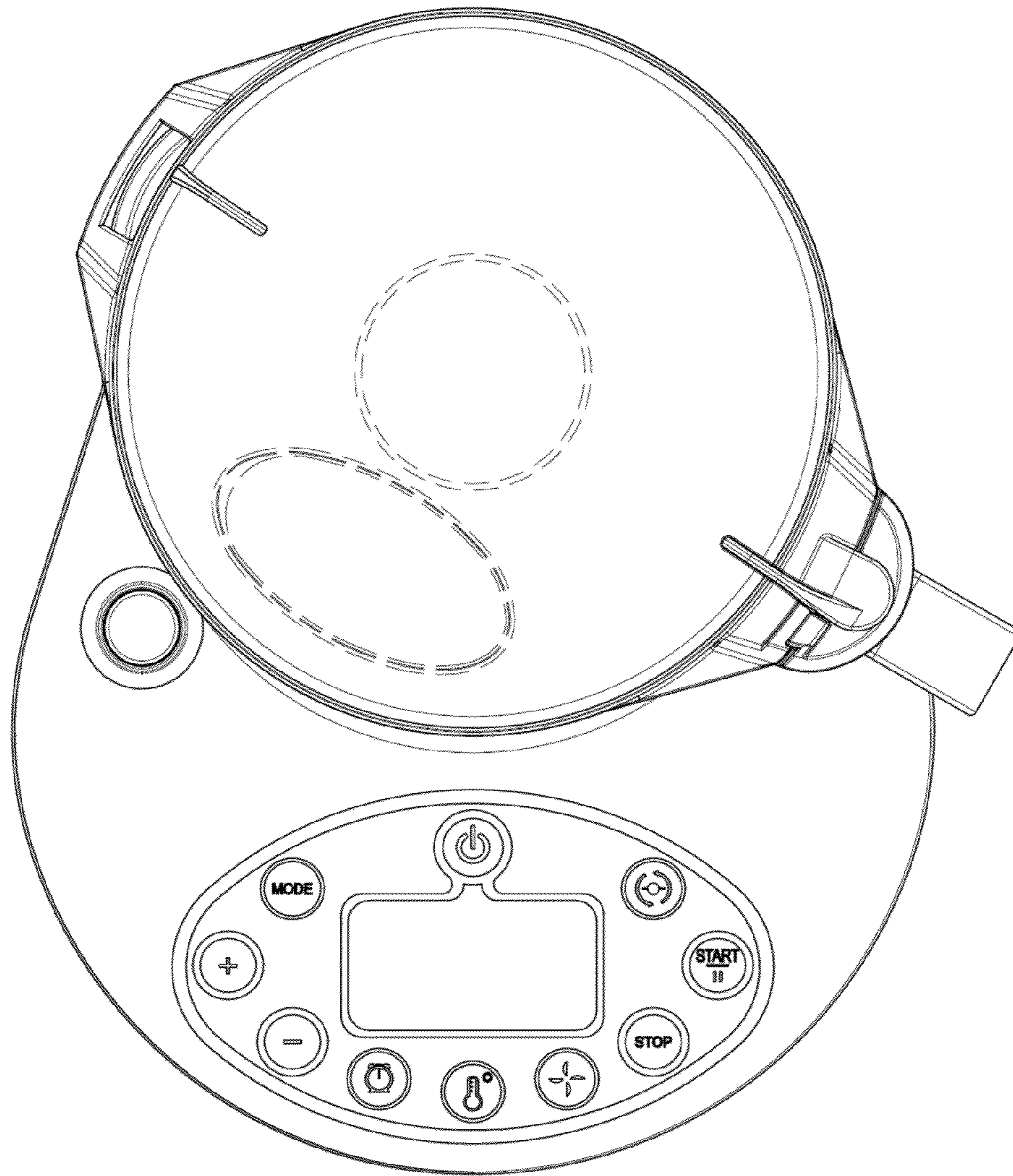


FIG. 6

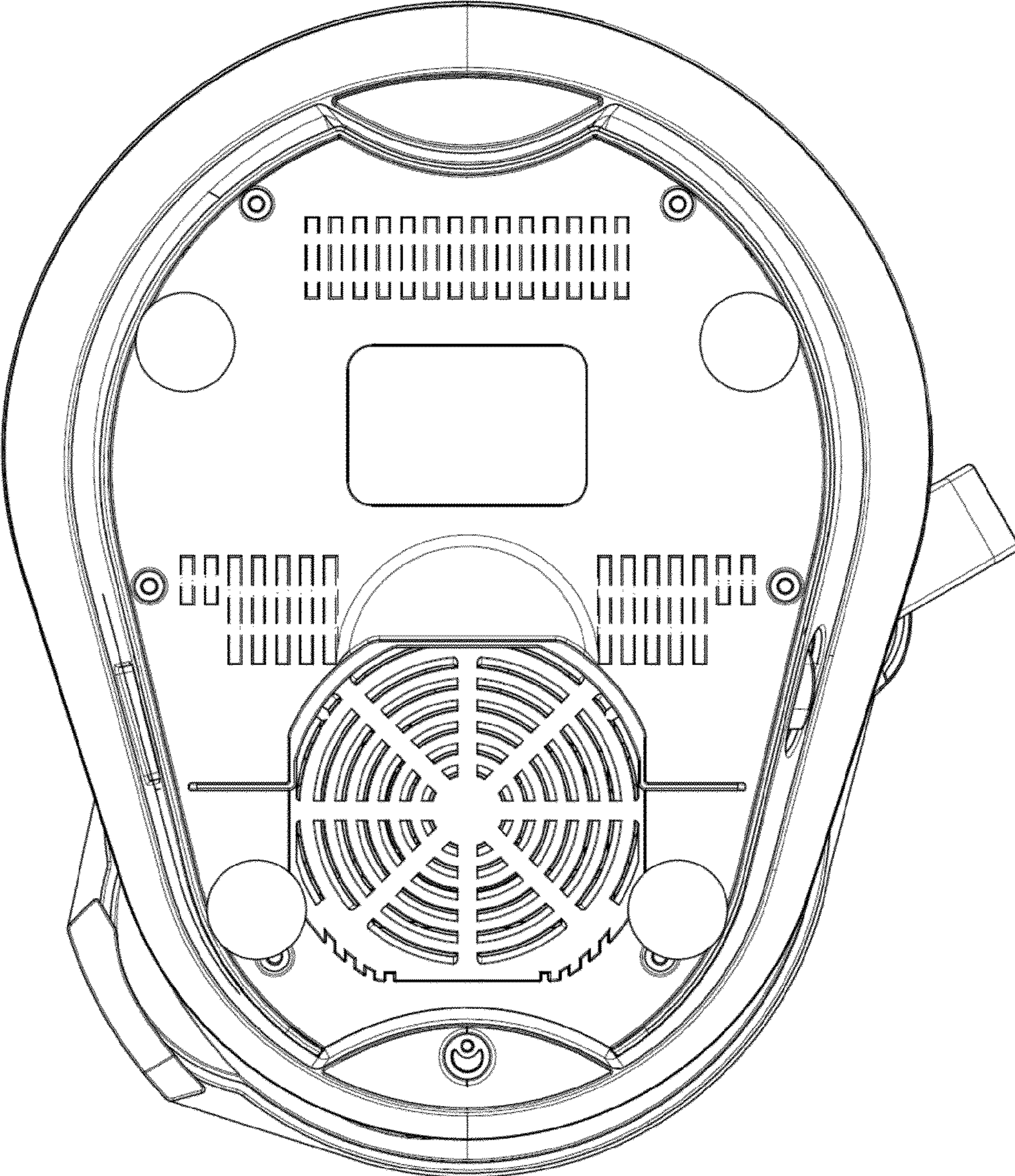


FIG. 7