



US00D688909S

(12) **United States Design Patent**
Chapman et al.

(10) **Patent No.:** **US D688,909 S**

(45) **Date of Patent:** **** Sep. 3, 2013**

(54) **ICE TEA PITCHER**

(75) Inventors: **Dean B. Chapman**, New York, NY
(US); **Matthew L. Chin**, New York, NY
(US); **Sung N. Truong**, Brooklyn, NY
(US)

(73) Assignee: **Capital Products LLC**, New York, NY
(US)

(**) Term: **14 Years**

(21) Appl. No.: **29/413,852**

(22) Filed: **Feb. 21, 2012**

(51) **LOC (9) Cl.** **07-01**

(52) **U.S. Cl.**
USPC **D7/318; D7/317**

(58) **Field of Classification Search**
USPC D7/316-319, 600, 598; 210/85,
210/251; 222/465.1; 215/12.1
See application file for complete search history.

(56) **References Cited**

U.S. PATENT DOCUMENTS

D445,628 S *	7/2001	McGroary	D7/318
D475,233 S *	6/2003	De Visser	D7/317
D498,384 S *	11/2004	McWilliam	D7/319
7,438,799 B2 *	10/2008	Vandenbelt et al.	210/85
D630,894 S *	1/2011	Harris et al.	D7/397
D636,627 S *	4/2011	Harris et al.	D7/319

D638,246 S *	5/2011	Harris et al.	D7/316
D639,102 S *	6/2011	Harris et al.	D7/319
8,128,820 B2 *	3/2012	Wu	210/251
D669,296 S *	10/2012	Lane et al.	D7/319
D675,861 S *	2/2013	Gray	D7/318

* cited by examiner

Primary Examiner — Marianne Pandozzi

(74) *Attorney, Agent, or Firm* — Klauber & Jackson LLC

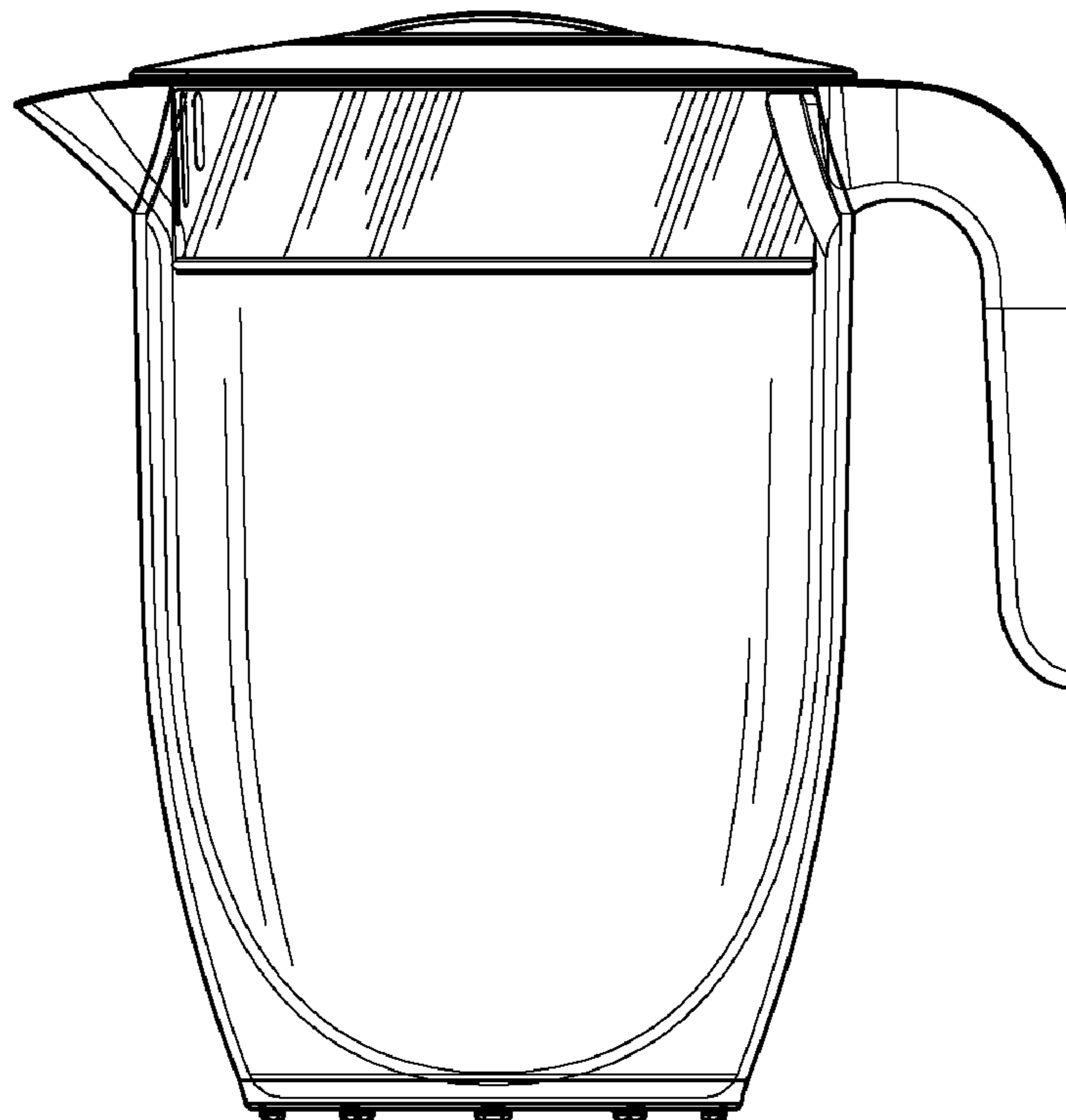
(57) **CLAIM**

The ornamental design for an ice tea pitcher, as shown and described.

DESCRIPTION

FIG. 1 is a front view of the ice tea pitcher of our new design; FIG. 2 is a left side view thereof, the right side view being the mirror image thereof; FIG. 3 is a rear view thereof; FIG. 4 is a bottom view thereof; FIG. 5 is a top view thereof; FIG. 6 is an exploded upper perspective view showing the top, front and right side of the ice tea pitcher, with the top displaced vertically above the rest of the pitcher; and FIG. 7 is an exploded upper perspective view similar to that of FIG. 6, showing the top, rear and left side of the ice tea pitcher of our new design; and, FIG. 8 is an exploded right side sectional view taken along line 8-8 of FIG. 6 of the ice tea pitcher of our new design.

1 Claim, 4 Drawing Sheets



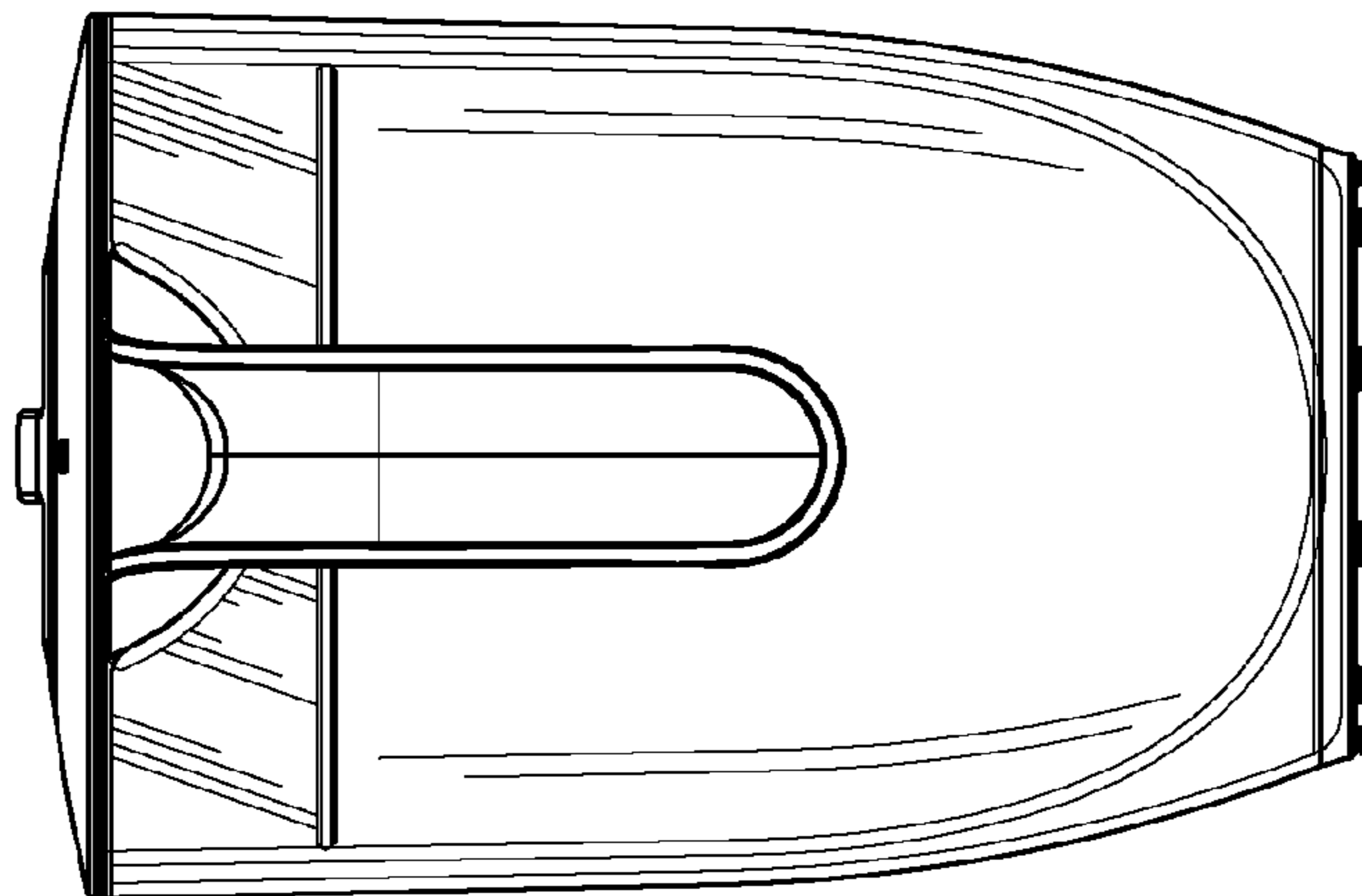


Fig. 3

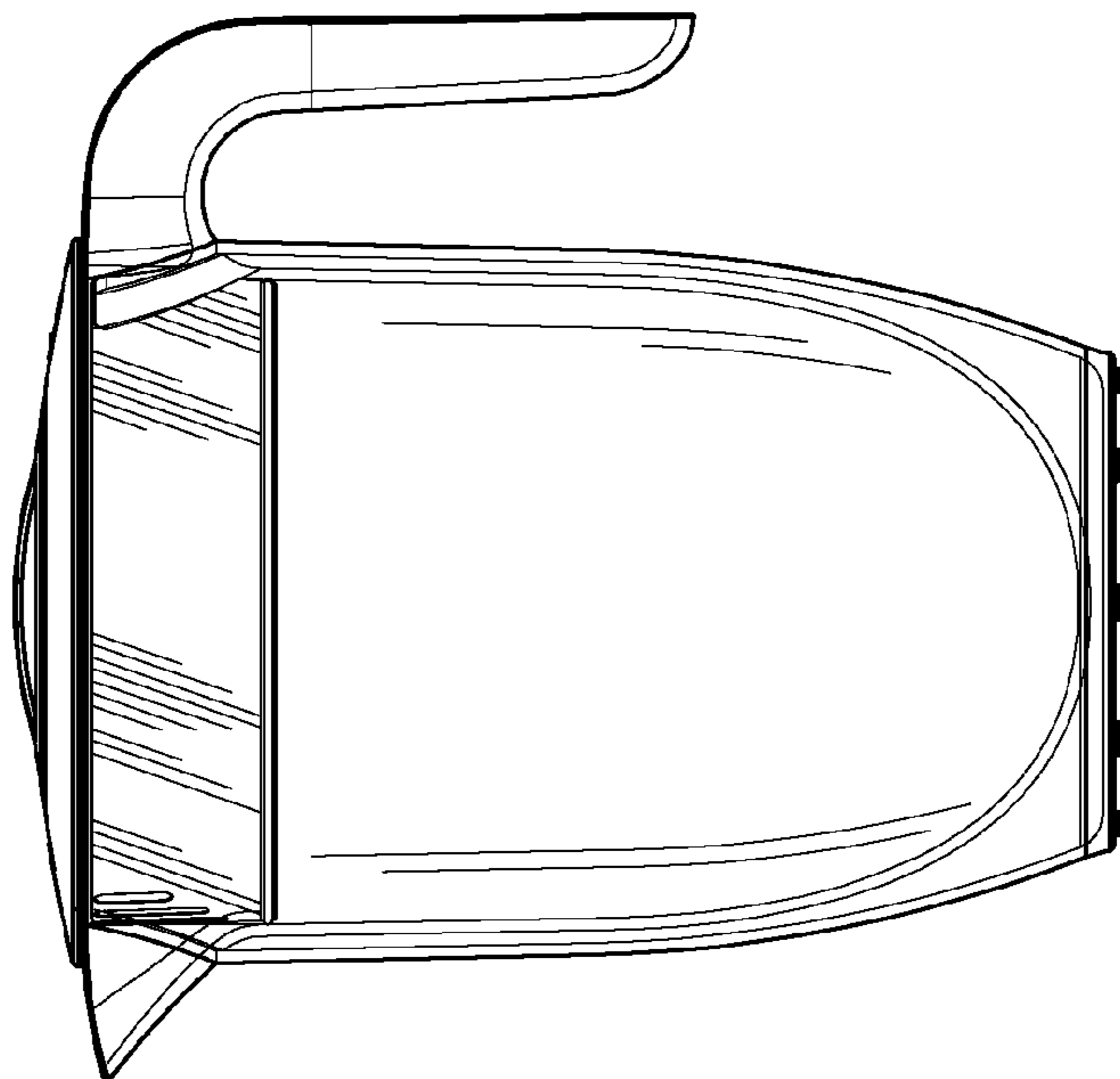


Fig. 2

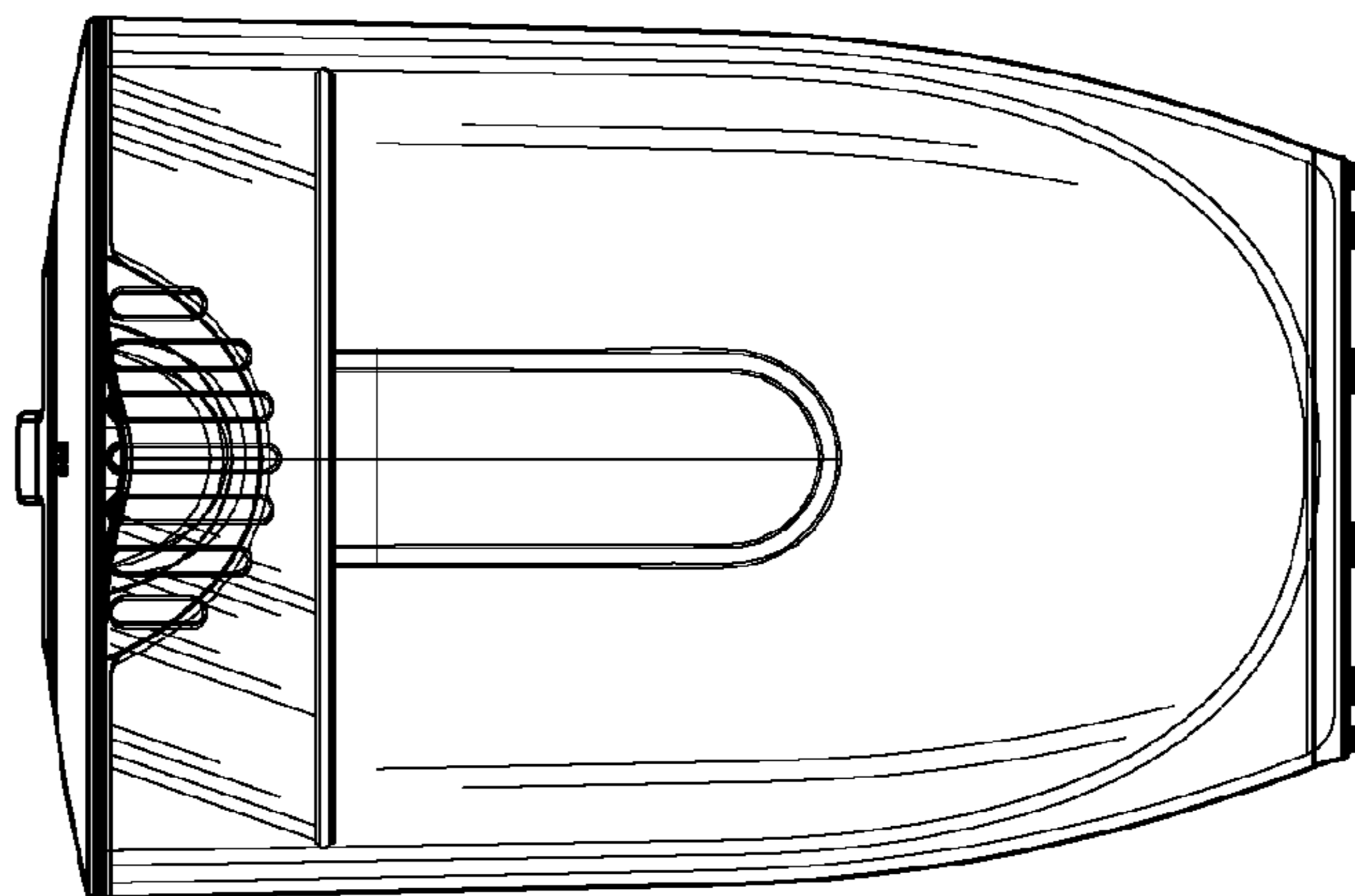


Fig. 1

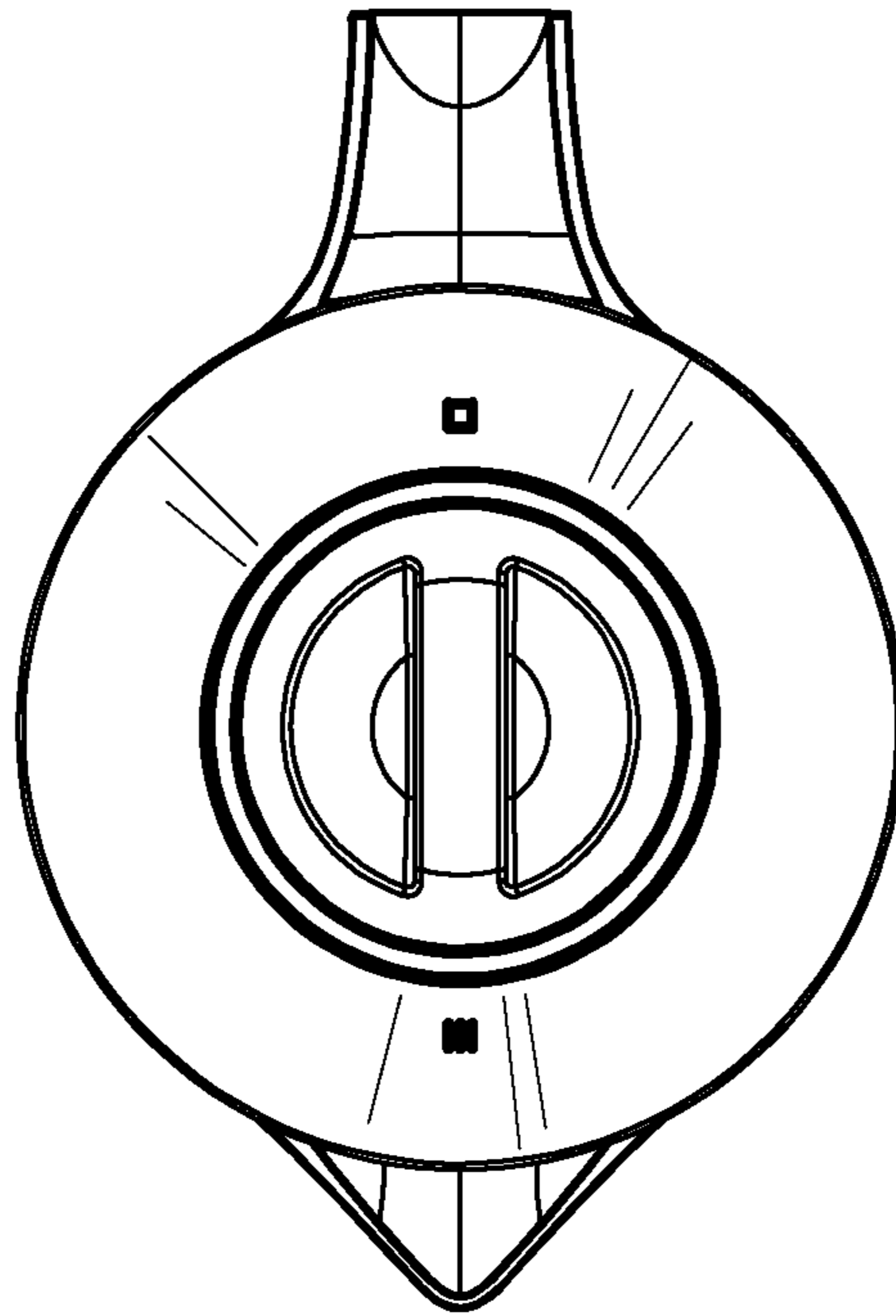


Fig. 5

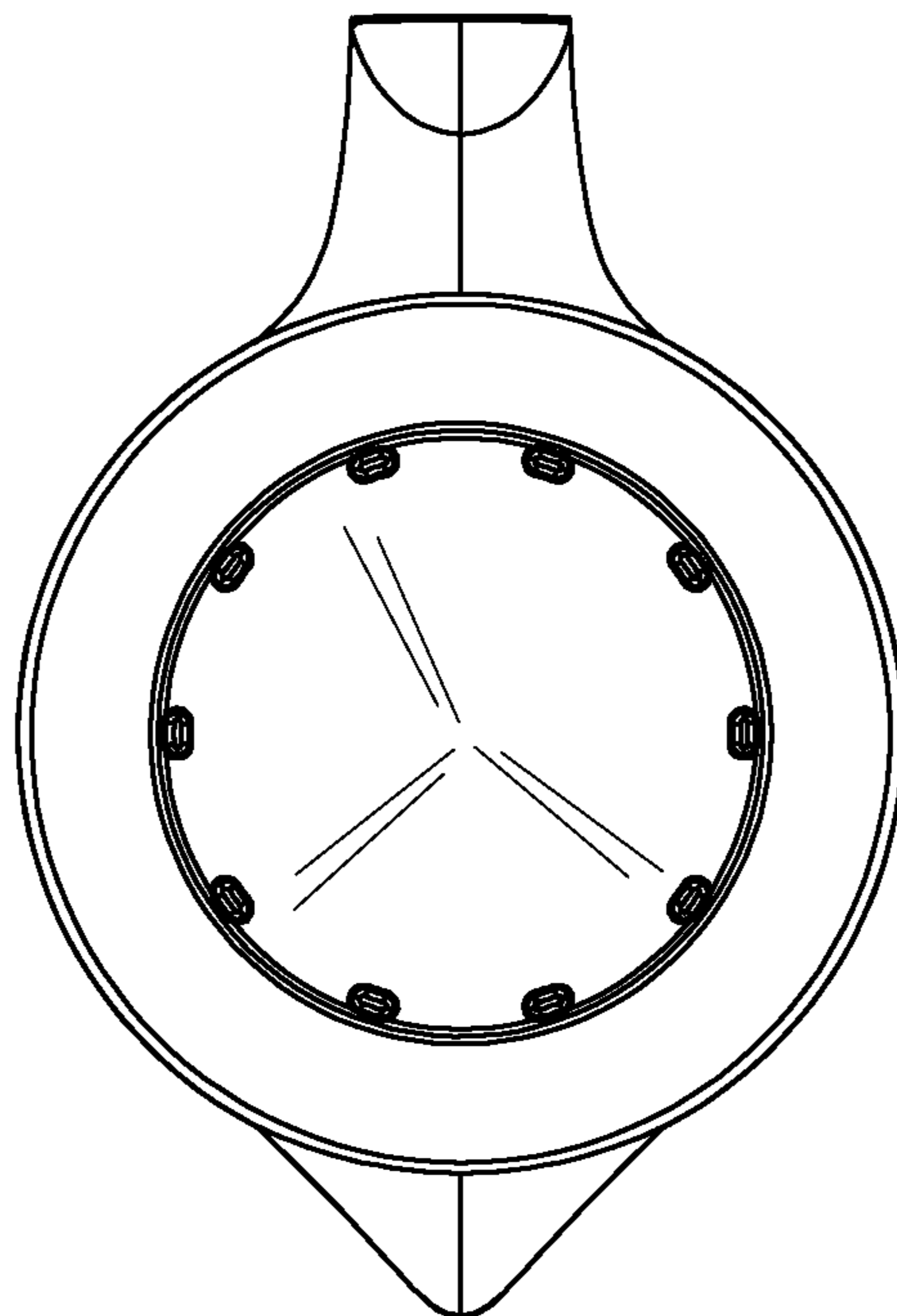


Fig. 4

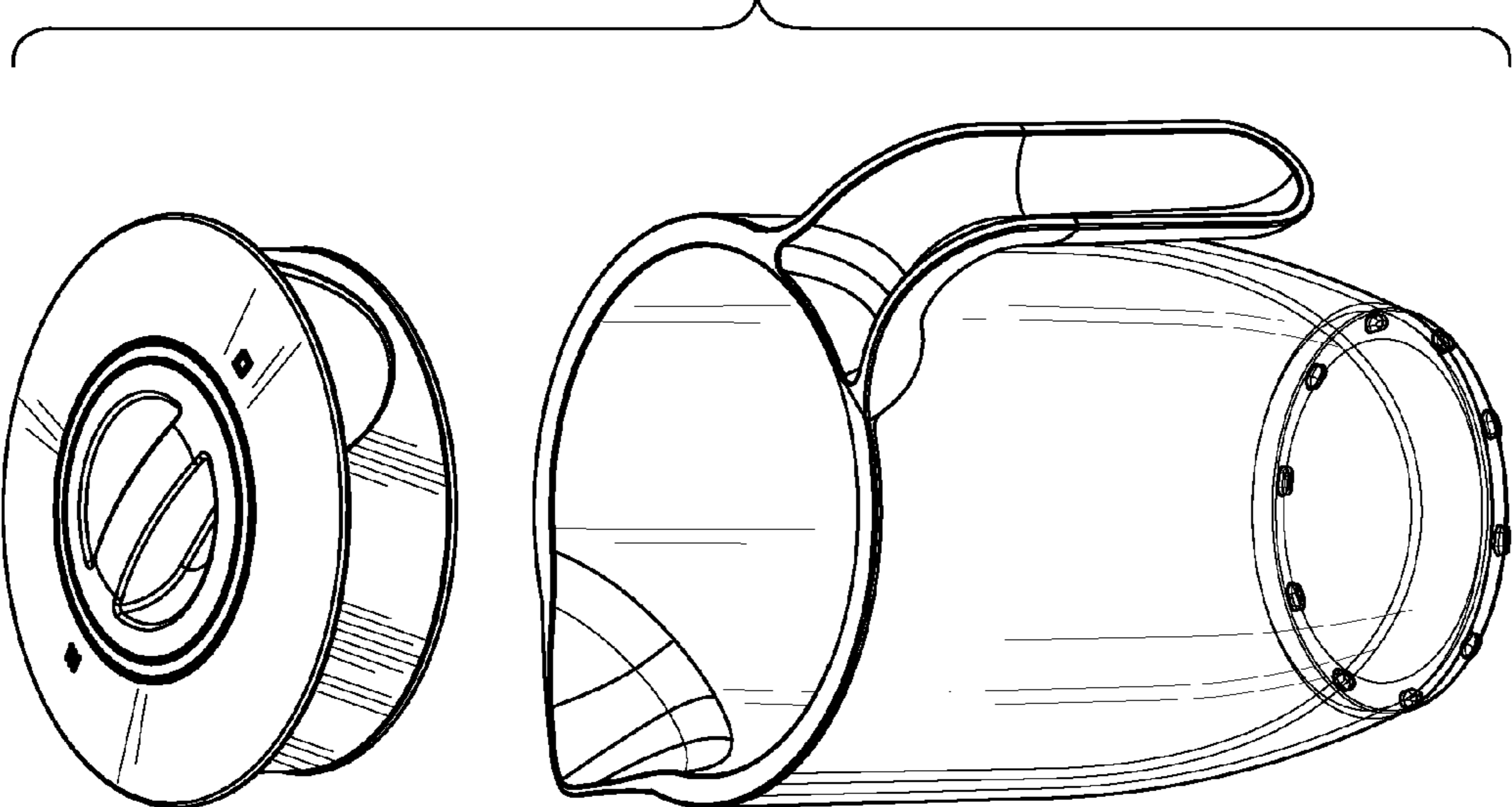


Fig. 7

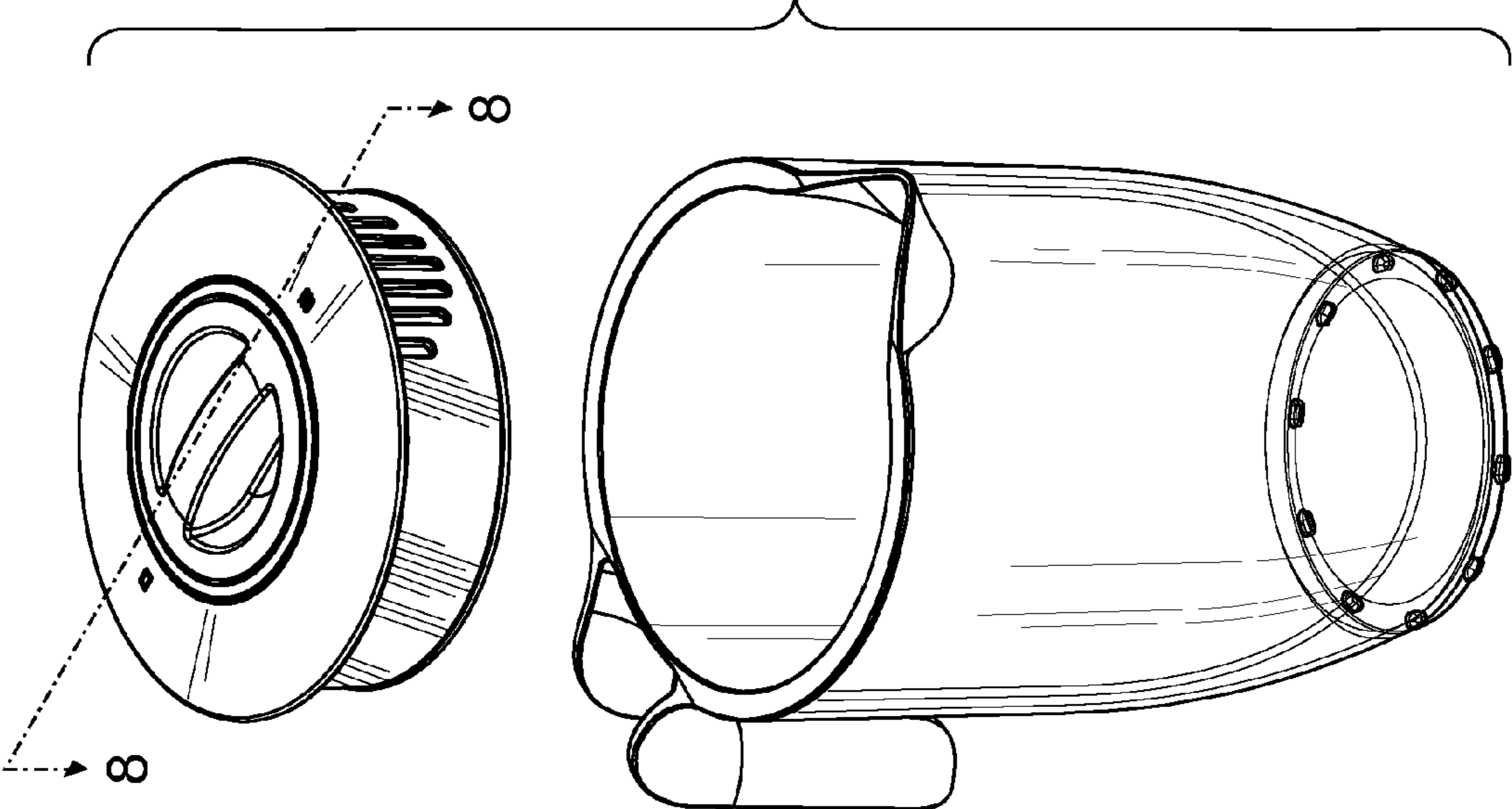


Fig. 6

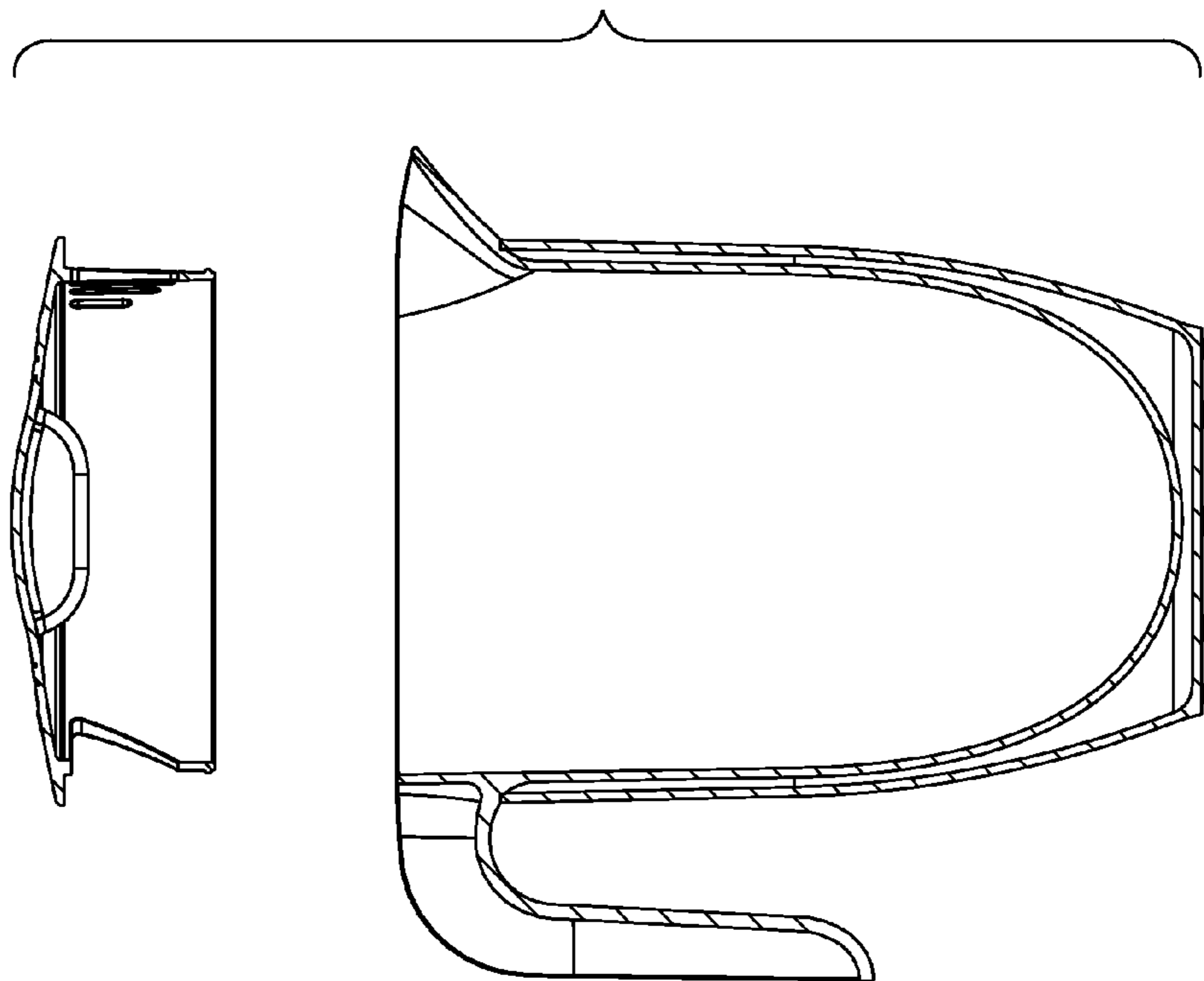


Fig. 8