



US00D688906S

(12) **United States Design Patent**
Egger

(10) **Patent No.:** **US D688,906 S**
(45) **Date of Patent:** **** Sep. 3, 2013**

(54) **CHAIR BASE**

(71) Applicant: **Blumenthal Distributing, Inc.**, Ontario
(CA)

(72) Inventor: **Julien Egger**, Los Angeles, CA (US)

(73) Assignee: **Blumenthal Distributing, Inc.**, Ontario,
CA (US)

(**) Term: **14 Years**

(21) Appl. No.: **29/439,155**

(22) Filed: **Dec. 7, 2012**

(51) **LOC (9) Cl.** **06-01**

(52) **U.S. Cl.**
USPC **D6/708.23**

(58) **Field of Classification Search**
USPC D6/334-336, 364, 365, 366, 367,
D6/708.23, 708.24, 708.25, 716, 716.1, 716.2,
D6/716.3, 716.4; 248/188.7; 297/344.18,
297/463.1

See application file for complete search history.

(56) **References Cited**

U.S. PATENT DOCUMENTS

D297,986 S * 10/1988 Jenkins D6/366
D430,982 S * 9/2000 Kuo D6/708.23

D456,626 S * 5/2002 Su D6/366
D459,600 S * 7/2002 Tseng D6/366
D472,079 S * 3/2003 Chen D6/708.23
D495,537 S * 9/2004 Fu D6/708.23
D542,042 S * 5/2007 Yang D6/366
D545,583 S * 7/2007 Huang D6/366
D601,827 S * 10/2009 Parker et al. D6/708.23
D603,177 S * 11/2009 Kubryk D6/366
D647,715 S * 11/2011 Kubryk D6/366
D659,421 S * 5/2012 Pan D6/366

* cited by examiner

Primary Examiner — Mimosa De

(74) *Attorney, Agent, or Firm* — Christie, Parker & Hale,
LLP

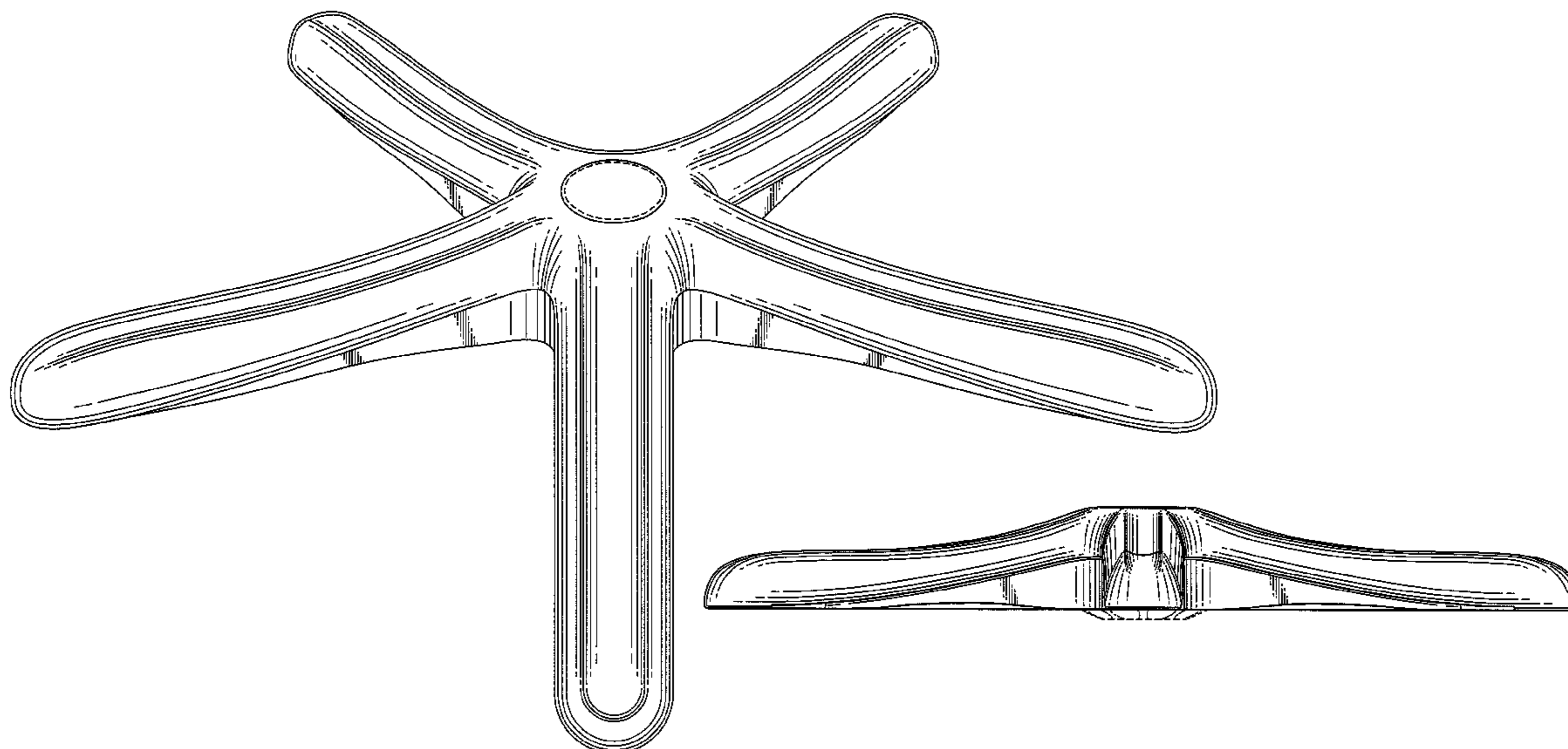
(57) **CLAIM**

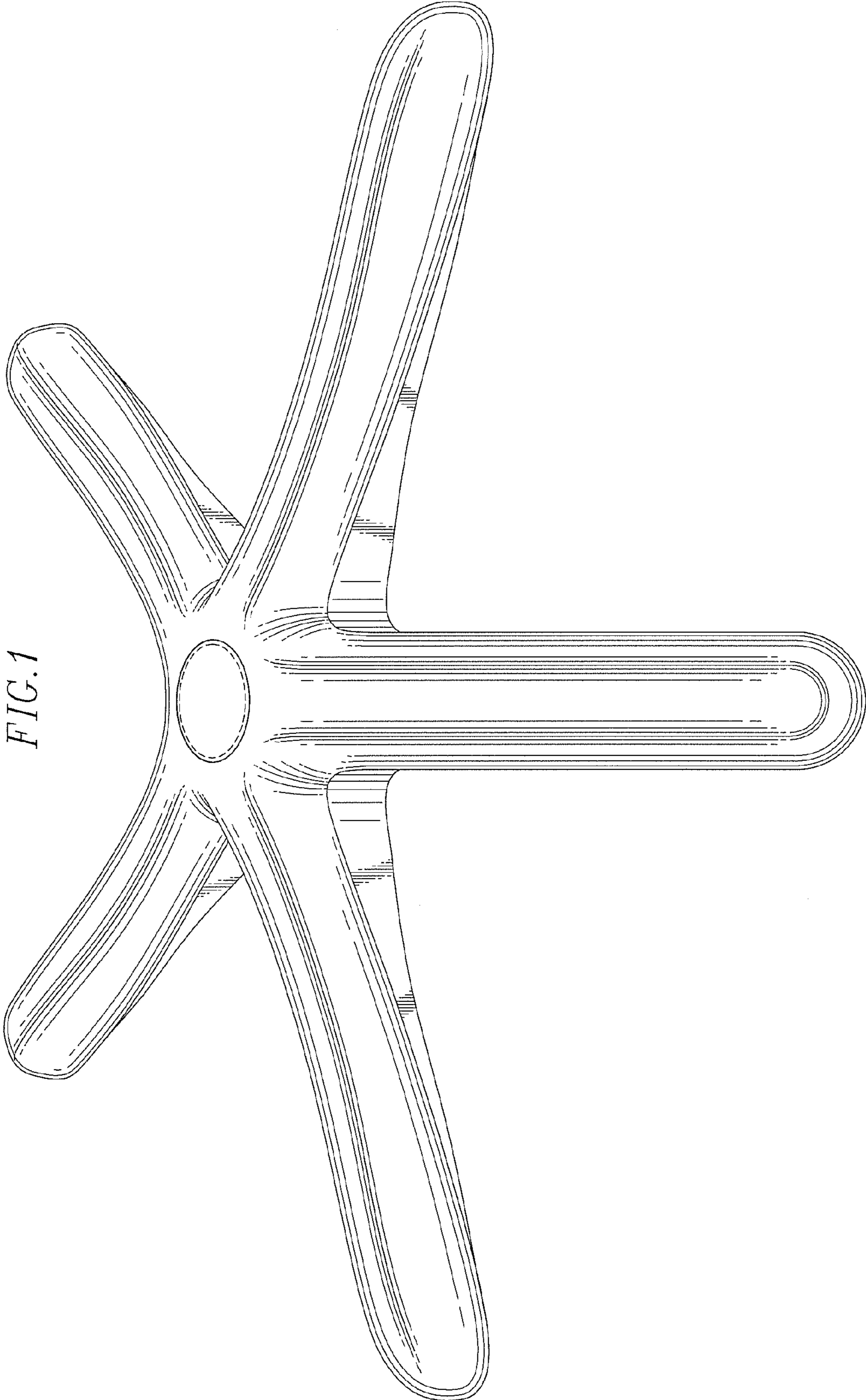
The ornamental design for chair base, as shown and
described.

DESCRIPTION

FIG. 1 is a top perspective view of a chair base front face
according to my new design;
FIG. 2 is a top view thereof;
FIG. 3 is an front elevational view thereof;
FIG. 4 is an rear elevational view thereof;
FIG. 5 is a left side elevational view thereof; and,
FIG. 6 is a right side elevational view thereof.

1 Claim, 4 Drawing Sheets





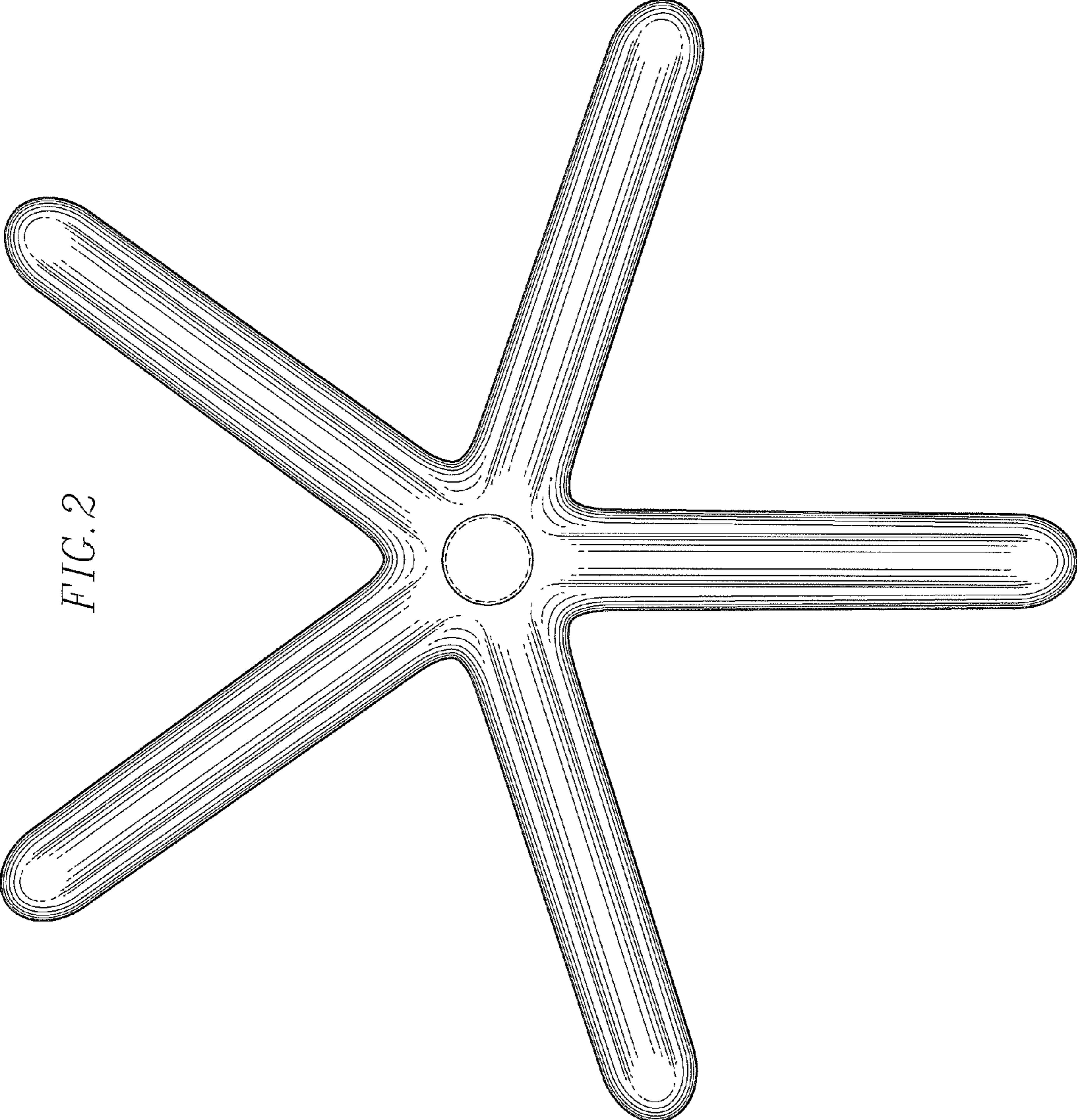


FIG. 2

FIG. 3

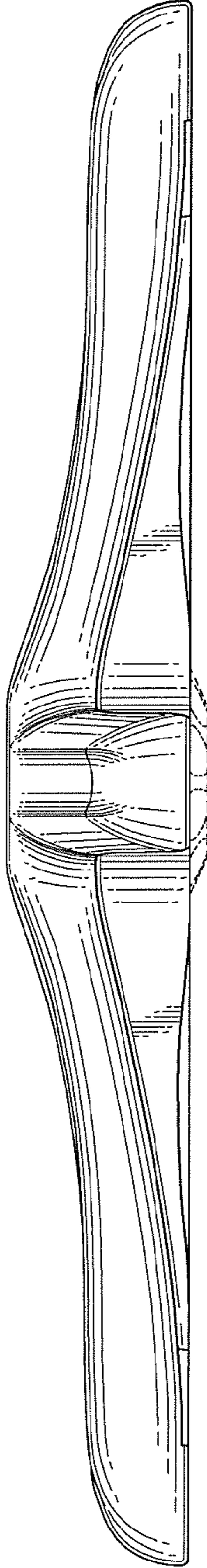


FIG. 4

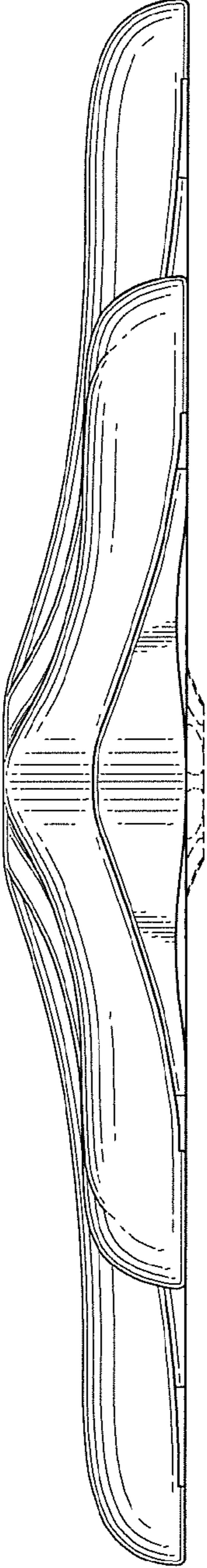


FIG. 5

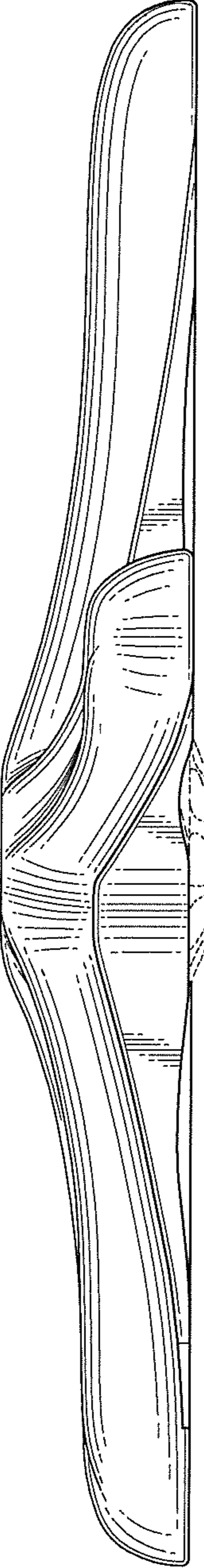
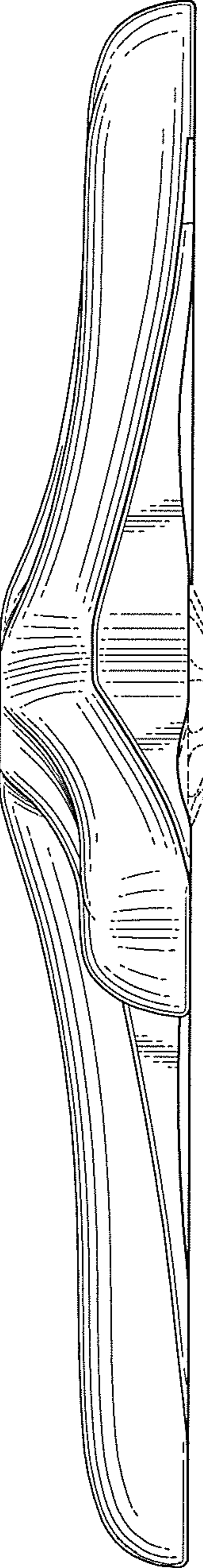


FIG. 6



UNITED STATES PATENT AND TRADEMARK OFFICE
CERTIFICATE OF CORRECTION

PATENT NO. : D688,906 S
APPLICATION NO. : 29/439155
DATED : September 3, 2013
INVENTOR(S) : Julien Egger

Page 1 of 1

It is certified that error appears in the above-identified patent and that said Letters Patent is hereby corrected as shown below:

On the Title Page

Item Description, line 4	Delete "an" Insert -- a --
Item Description, line 5	Delete "an" Insert -- a --

Signed and Sealed this
Fifteenth Day of July, 2014



Michelle K. Lee
Deputy Director of the United States Patent and Trademark Office