



US00D688905S

(12) **United States Design Patent**
Stravitz

(10) **Patent No.:** **US D688,905 S**

(45) **Date of Patent:** **** Sep. 3, 2013**

(54) **SHELF WITH LIP**

(71) Applicant: **David M. Stravitz**, New York, NY (US)

(72) Inventor: **David M. Stravitz**, New York, NY (US)

(73) Assignee: **Block and Company, Inc.**, Wheeling, IL (US)

(**) Term: **14 Years**

(21) Appl. No.: **29/452,676**

(22) Filed: **Apr. 19, 2013**

(51) **LOC (9) Cl.** **06-06**

(52) **U.S. Cl.**
USPC **D6/705**

(58) **Field of Classification Search**
USPC D6/396-397, 418, 426, 449, 511,
D6/513, 572-574, 672, 705; 211/71.01,
211/88.01, 90.01, 126, 134, 153, 193; 108/106,
108/137, 157.1, 159.1, 180
See application file for complete search history.

(56) **References Cited**

U.S. PATENT DOCUMENTS

D122,011 S *	8/1940	Erickson	D6/473
D175,295 S *	8/1955	Caldwell	D7/406
D176,637 S *	1/1956	Sivertson	D6/320
2,933,360 A *	4/1960	Sitler	312/195
D239,316 S *	3/1976	Smith	D9/432
4,155,312 A *	5/1979	Thorkildson	108/137
D273,609 S *	4/1984	Huffington, Jr.	D23/307
4,491,226 A *	1/1985	Marschak	211/186
D345,480 S *	3/1994	Sandegren	D6/511
D414,959 S *	10/1999	Emerson	D6/418
6,035,587 A *	3/2000	Dressler	52/97
D435,989 S *	1/2001	Hunt	D6/511
6,220,461 B1 *	4/2001	Dickinson	211/90.01
D443,163 S *	6/2001	Welch	D6/574
D500,225 S *	12/2004	Suero, Jr.	D6/574

D510,220 S *	10/2005	Sandy	D6/511
D512,867 S *	12/2005	Gates et al.	D6/574
D513,065 S *	12/2005	Luong	D23/307
D521,286 S *	5/2006	Colmenares	D6/511
D577,744 S *	9/2008	Baacke et al.	D15/89
D582,190 S *	12/2008	Valiulis et al.	D6/567
D598,228 S *	8/2009	West	D6/574
D601,177 S *	9/2009	Rosso et al.	D15/138
D643,656 S *	8/2011	Golias et al.	D6/511
D644,864 S *	9/2011	LaBonia et al.	D6/511

(Continued)

Primary Examiner — Kelley Donnelly

(74) *Attorney, Agent, or Firm* — Holtz, Holtz, Goodman & Chick, P.C.

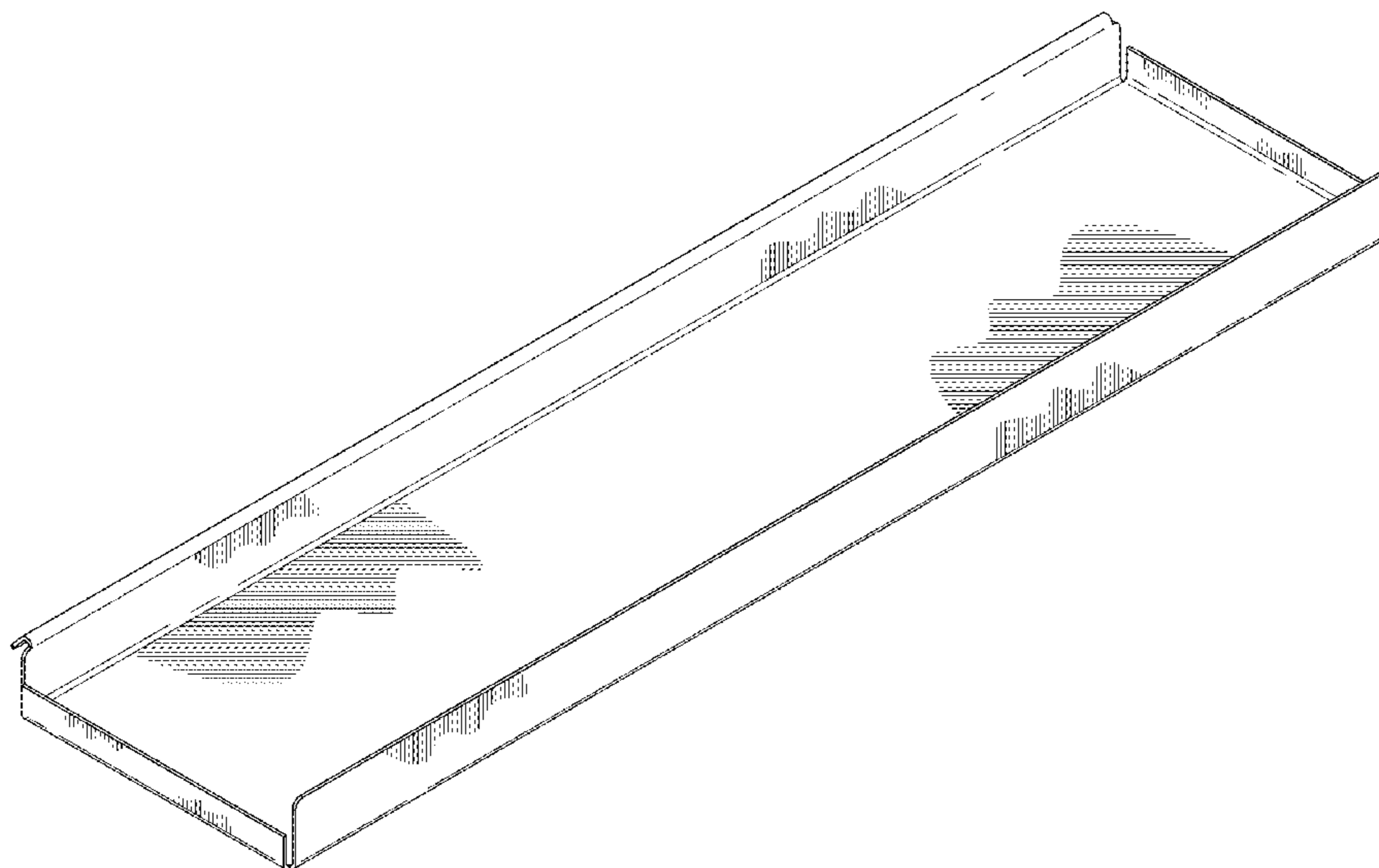
(57) **CLAIM**

The ornamental design for a shelf with lip, as shown and described.

DESCRIPTION

FIG. 1 is a top, front, left side perspective view of a first embodiment of a shelf with lip showing my new design;
 FIG. 2 is a bottom, rear, right side perspective view thereof;
 FIG. 3 is a top plan view thereof;
 FIG. 4 is a bottom plan view thereof;
 FIG. 5 is a front elevational view thereof;
 FIG. 6 is a rear elevational view thereof;
 FIG. 7 is a right side elevational view thereof;
 FIG. 8 is a left side elevational view thereof;
 FIG. 9 is a top, front, left side perspective view of a second embodiment of a shelf with lip showing my new design, the front, right and left side elevational views being the same as shown in FIGS. 5, 7 and 8, respectively;
 FIG. 10 is a bottom, rear, right side perspective view thereof;
 FIG. 11 is a top, front, left side perspective view of the first embodiment of the shelf with lip showing indeterminate width of the shelf with lip; and,
 FIG. 12 is a bottom, rear, right side perspective view thereof.

1 Claim, 9 Drawing Sheets



US D688,905 S

Page 2

(56)

References Cited

U.S. PATENT DOCUMENTS

D656,694 S * 3/2012 Kim D32/25

D659,110 S * 5/2012 Chen et al. D13/179
D678,699 S * 3/2013 Stravitz D6/707.22
D679,232 S * 4/2013 Thomas D12/185

* cited by examiner

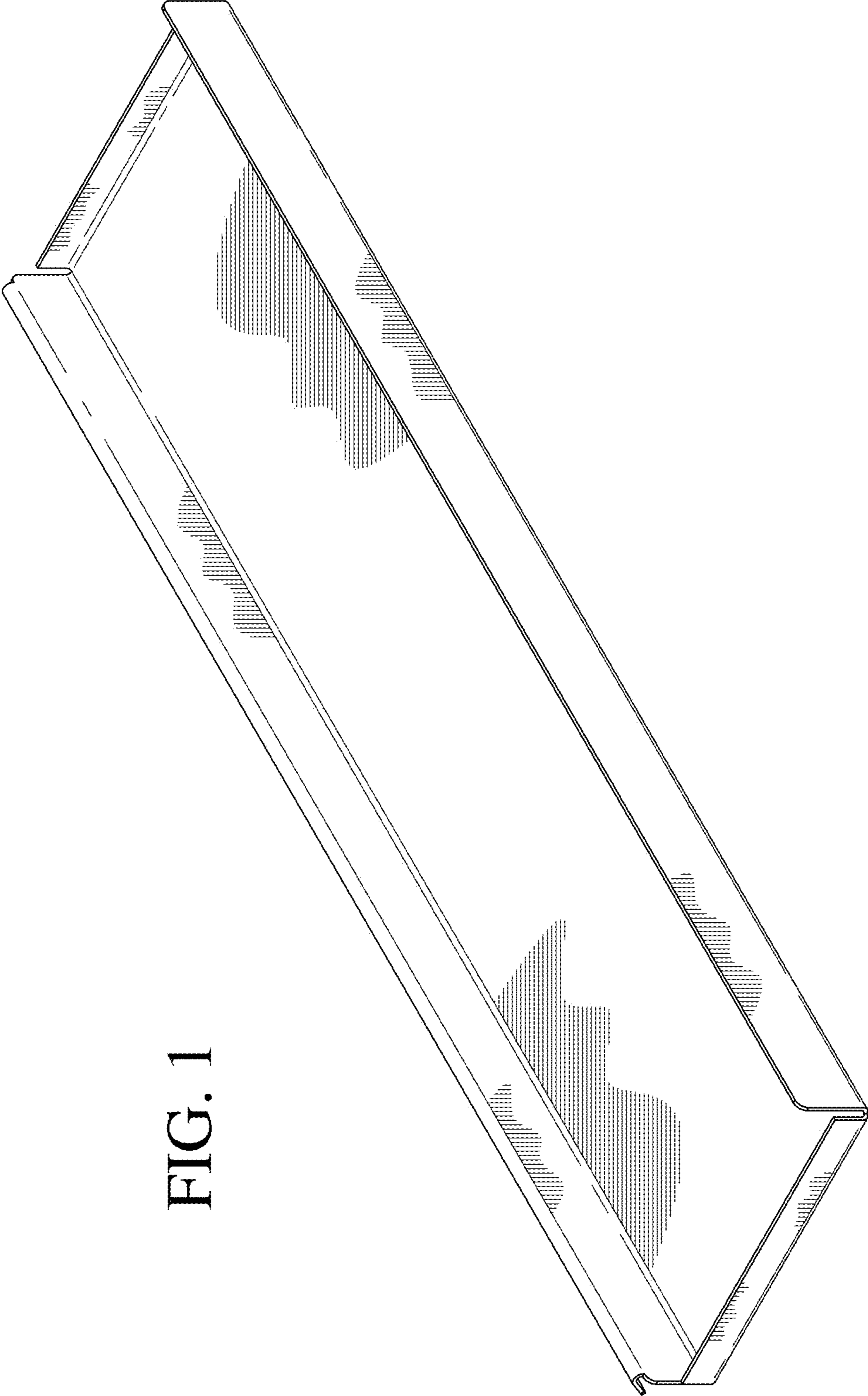


FIG. 1

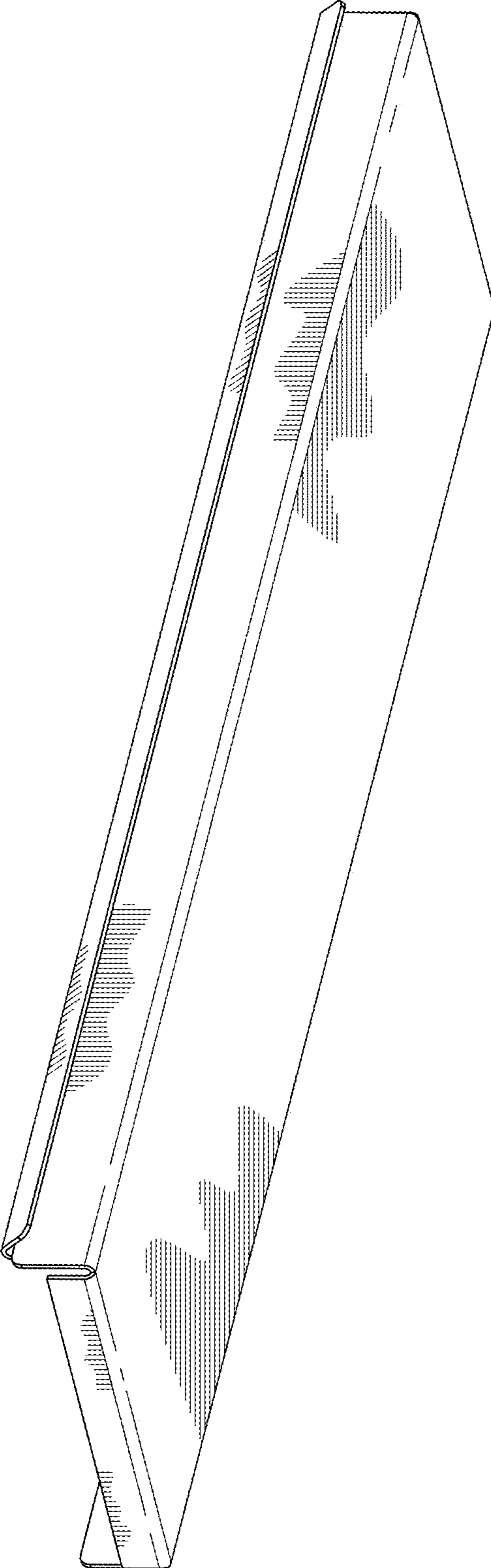


FIG. 2

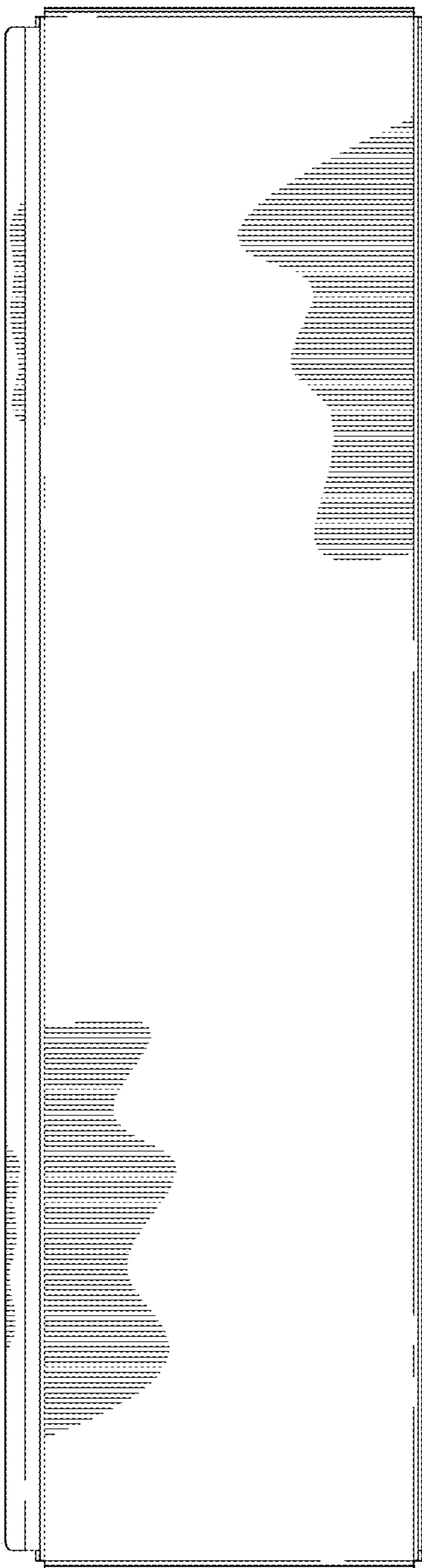


FIG. 3

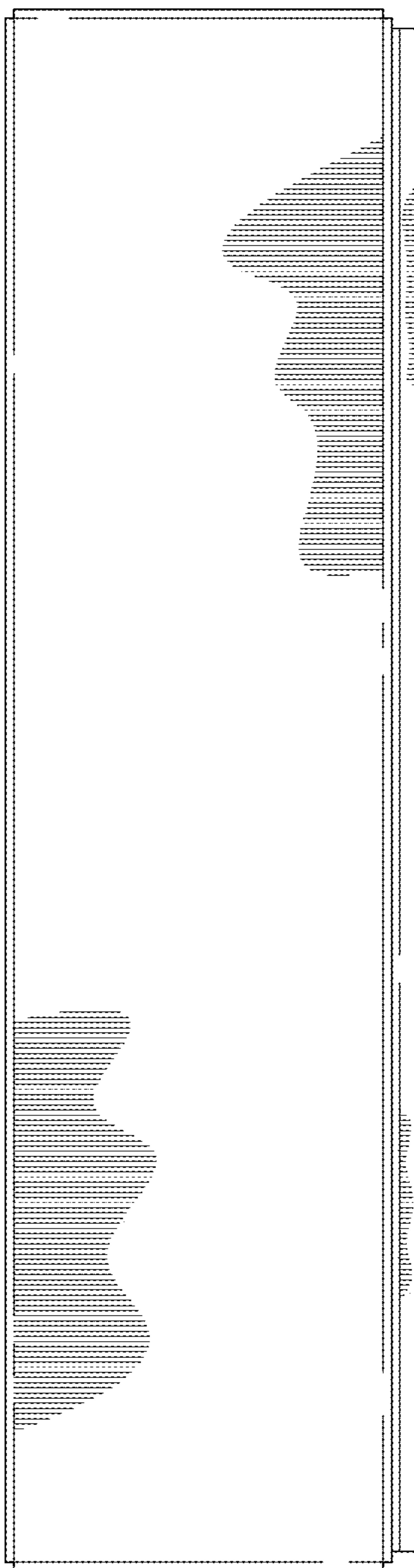


FIG. 4



FIG. 5

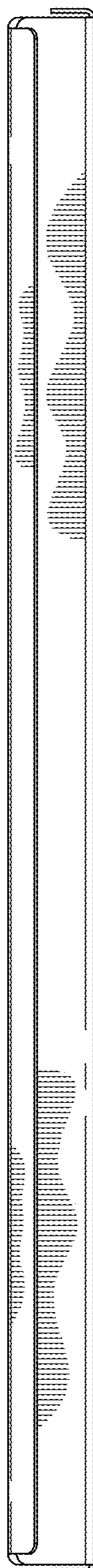


FIG. 6

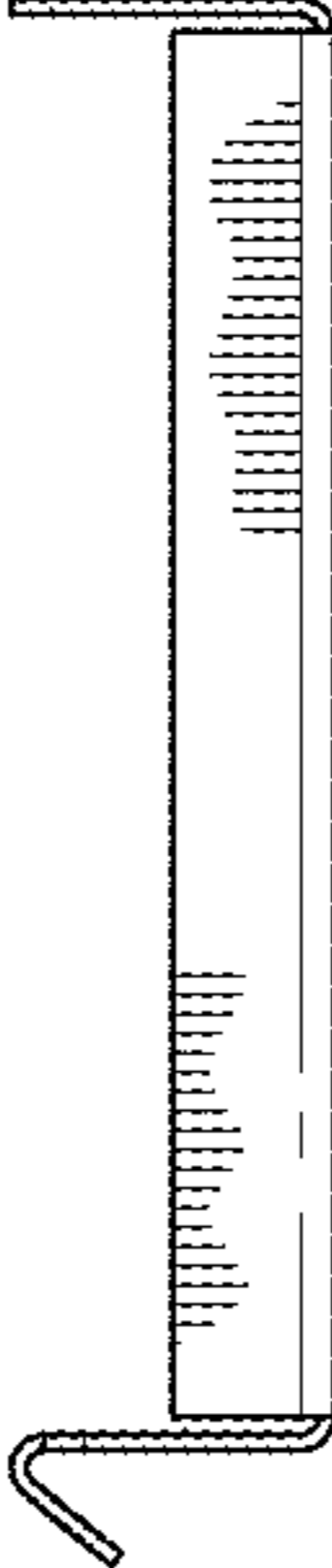


FIG. 7

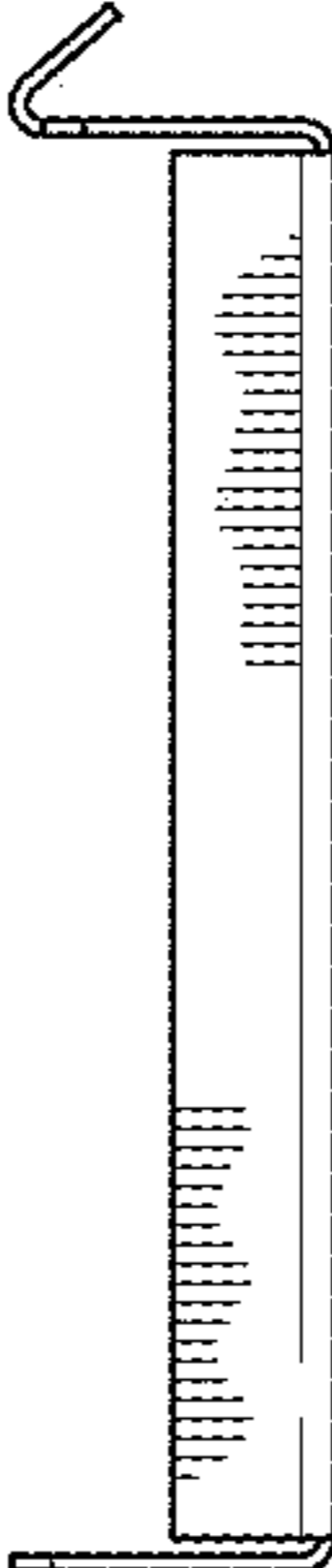


FIG. 8

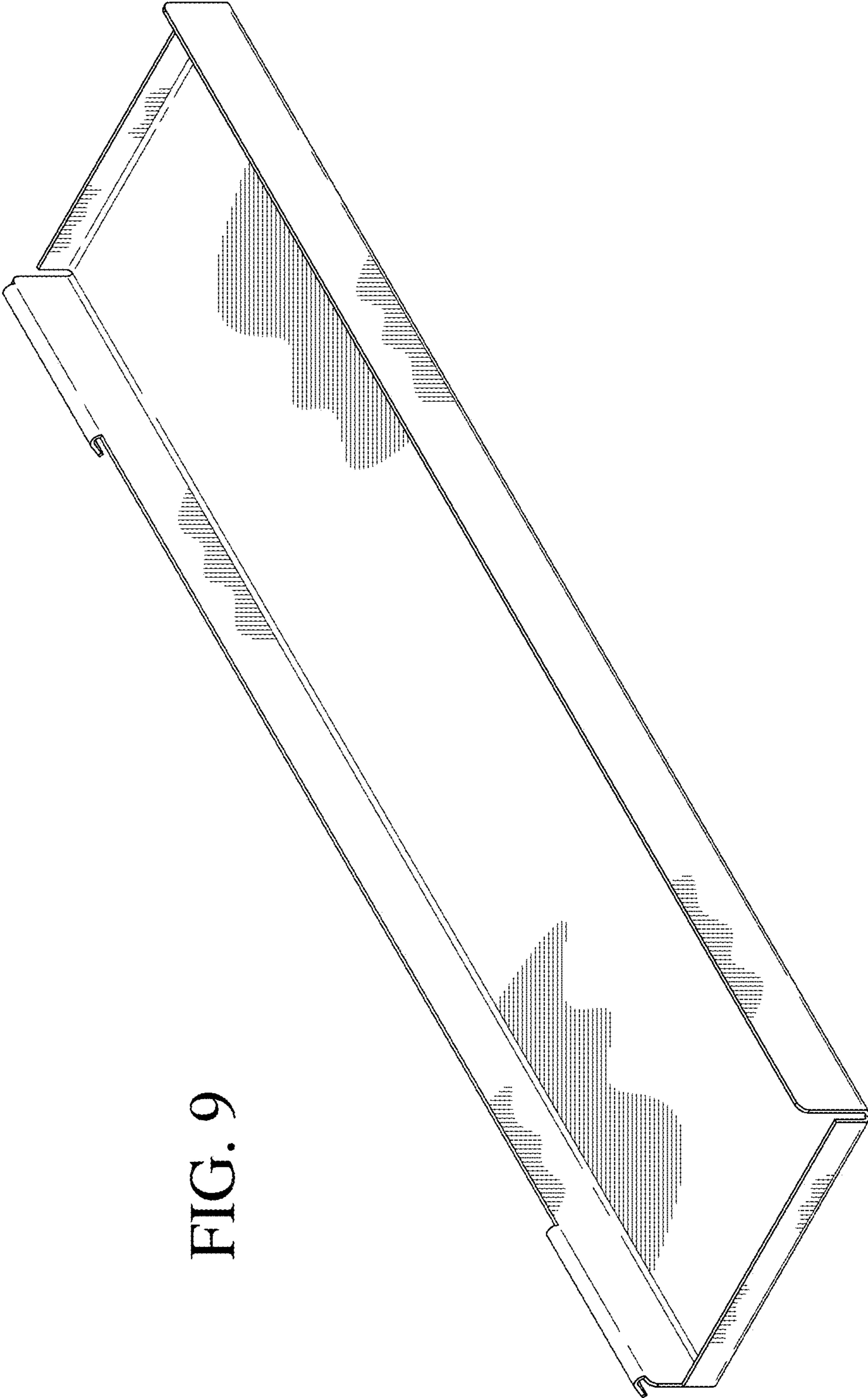


FIG. 9

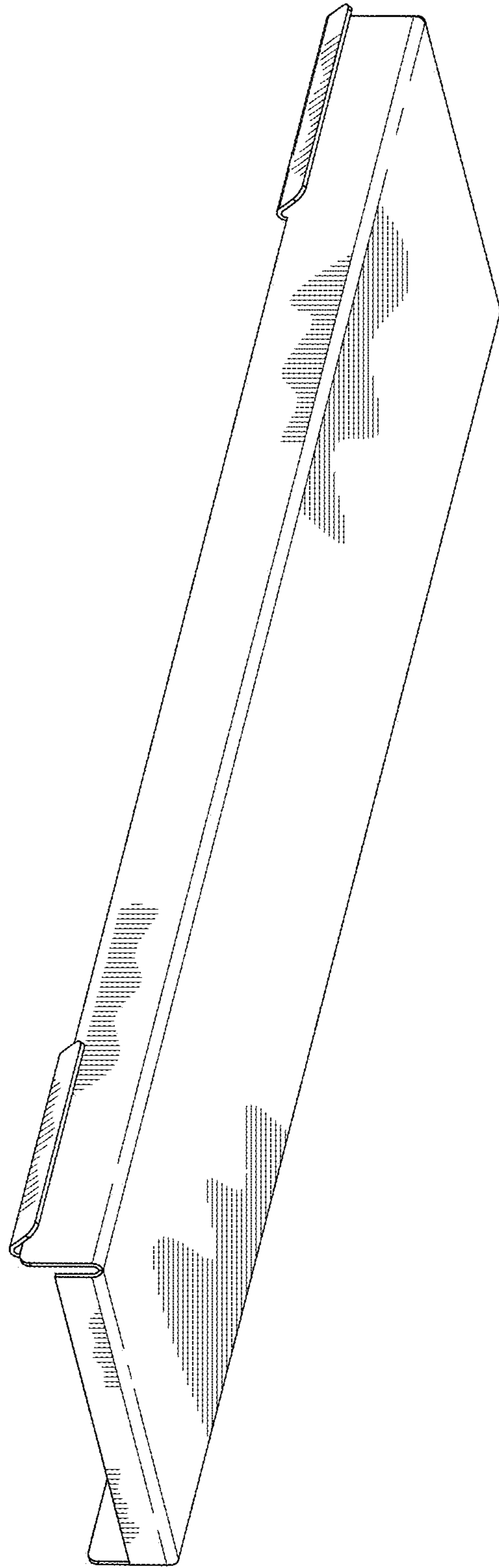


FIG. 10

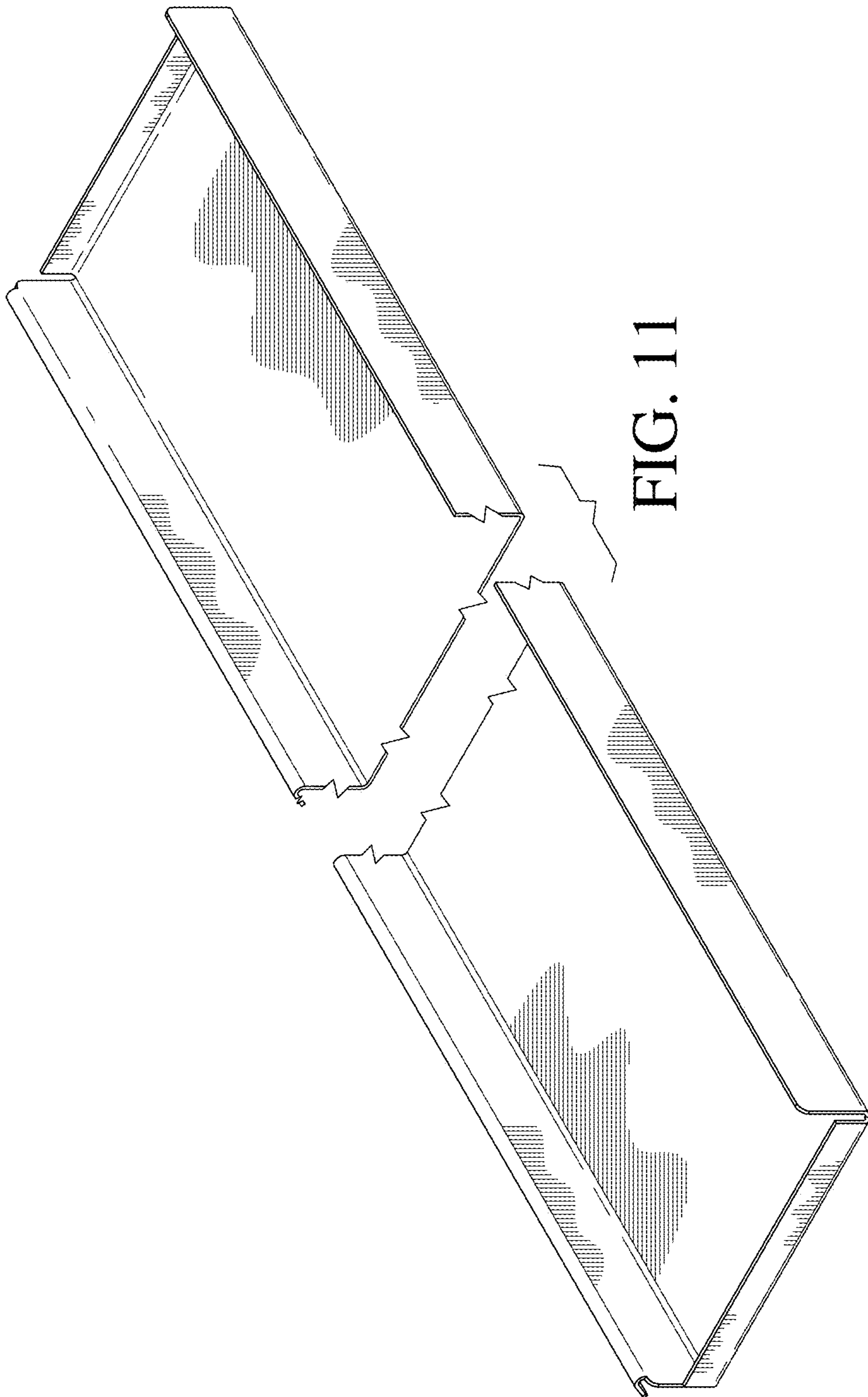


FIG. 11

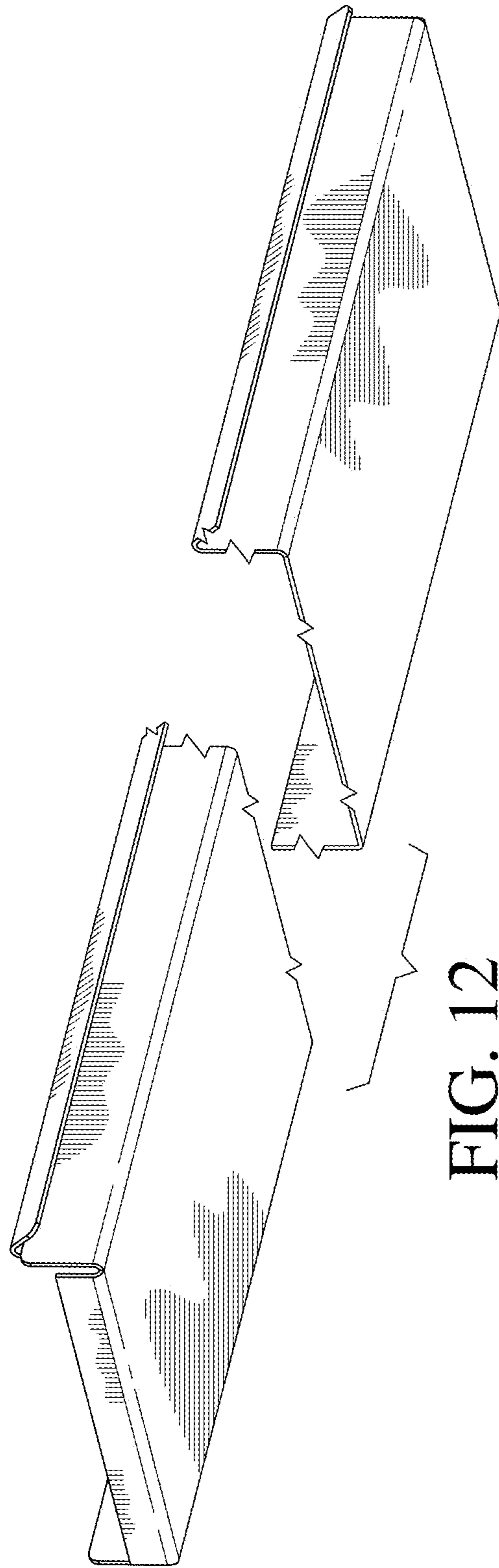


FIG. 12