



US00D688904S

(12) **United States Design Patent**
Chan

(10) **Patent No.:** **US D688,904 S**

(45) **Date of Patent:** **** Sep. 3, 2013**

(54) **BEVERAGE DISPENSER TABLE**

(71) Applicant: **SelfTAP Pro Systems Ltd.**, Hong Kong (HK)

(72) Inventor: **Tony Yat-Tung Chan**, Hong Kong (HK)

(73) Assignee: **SelfTAP Pro Systems Ltd.**, Hong Kong (CN)

(**) Term: **14 Years**

(21) Appl. No.: **29/436,957**

(22) Filed: **Nov. 11, 2012**

(51) **LOC (9) Cl.** **06-03**

(52) **U.S. Cl.**
USPC **D6/700**

(58) **Field of Classification Search**
USPC D6/419, 353, 425, 486, 430, 432,
D6/545, 396; D14/307, 305, 371; D20/1;
D13/193.4, 162; 222/129, 185.1, 183, 146.6,
222/108; D19/91, 52, 65, 75, 78, 86, 88,
D19/90, 95, 99, 100; D7/306, 307, 300;
D21/369; 141/361; 345/173; 705/36 R;
248/441.1, 445, 446, 451, 454, 174; 62/396,
62/389

See application file for complete search history.

(56) **References Cited**

U.S. PATENT DOCUMENTS

D193,830	S	*	10/1962	Golden et al.	D7/306
D203,986	S	*	3/1966	Cottler et al.	D14/305
D209,509	S	*	12/1967	Hopkins	D14/305
D290,703	S	*	7/1987	Day et al.	D14/371
D296,275	S	*	6/1988	Fisher et al.	D6/419
D299,345	S	*	1/1989	Foy et al.	D14/307
D331,264	S	*	11/1992	Ellis	D20/1
D334,916	S	*	4/1993	Basara et al.	D14/307
5,245,535	A	*	9/1993	Weiss et al.	705/36 R

(Continued)

Primary Examiner — Philip S Hyder

Assistant Examiner — Sydney Buffalow

(74) *Attorney, Agent, or Firm* — Ella Cheong Hong Kong; Sam T. Yip

(57) **CLAIM**

The ornamental design for a beverage dispenser table, as shown and described.

DESCRIPTION

A portion of the disclosure of this patent document contains material, which is subject to copyright protection. The copyright owner has no objection to the facsimile reproduction by anyone of the patent document or the patent disclosure, as it appears in the Patent and Trademark Office patent file or records, but otherwise reserves all copyright rights whatsoever.

FIG. 1 is a frontal perspective view of the beverage dispenser table viewed from the left of a position approximately facing the front of the beverage dispenser table;

FIG. 2 is a left perspective view of the beverage dispenser table viewed from a position approximately facing the left of the beverage dispenser table;

FIG. 3 is a frontal view of the beverage dispenser table;

FIG. 4 is a rear view of the beverage dispenser table;

FIG. 5 is a left view of the beverage dispenser table;

FIG. 6 is a right view of the beverage dispenser table;

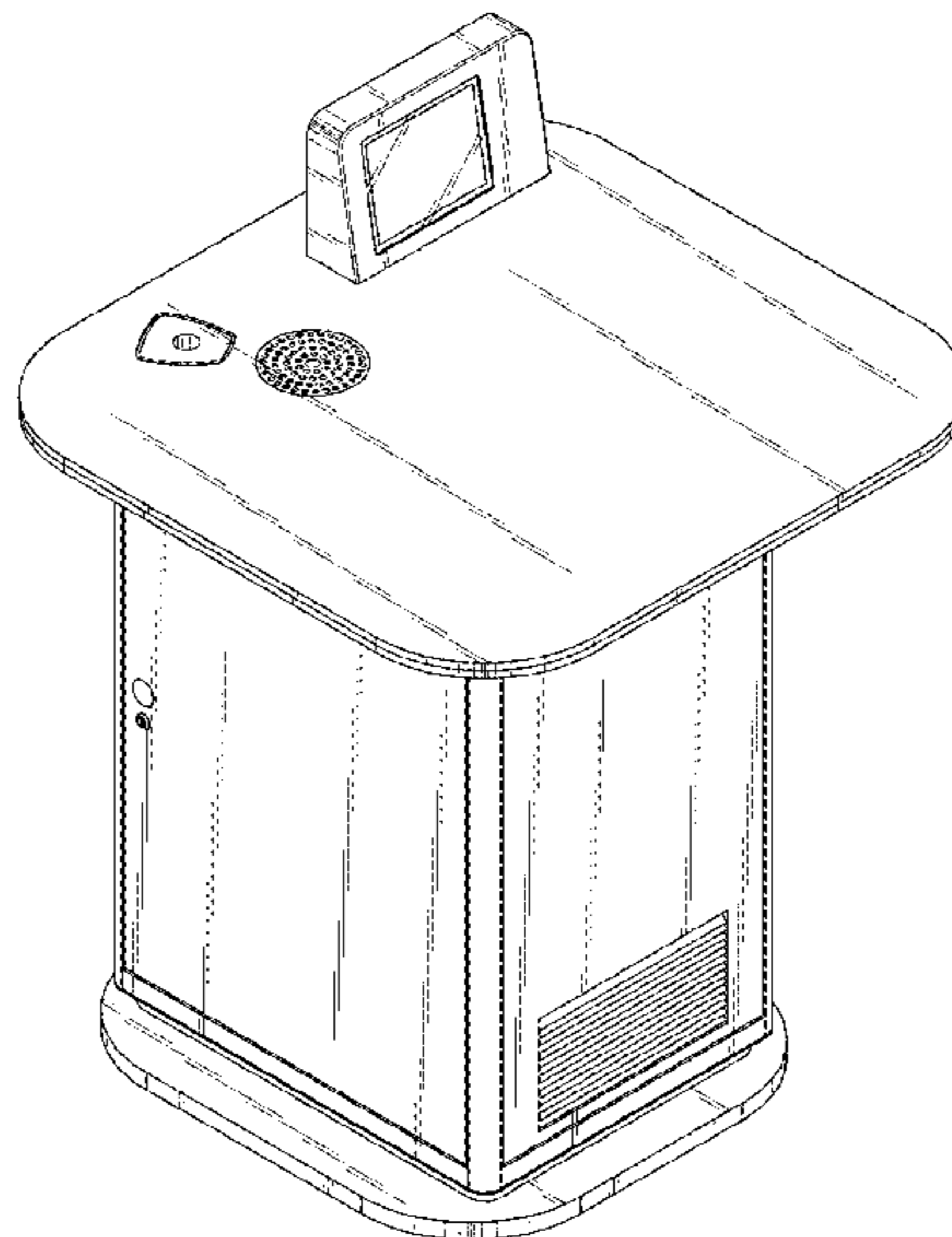
FIG. 7 is a top view of the beverage dispenser table;

FIG. 8 is a bottom view of the beverage dispenser table; and,

FIG. 9 is another frontal perspective view of the beverage dispenser table viewed from the left of a position approximately facing the front of the beverage dispenser table.

The broken lines in showing of the beer tap in FIG. 9 are for illustrative purposes only and form no part of the claimed design.

1 Claim, 9 Drawing Sheets



(56)

References Cited

U.S. PATENT DOCUMENTS

D344,859 S *	3/1994	Butterfield	D6/353	D522,269 S *	6/2006	Walker	D6/432
D353,363 S *	12/1994	Toby	D13/139.4	D533,176 S *	12/2006	Becker et al.	D14/307
D353,368 S *	12/1994	Poulos	D14/305	D571,804 S *	6/2008	Morelock et al.	D14/371
D376,949 S *	12/1996	Barriault et al.	D7/306	D607,948 S *	1/2010	de Viveiros Ortiz	D21/369
D381,529 S *	7/1997	Ugalde	D6/425	7,661,556 B2 *	2/2010	van der Klaauw et al.	222/1
D387,584 S *	12/1997	Gemme	D6/486	D626,542 S *	11/2010	Libman et al.	D14/305
D402,824 S *	12/1998	Gareau et al.	D6/419	D626,544 S *	11/2010	Bleck et al.	D14/307
D409,856 S *	5/1999	Rice, Jr.	D6/430	D640,484 S *	6/2011	Albert	D6/396
D415,204 S *	10/1999	Rand	D19/91	D646,508 S *	10/2011	Parizek et al.	D6/486
D436,634 S *	1/2001	Cooper-Hart	D21/333	D647,748 S *	11/2011	Beekhuis et al.	D7/306
D456,663 S *	5/2002	Chew	D7/306	8,096,143 B1 *	1/2012	White et al.	62/389
D473,525 S *	4/2003	Pincek et al.	D13/162	D667,652 S *	9/2012	Wang	D6/432
D474,625 S *	5/2003	Chen	D6/432	D671,346 S *	11/2012	Zlatic et al.	D6/545
D482,227 S *	11/2003	Walton	D7/306	D677,655 S *	3/2013	Sirocich	D14/305
D516,064 S *	2/2006	Becker et al.	D14/307	2002/0162856 A1 *	11/2002	Sheridan et al.	222/129
D520,504 S *	5/2006	Martin	D14/371	2003/0080949 A1 *	5/2003	Ditzik	345/173
					2008/0035241 A1 *	2/2008	Wittbold	141/361
					2011/0100049 A1 *	5/2011	Bax	62/396

* cited by examiner

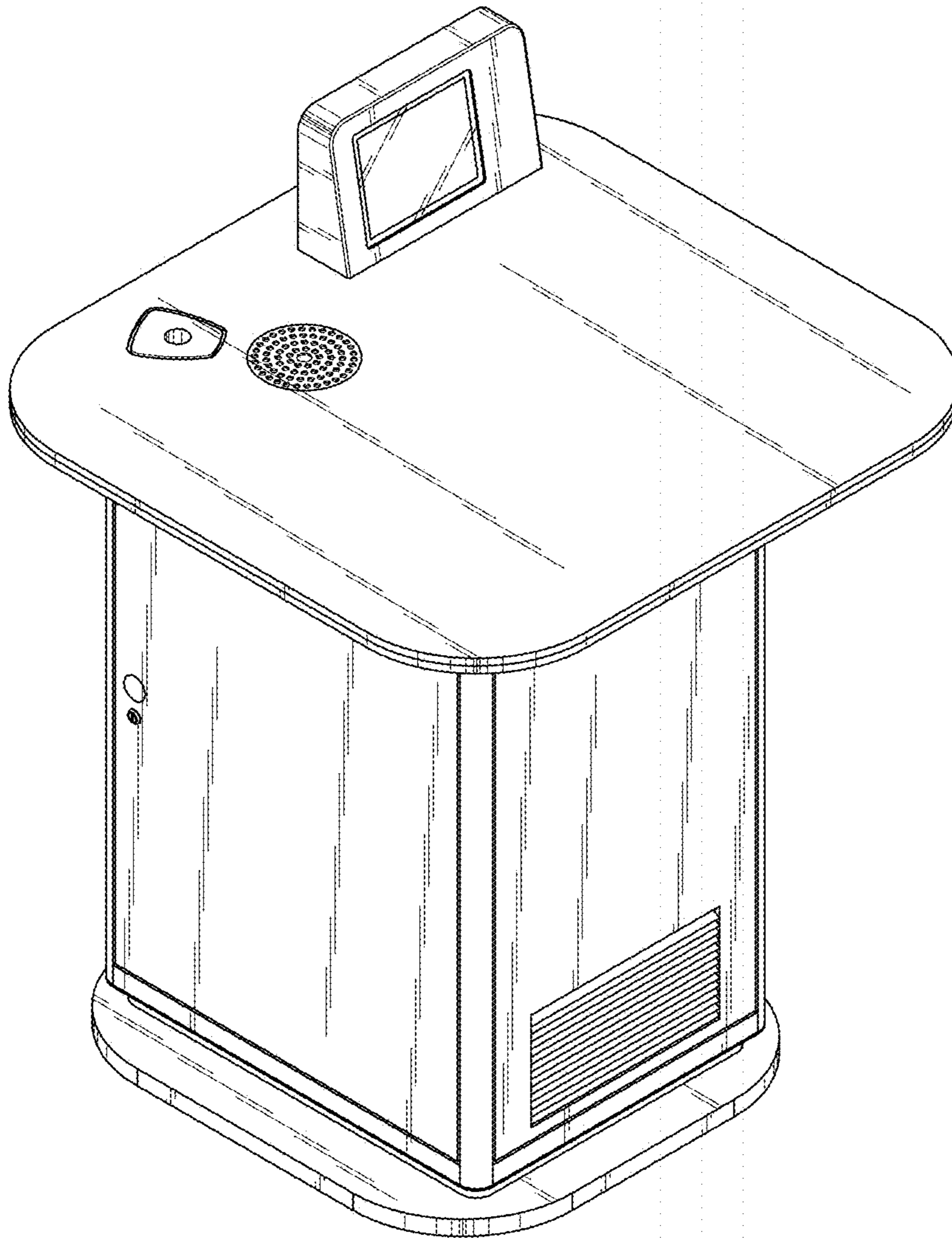


FIG. 1

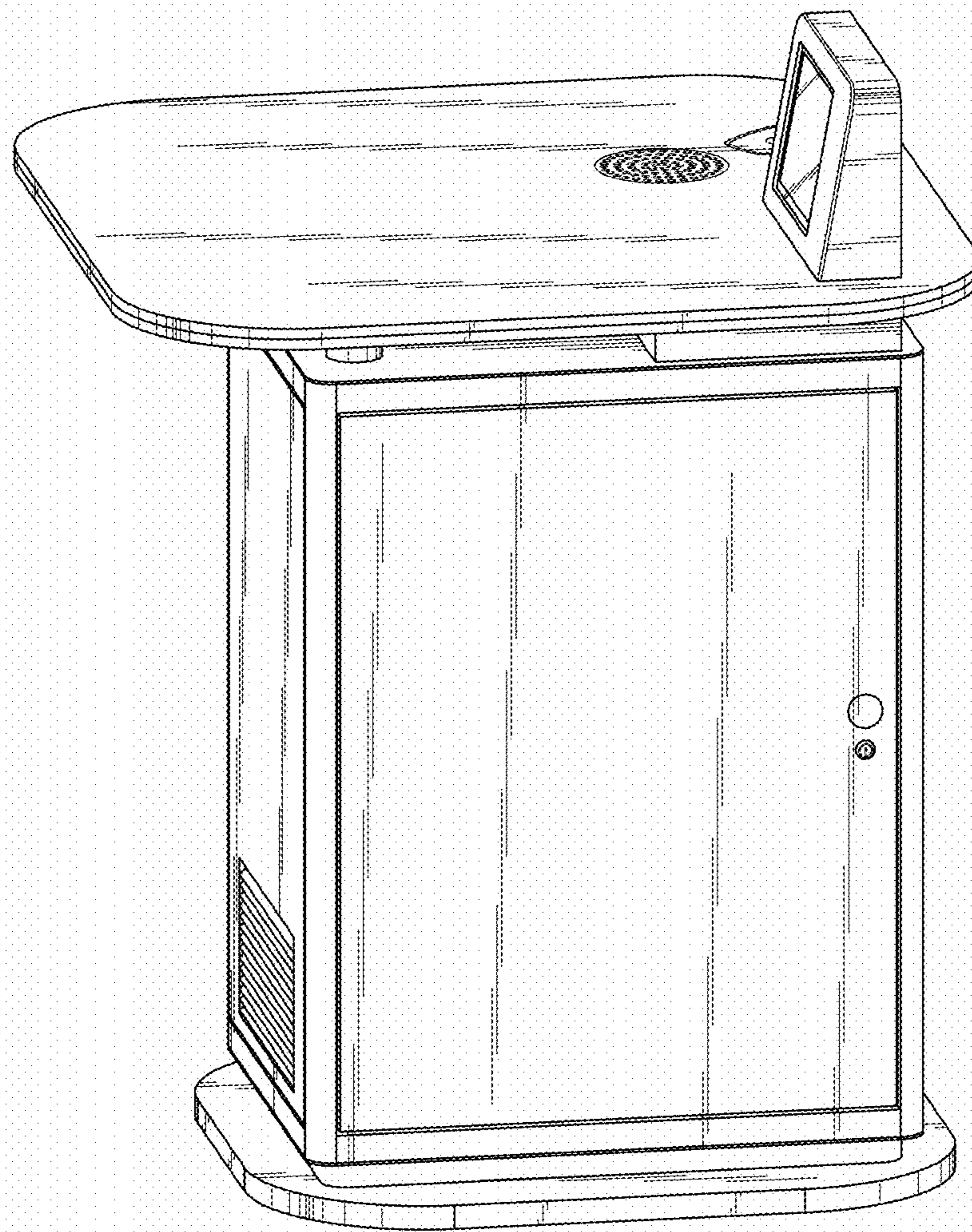


FIG. 2

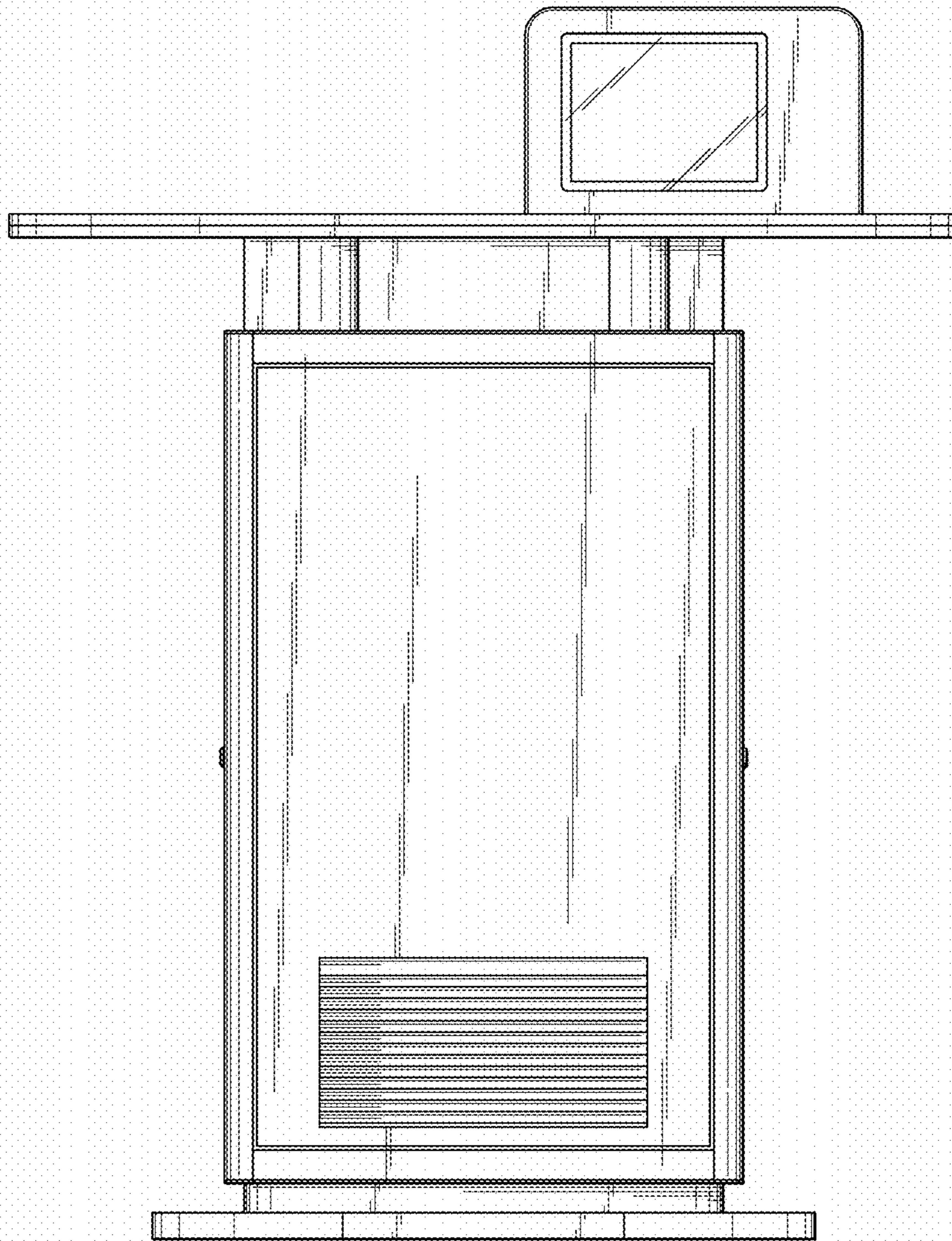


FIG. 3

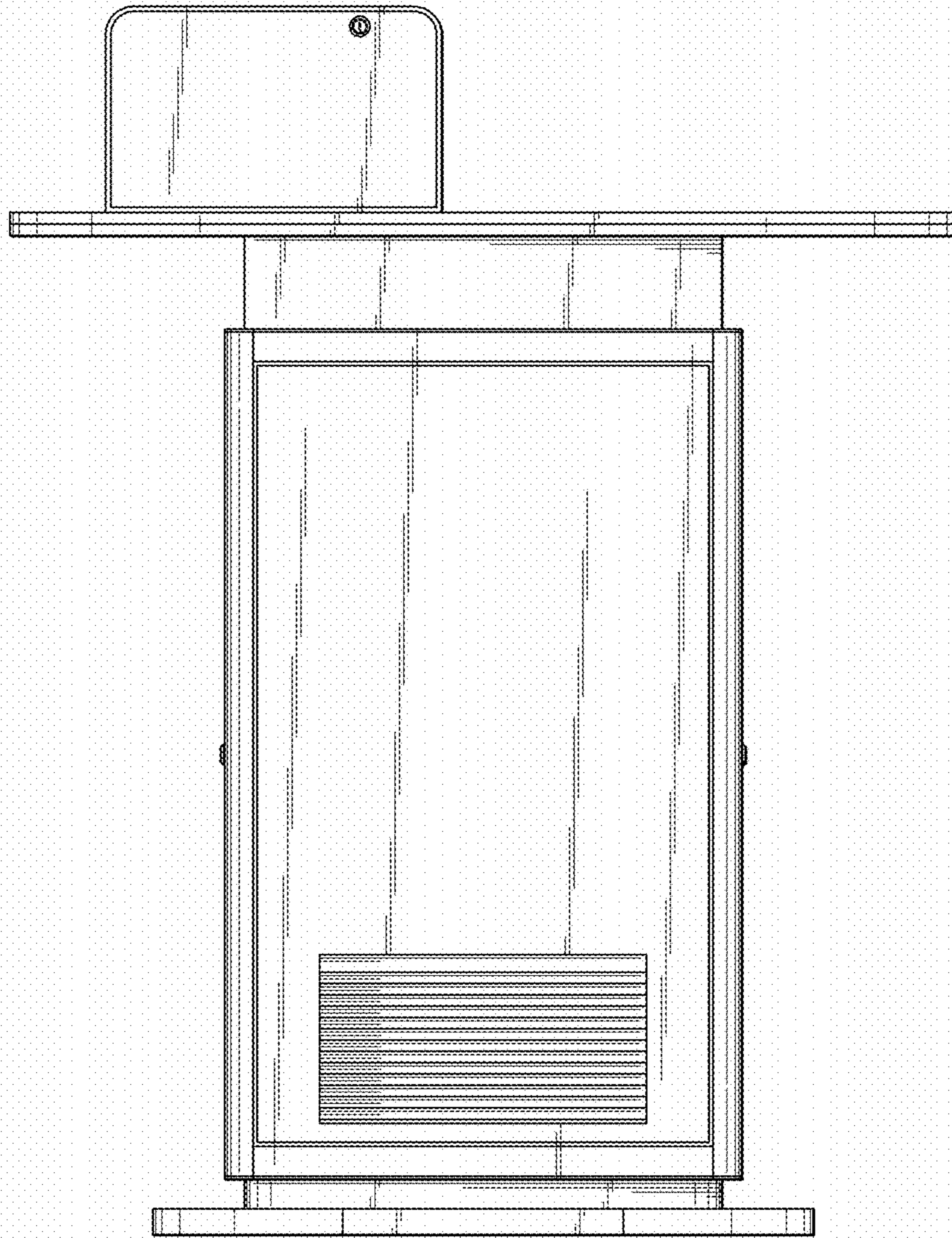


FIG. 4

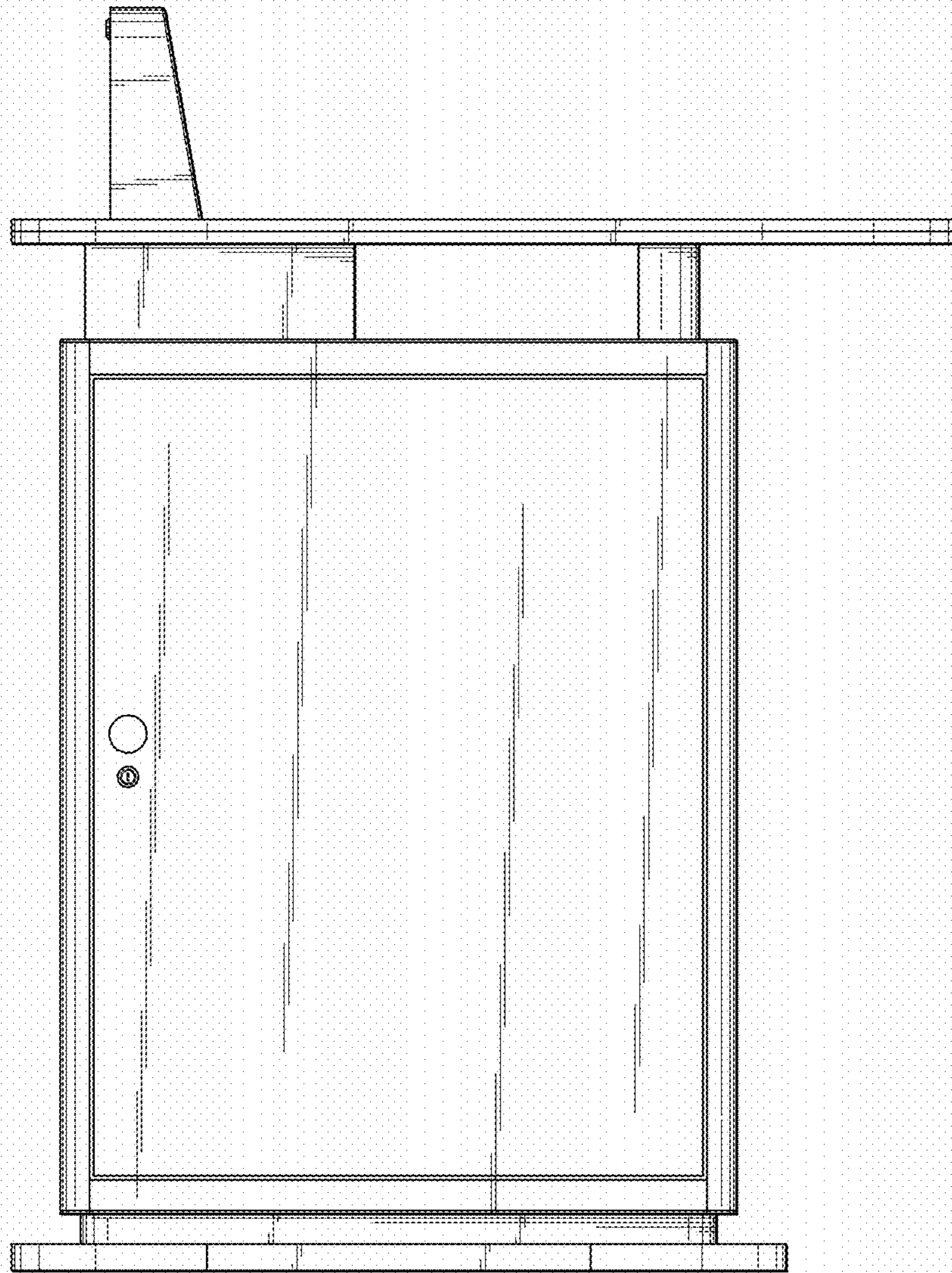


FIG. 5

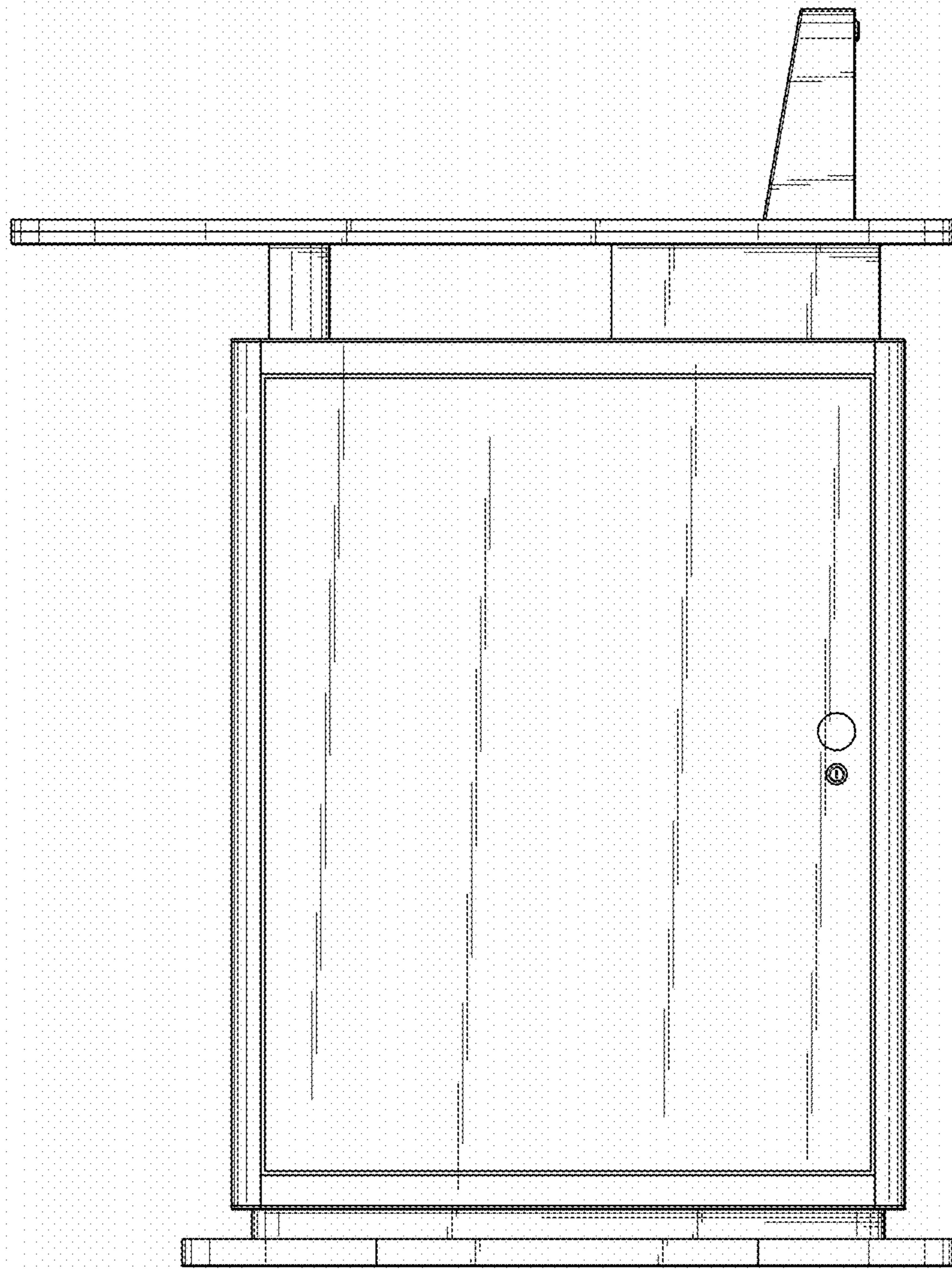


FIG. 6

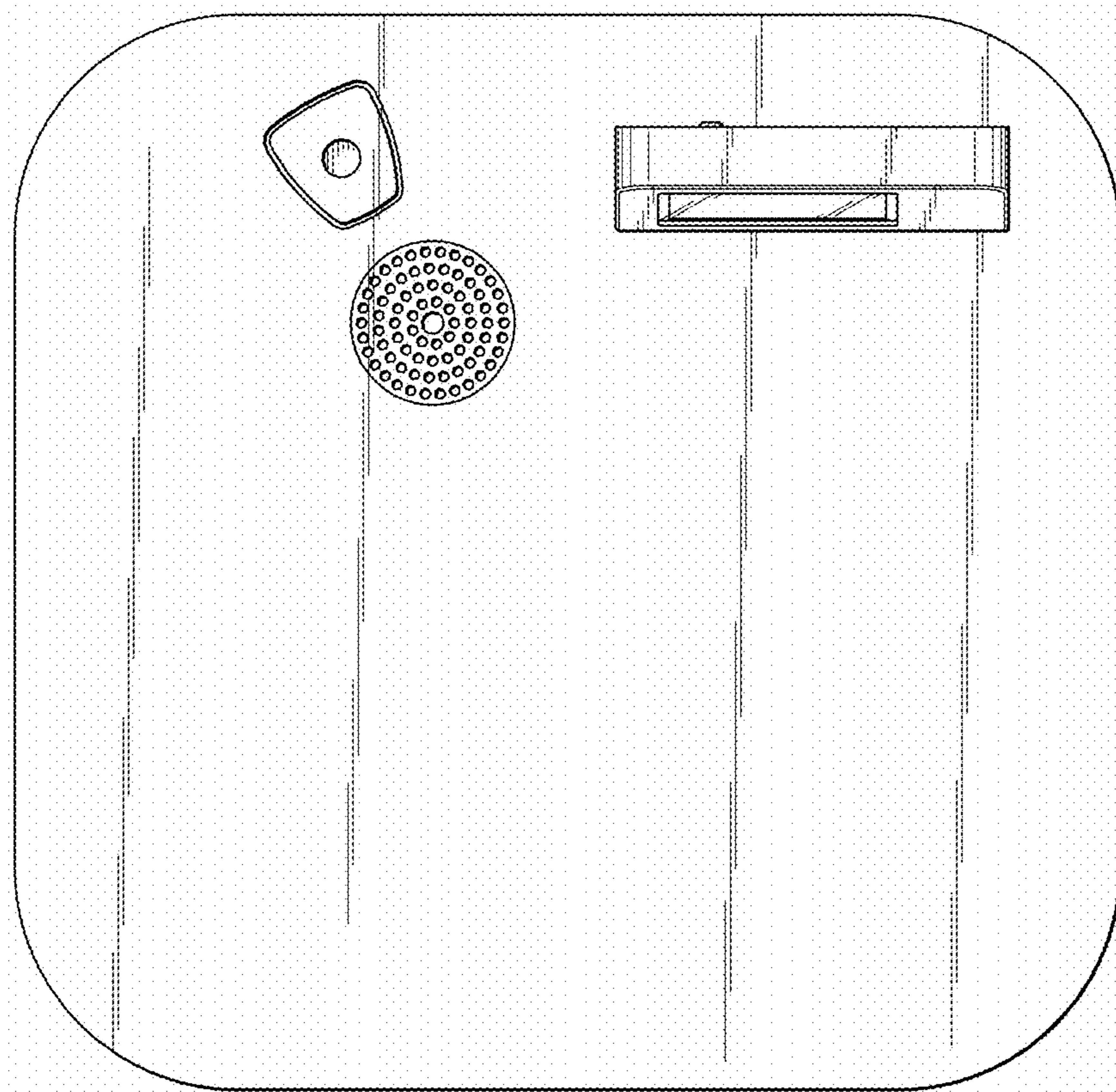


FIG. 7

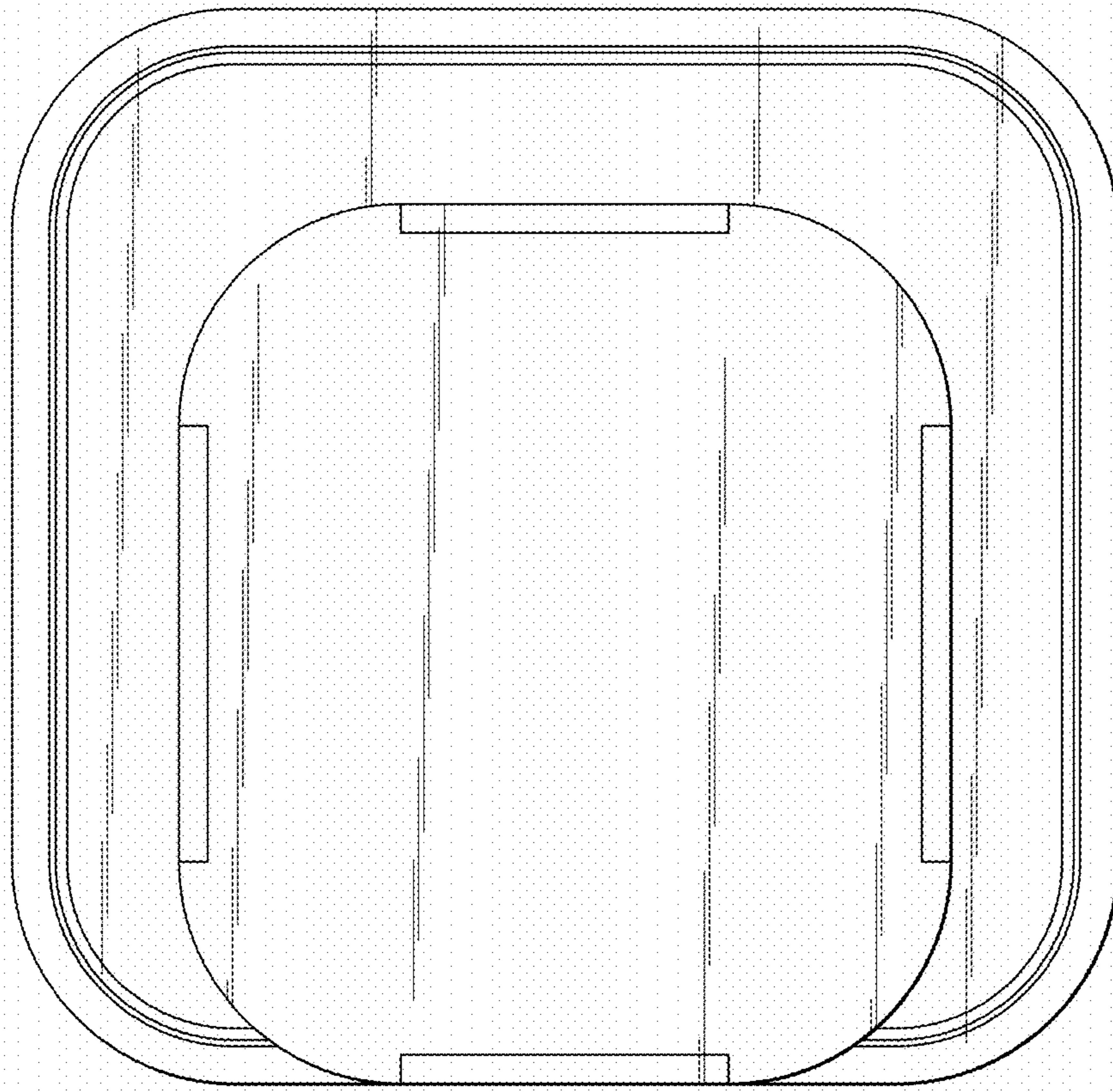


FIG. 8

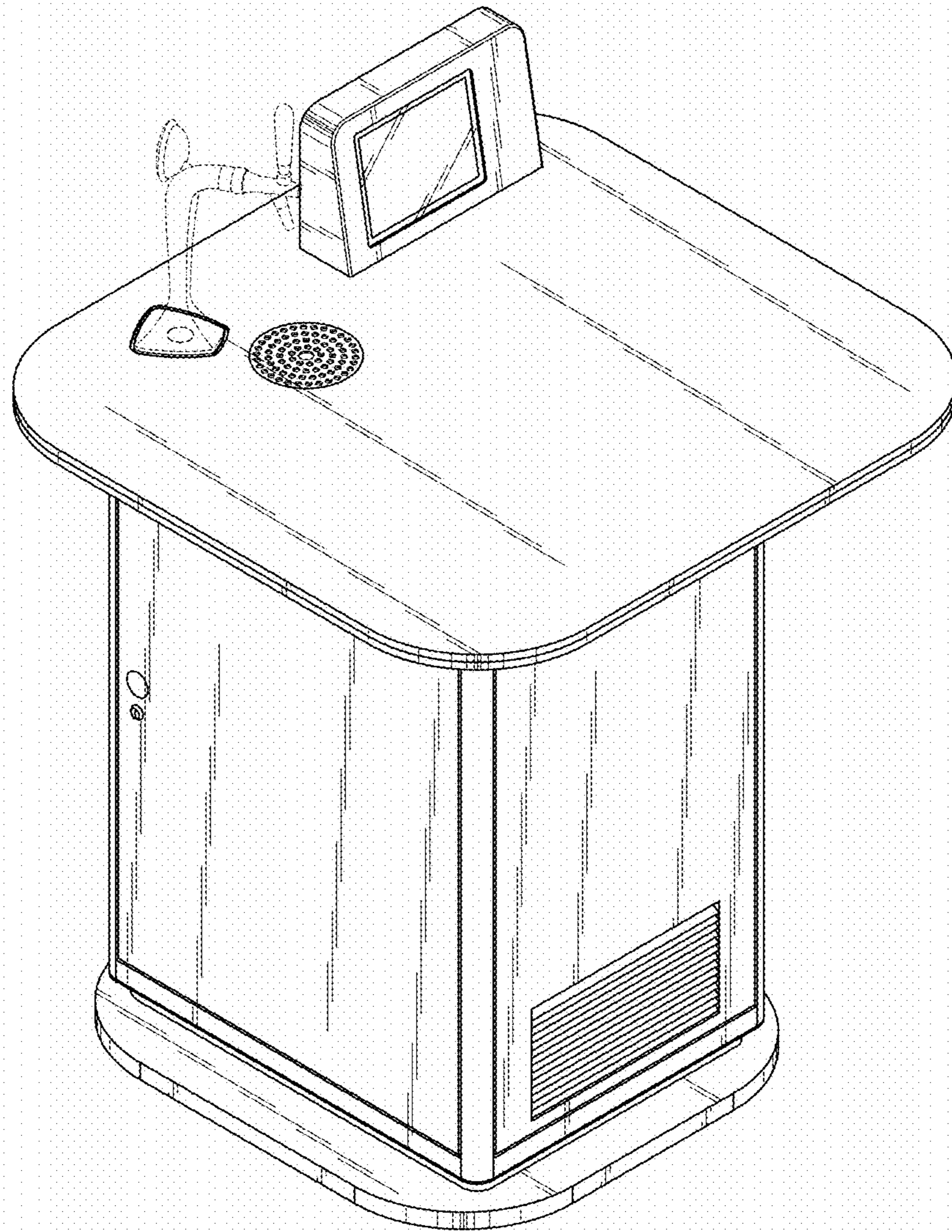


FIG. 9