



US00D688900S

(12) **United States Design Patent**  
**McBrearty**

(10) **Patent No.:** **US D688,900 S**

(45) **Date of Patent:** **\*\* Sep. 3, 2013**

(54) **BEACH TOWEL**

(75) Inventor: **Alan McBrearty**, Boca Raton, FL (US)

(73) Assignee: **Alpha Sun & Sport—AS & S, LLC**,  
Pompano Beach, FL (US)

(\*\*) Term: **14 Years**

(21) Appl. No.: **29/364,409**

(22) Filed: **Jun. 23, 2010**

(51) **LOC (9) Cl.** ..... **06-13**

(52) **U.S. Cl.**  
USPC ..... **D6/608**

(58) **Field of Classification Search**  
USPC ..... D6/608, 602, 603, 612, 616, 617,  
D6/582, 583, 594; 5/417-420; 297/229  
See application file for complete search history.

(56) **References Cited**

**U.S. PATENT DOCUMENTS**

1,756,380	A *	4/1930	Osborn	.....	428/71
D122,495	S *	9/1940	Marghab	.....	D6/616
2,264,471	A *	12/1941	Glenn	.....	5/419
2,560,332	A *	7/1951	Crane	.....	604/366
2,754,532	A *	7/1956	Kanehl et al.	.....	15/209.1
3,237,904	A *	3/1966	Abruzese	.....	248/508
D232,408	S *	8/1974	Karney	.....	D6/609
3,862,876	A *	1/1975	Graves	.....	428/83
4,200,942	A *	5/1980	Case	.....	5/655.3
4,278,719	A *	7/1981	Sarnecki	.....	428/78
D280,170	S *	8/1985	Short	.....	D6/608
4,877,288	A *	10/1989	Lee	.....	297/229
5,163,192	A *	11/1992	Watson	.....	5/419
D335,236	S *	5/1993	Wood	.....	D6/608
D339,496	S *	9/1993	Corcoran	.....	D6/608
D349,625	S *	8/1994	daPalma	.....	D6/596
D379,129	S *	5/1997	Yost et al.	.....	D6/596
D382,757	S *	8/1997	Vick	.....	D6/608
D383,634	S *	9/1997	Selph	.....	D6/596
D385,742	S *	11/1997	Bird	.....	D6/608

D389,362	S *	1/1998	Boulatian	.....	D6/608
5,724,698	A *	3/1998	Mondragon	.....	15/209.1
5,843,556	A *	12/1998	Levas	.....	428/99
D403,547	S *	1/1999	Adkins	.....	D6/582
6,226,813	B1 *	5/2001	Wilburn et al.	.....	5/417
D446,986	S *	8/2001	McCumber, Jr.	.....	D6/608
D455,929	S *	4/2002	Tweel	.....	D6/617
D478,452	S *	8/2003	Kafka et al.	.....	D6/583
D478,455	S *	8/2003	Papazian	.....	D6/608
6,616,225	B2 *	9/2003	Graff	.....	297/229
6,631,527	B2 *	10/2003	Hyduk	.....	5/417
D498,107	S *	11/2004	Sheppard, Jr.	.....	D6/608

(Continued)

**OTHER PUBLICATIONS**

Linens, Domestic & Bath Products, Jan. 1986, p. 30, rectangular placemat with border, bottom of Group A.\*

(Continued)

*Primary Examiner* — Lucy Lieberman

(74) *Attorney, Agent, or Firm* — Symbus Law Group, LLC;  
Clifford D. Hyra

(57) **CLAIM**

The ornamental design for a beach towel, as shown and described.

**DESCRIPTION**

FIG. 1 is a top perspective view of a beach towel, showing my new design;

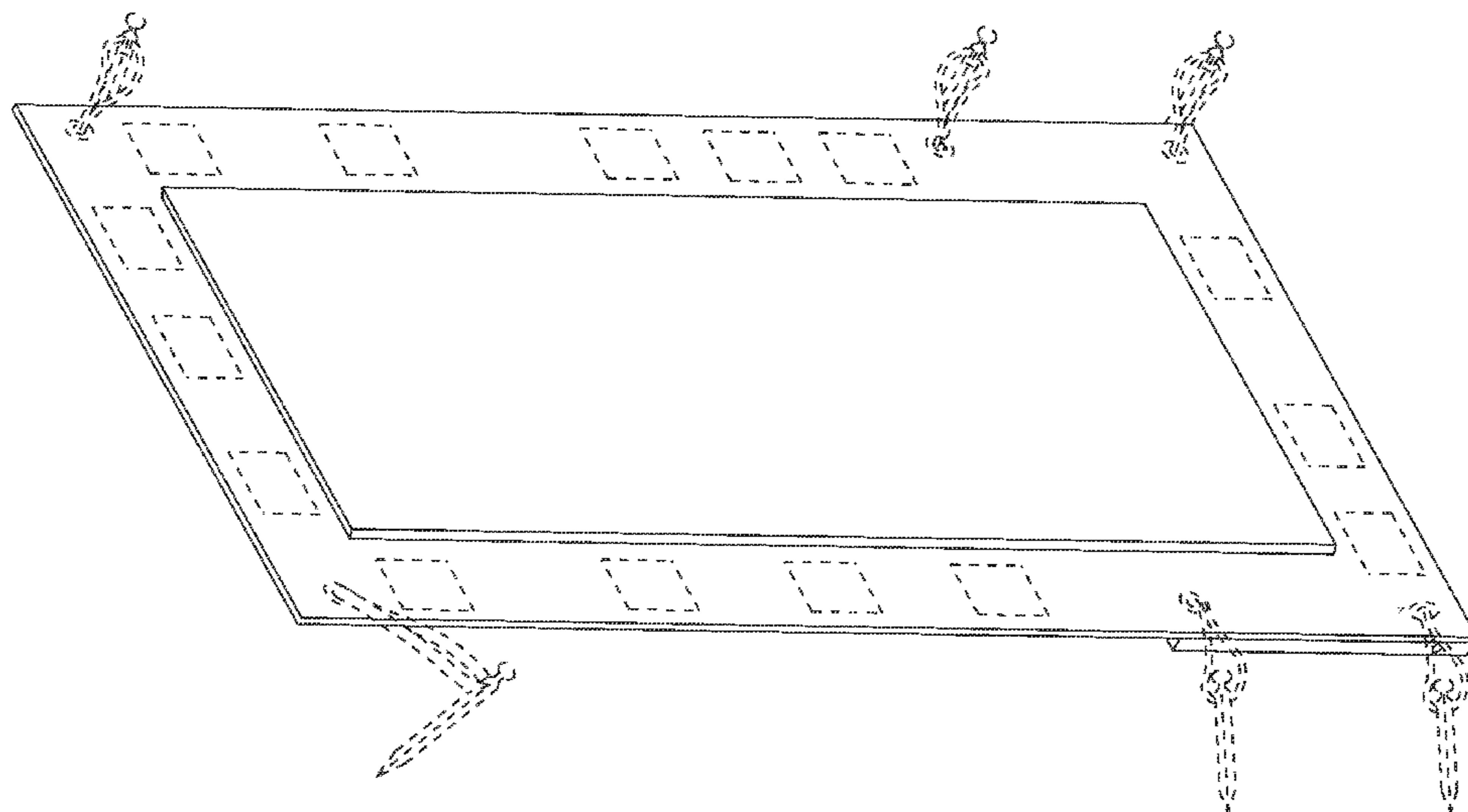
FIG. 2 is a top plan view of a beach towel, showing my new design;

FIG. 3 is a bottom perspective view of a beach towel, showing my new design; and,

FIG. 4 is a bottom plan view of a beach towel, showing my new design.

The broken lines in FIGS. 1-4 are included for the purpose of illustrating a portion of the beach towel that forms no part of the claimed design.

**1 Claim, 4 Drawing Sheets**



(56)

**References Cited**

U.S. PATENT DOCUMENTS

6,839,921 B2 \* 1/2005 Cloutier et al. .... 5/417  
D509,093 S \* 9/2005 Sheppard, Jr. .... D6/608  
D520,797 S \* 5/2006 Bosworth ..... D6/582  
D577,241 S \* 9/2008 Kennedy ..... D6/582  
D623,882 S \* 9/2010 Oster ..... D6/582  
D646,102 S \* 10/2011 Margalit ..... D6/608

OTHER PUBLICATIONS

Linens, Domestic & Bath Products/Interior Textiles, Sep. 1989, p. 72, rectangular beach towel with border, third from left, bottom of page.\*  
JC Penney Catalog, Spring/Summer 1987, p. 941, tub mat, bottom of page.\*

\* cited by examiner

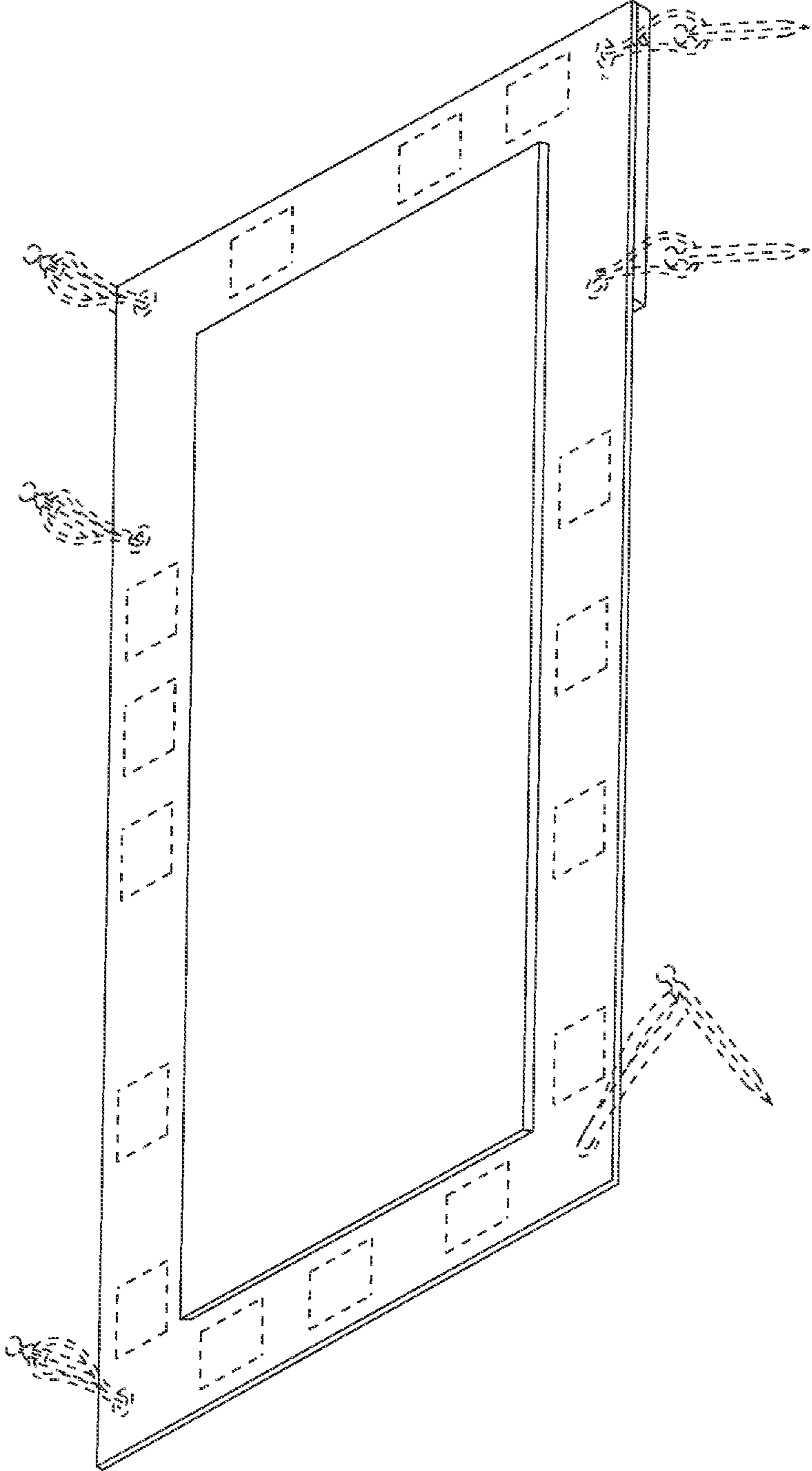


FIG. 1

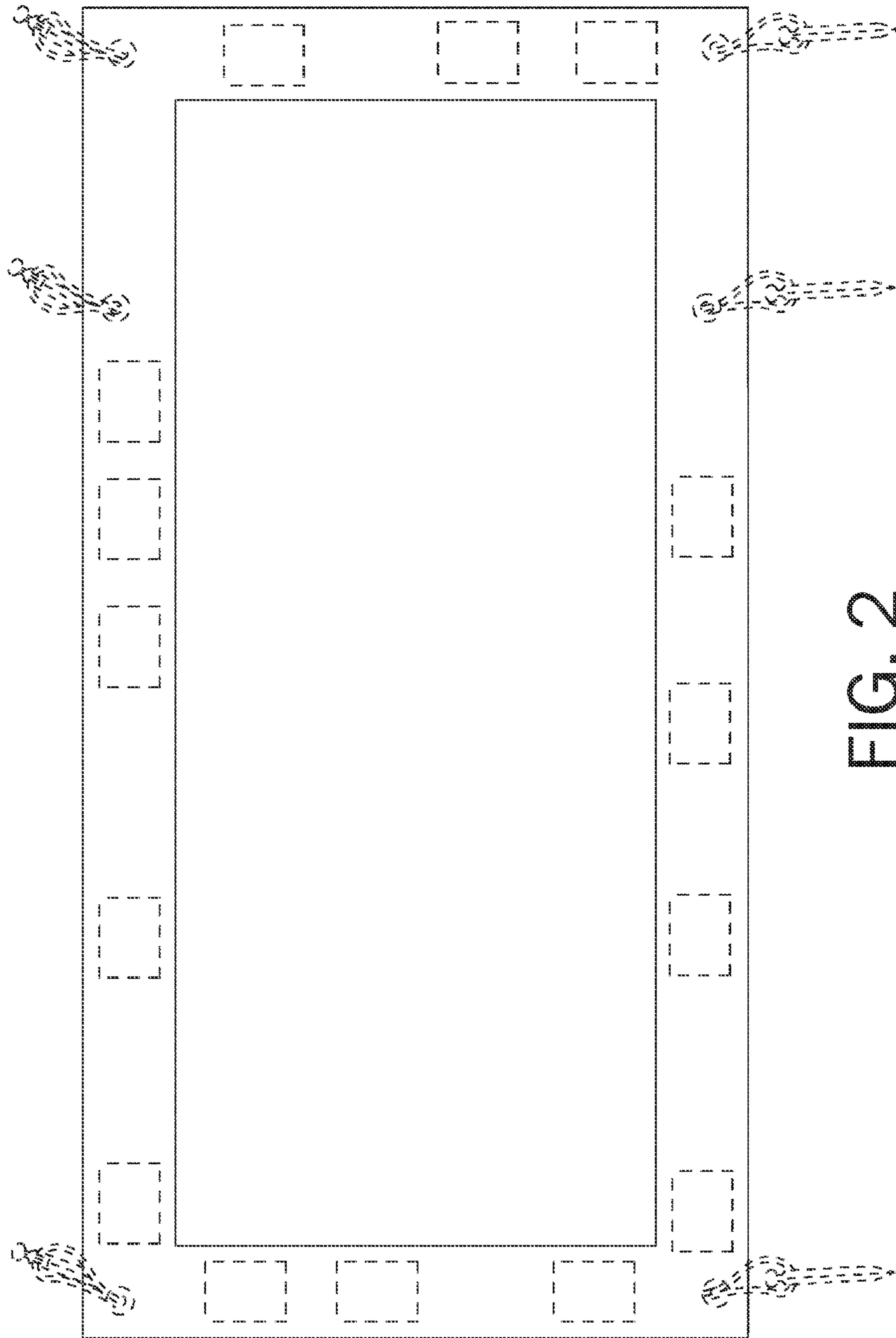


FIG. 2

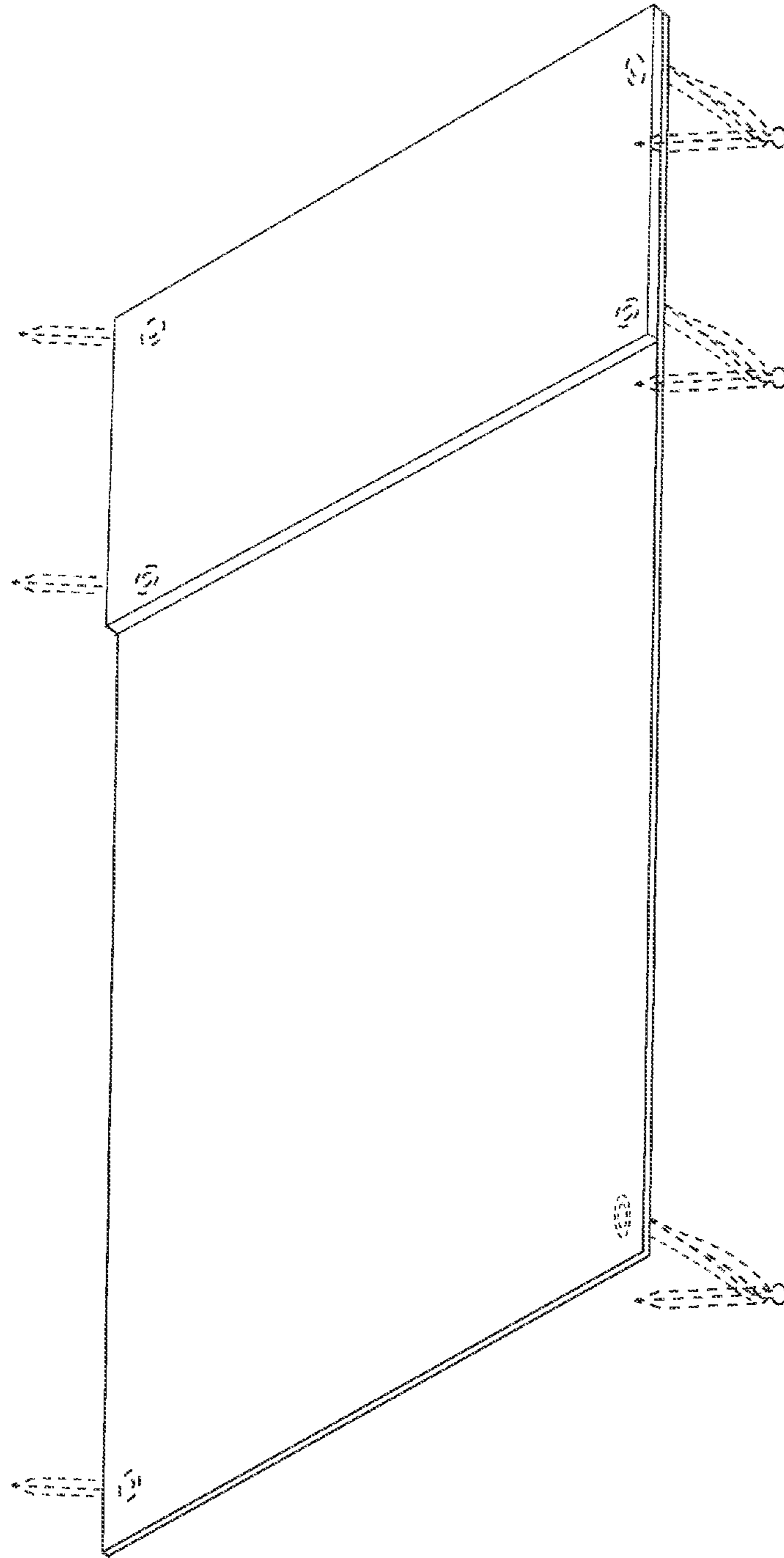


FIG. 3

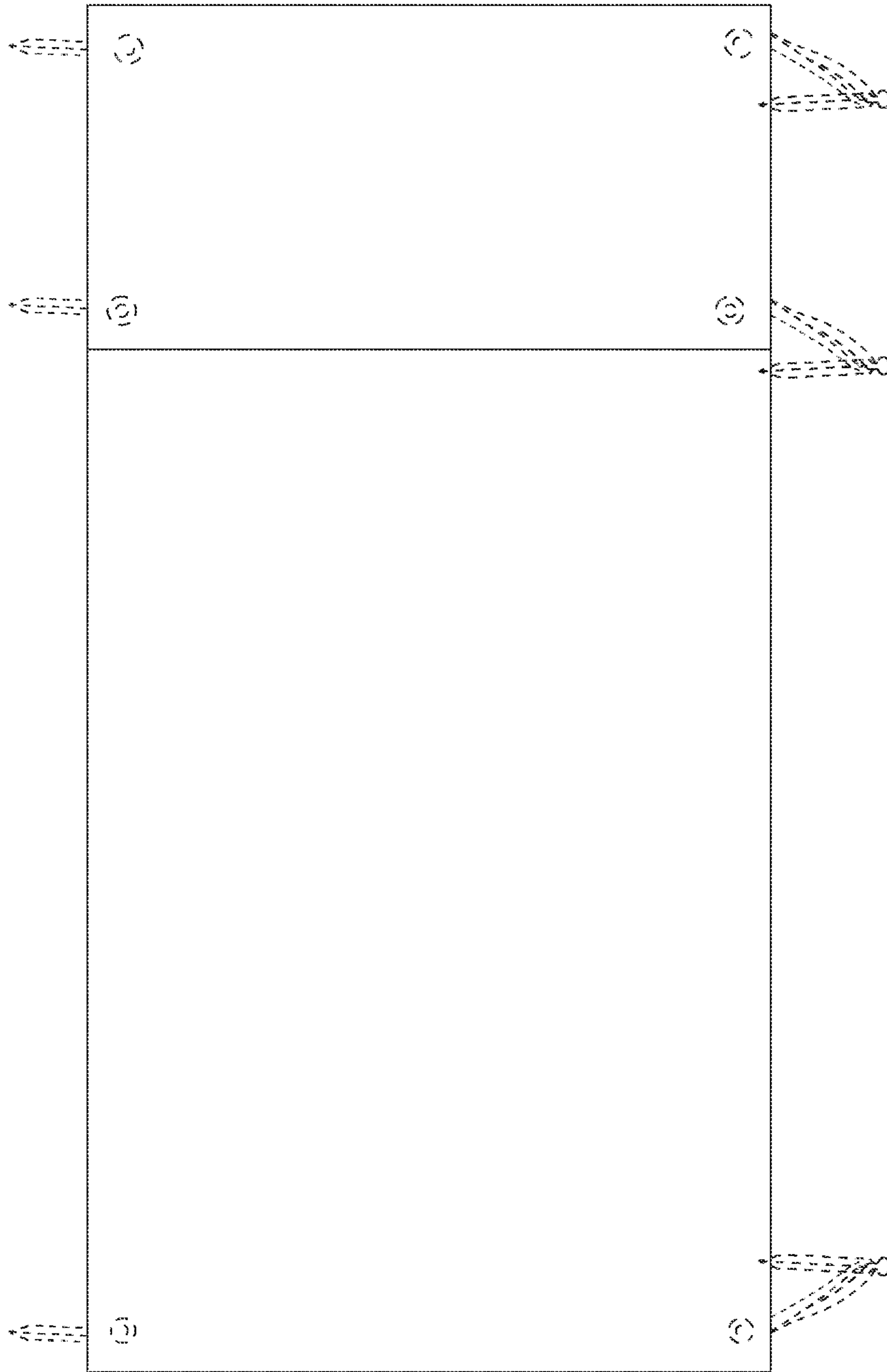


FIG. 4