



US00D688899S

(12) **United States Design Patent**
Chiang et al.

(10) **Patent No.:** **US D688,899 S**
(45) **Date of Patent:** **** Sep. 3, 2013**

(54) **AIR MATTRESS**

(76) Inventors: **Chin-Hui Chiang**, Taipei (TW); **Ryan Chiang**, Taipei (TW)

(**) Term: **14 Years**

(21) Appl. No.: **29/424,164**

(22) Filed: **Jun. 8, 2012**

(51) **LOC (9) Cl.** **06-09**

(52) **U.S. Cl.**

USPC **D6/604**; D6/596

(58) **Field of Classification Search**

USPC D6/595–597, 601, 604; 5/630, 633,
5/636–639, 644, 652, 652.1, 653, 654, 655.3,
5/655.6, 655.9, 656; D21/803, 809

See application file for complete search history.

(56) **References Cited**

U.S. PATENT DOCUMENTS

D236,287 S *	8/1975	McNair	D6/596
D300,694 S *	4/1989	Krok	D6/333
D513,915 S *	1/2006	Jacklin	D6/604
D612,655 S *	3/2010	Holmstedt	D6/604

2002/0133883 A1 *	9/2002	Perez et al.	5/713
2007/0101504 A1 *	5/2007	Gilchrest et al.	5/706
2011/0247142 A1 *	10/2011	Pile	5/710

* cited by examiner

Primary Examiner — Janice Seeger

(57) **CLAIM**

The ornamental design for an air mattress, as shown and described.

DESCRIPTION

FIG. 1 is a perspective view of an air mattress showing our new design;

FIG. 2 is a front elevational view thereof;

FIG. 3 is a rear elevational view thereof;

FIG. 4 is a left elevational view thereof;

FIG. 5 is a right elevational view thereof;

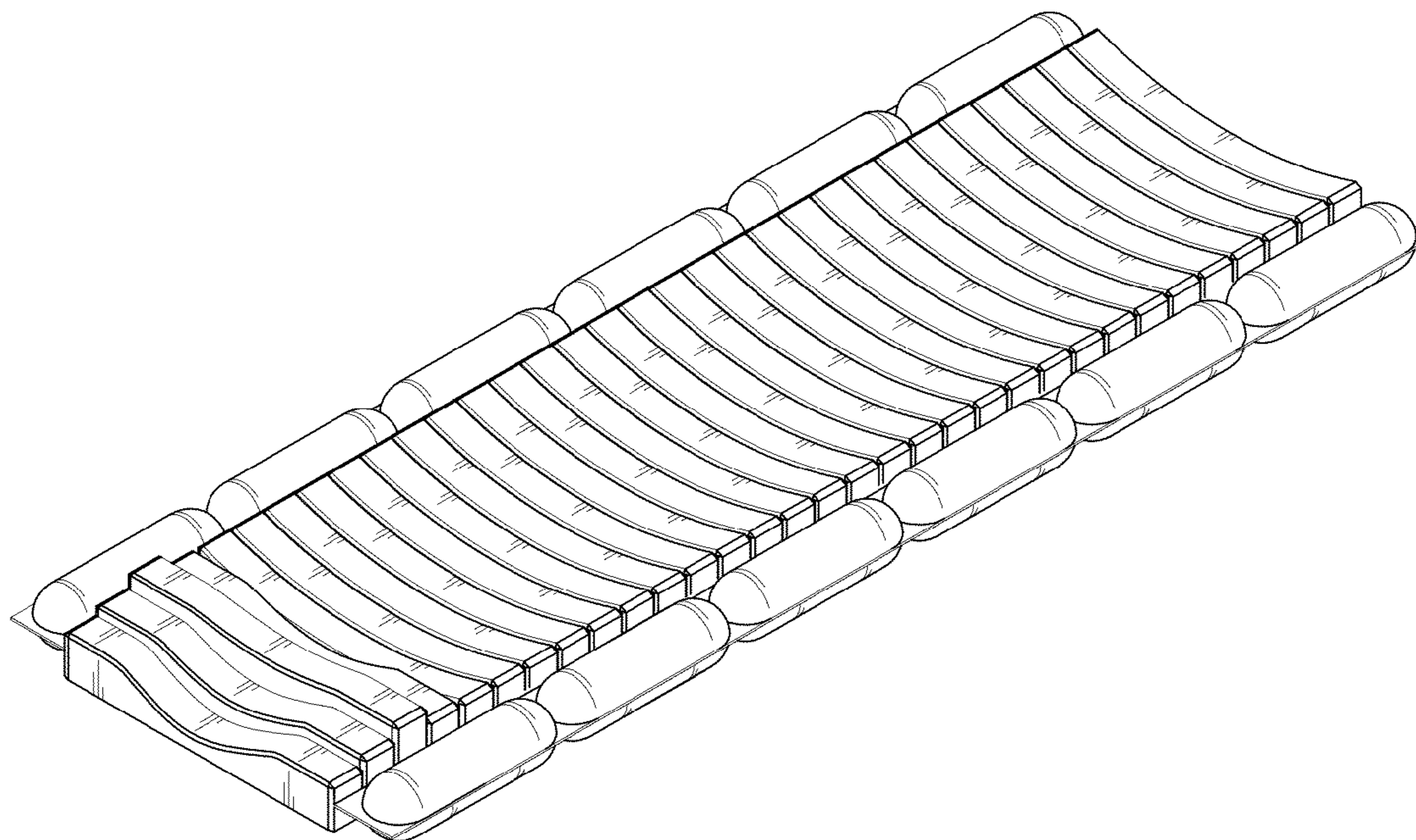
FIG. 6 is a top view thereof;

FIG. 7 is a bottom view thereof; and,

FIG. 8 is a perspective view of the air mattress showing a state of use thereof.

The broken lines are for environmental purposes only and form no part of the claimed design.

1 Claim, 5 Drawing Sheets



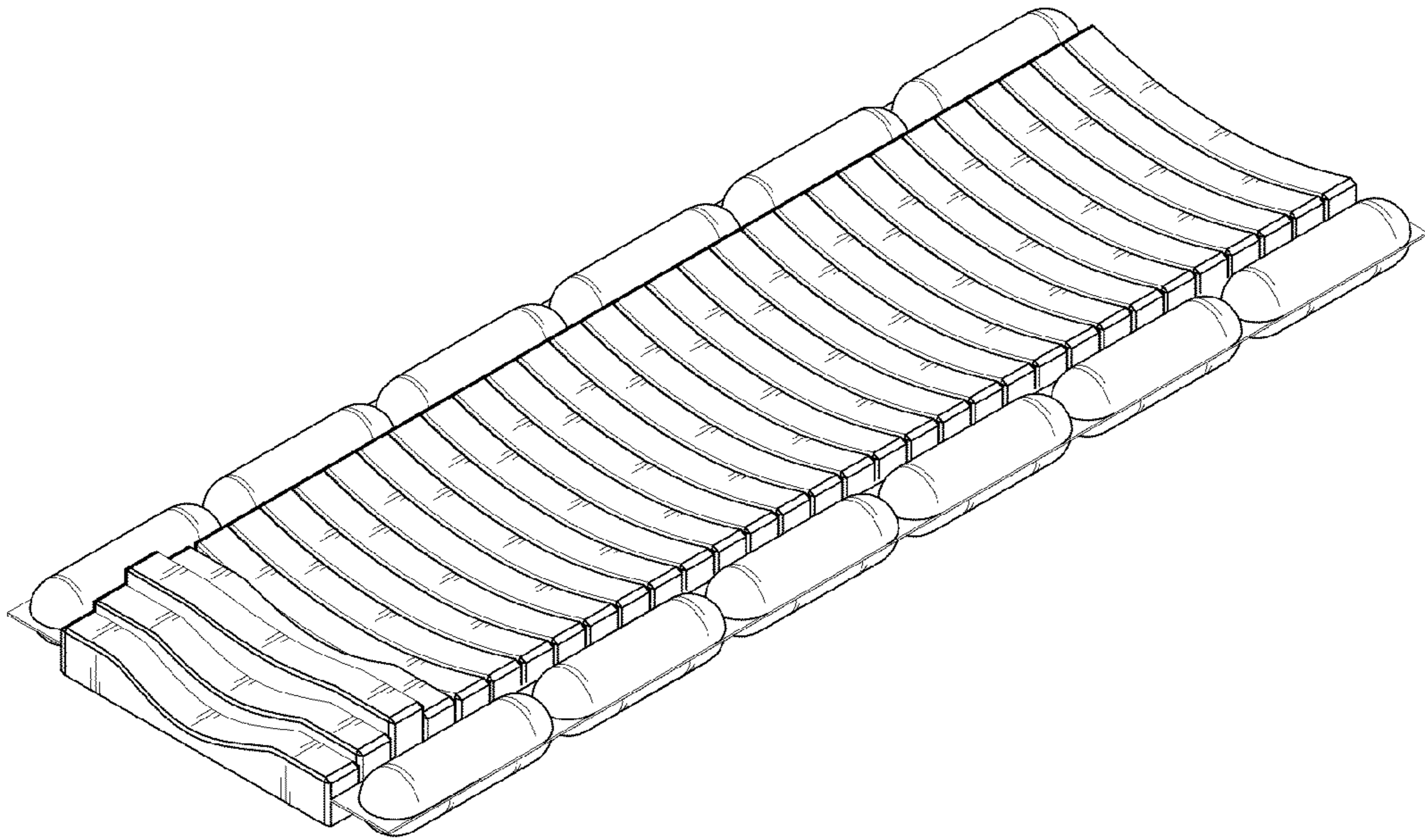


FIG. 1

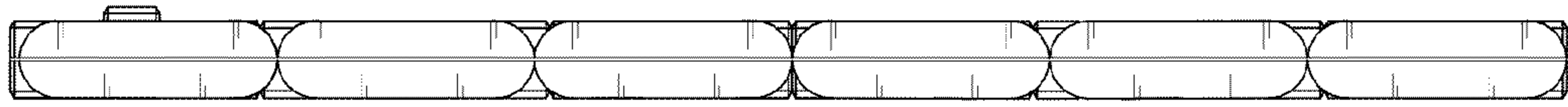


FIG. 2

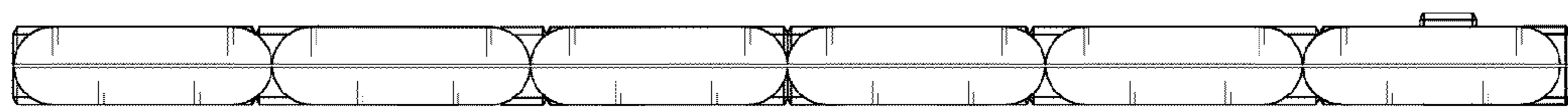


FIG. 3

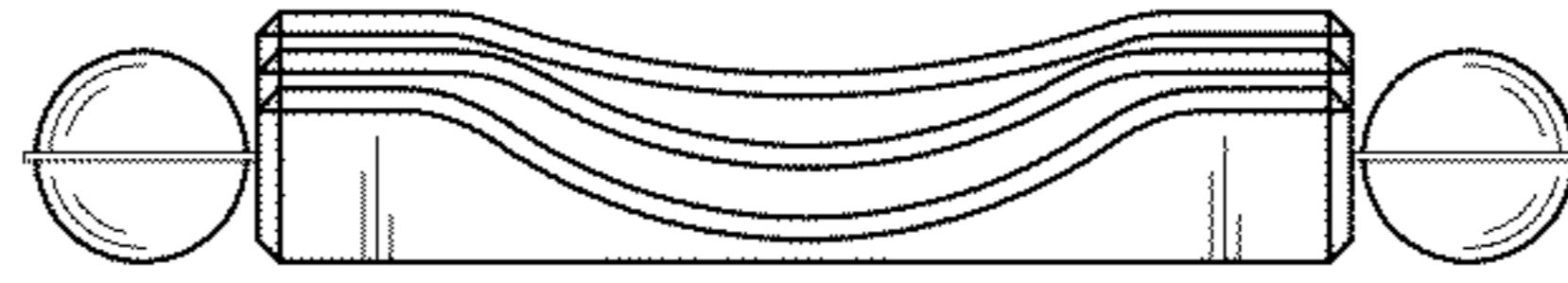


FIG. 4

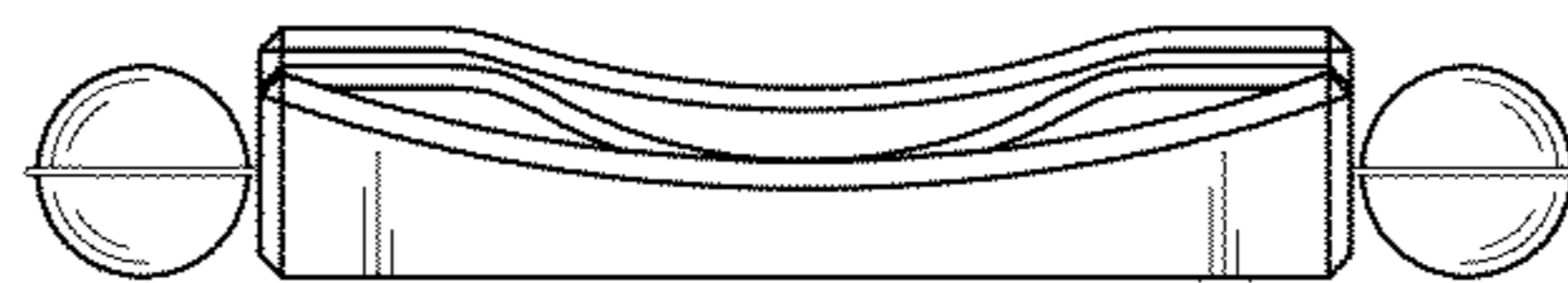


FIG. 5

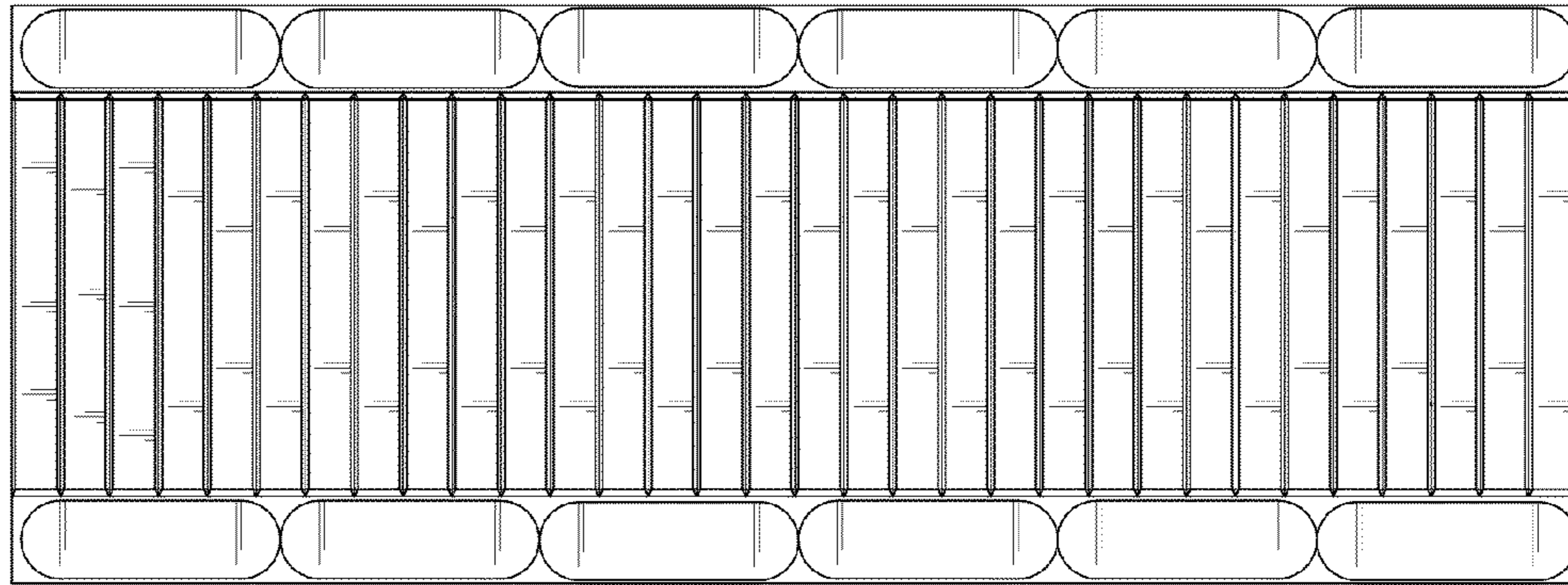


FIG. 6

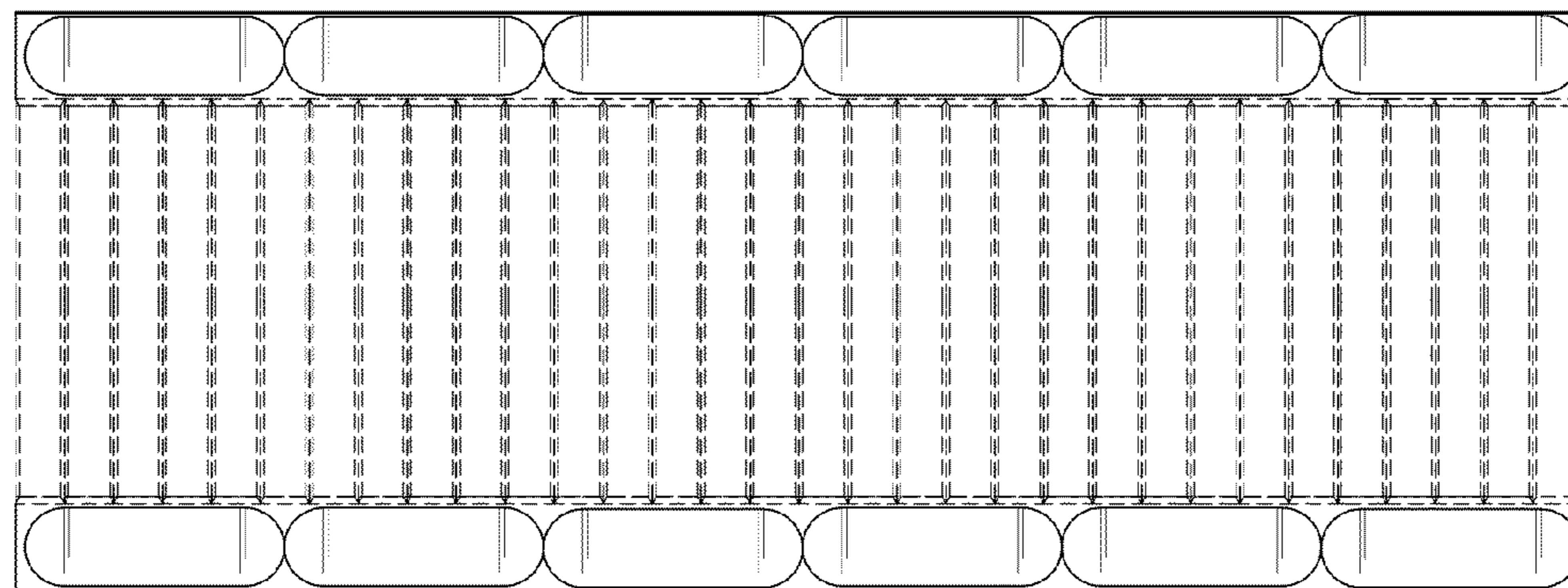


FIG. 7

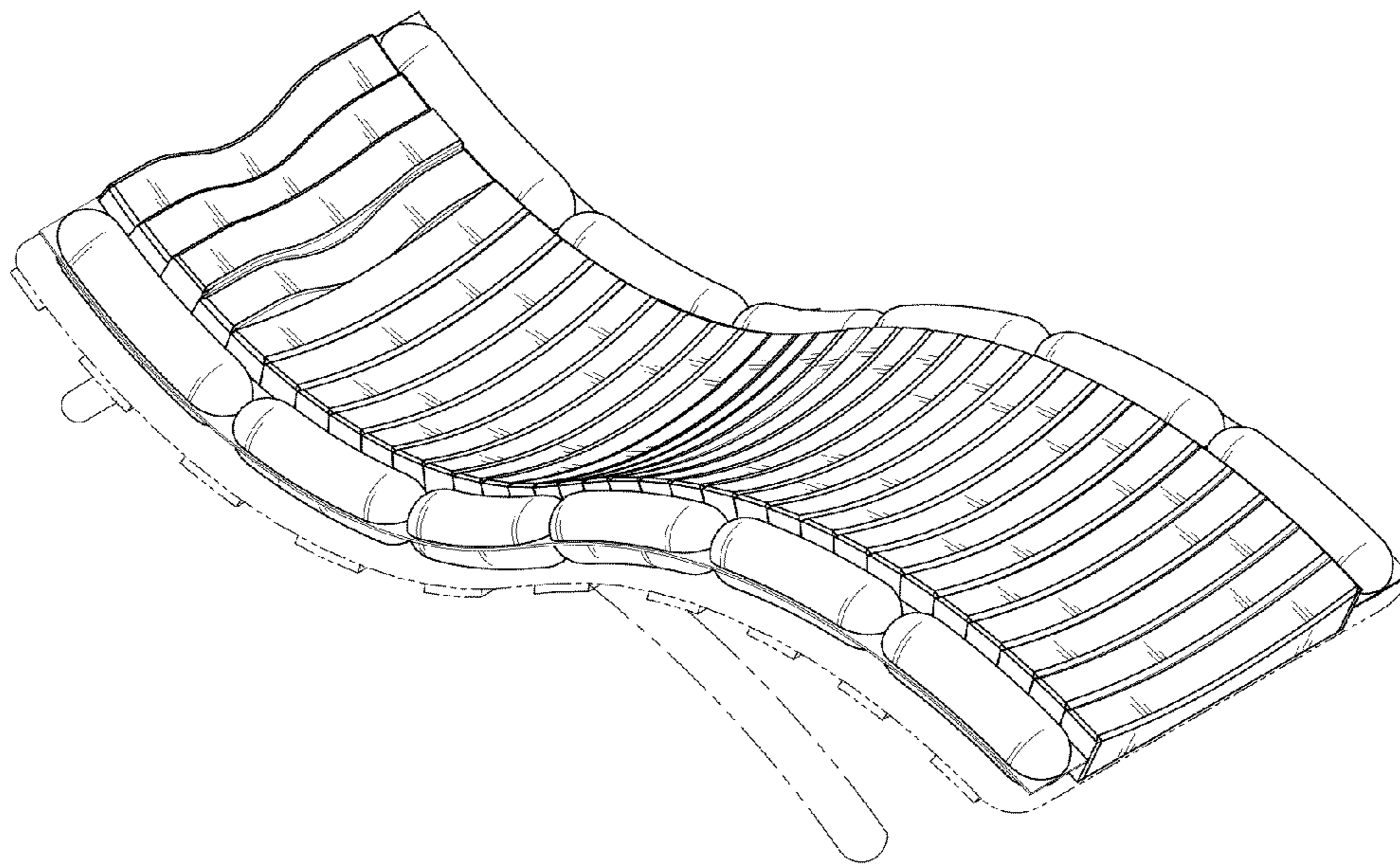


FIG. 8