

US00D688898S

(12) **United States Design Patent**  
**Yang**

(10) **Patent No.:** **US D688,898 S**  
(45) **Date of Patent:** **\*\* Sep. 3, 2013**

(54) **PILLOW**

(75) Inventor: **Chi-Fong Yang**, Taipei (TW)

(73) Assignee: **Test Rite International Company, Ltd.**,  
Taipei (TW)

(\*\*) Term: **14 Years**

(21) Appl. No.: **29/420,220**

(22) Filed: **May 7, 2012**

(30) **Foreign Application Priority Data**

Nov. 15, 2011 (TW) ..... 100306148

(51) **LOC (9) Cl.** ..... **06-09**

(52) **U.S. Cl.**  
USPC ..... **D6/601**

(58) **Field of Classification Search**  
USPC ..... D6/595-597, 601, 604; 5/630, 633,  
5/636-639, 644, 652, 652.1, 653, 654, 655.3,  
5/655.6, 655.9, 656

See application file for complete search history.

(56) **References Cited**

U.S. PATENT DOCUMENTS

D309,070	S	*	7/1990	Burns, Sr.	.....	D6/604
5,675,853	A	*	10/1997	Linge	.....	5/655
D444,980	S	*	7/2001	Mowat et al.	.....	D6/601
D455,311	S	*	4/2002	Fux	.....	D6/601
D466,750	S	*	12/2002	Landvik	.....	D6/601
D476,186	S	*	6/2003	Wang et al.	.....	D6/601
D616,237	S	*	5/2010	Ydremark	.....	D6/601
D635,388	S	*	4/2011	Bamford et al.	.....	D6/601

\* cited by examiner

*Primary Examiner* — Janice Seeger

(74) *Attorney, Agent, or Firm* — Bacon & Thomas, PLLC

(57) **CLAIM**

The ornamental design for a pillow, as shown and described.

**DESCRIPTION**

FIG. 1 is a perspective view of the pillow showing my new design.

FIG. 2 is a another perspective view thereof;

FIG. 3 is a front view thereof;

FIG. 4 is a rear view thereof;

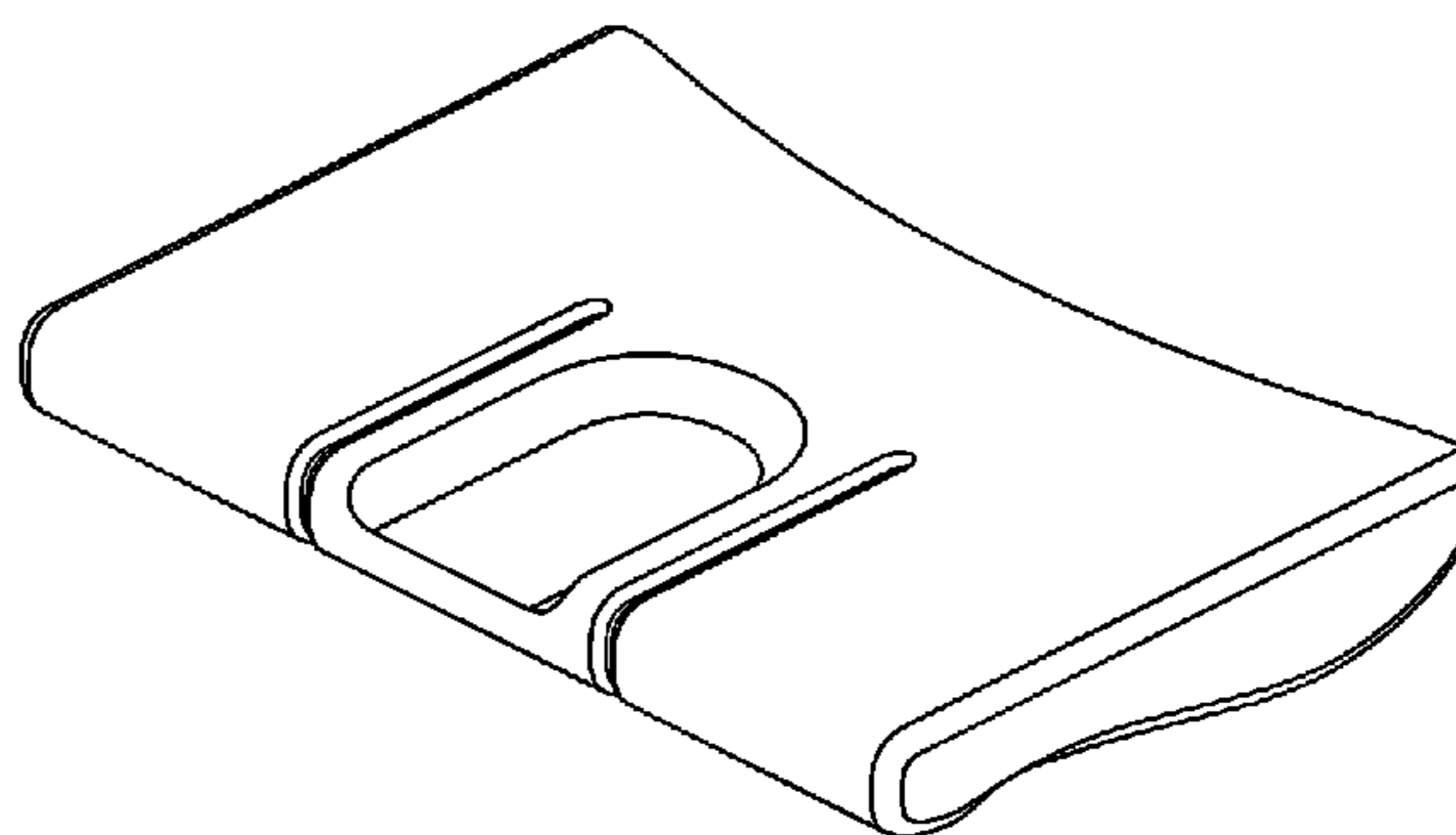
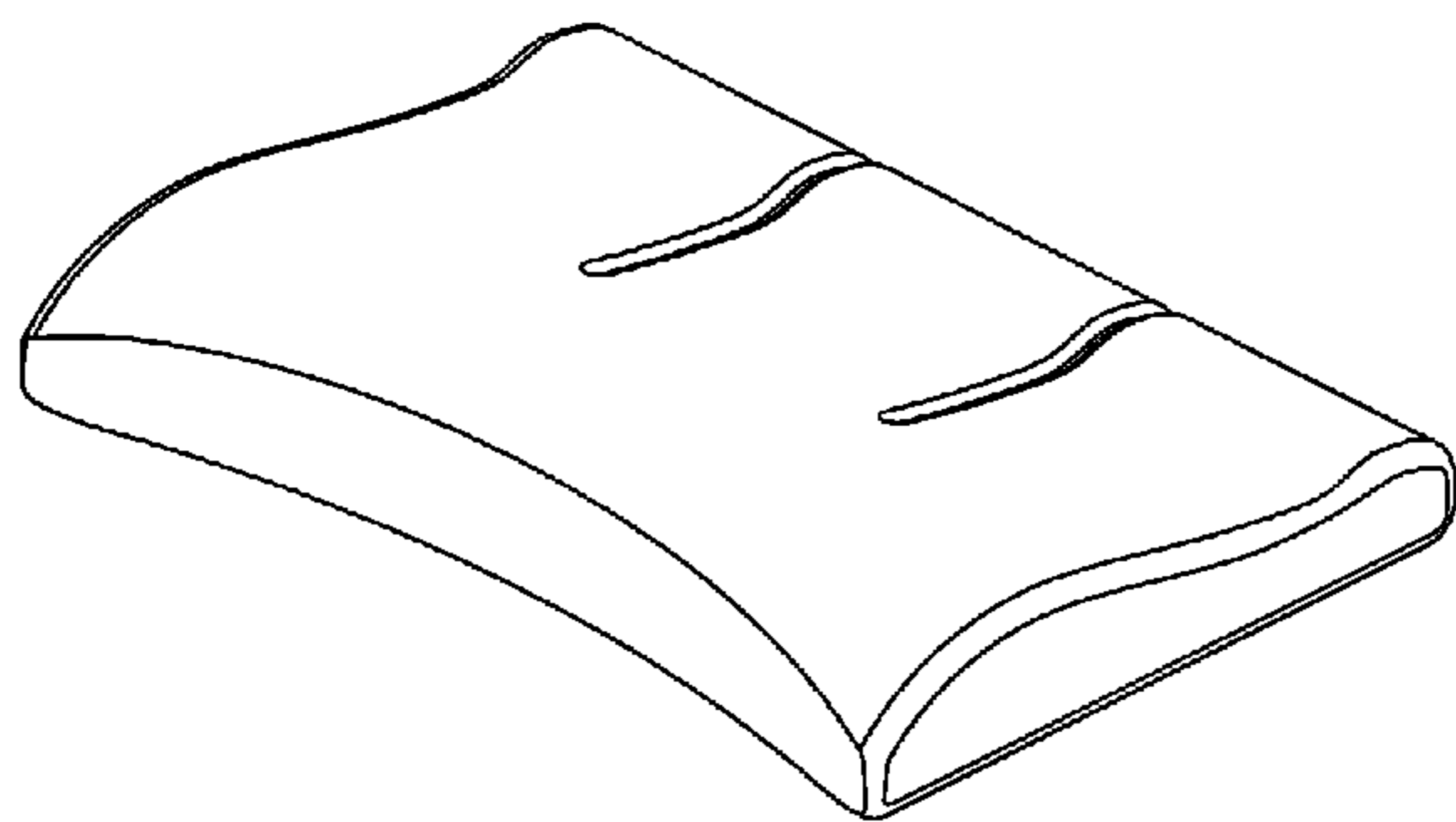
FIG. 5 is a left side view thereof;

FIG. 6 is a right side view thereof;

FIG. 7 is a top view thereof; and,

FIG. 8 is a bottom view thereof.

**1 Claim, 5 Drawing Sheets**



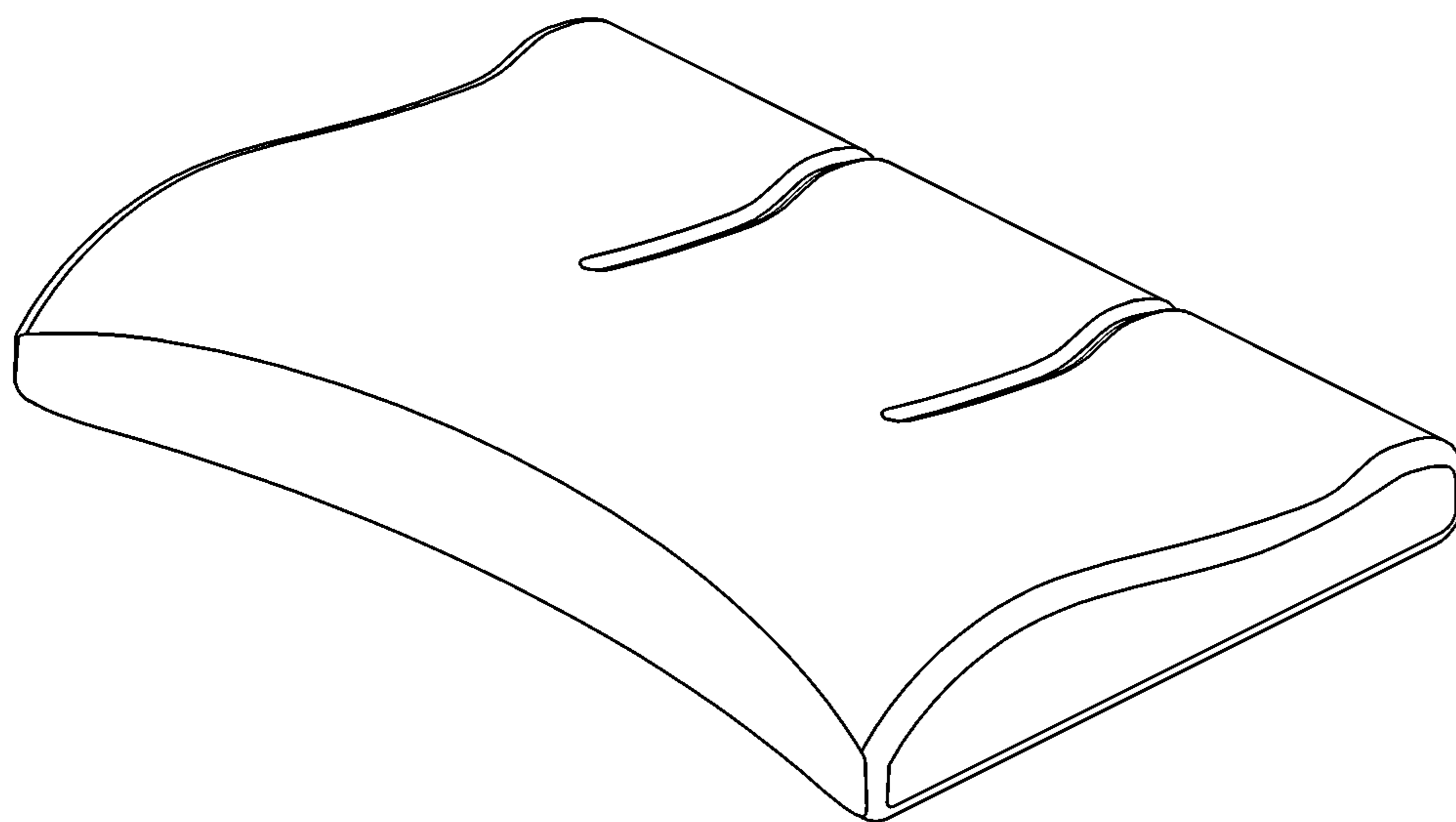


Fig. 1

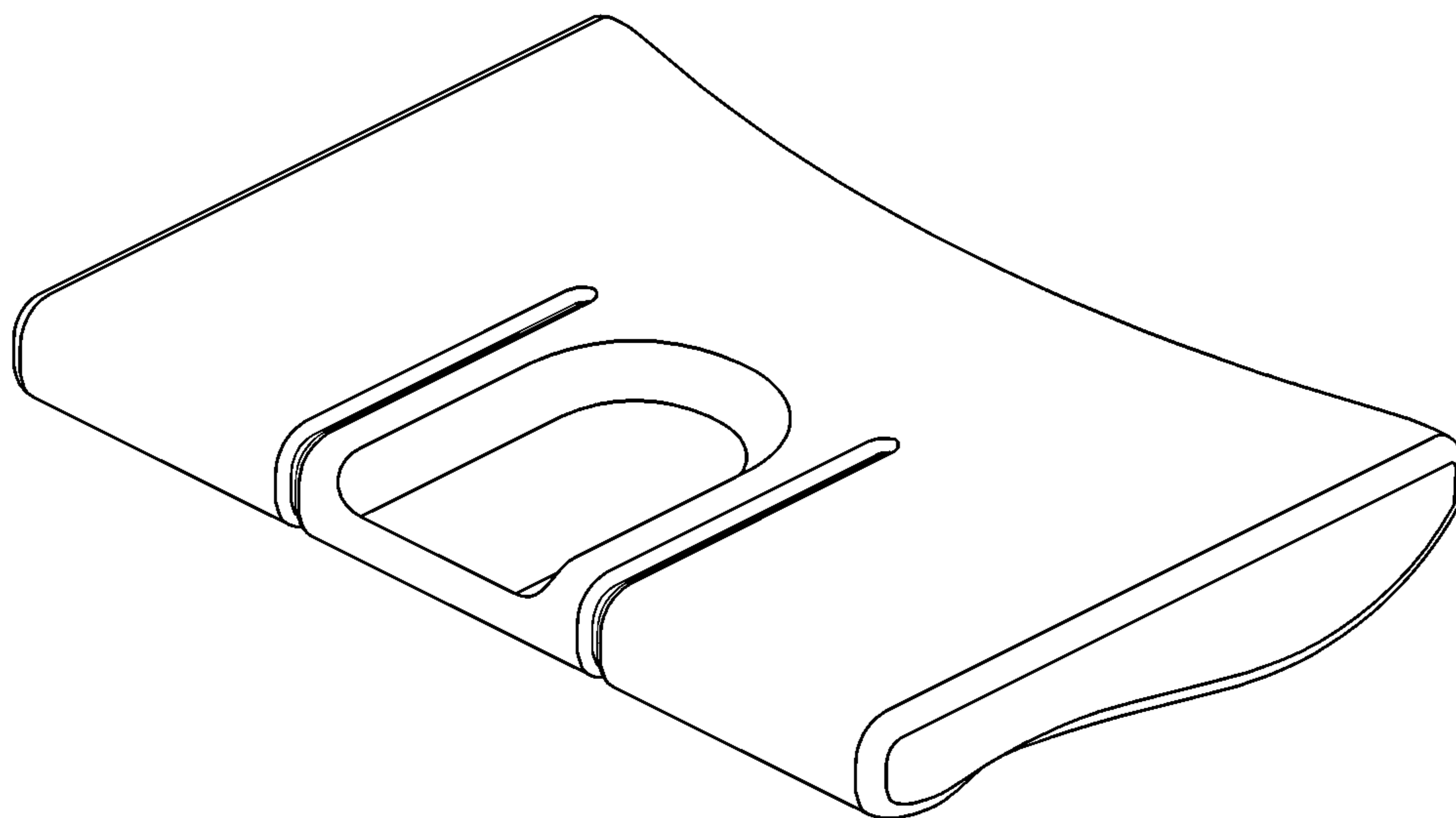


Fig. 2

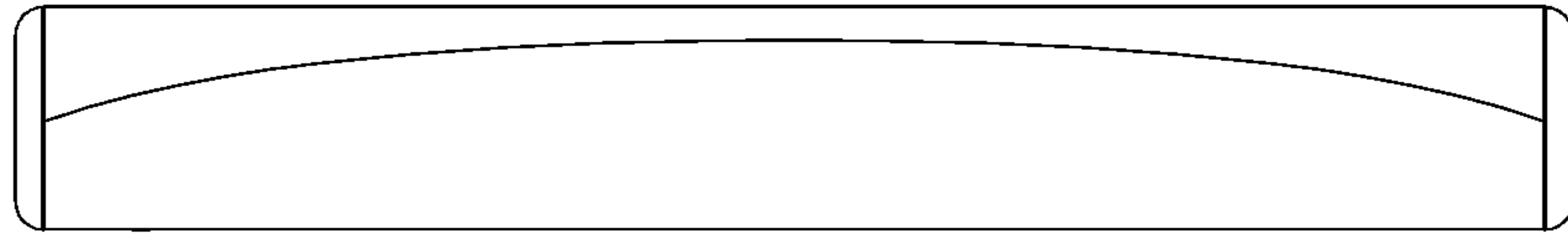


Fig. 3

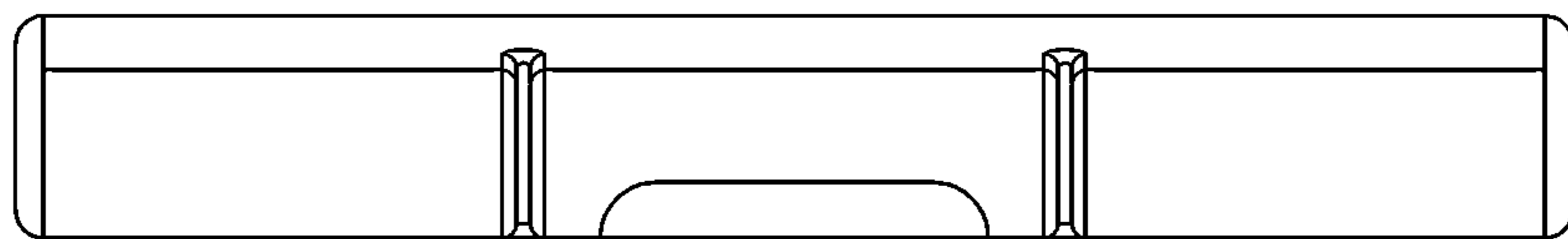


Fig. 4

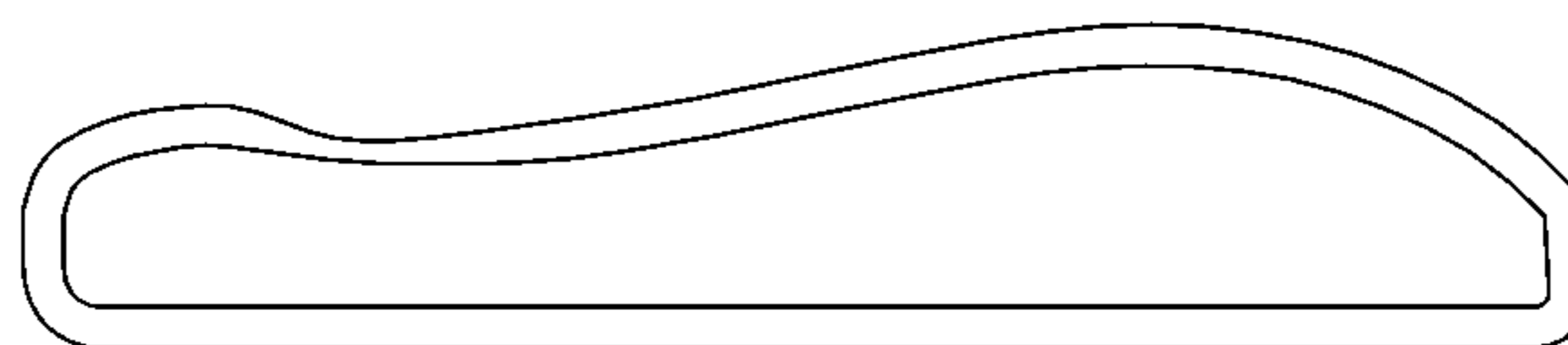


Fig. 5

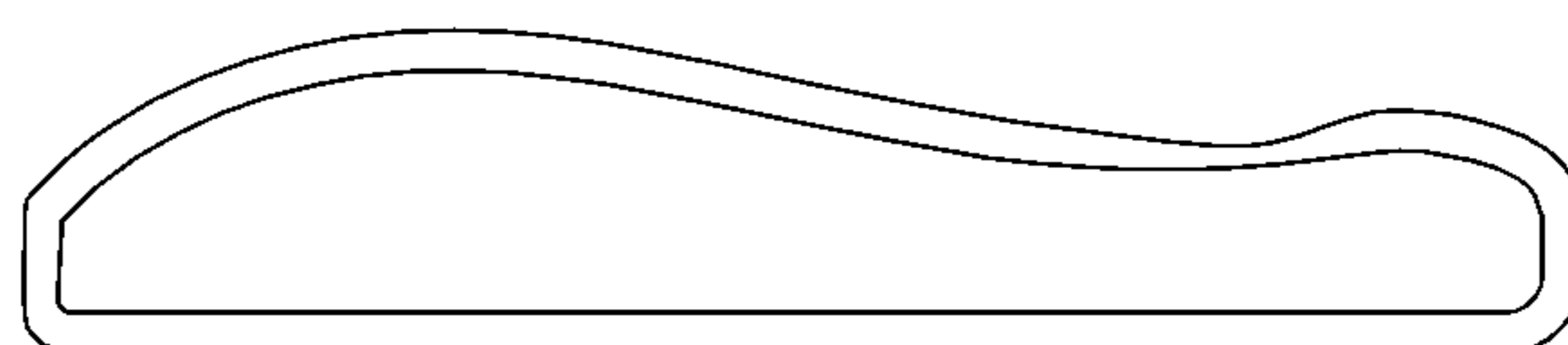


Fig. 6

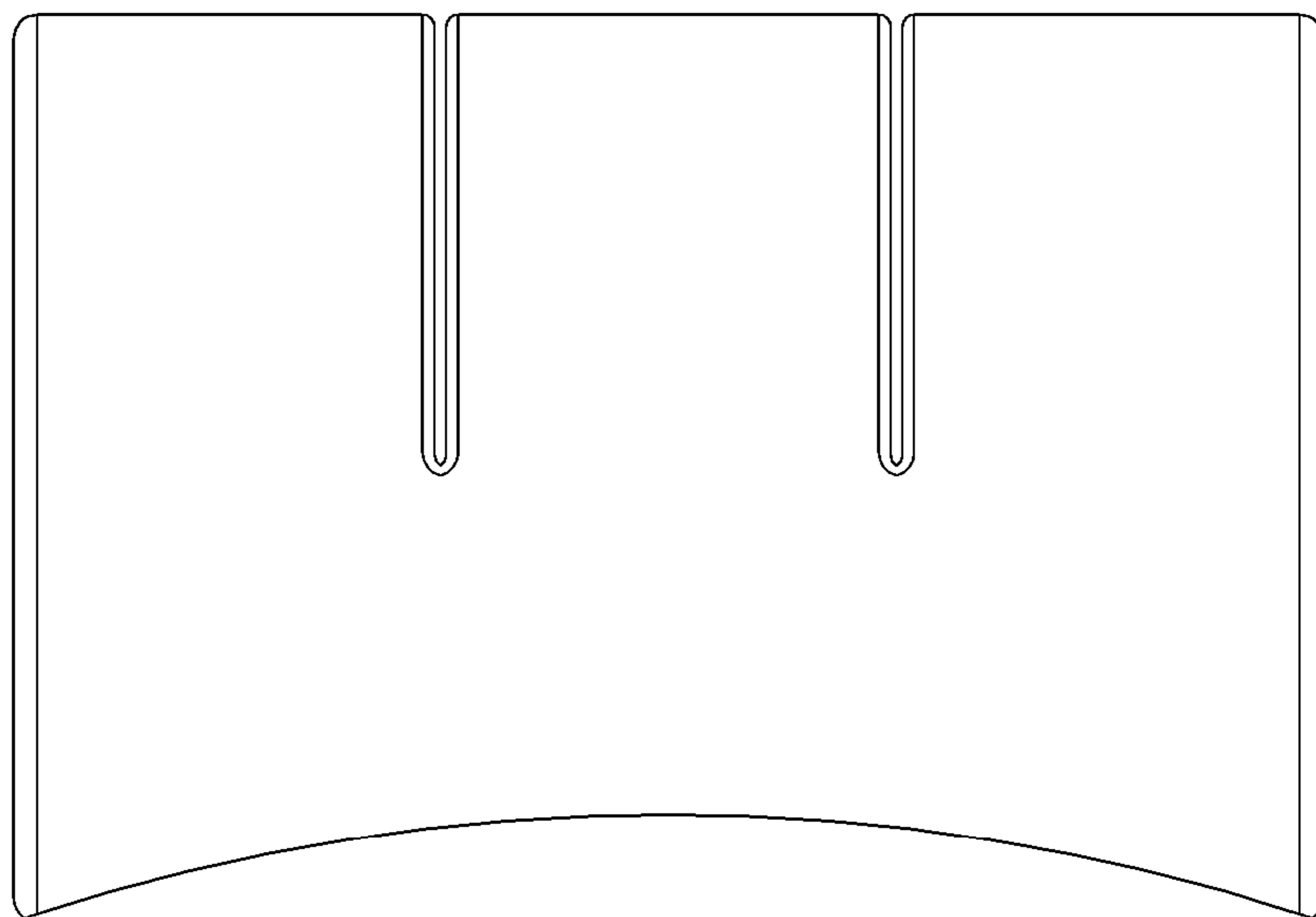


Fig. 7

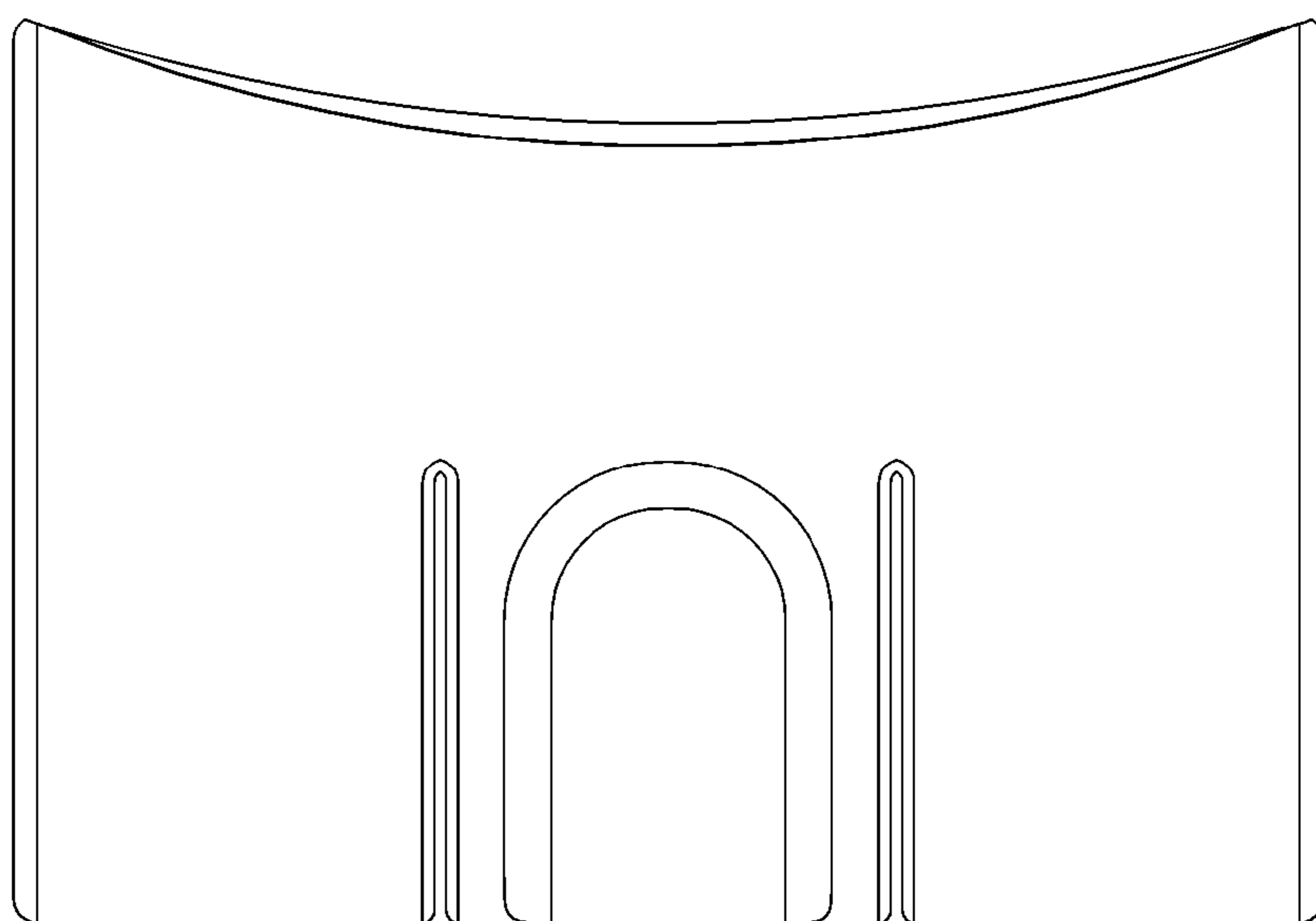


Fig. 8