



US00D688896S

(12) **United States Design Patent**
Kassouni

(10) **Patent No.:** **US D688,896 S**

(45) **Date of Patent:** **** Sep. 3, 2013**

(54) **SPIRAL PLANTER**

(76) Inventor: **Van M. Kassouni**, Grand Rapids, MI
(US)

(**) Term: **14 Years**

(21) Appl. No.: **29/424,528**

(22) Filed: **Jun. 13, 2012**

(51) **LOC (9) Cl.** **11-02**

(52) **U.S. Cl.**
USPC **D6/556; D6/405; D11/143**

(58) **Field of Classification Search**
USPC D6/403-405, 556-558; D8/1;
D11/143-156, 164; D19/77, 80, 81, 84;
D25/100; D26/9-11, 16, 19; D34/1, 2, 4-6;
D99/5, 19; 47/17, 32.4, 32.5, 33, 39, 41.01,
47/41.1, 41.11-41.15, 44-47, 65, 65.5, 65.9,
47/66.1, 66.6, 66.7, 67-71

See application file for complete search history.

(56) **References Cited**

U.S. PATENT DOCUMENTS

3,384,260	A *	5/1968	Buffington	D11/152
4,658,541	A *	4/1987	Haile	D11/143
D324,122	S *	2/1992	Brussing	D34/1
D355,791	S *	2/1995	Briley	D6/553
D407,994	S *	4/1999	Adinolfi et al.	D11/143
D638,743	S *	5/2011	Bouchard et al.	D11/143
D658,537	S *	5/2012	Simmons	D11/143
D658,916	S *	5/2012	Roverso et al.	D6/556
2013/0047506	A1 *	2/2013	Sheaffer et al.	47/67

* cited by examiner

Primary Examiner — Garth Rademaker

(74) *Attorney, Agent, or Firm* — Gardner, Linn, Burkhart & Flory, LLP

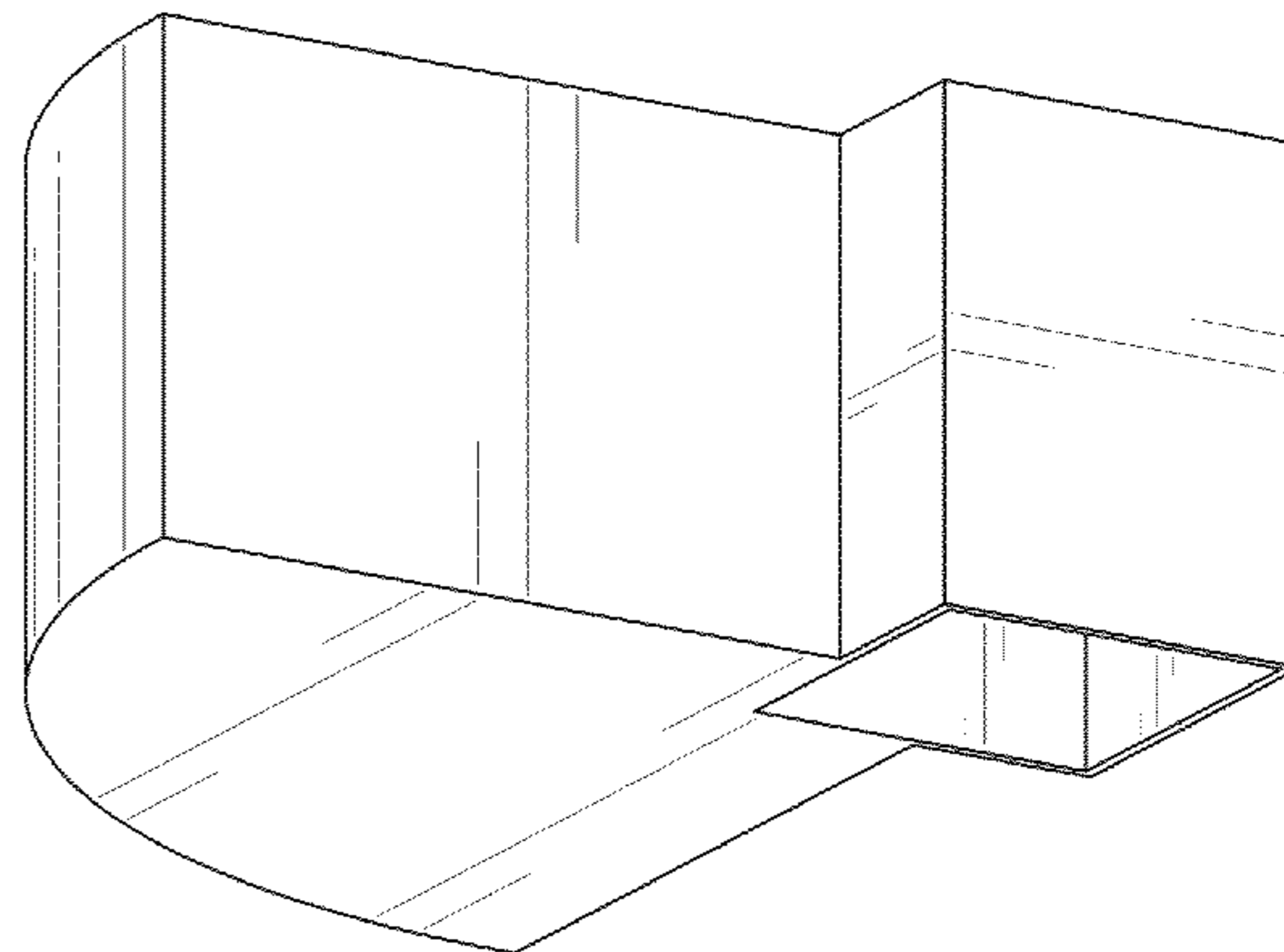
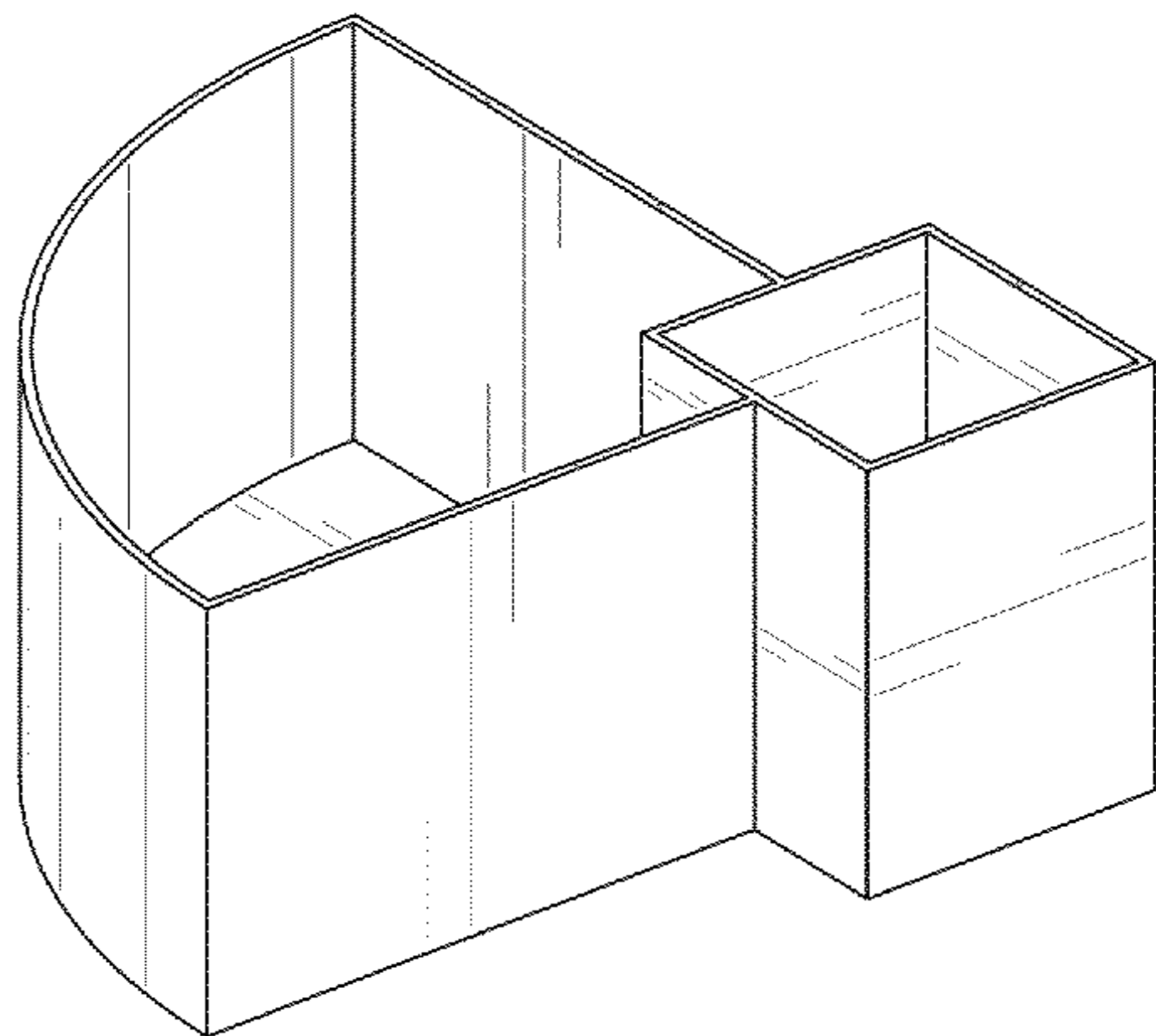
(57) **CLAIM**

The ornamental design for a spiral planter, as shown and described.

DESCRIPTION

FIG. 1 is a perspective view of a spiral planter in accordance with the present invention, shown in an environment of use; FIG. 2 is top perspective view thereof; FIG. 3 is a perspective view thereof, shown in an alternate environment of use; FIG. 4 is a top perspective view thereof; FIG. 5 is a top perspective view thereof, shown with the environment removed; FIG. 6 is a bottom perspective view thereof; FIG. 7 is a side elevation view thereof; FIG. 8 is an opposite side elevation view thereof; FIG. 9 is an end view thereof; FIG. 10 is an opposite end view thereof; FIG. 11 is a top plan view thereof; and, FIG. 12 is a bottom plan view thereof. The broken lines in FIGS. 1-4 depict environmental subject matter only and form no part of the claimed design.

1 Claim, 8 Drawing Sheets



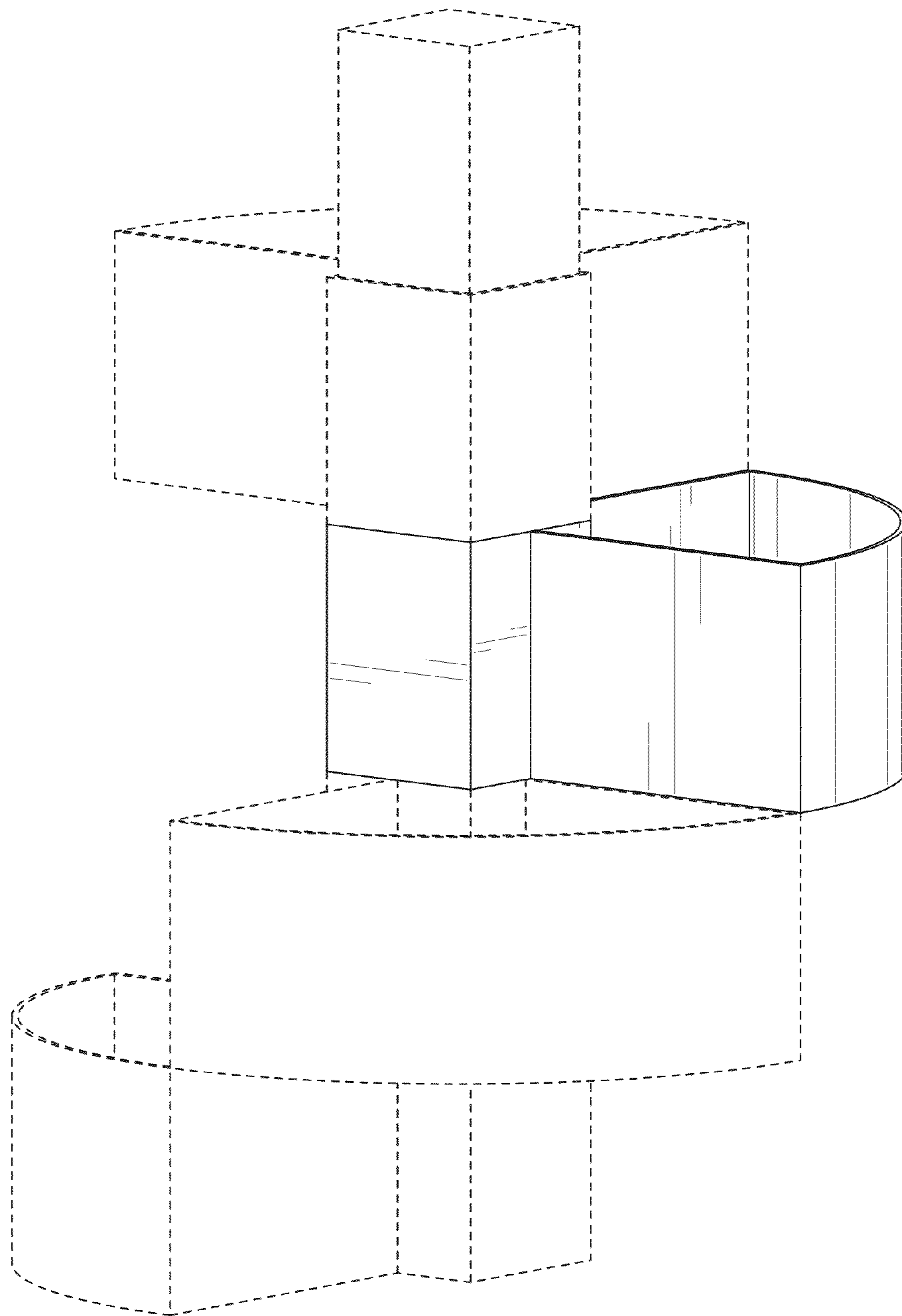


FIG. 1

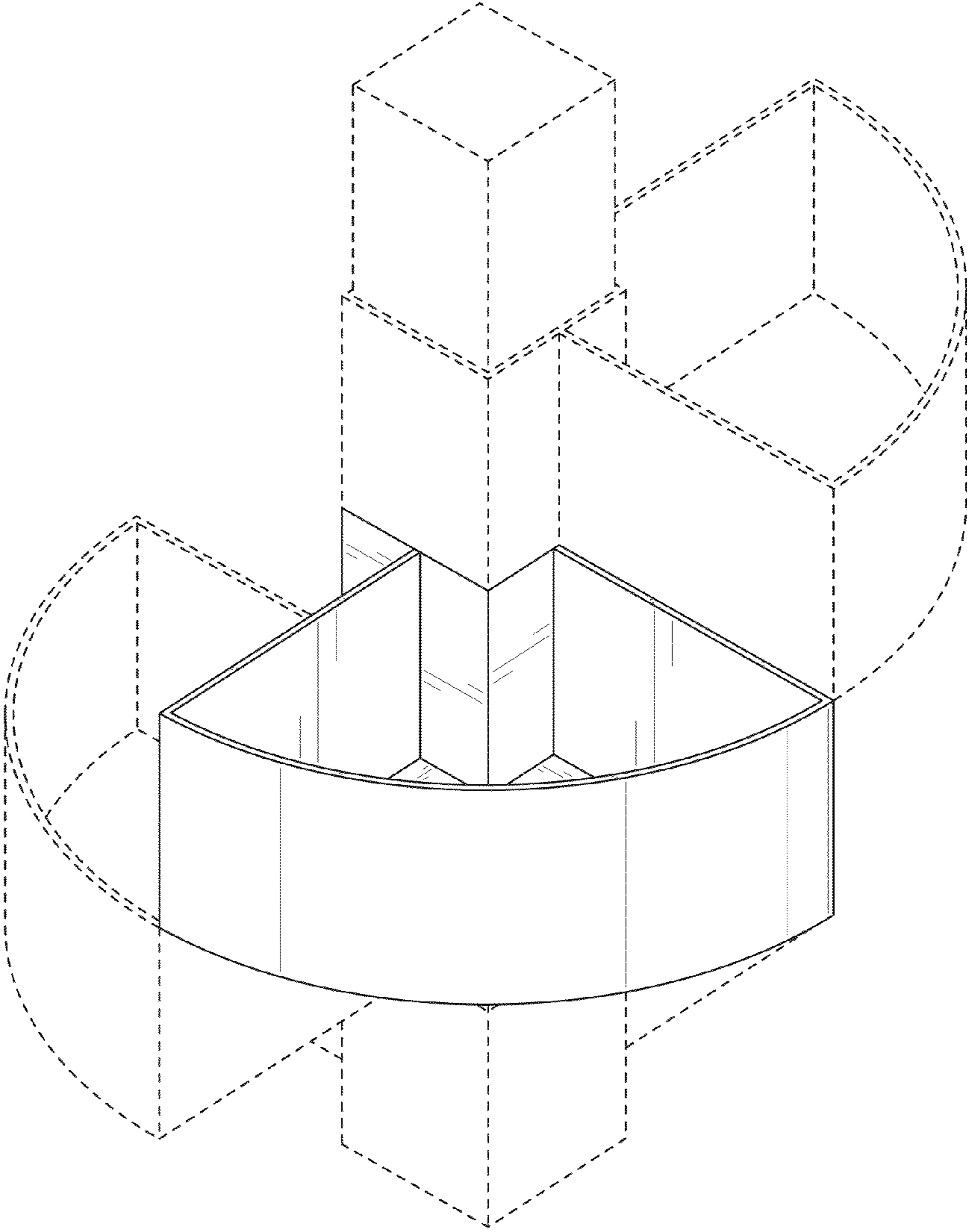


FIG. 2

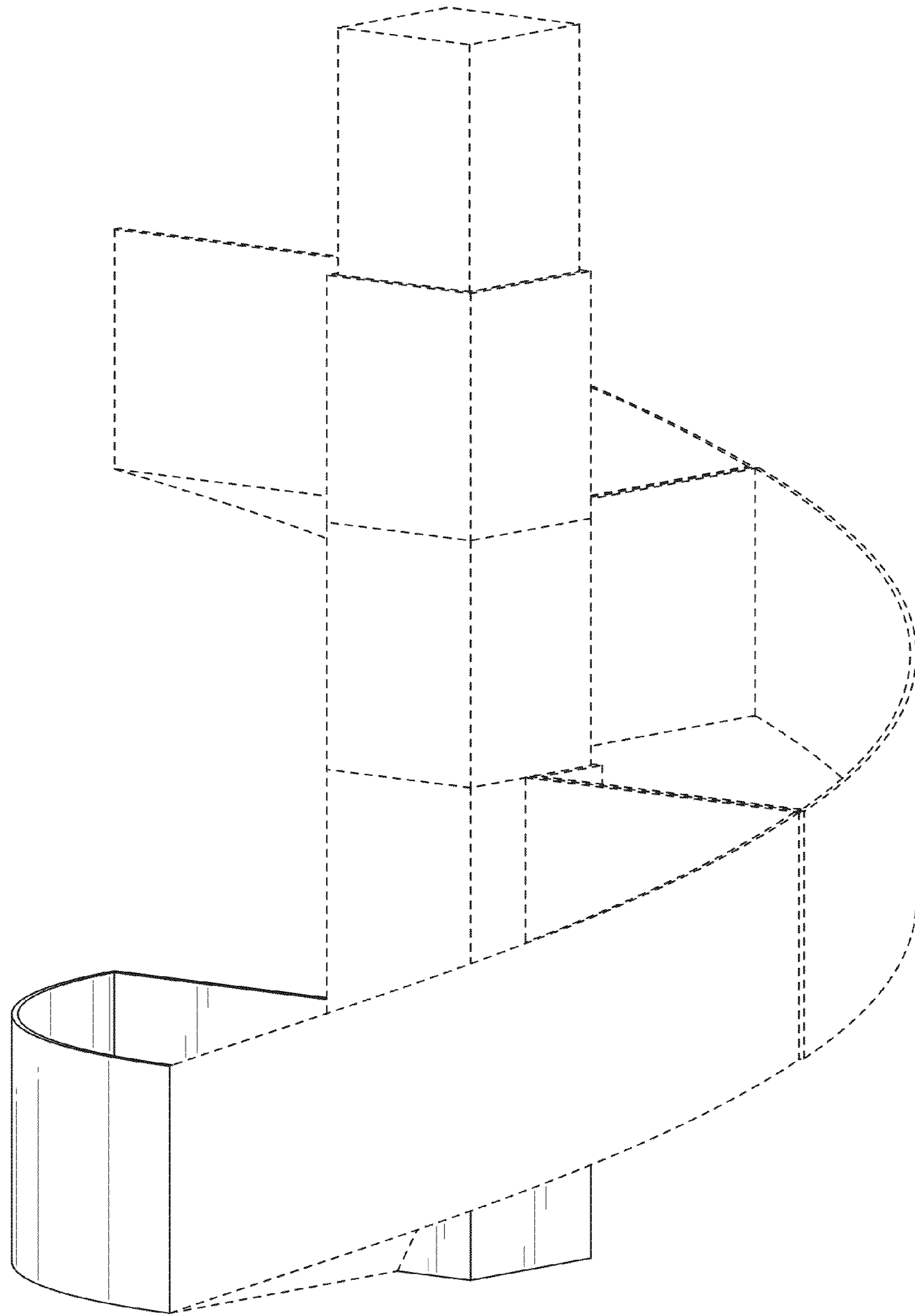


FIG. 3

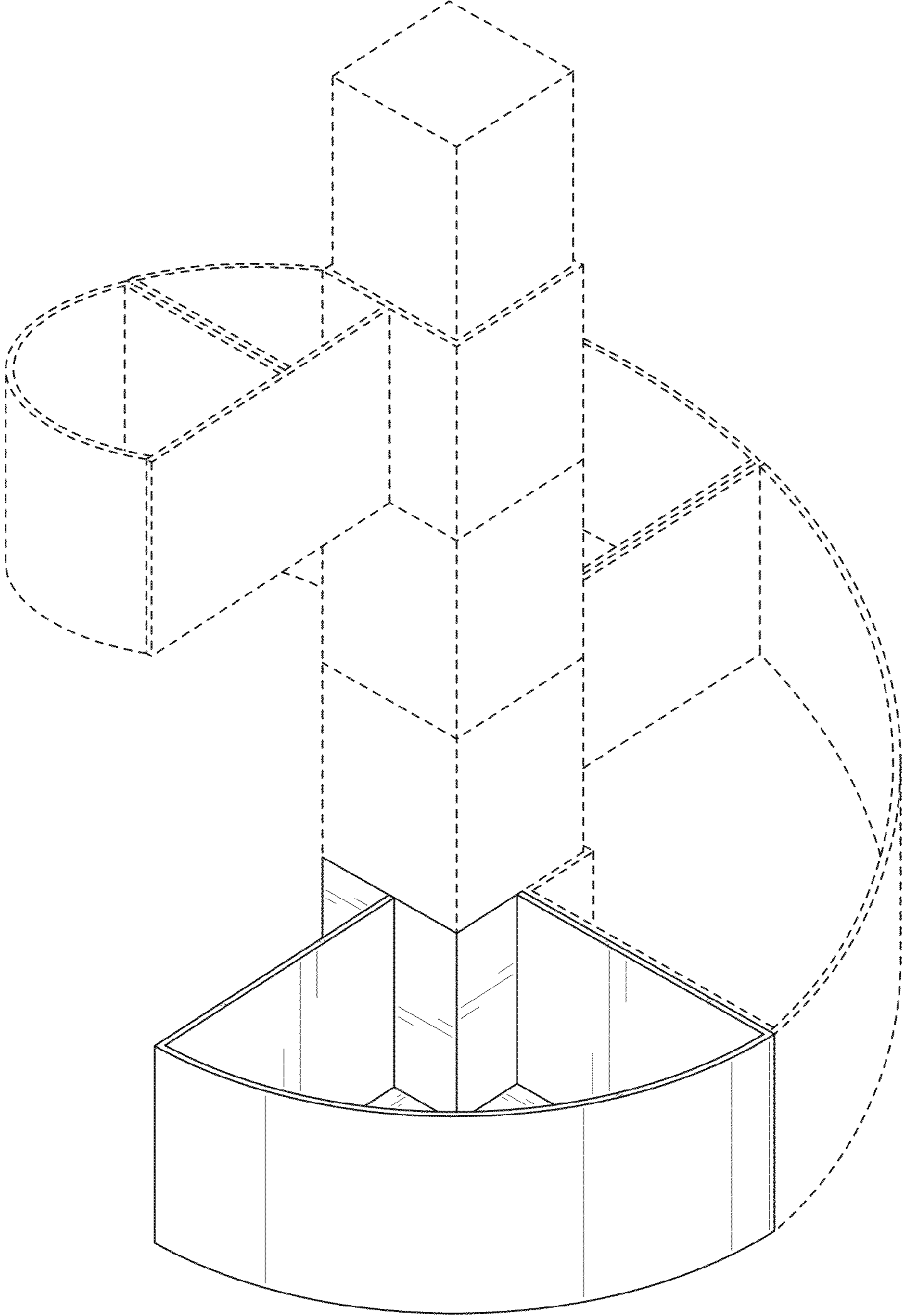


FIG. 4

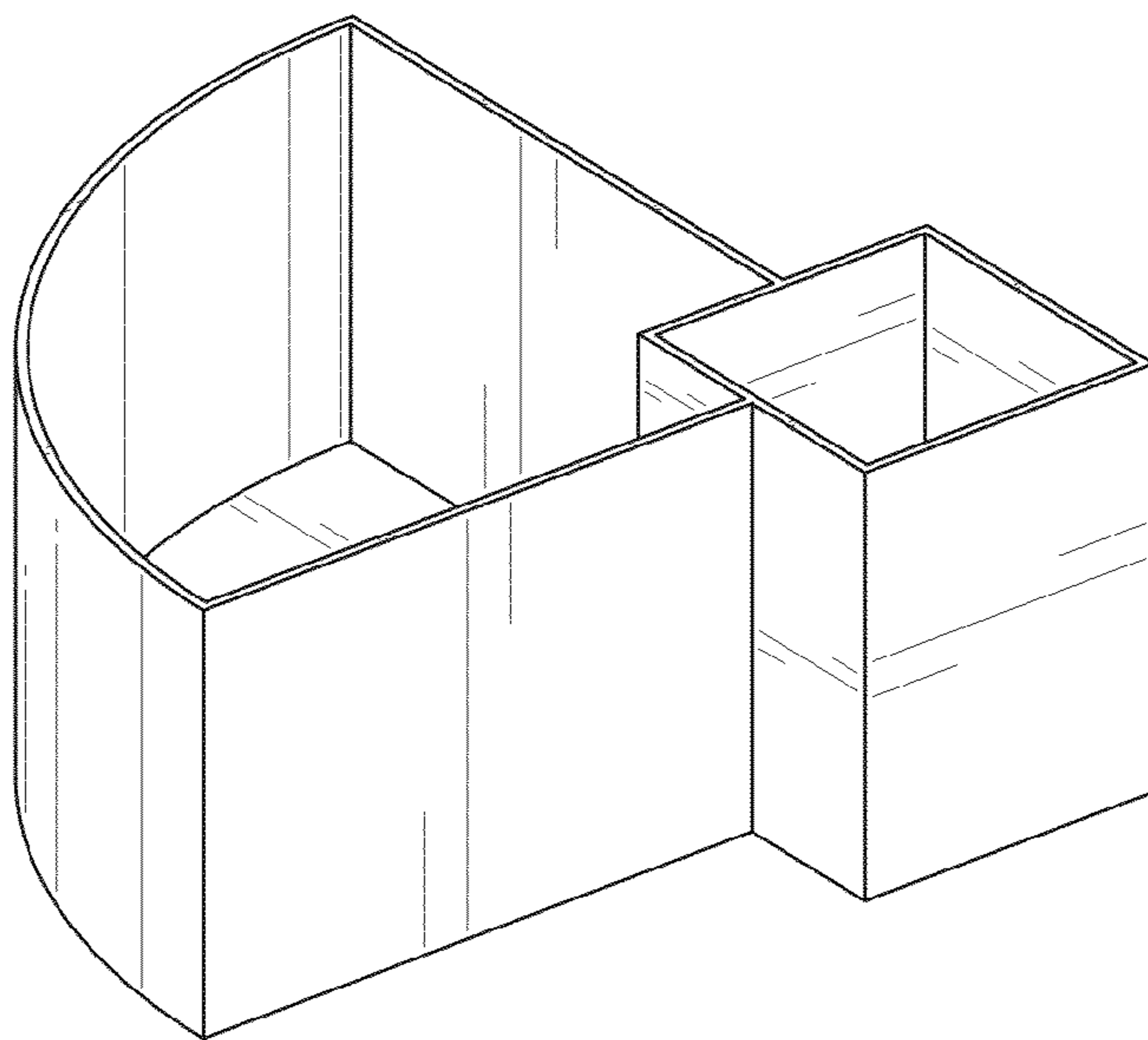


FIG. 5

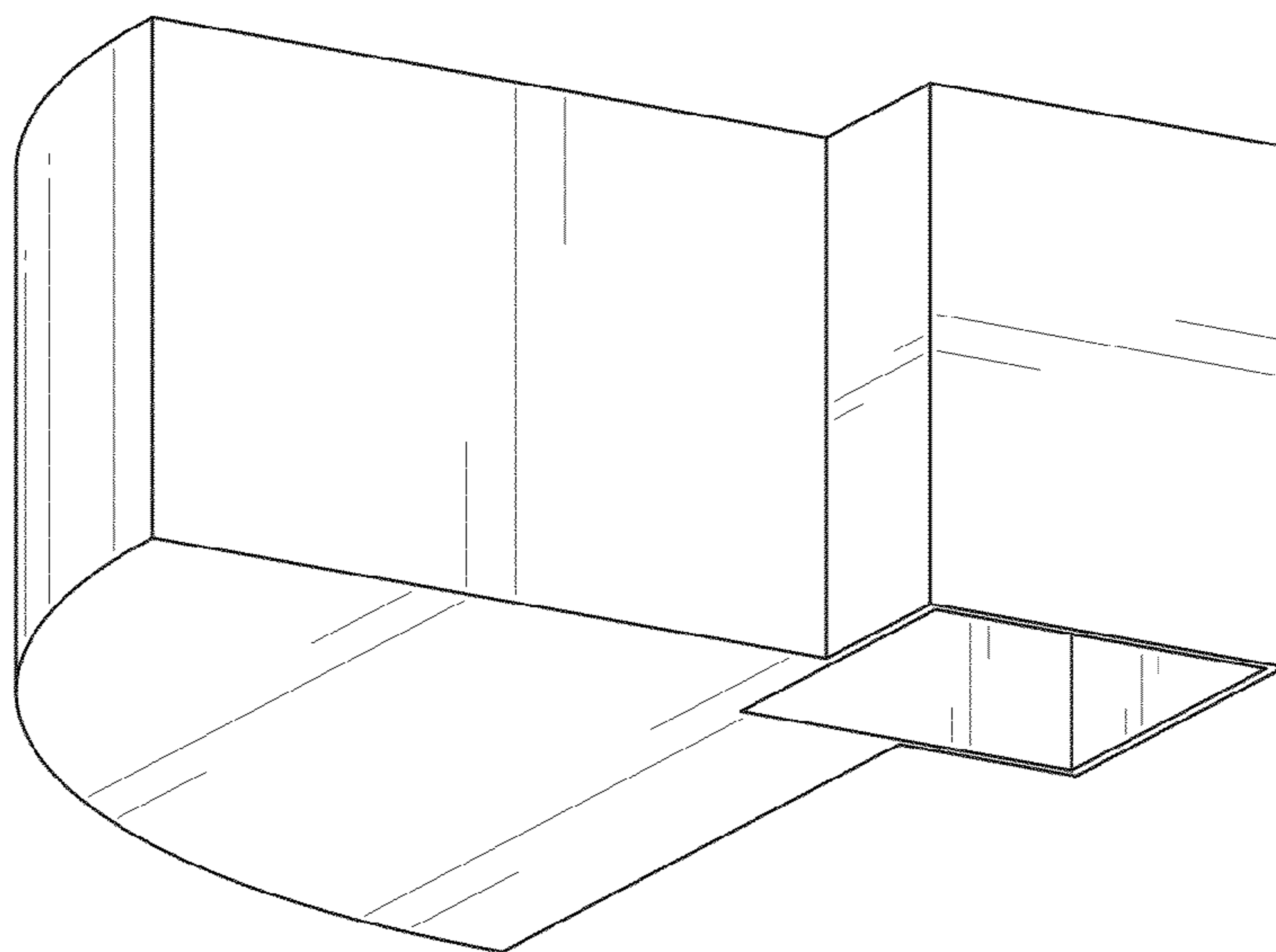


FIG. 6

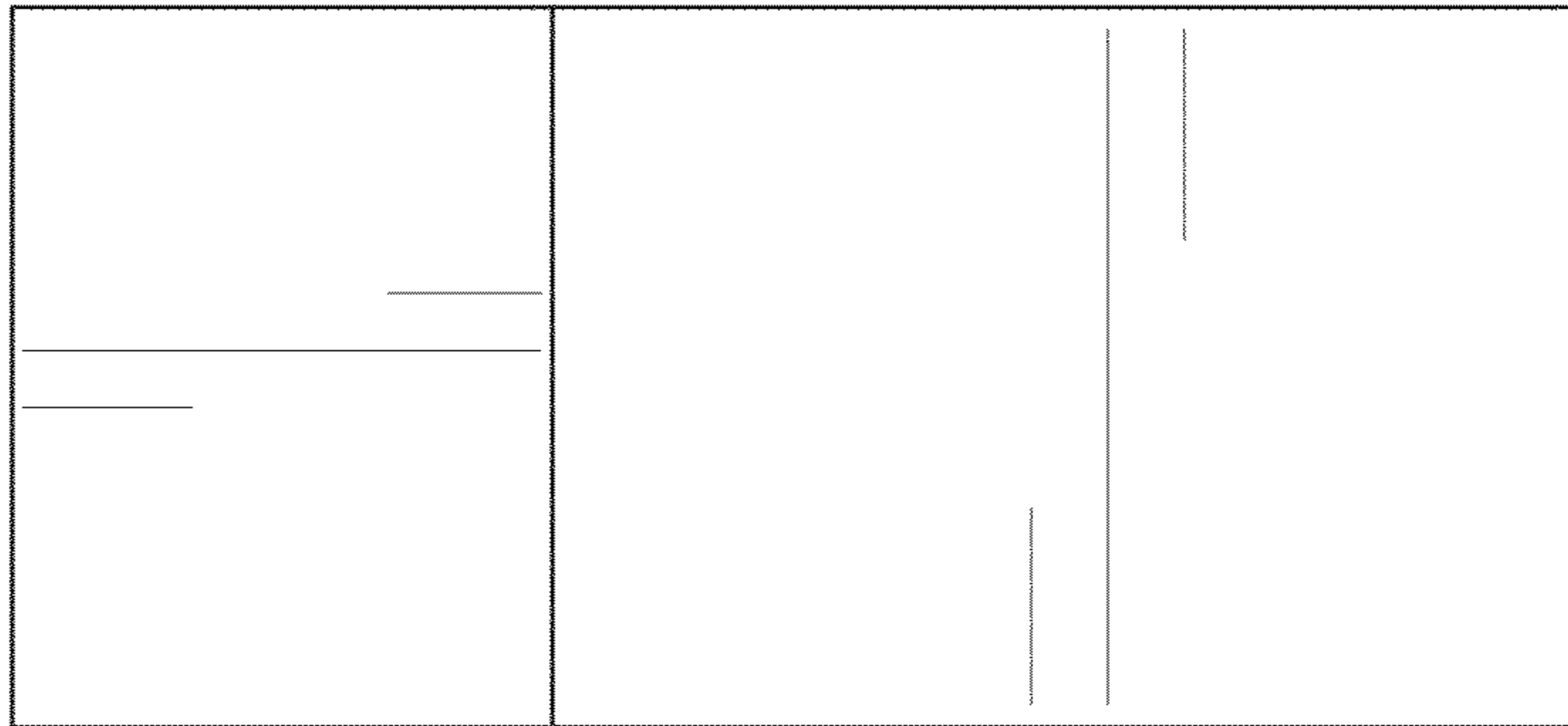


FIG. 7

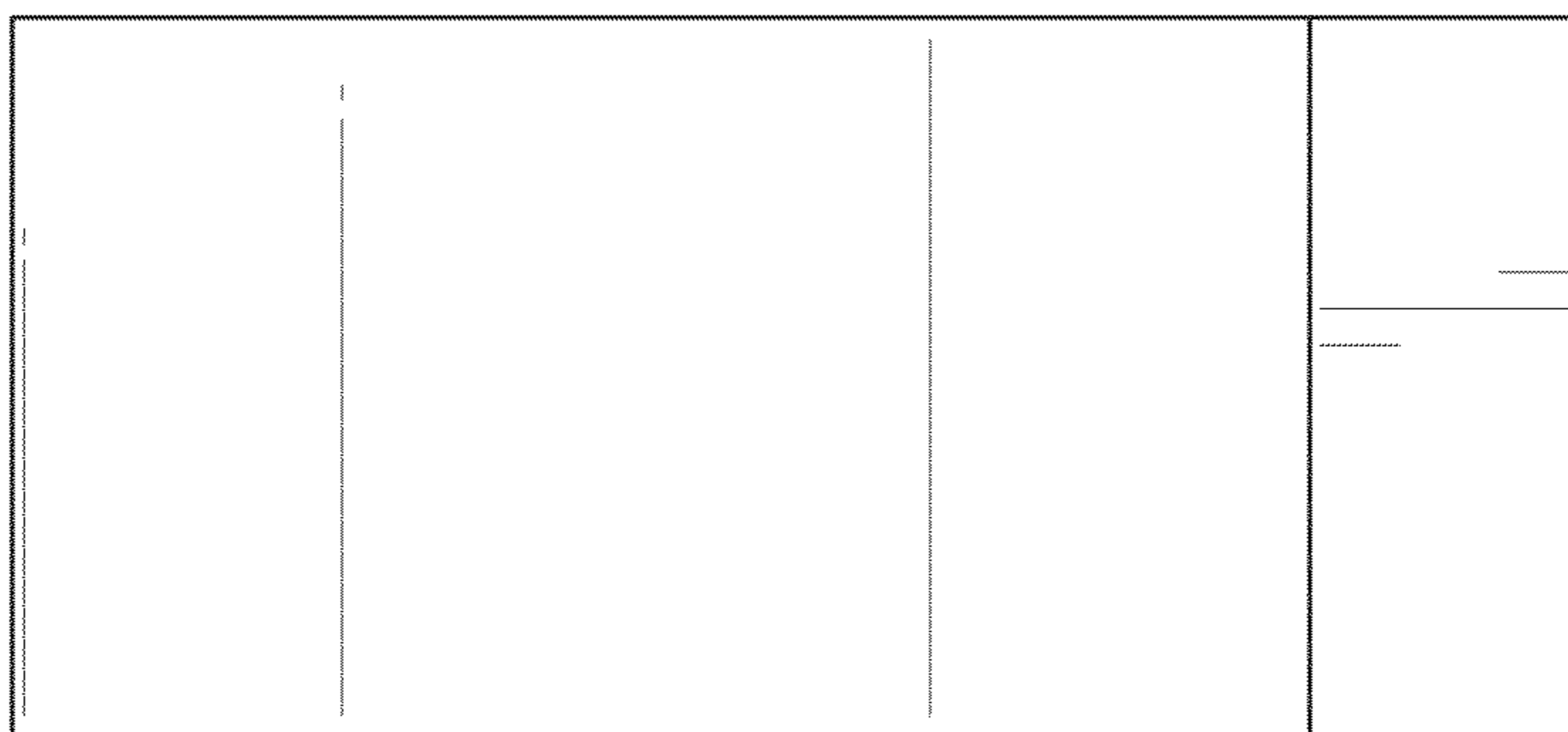


FIG. 8

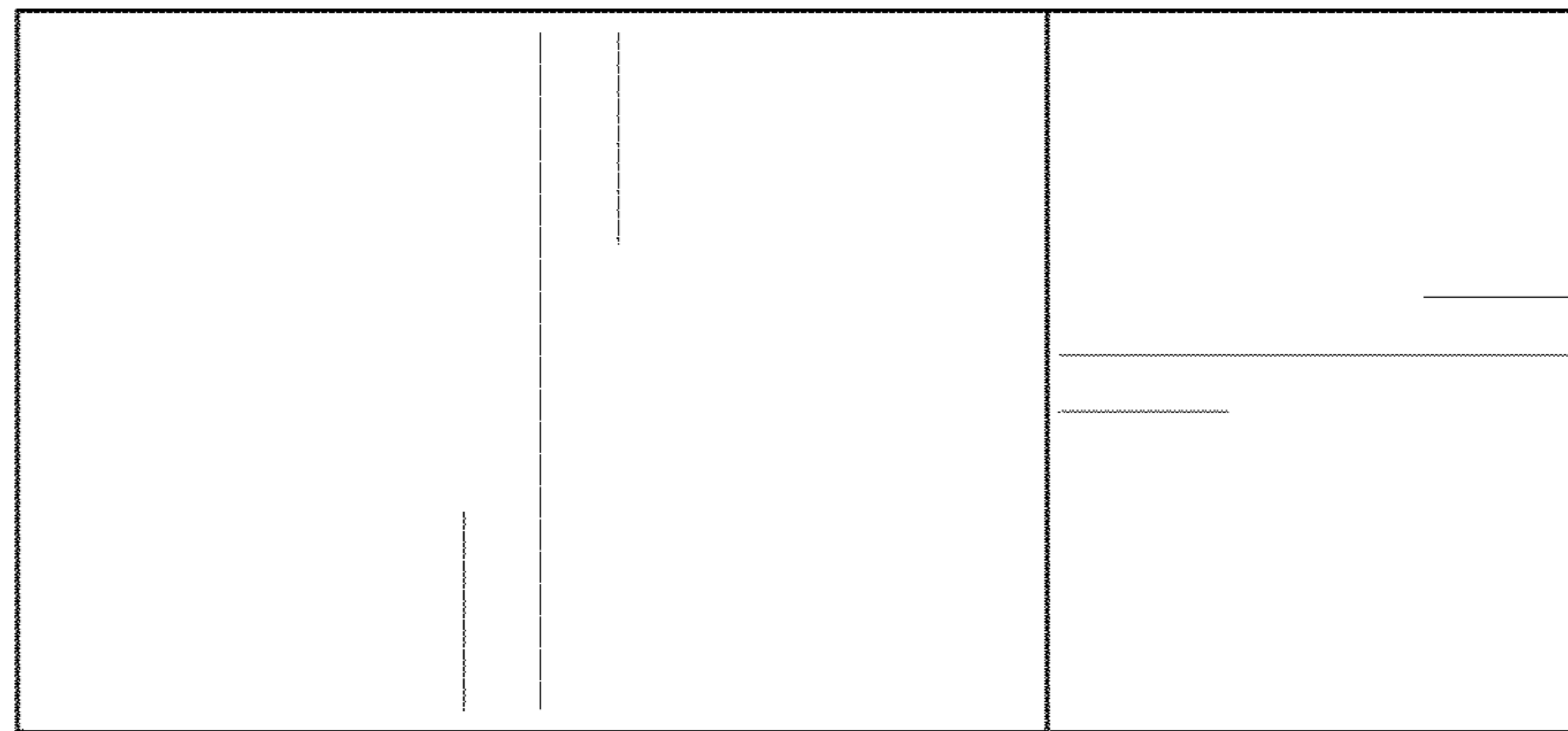


FIG. 9

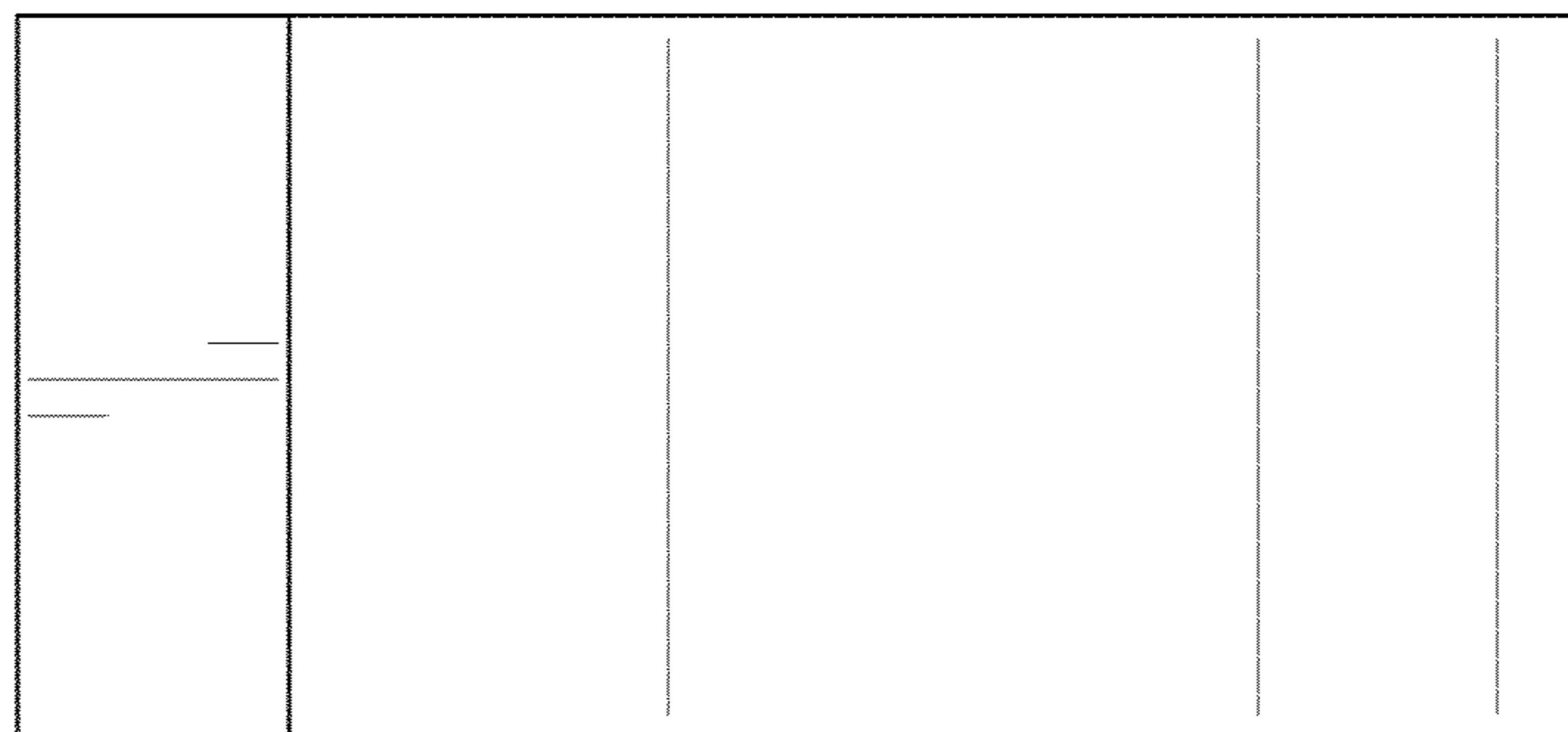


FIG. 10

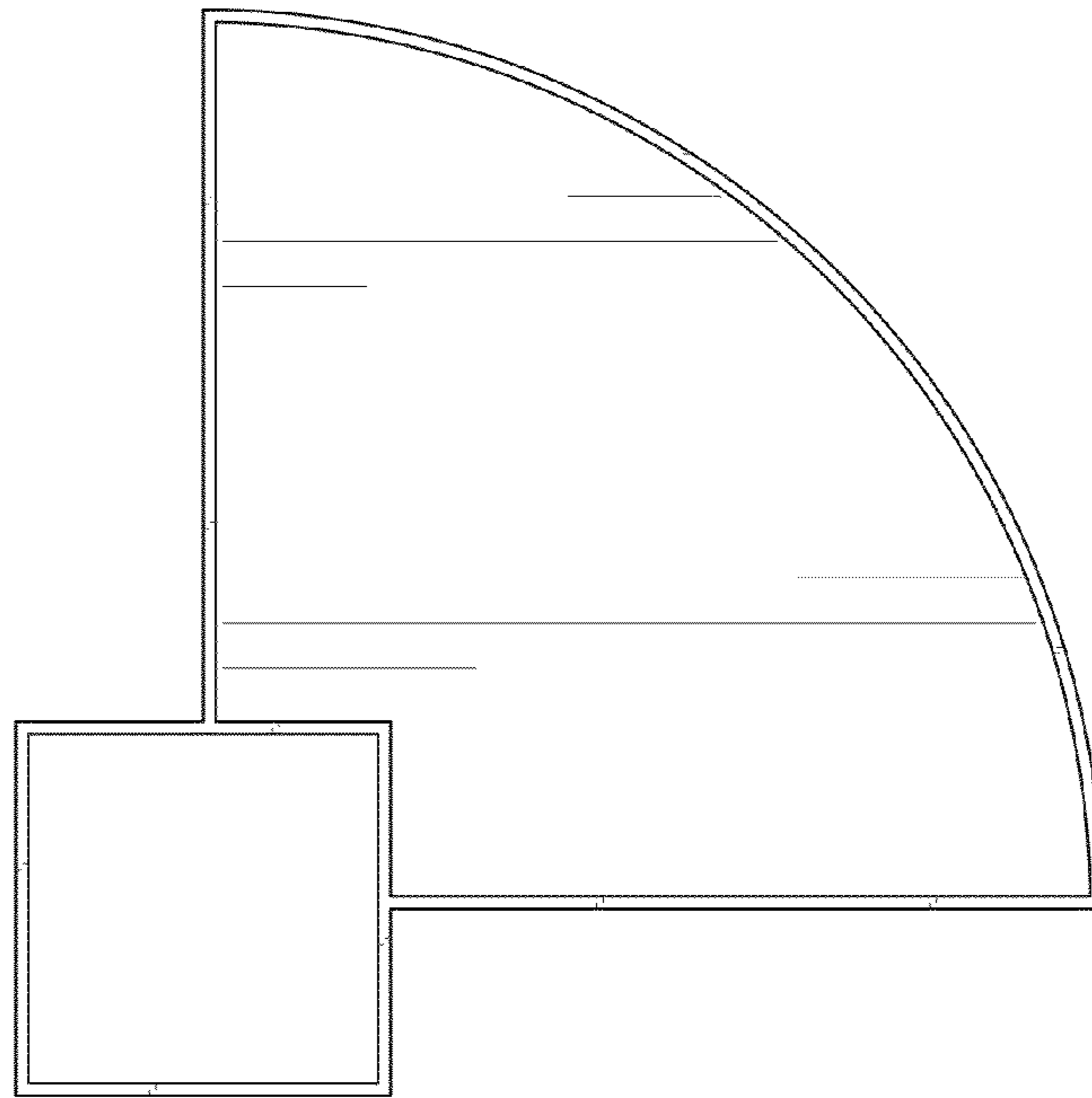


FIG. 11

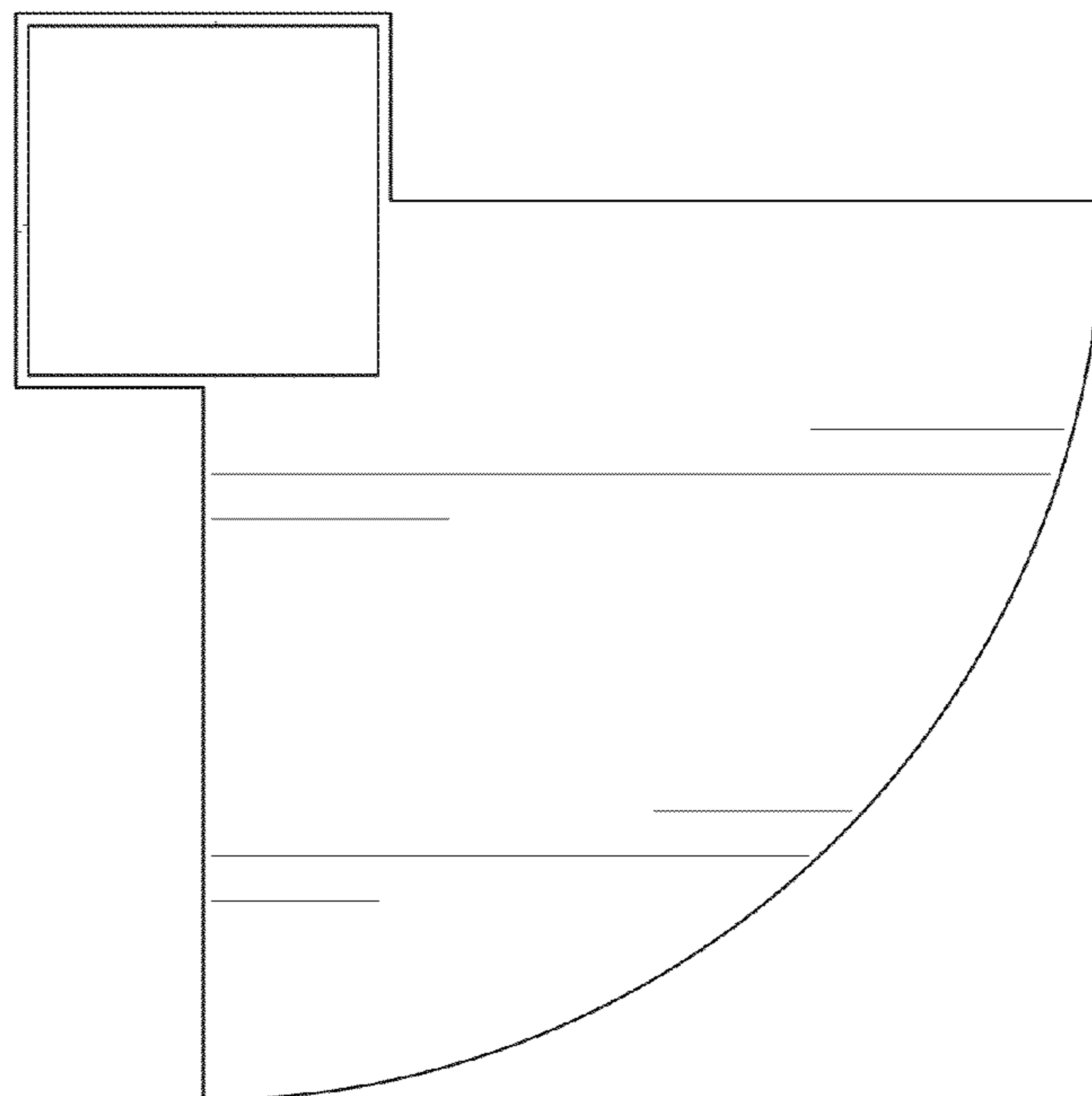


FIG. 12