



US00D688895S

(12) **United States Design Patent**  
**Sun Ting Kung et al.**

(10) **Patent No.:** **US D688,895 S**

(45) **Date of Patent:** **\*\* Sep. 3, 2013**

(54) **TOWEL CABINET**

(71) Applicant: **Rentokil Initial 1927 plc**, West Sussex (GB)

(72) Inventors: **Jeremy Sun Ting Kung**, Singapore (SG); **Michael Toh Chong Nam**, Singapore (SG); **Ryan Toh Kian Seng**, Singapore (SG); **Daze Lee**, Singapore (SG); **Danny Chu Wen Hing**, Singapore (SG); **Sit Wai Yong**, Singapore (SG); **Yazid Bin Ahmad**, Singapore (SG); **Chin Leong Kwek**, Singapore (SG); **Tsin Tsung Ooi**, Singapore (SG)

(73) Assignee: **Rentokil Initial 1927 plc**, West Sussex (GB)

(\*\*) Term: **14 Years**

(21) Appl. No.: **29/437,038**

(22) Filed: **Nov. 12, 2012**

(51) **LOC (9) Cl.** ..... **23-02**

(52) **U.S. Cl.**  
USPC ..... **D6/522**

(58) **Field of Classification Search**  
USPC ..... D6/515-523; 206/225, 233, 389, 206/391; 211/13.1, 45; 242/570, 590; 248/309.1, 309.2, 905; 221/26, 33, 282-283; 222/173, 180

See application file for complete search history.

(56) **References Cited**

U.S. PATENT DOCUMENTS

D347,135 S *	5/1994	Morand	.....	D6/522
D356,707 S *	3/1995	Morand	.....	D6/522
D398,797 S *	9/1998	Brandenburg et al.	.....	D6/522
D447,897 S *	9/2001	Fisscher	.....	D6/518
D449,475 S *	10/2001	Ehrensperger	.....	D6/522

\* cited by examiner

*Primary Examiner* — Brian N Vinson

(74) *Attorney, Agent, or Firm* — Merchant & Gould P.C.

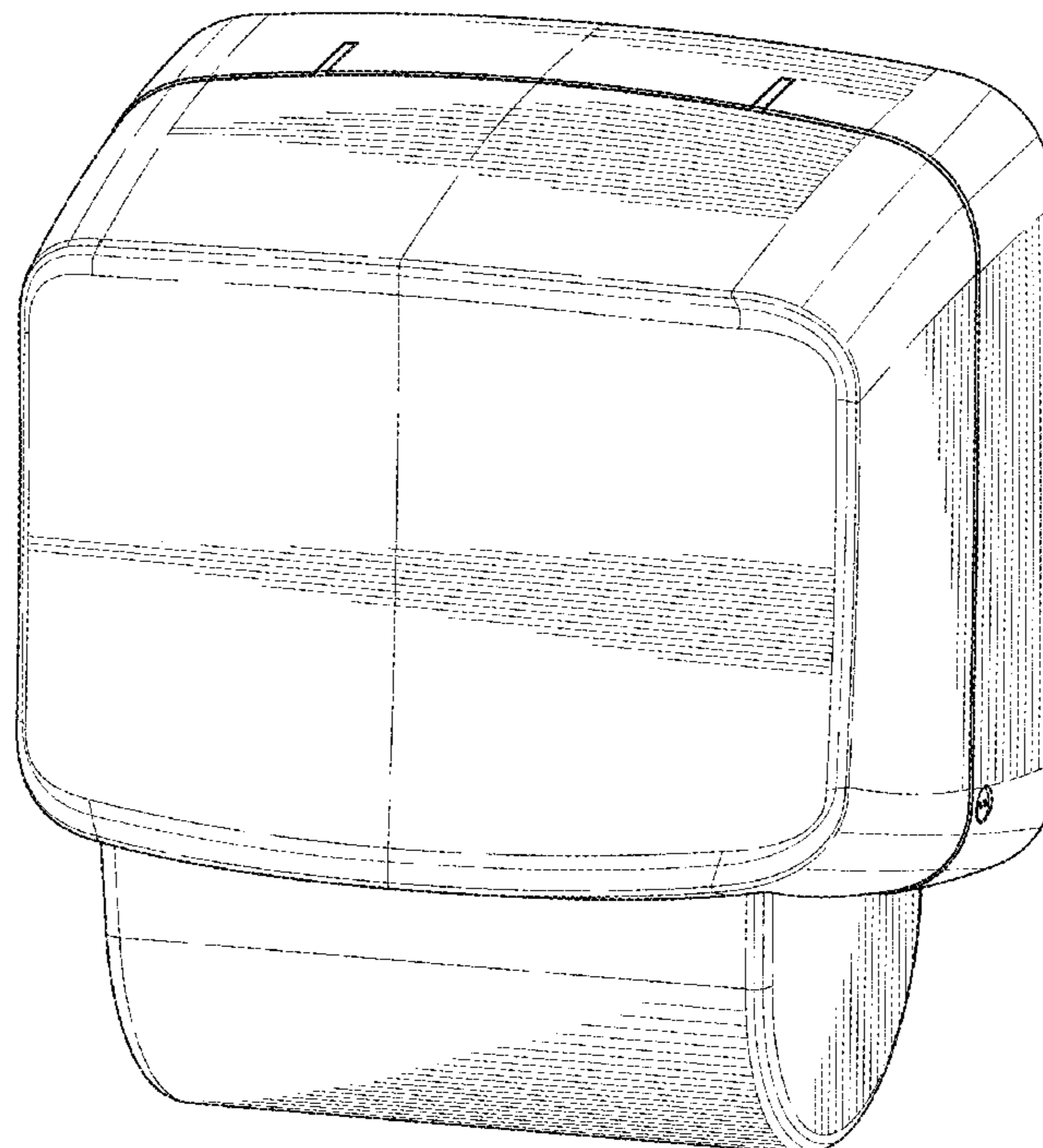
(57) **CLAIM**

The ornamental design for a towel cabinet, as shown and described.

**DESCRIPTION**

FIG. 1 is a top, front and right side perspective view of a towel cabinet showing our new design;  
FIG. 2 is a top plan view;  
FIG. 3 is a left side elevational view;  
FIG. 4 is a front elevational view;  
FIG. 5 is a right side elevational view;  
FIG. 6 is a rear elevational view, the broken line disclosure being understood to represent an unclaimed portion of the article in which the claimed design is embodied; and,  
FIG. 7 is a bottom plan view thereof.

**1 Claim, 7 Drawing Sheets**



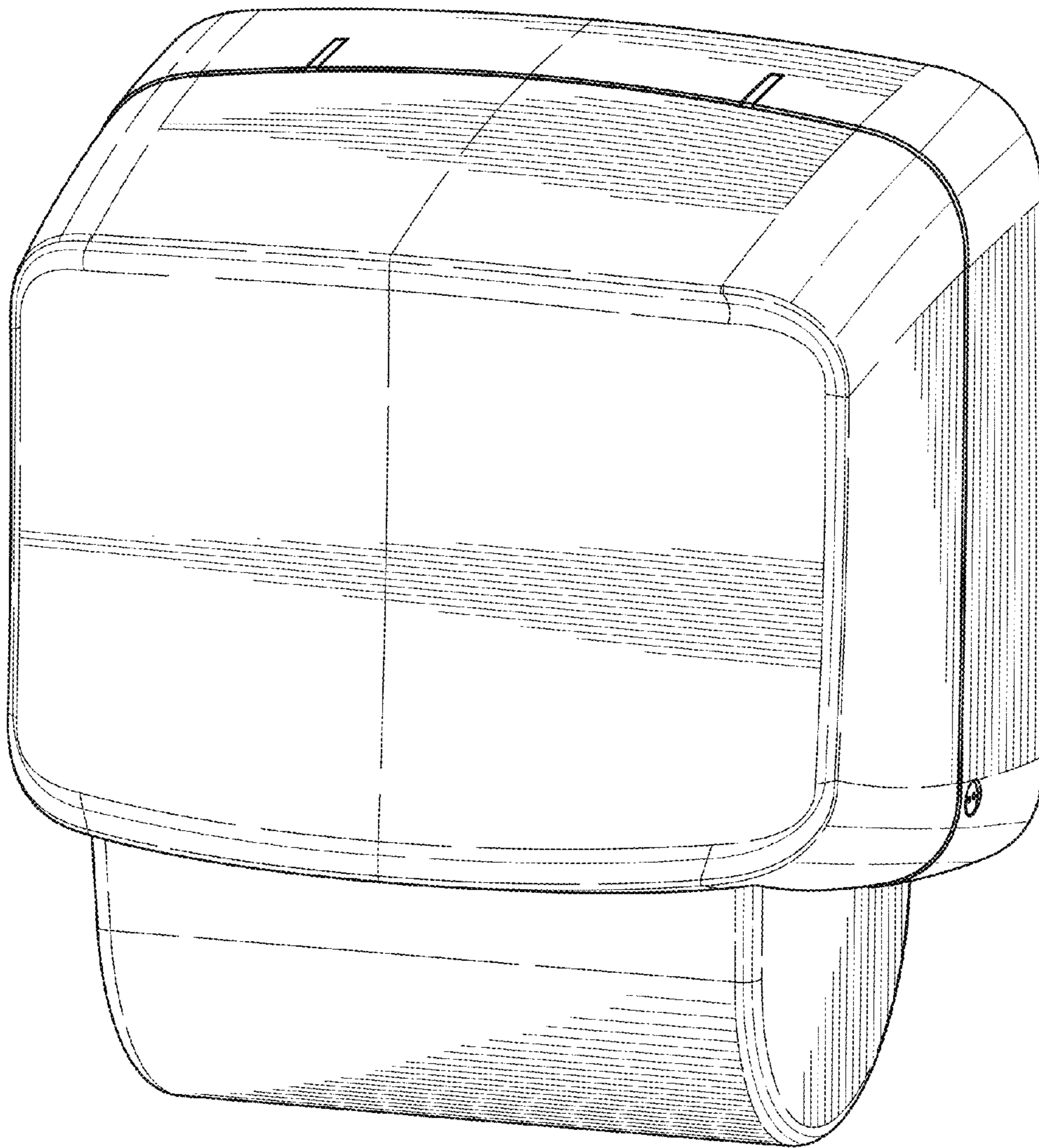


FIG. 1

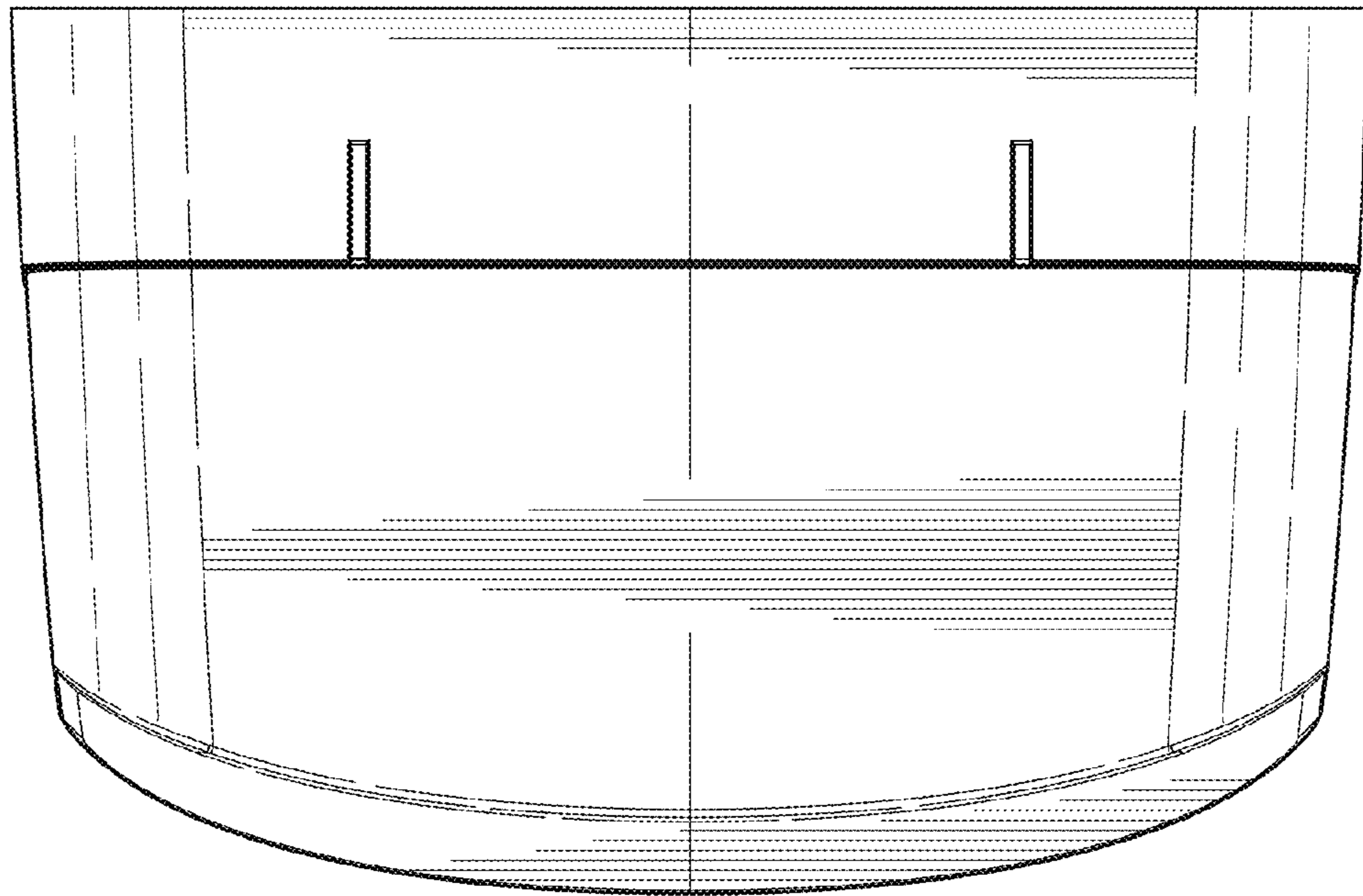


FIG. 2

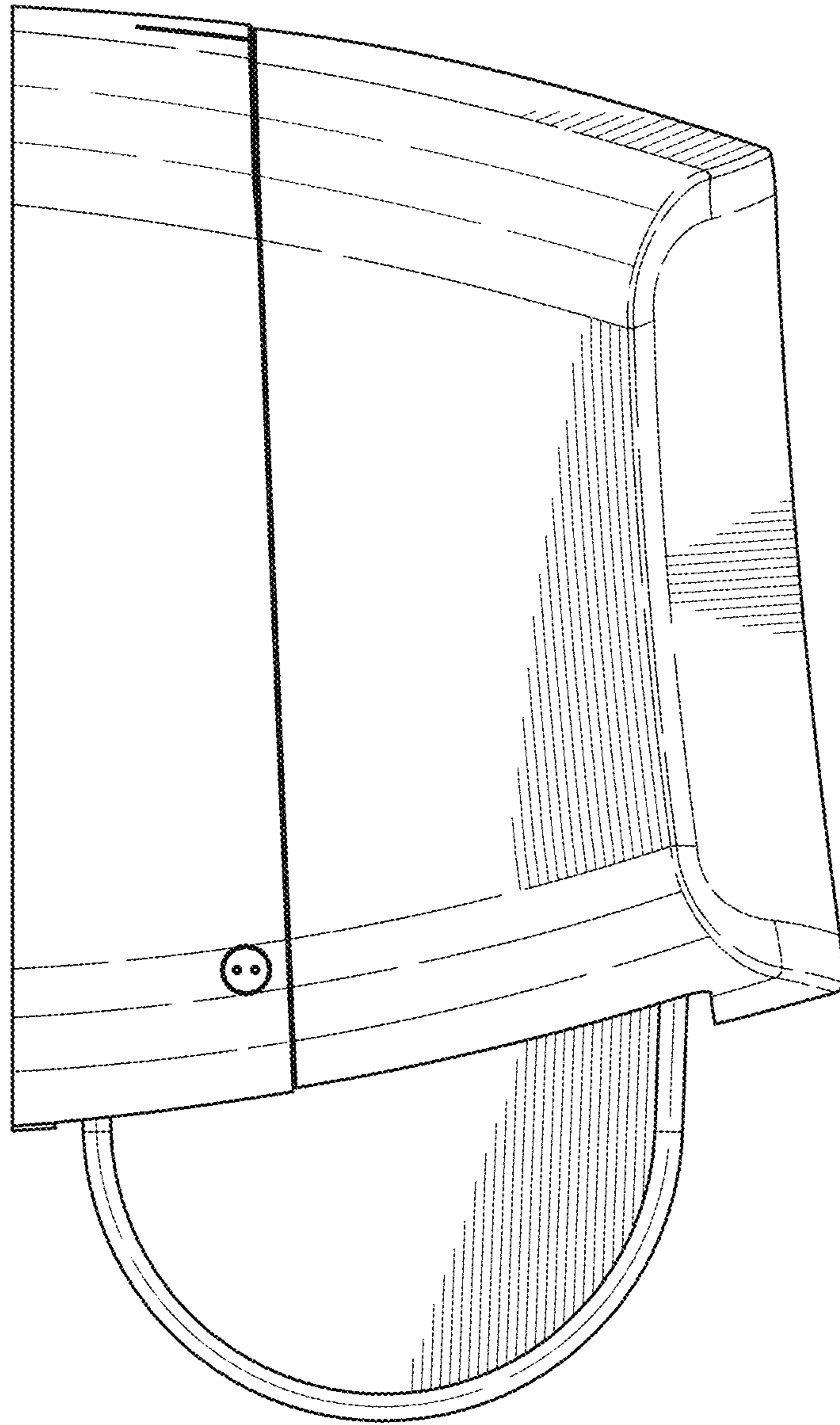


FIG. 3

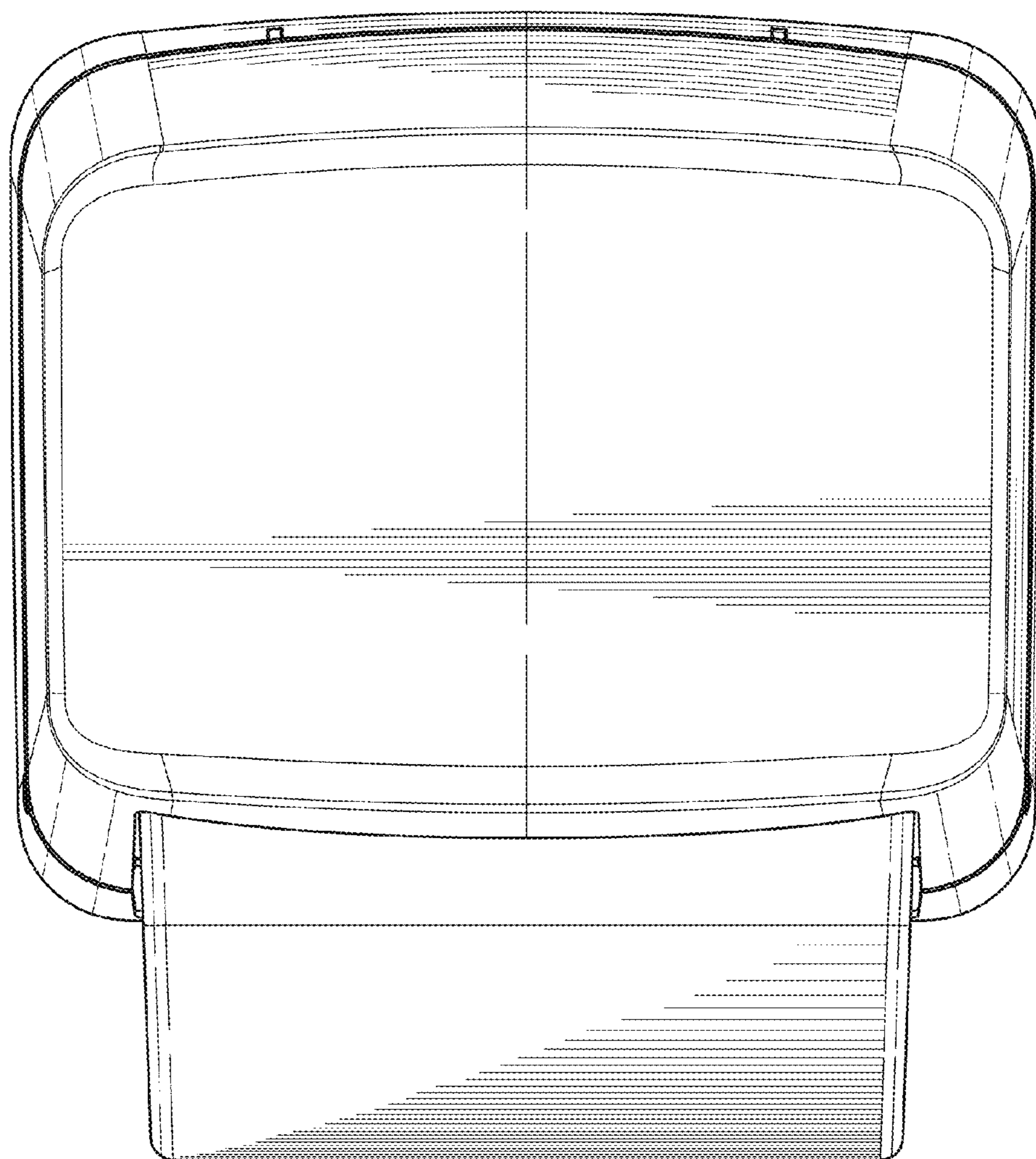


FIG. 4

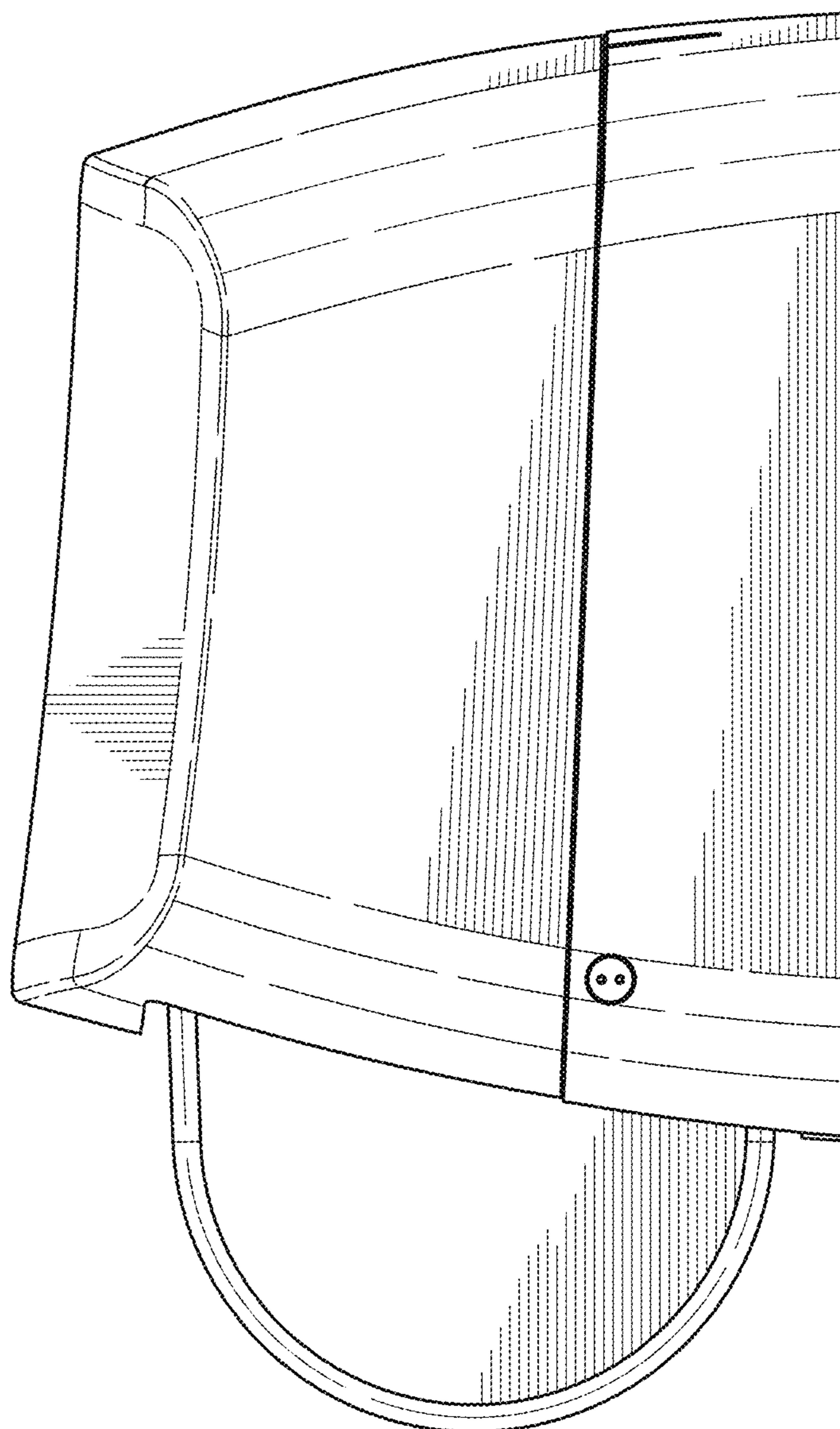


FIG. 5

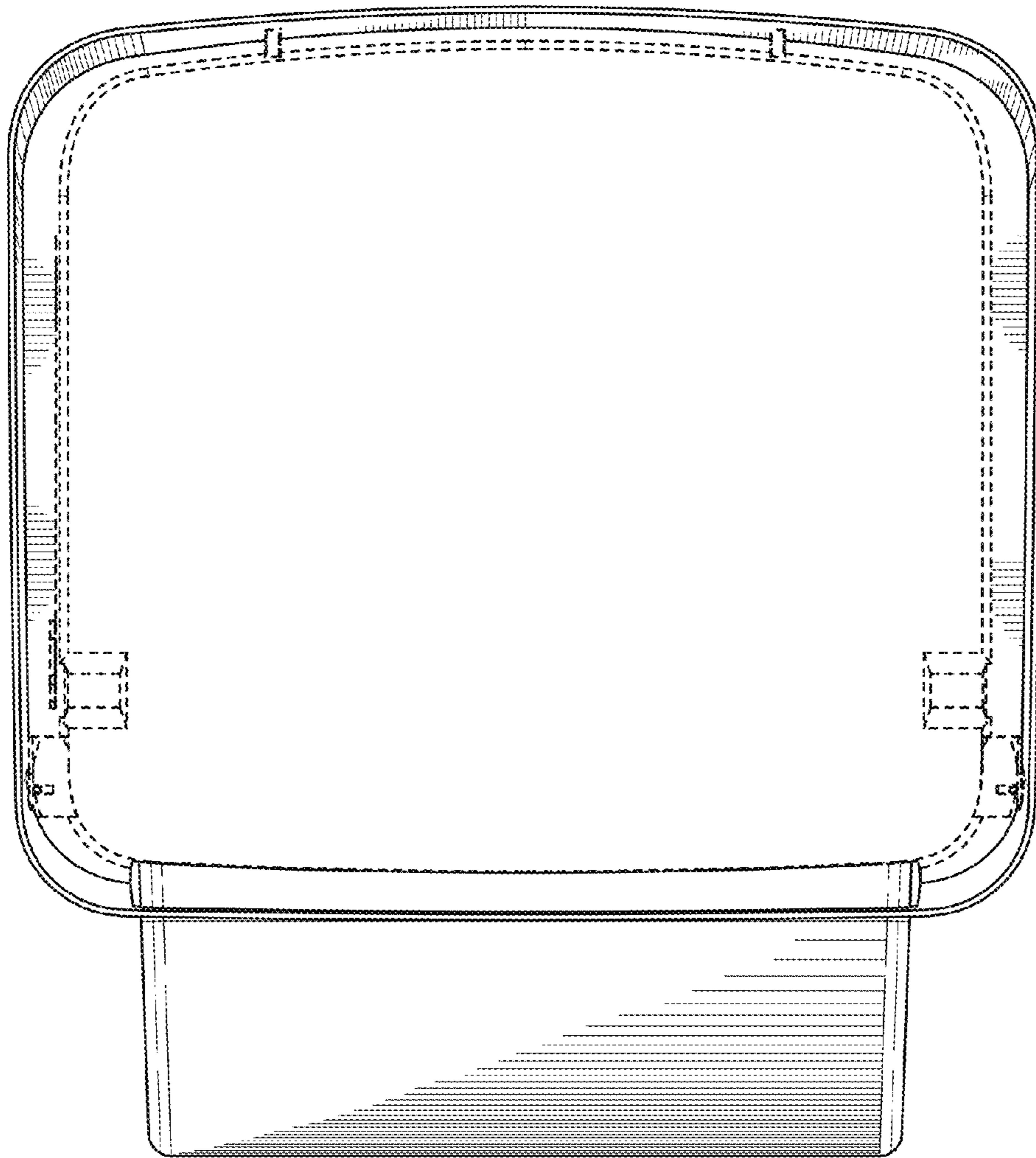


FIG. 6

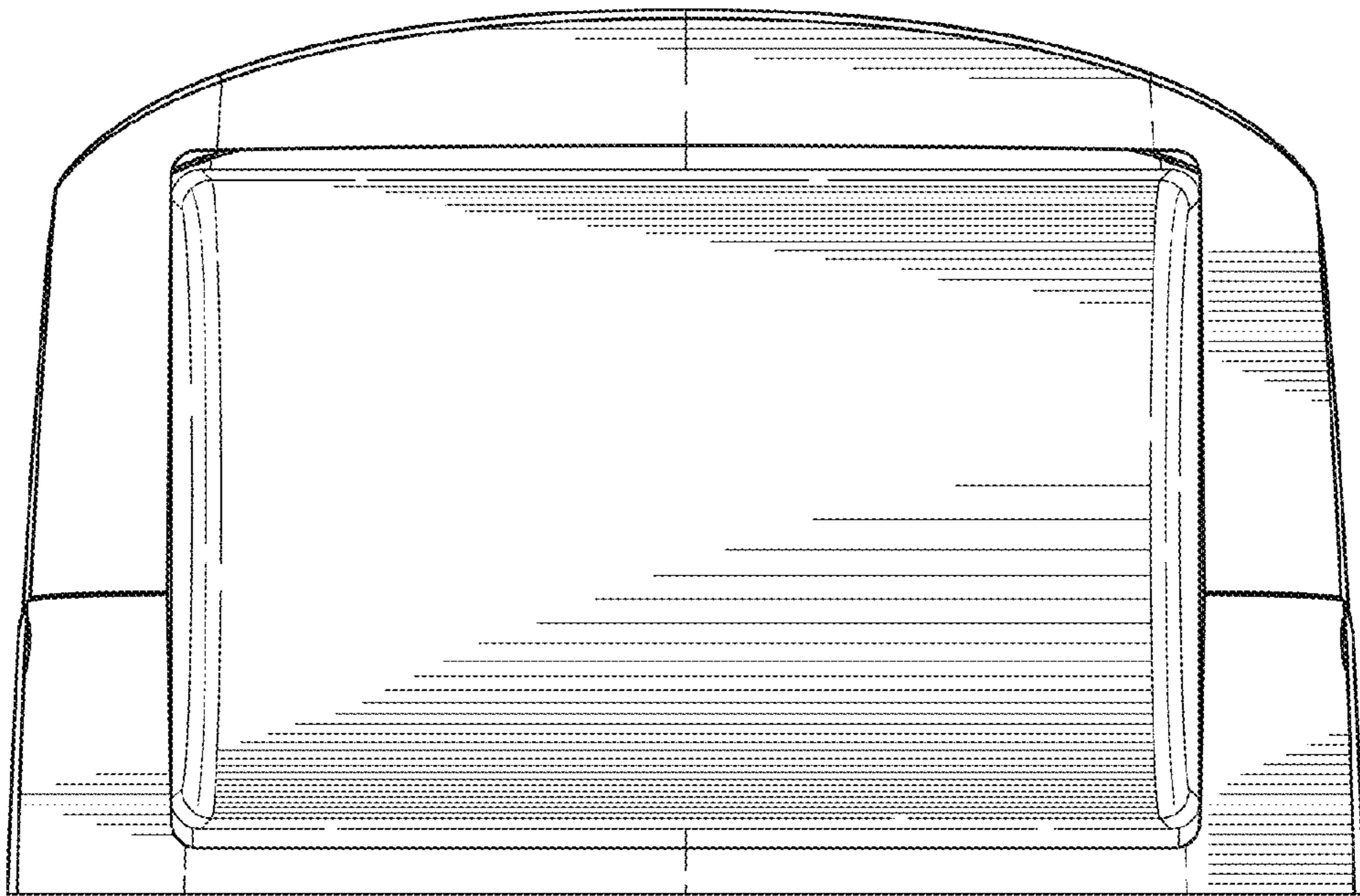


FIG. 7