



US00D688894S

(12) **United States Design Patent**
Starck

(10) **Patent No.:** **US D688,894 S**
(45) **Date of Patent:** **** Sep. 3, 2013**

(54) **CHAIR**

(71) Applicant: **Philippe Starck**, Paris (FR)

(72) Inventor: **Philippe Starck**, Paris (FR)

(**) Term: **14 Years**

(21) Appl. No.: **29/441,948**

(22) Filed: **Jan. 11, 2013**

(30) **Foreign Application Priority Data**

Jul. 11, 2012 (WO) 680195001

(51) **LOC (9) Cl.** **06-01**

(52) **U.S. Cl.**
USPC **D6/502**

(58) **Field of Classification Search**

USPC D6/334-336, 344-353, 360-381,
D6/388, 403, 491-502, 692, 708, 716, 716.2-716.4;
297/16.1, 22, 31, 35, 217.1, 228.12, 239,
297/256.16, 271.6, 284.4-284.5, 291, 297,
297/302.4, 411.2, 411.27-411.29, 411.43,
297/423.1, 423.12, 440.11, 440.15, 440.24,
297/448.1, 451.4, 452.13, 452.19, 452.21,
297/452.27, 452.29, 452.3, 452.41, 452.56,
297/452.64

See application file for complete search history.

(56) **References Cited**

U.S. PATENT DOCUMENTS

4,913,496 A * 4/1990 Oke 297/440.15
D438,718 S * 3/2001 Hutton D6/334
D444,010 S * 6/2001 Ambrosio D6/502
D457,744 S * 5/2002 Lewis D6/380
D494,375 S * 8/2004 Starck D6/374

D515,330 S * 2/2006 Lucci et al. D6/380
D515,340 S * 2/2006 Gasser D6/502
D544,229 S * 6/2007 Bartlmae D6/374
D544,236 S * 6/2007 Swy et al. D6/380
D574,624 S * 8/2008 Bartlmae D6/374
D610,379 S * 2/2010 Muller D6/502
D648,566 S * 11/2011 Sienkowski et al. D6/380
D677,480 S * 3/2013 Starck et al. D6/360

* cited by examiner

Primary Examiner — Ricky Pham

(74) *Attorney, Agent, or Firm* — Blue Filament Law PLLC;
Avery N. Goldstein; Marc S. Balban

(57) **CLAIM**

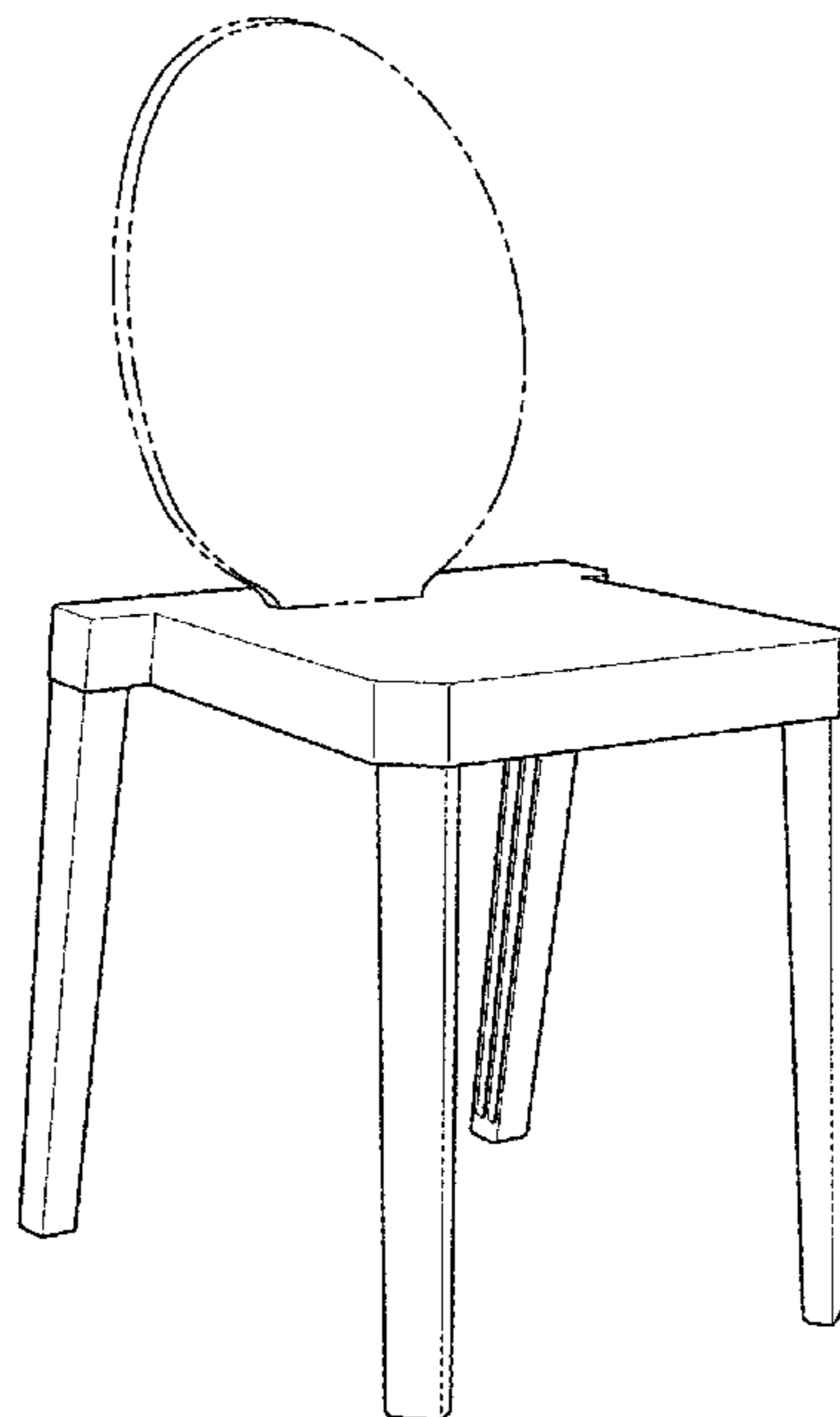
The ornamental design for a chair, as shown and described.

DESCRIPTION

FIG. 1 is an elevated front perspective view of a chair;
FIG. 2 is a front view of the chair depicted in FIG. 1;
FIG. 3 is a side view of the chair depicted in FIG. 1, where an
opposing side view is a mirror image of that depicted in FIG.
3;
FIG. 4 is a back view of the chair depicted in FIG. 1;
FIG. 5 is a top view of the chair depicted in FIG. 1;
FIG. 6 is a bottom view of the chair depicted in FIG. 1;
FIG. 7 is a front view of the chair depicted in FIG. 1;
FIG. 8 is a side view of the chair depicted in FIG. 1, where an
opposing side view is a mirror image of that depicted in FIG.
8;
FIG. 9 is a front view of the chair depicted in FIG. 1; and,
FIG. 10 is a side view of the chair depicted in FIG. 1, where
an opposing side view is a mirror image of that depicted in
FIG. 8.

The broken lines shown in the drawings are for illustrative
purposes only and form no part of the claimed design.

1 Claim, 5 Drawing Sheets



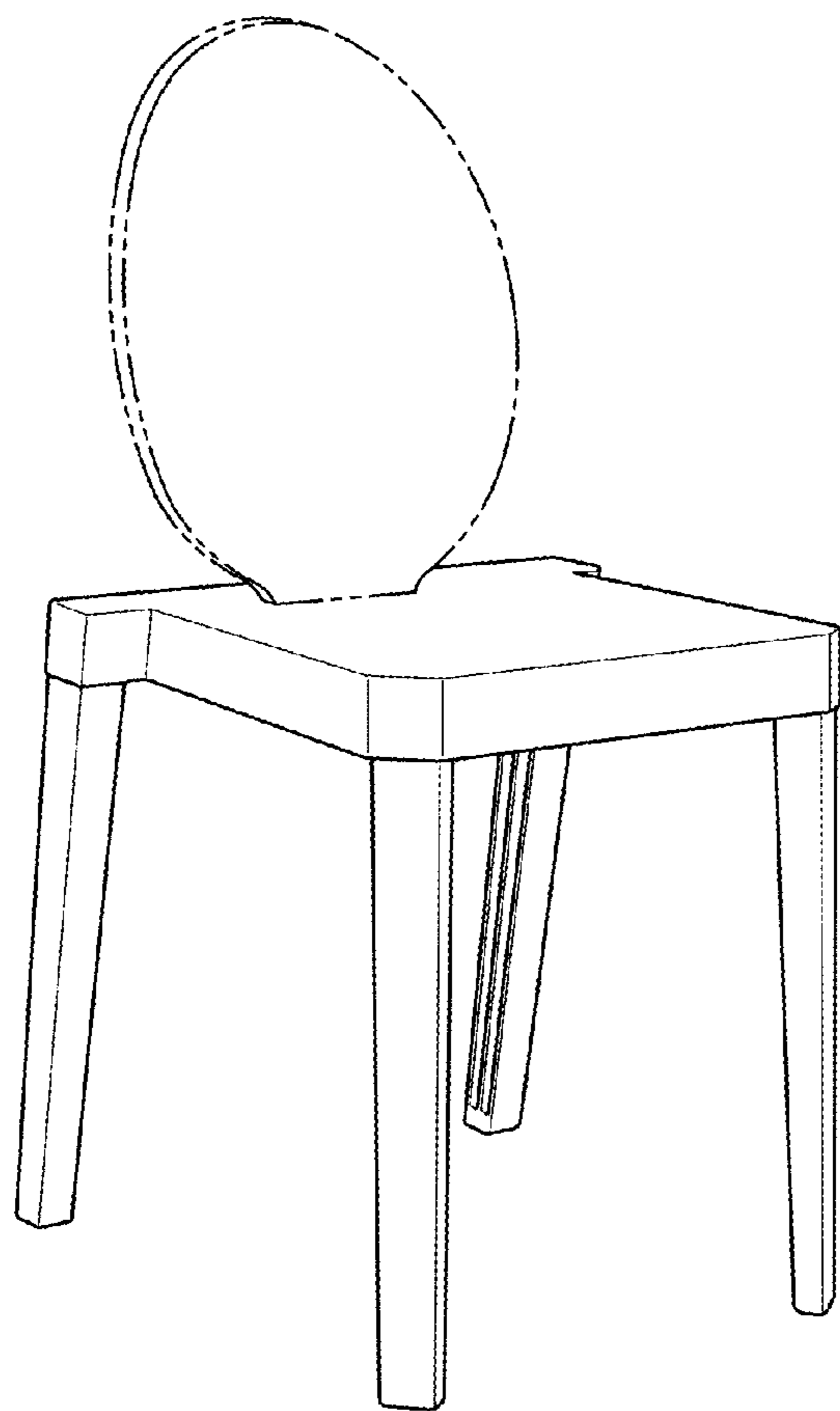


FIG. 1

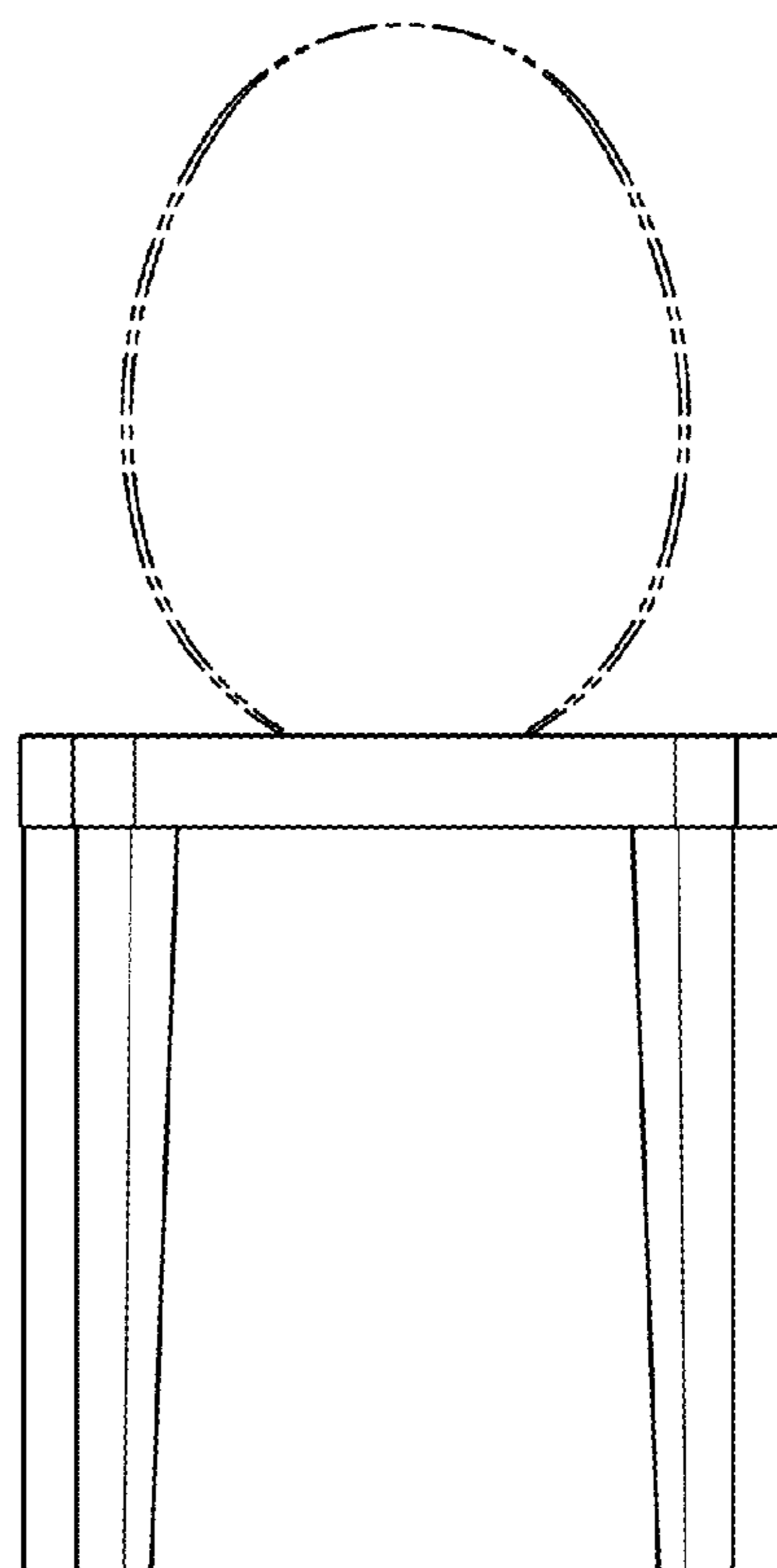


FIG. 2

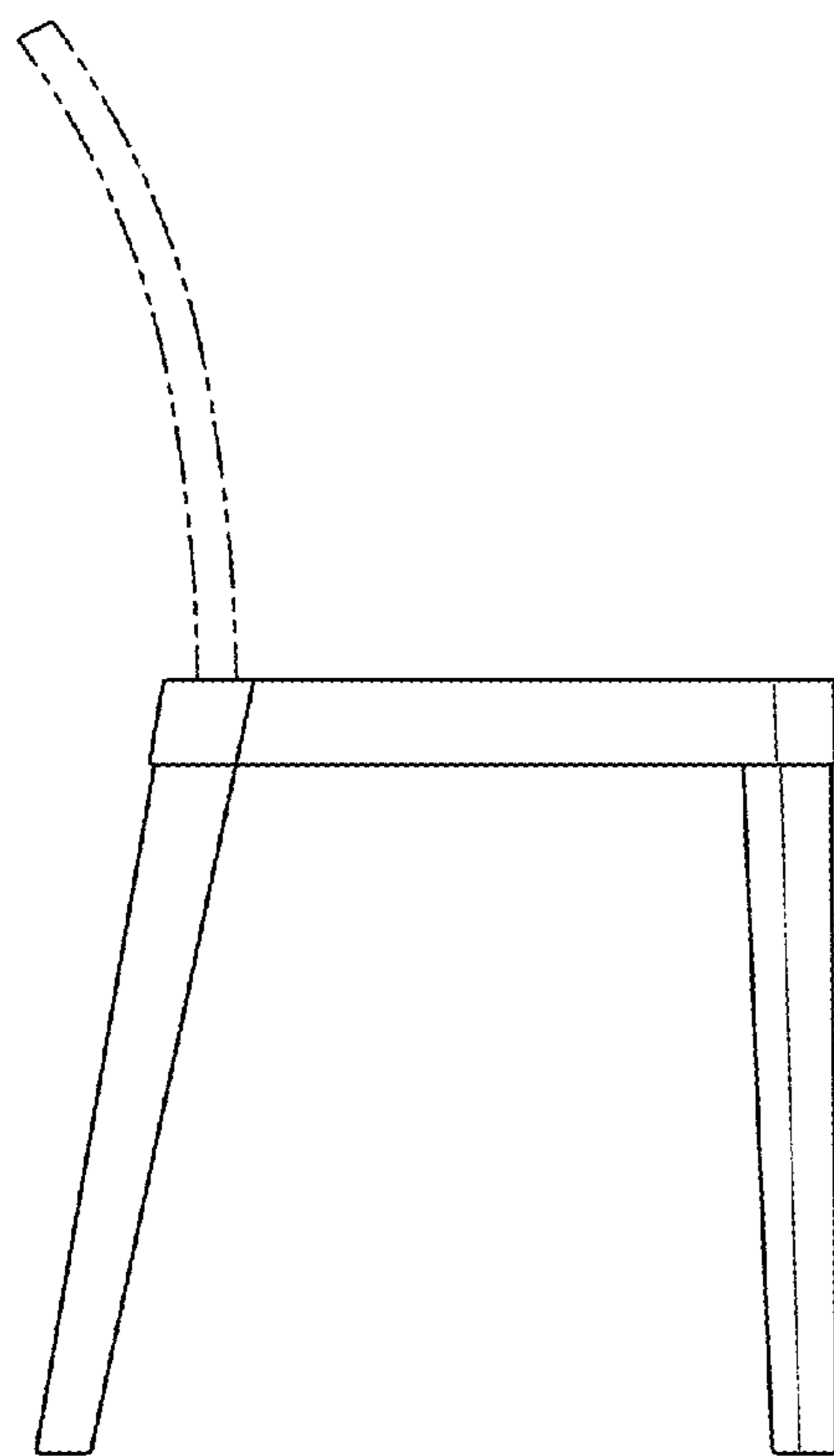


FIG. 3

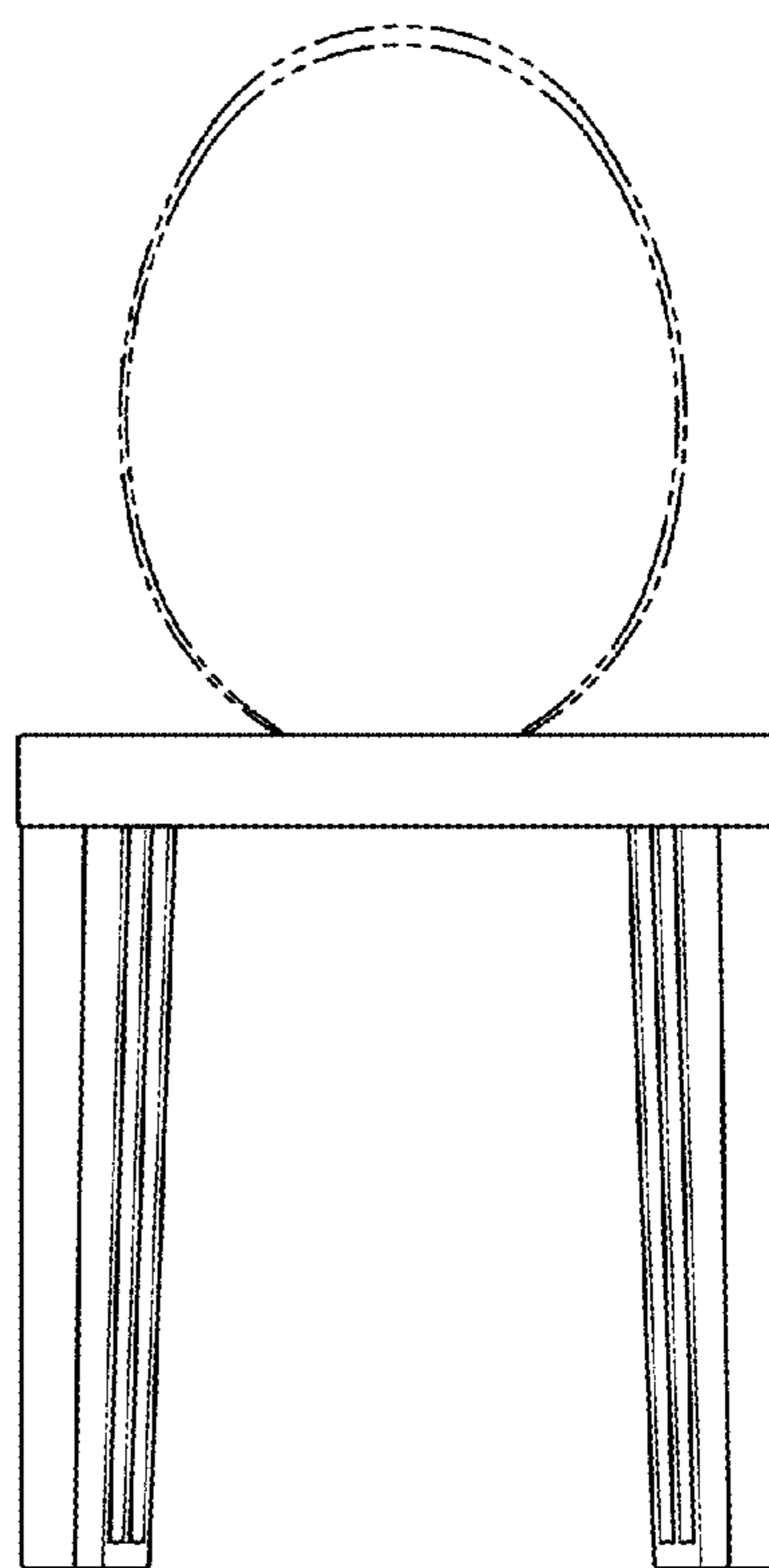


FIG. 4

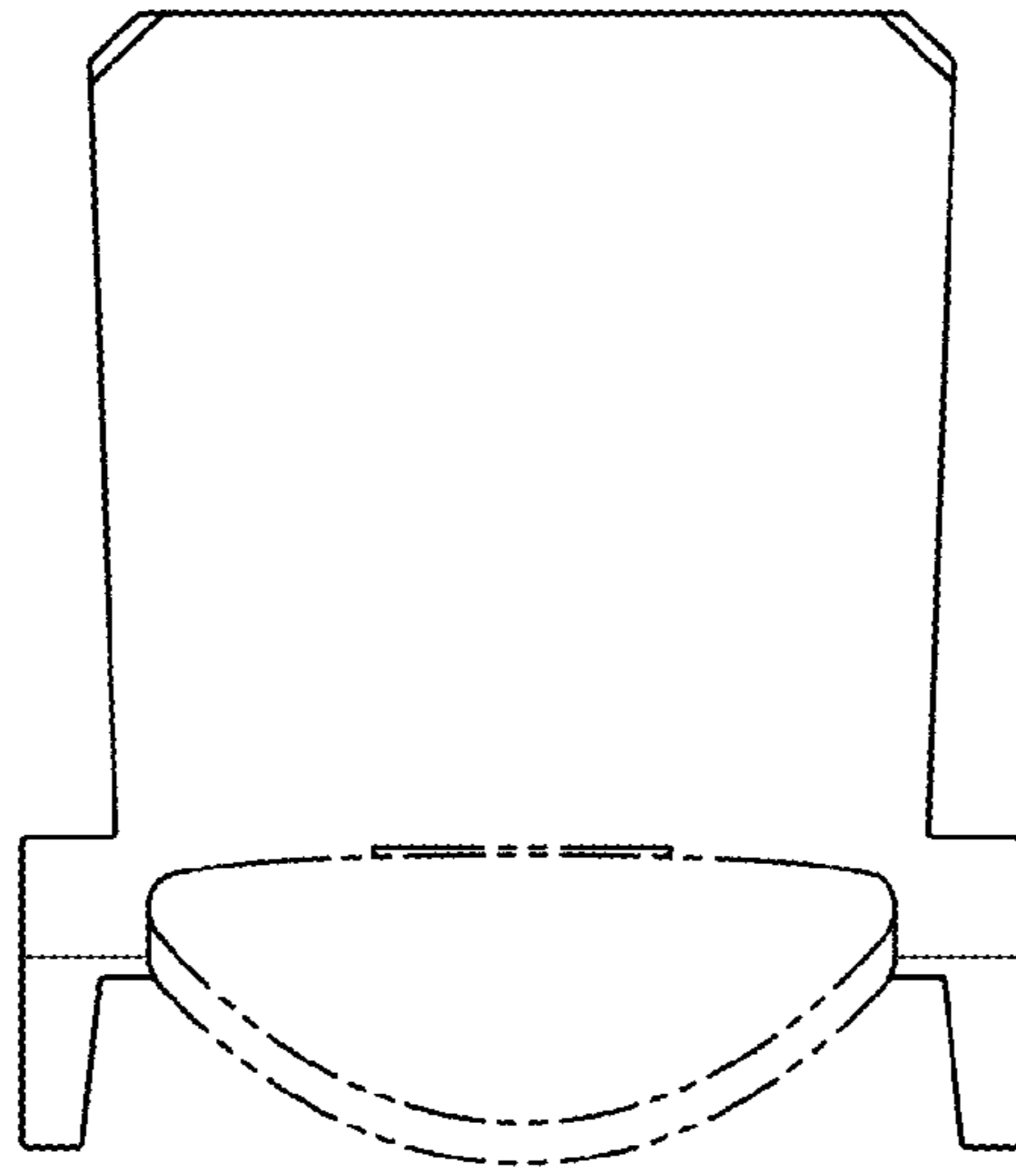


FIG. 5

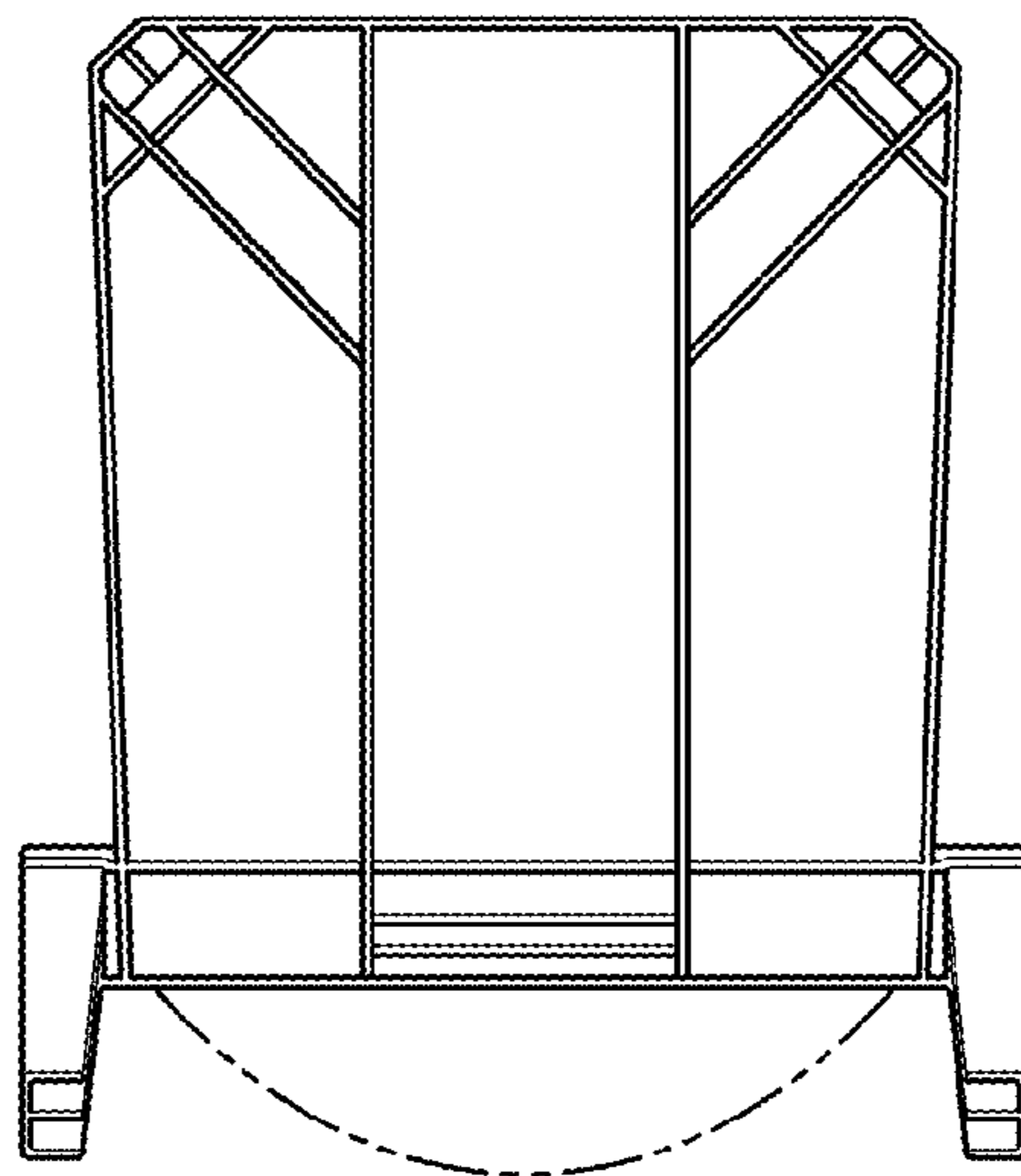


FIG. 6

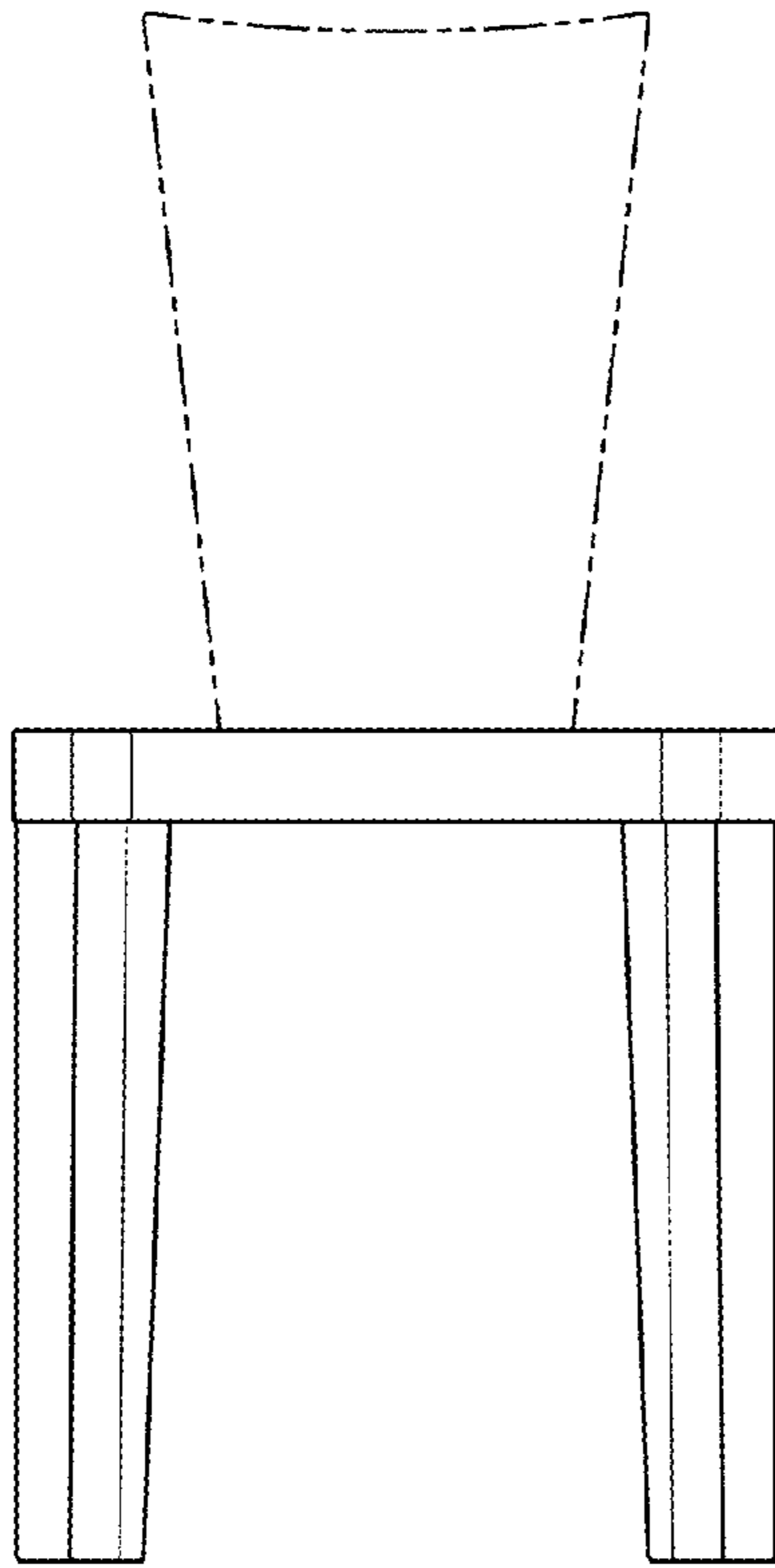


FIG. 7

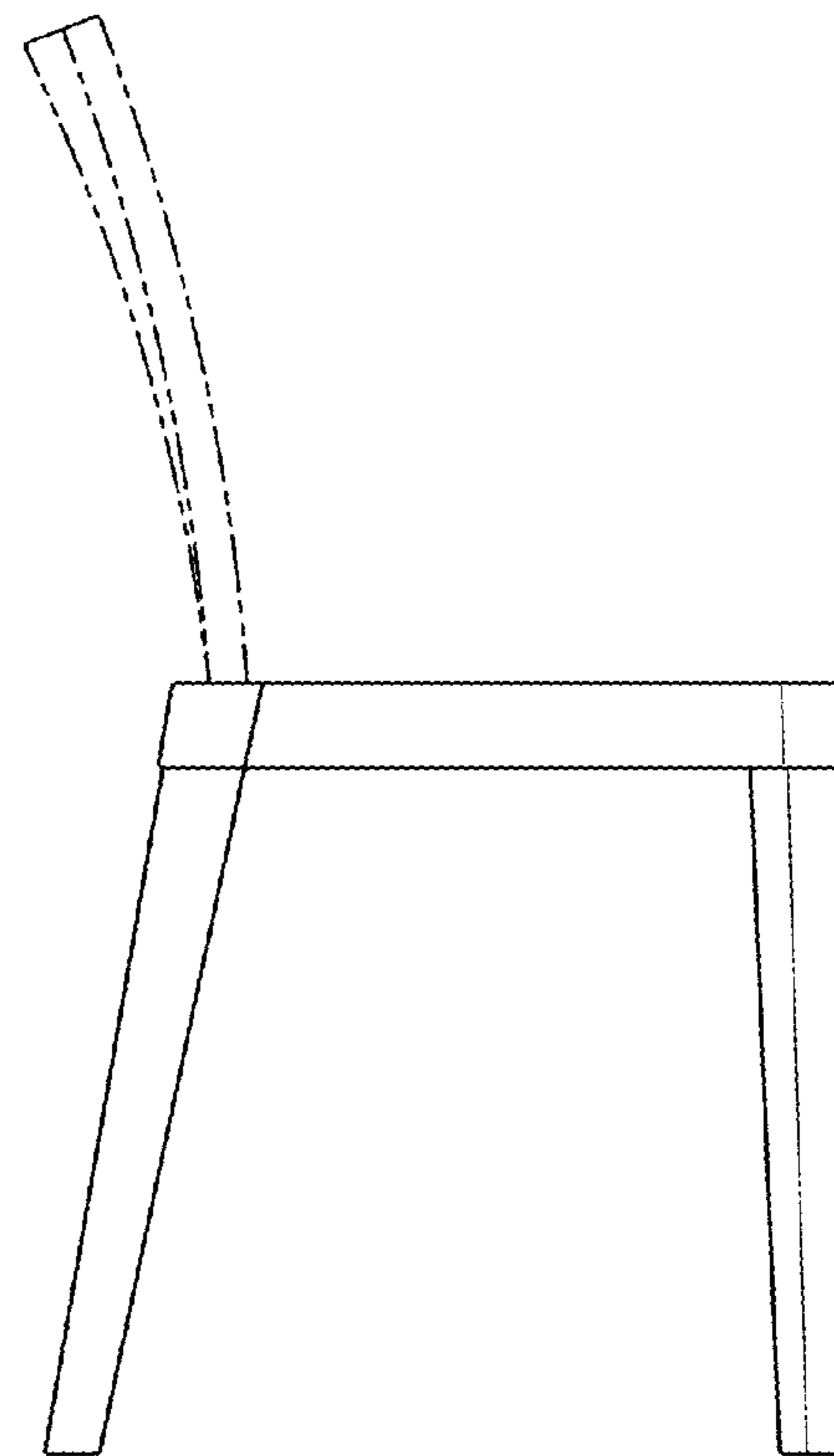


FIG. 8

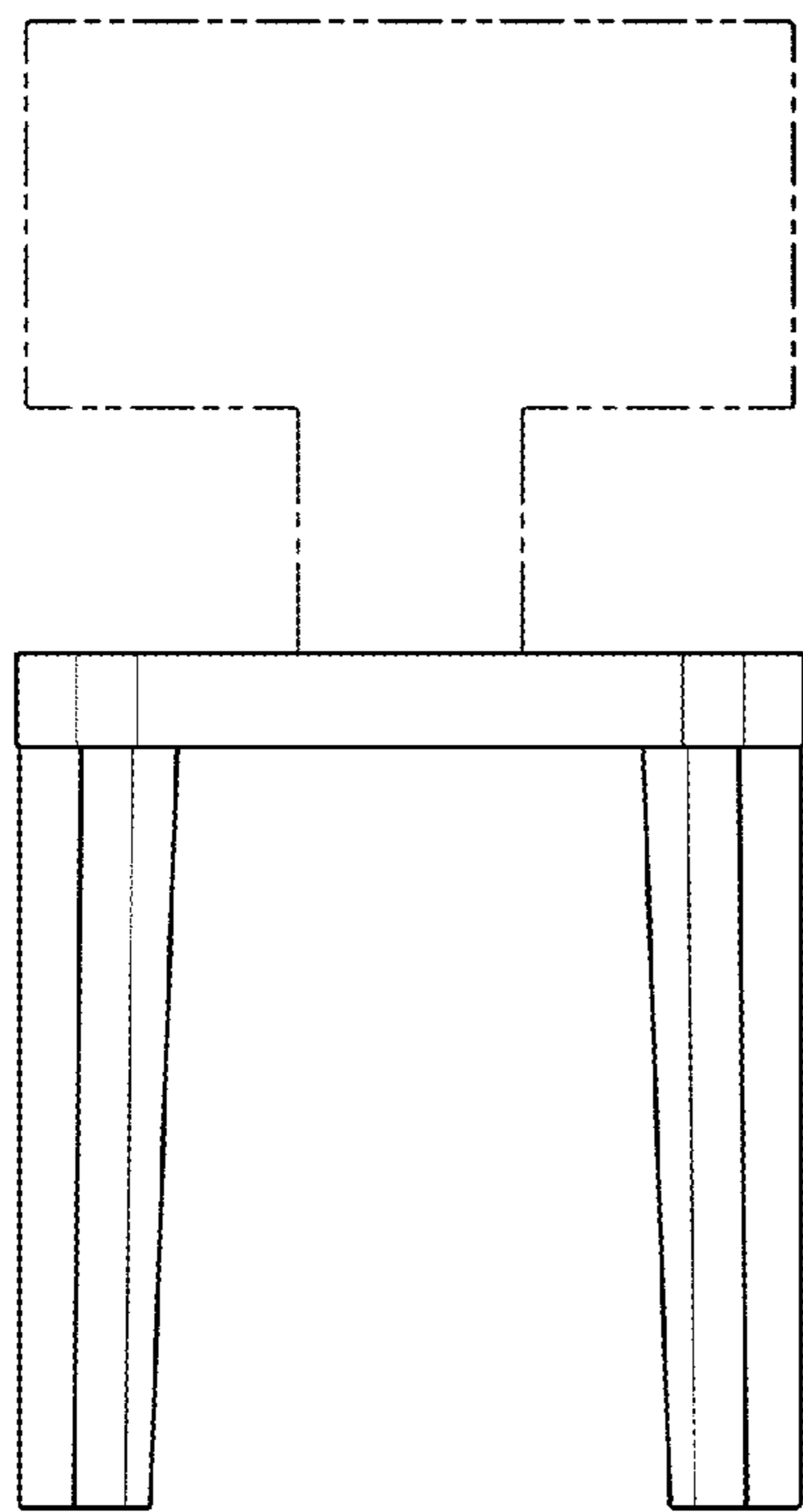


FIG. 9

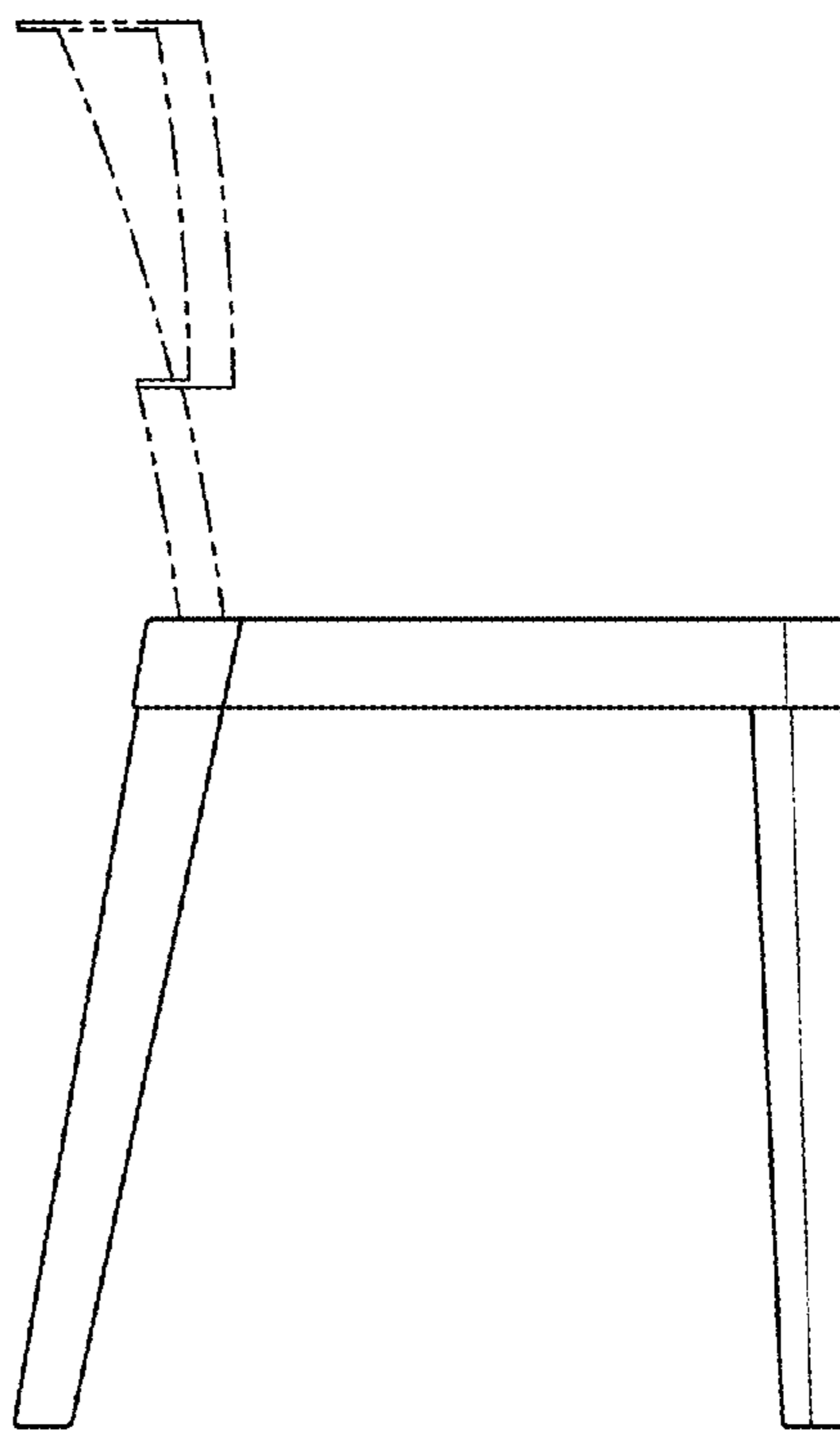


FIG. 10