



US00D688893S

(12) **United States Design Patent**
Cornacchia

(10) **Patent No.:** **US D688,893 S**

(45) **Date of Patent:** **** *Sep. 3, 2013**

(54) **BALL SHAPE REMOTE CONTROL HOLDER**

DESCRIPTION

(76) Inventor: **Louis Cornacchia**, Point Lookout, NY (US)

(*) Notice: This patent is subject to a terminal disclaimer.

(**) Term: **14 Years**

(21) Appl. No.: **29/424,709**

(22) Filed: **Jun. 14, 2012**

(51) **LOC (9) Cl.** **06-04**

(52) **U.S. Cl.**
USPC **D6/434**

(58) **Field of Classification Search**

USPC D6/334-336, 344-349, 360-381, D6/388, 403, 434, 454-450, 495-502, 601, D6/674; D8/38, 354; D21/329, 707-713; D30/101, 160; 297/22, 31, 35, 239, 256.16, 297/284.4-284.5, 291, 297, 302.4, 411.2, 297/411.27-411.29, 411.43, 440.13, 440.15, 297/451.1, 452.13, 452.19, 452.21, 452.27, 297/452.29, 452.3, 452.41, 452.56, 452.64
See application file for complete search history.

(56) **References Cited**

U.S. PATENT DOCUMENTS

D234,994 S 4/1975 Stiene
D241,869 S * 10/1976 Hilprecht D21/713

(Continued)

Primary Examiner — Ricky Pham

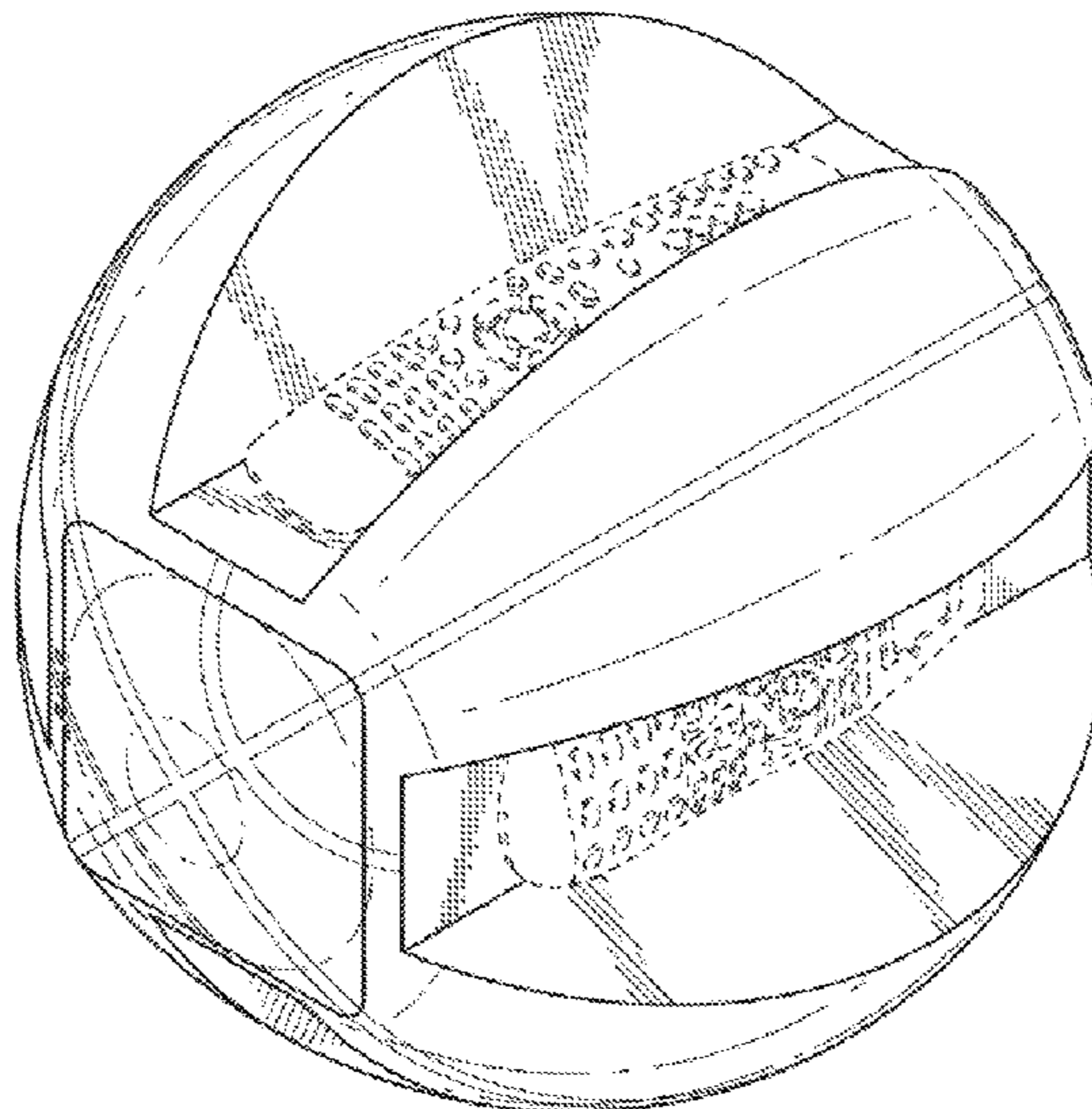
(74) *Attorney, Agent, or Firm* — Mark D. Trenner; Trenner Law Firm, LLC

(57) **CLAIM**

The ornamental design for a ball shape remote control holder, substantially as shown in the attached drawings.

FIG. 1 is a perspective view of a ball shape remote control holder, with a lid that opens and closes shown closed, wherein remote control devices which do not form part of the design are shown in phantom as these may be positioned in a pocket of the ball shape remote control holder;
FIG. 2 is a left plan view corresponding to FIG. 1;
FIG. 3 is a right plan view corresponding to FIG. 1;
FIG. 4 is a front plan view corresponding to FIG. 1 (with rear, top and bottom views being the same), wherein a hook-and-loop or VELCRO® fastener does not form part of the design and therefore is shown in phantom;
FIG. 5 is a perspective view of the ball shape remote control holder with the lid that opens and closes shown open to reveal a storage area inside the ball shape remote control holder;
FIG. 6 is a left plan view corresponding to FIG. 5;
FIG. 7 is a right plan view corresponding to FIG. 5;
FIG. 8 is a front plan view corresponding to FIG. 5;
FIG. 9 is a rear plan view corresponding to FIG. 5;
FIG. 10 is a top plan view corresponding to FIG. 5 (with bottom view being the same);
FIG. 11 is a cross sectional view taken through line 11-11 of FIG. 4 showing the top/left perspective view corresponding to FIG. 1 and showing a cylindrical storage area inside the football shape remote control holder;
FIG. 12 is a cross sectional view taken through line 12-12 of FIG. 4 showing the bottom/right perspective view corresponding to FIG. 1 showing the cylindrical storage area inside the football shape remote control holder;
FIG. 13 is a cross sectional view taken through line 13-13 of FIG. 4 showing the top/left perspective view corresponding to FIG. 1 showing an alternative rectangular storage area inside the football shape remote control holder; and,
FIG. 14 is a cross sectional view taken through line 14-14 of FIG. 4 showing the bottom/right perspective view corresponding to FIG. 1 showing the rectangular storage area inside the football shape remote control holder.

1 Claim, 7 Drawing Sheets



(56)

References Cited

U.S. PATENT DOCUMENTS

4,712,693 A 12/1987 Striplin
4,838,505 A 6/1989 Lowe
D322,724 S 12/1991 Stravitz
5,195,634 A 3/1993 Zaug
D348,366 S 7/1994 Stravitz
D353,067 S 12/1994 Asmar
D353,956 S 1/1995 Schmidt
D363,619 S 10/1995 Karnaze
D371,917 S 7/1996 Thomas
D428,752 S 8/2000 Marquez, Jr.
D473,066 S 4/2003 Kwok
D494,775 S 8/2004 Birmingham
D499,607 S 12/2004 Lyon

D503,758 S * 4/2005 Crane et al. D21/707
D516,646 S * 3/2006 Yang D21/713
D519,751 S 5/2006 Etter
D532,995 S 12/2006 Dorazio
D556,275 S * 11/2007 Crane et al. D21/713
D579,740 S * 11/2008 Moman D8/38
D599,505 S * 9/2009 Crane et al. D30/160
D611,729 S * 3/2010 Lau D6/450
D623,436 S * 9/2010 Lau D6/450
D644,077 S * 8/2011 Moman D8/38
D644,078 S * 8/2011 Moman D8/38
D651,372 S * 12/2011 Rutherford D30/160
D660,384 S * 5/2012 Saber et al. D21/707
D662,804 S * 7/2012 Larson D8/354

* cited by examiner

Fig. 1

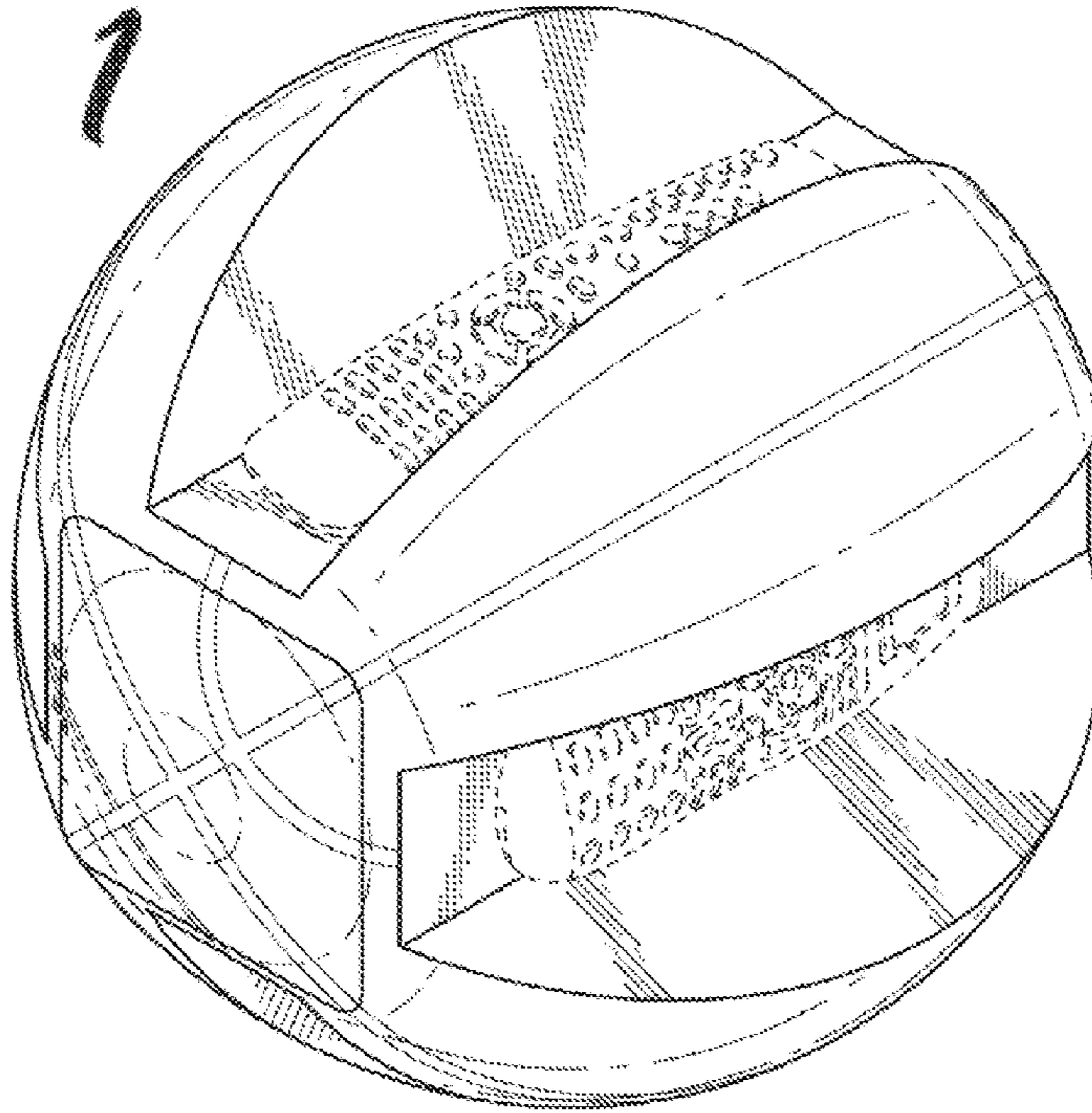


Fig. 2

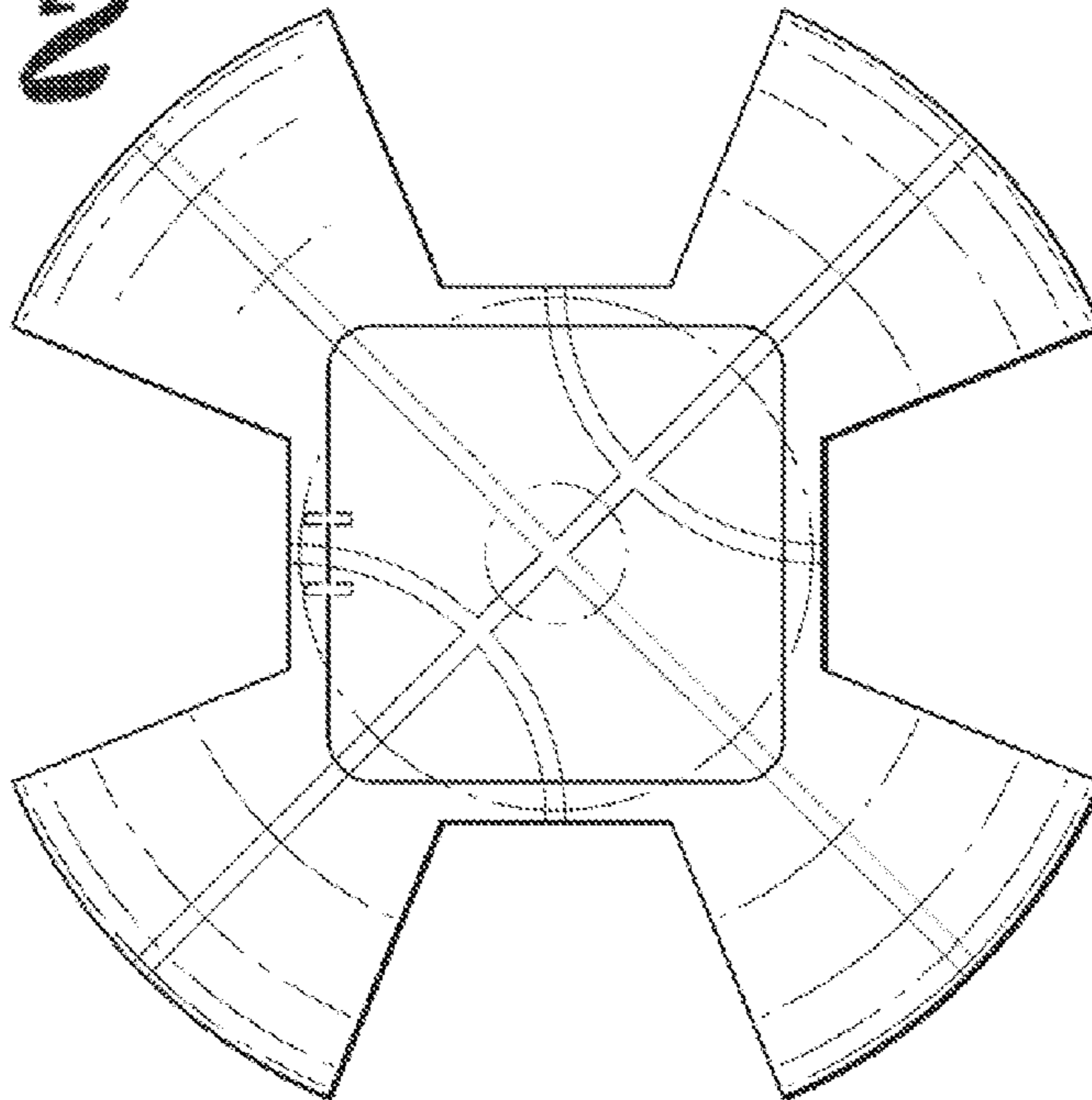


Fig. 3

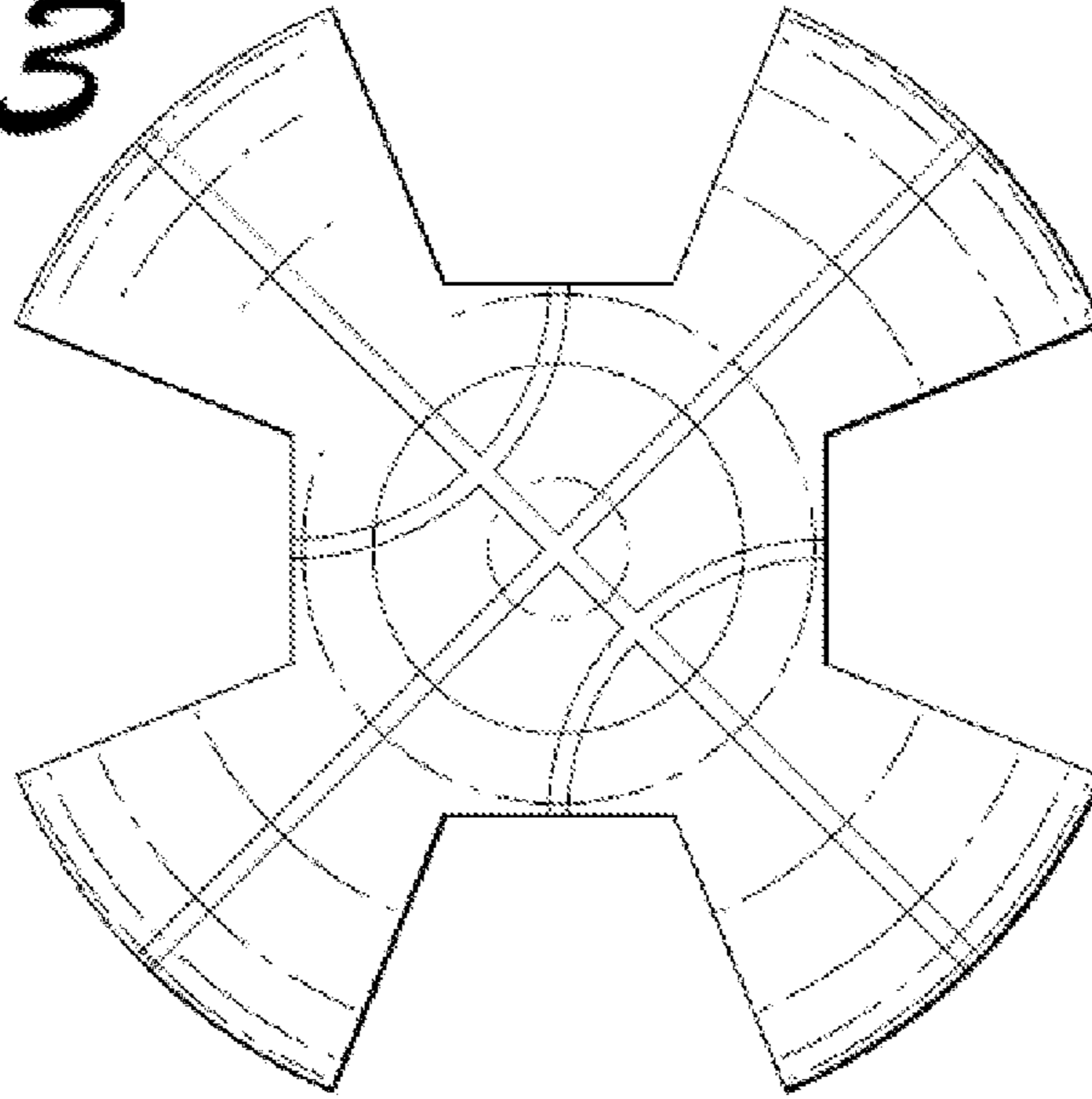


Fig. 4

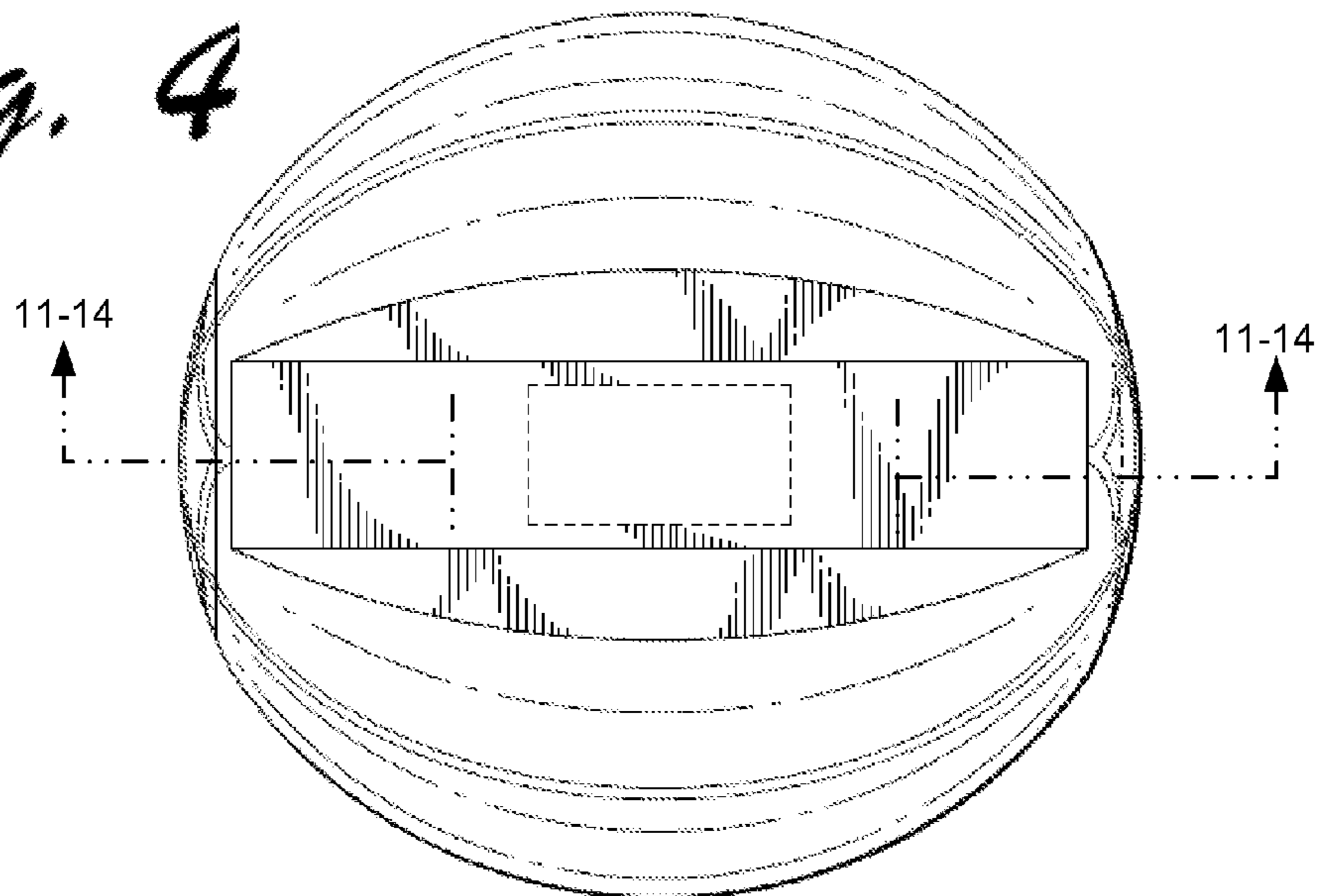


Fig. 5

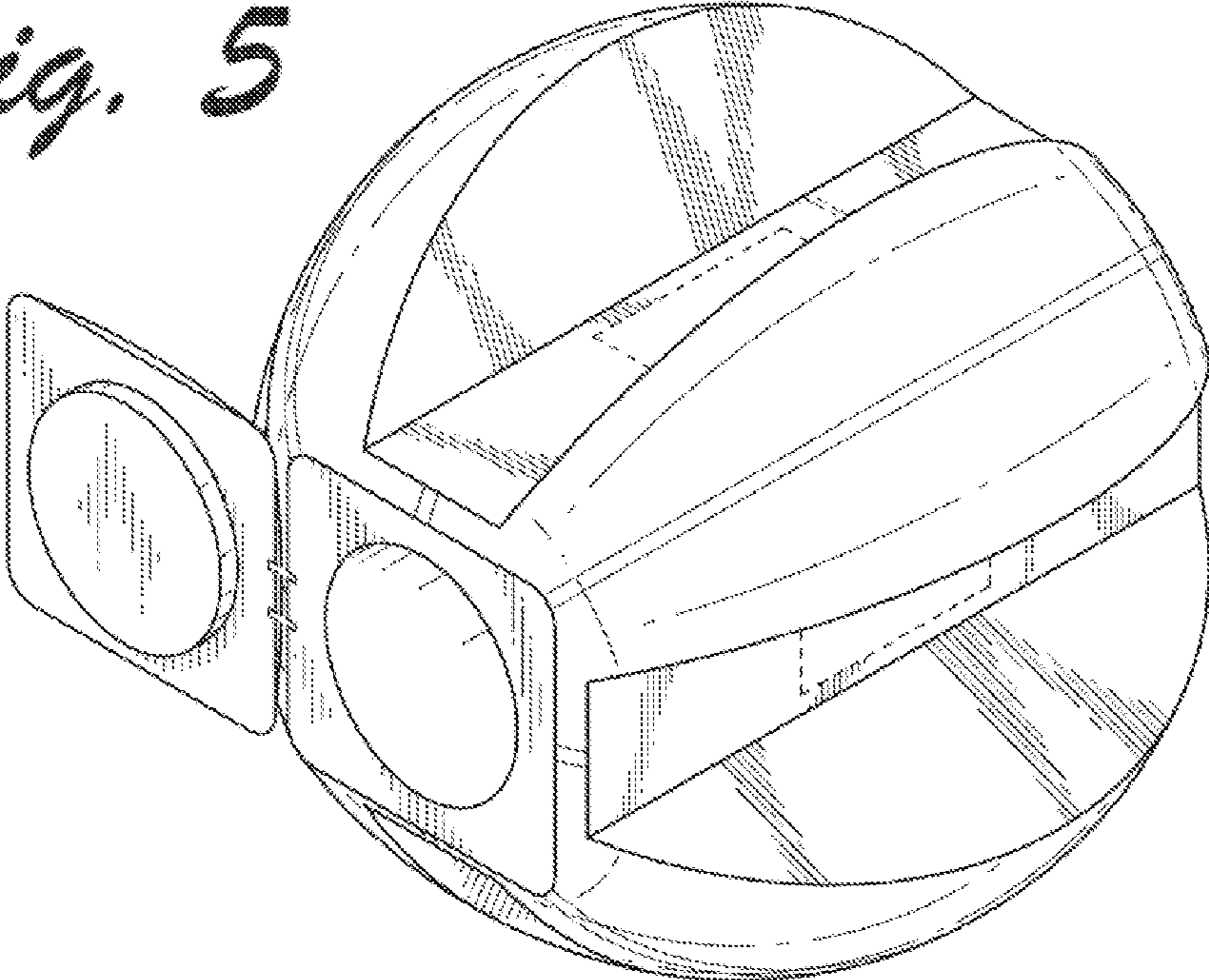


Fig. 6

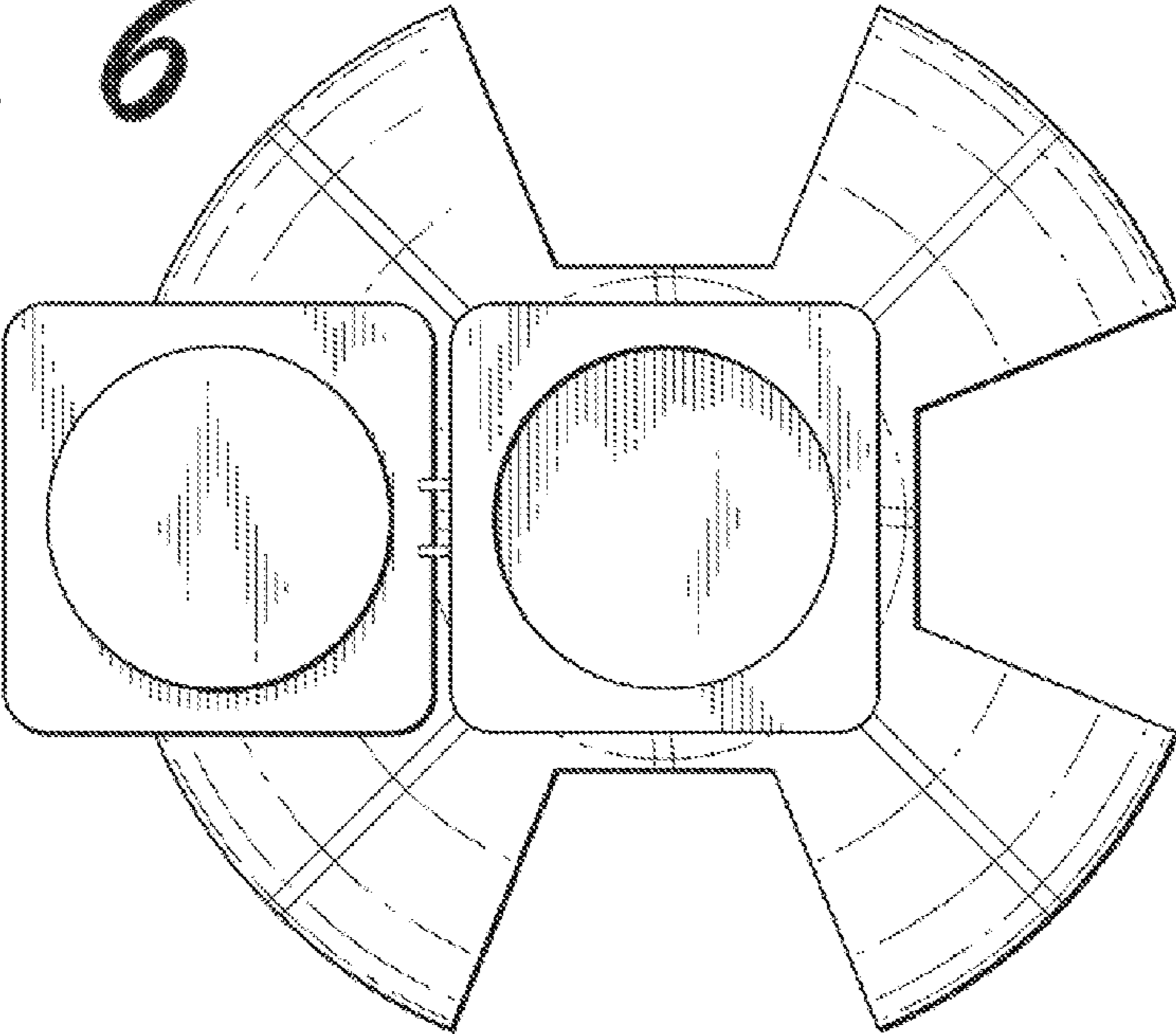


Fig. 7

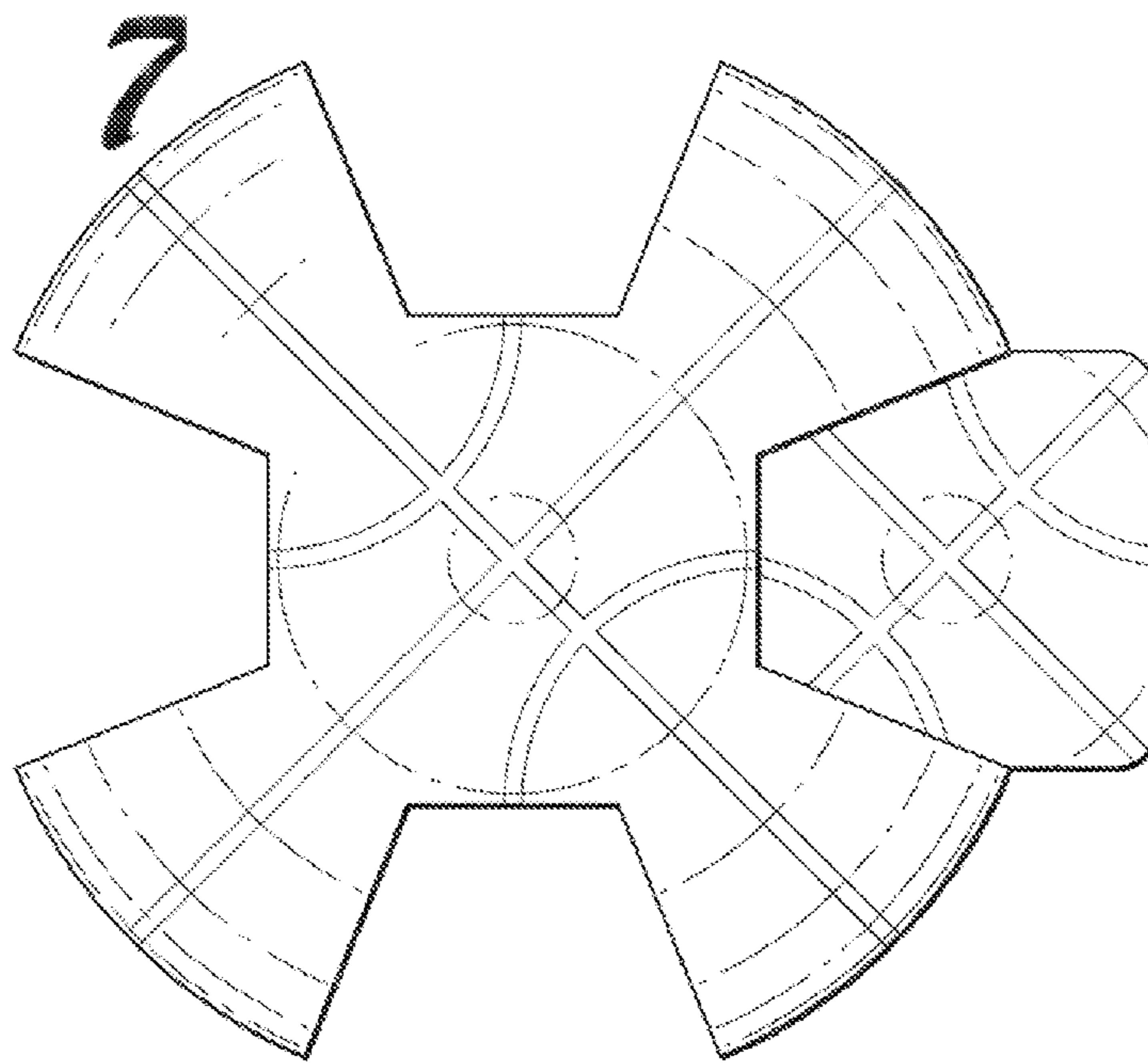


Fig. 8

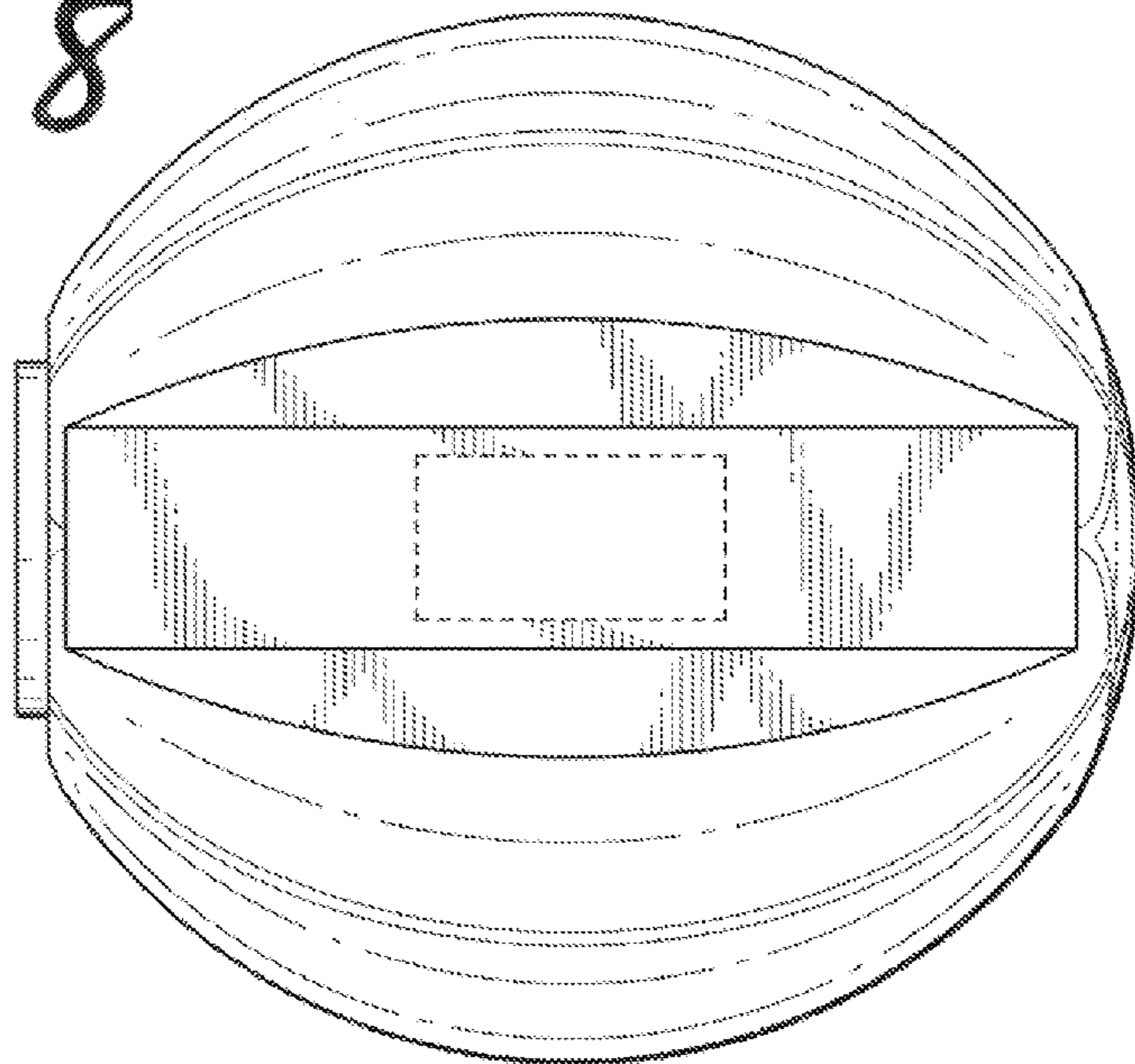


Fig. 9

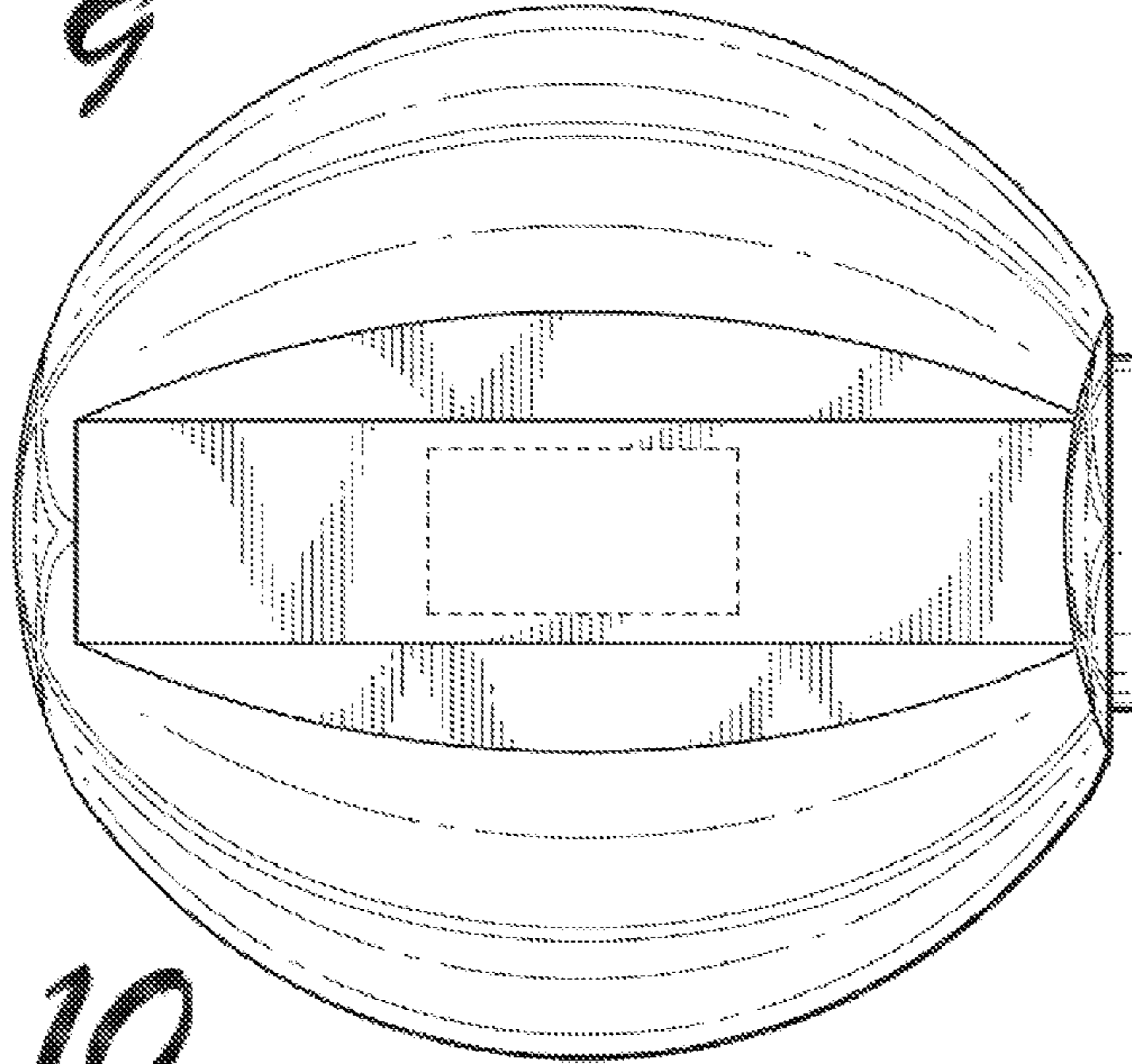


Fig. 10

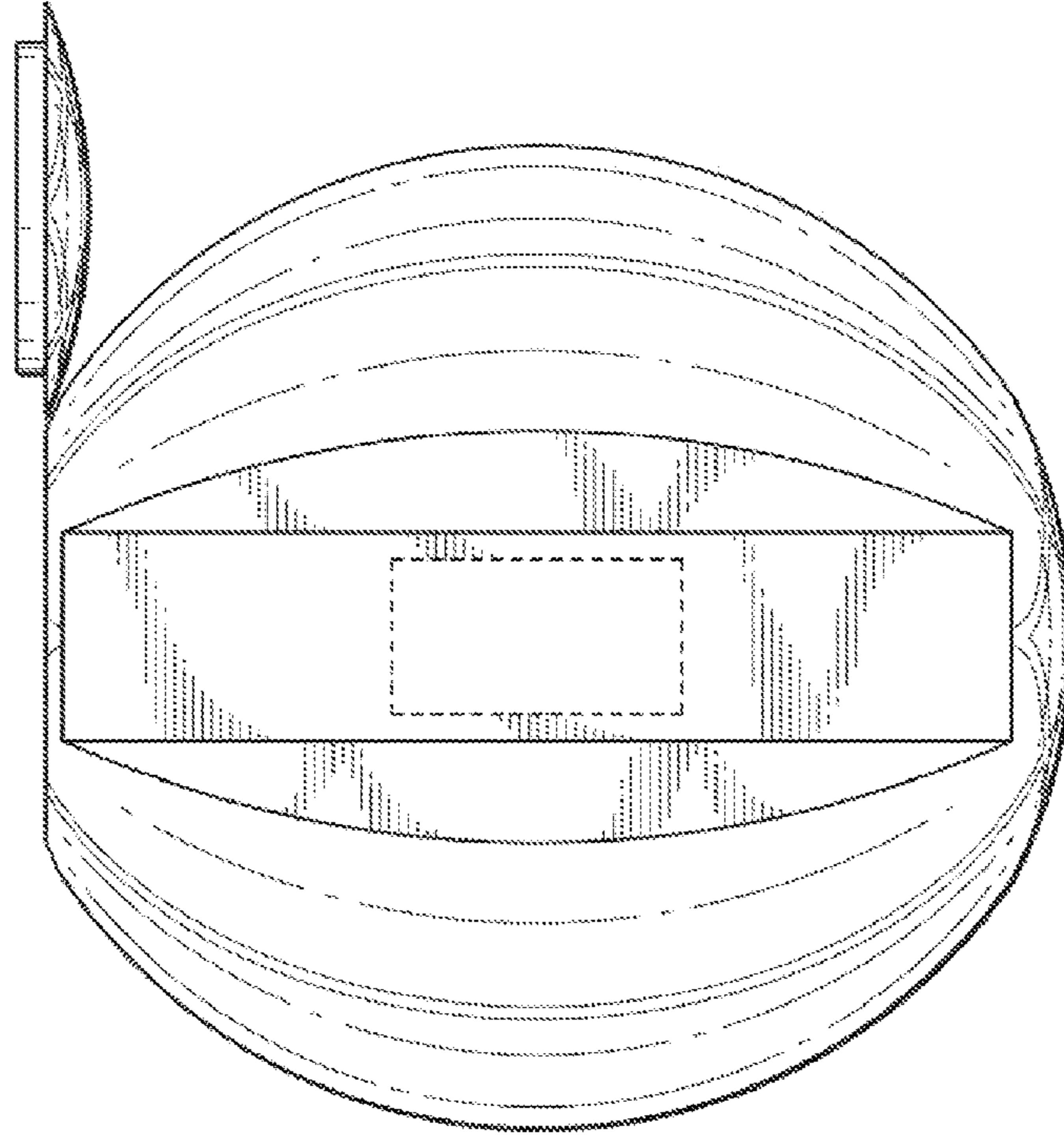


Fig. 11

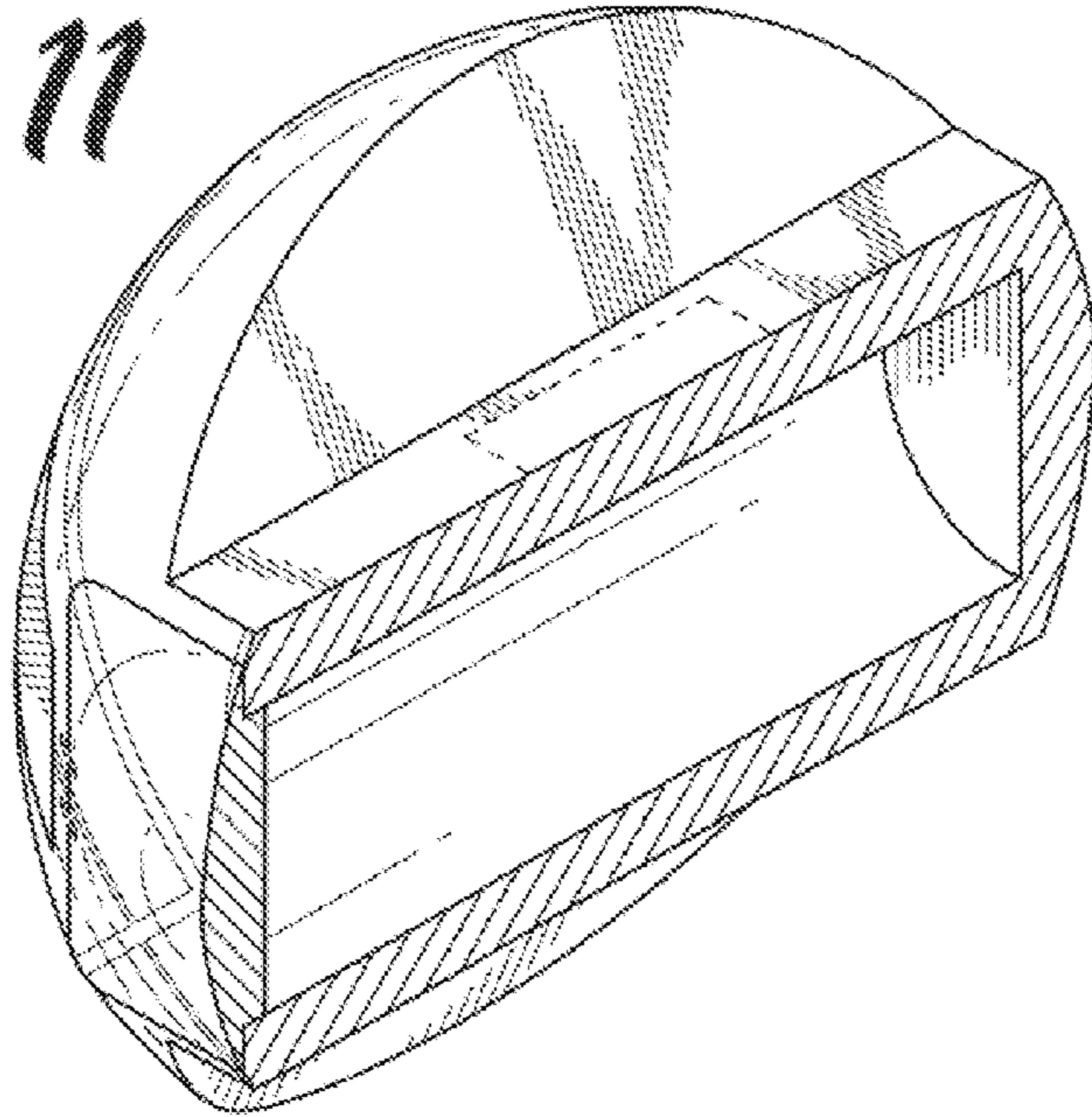


Fig. 12

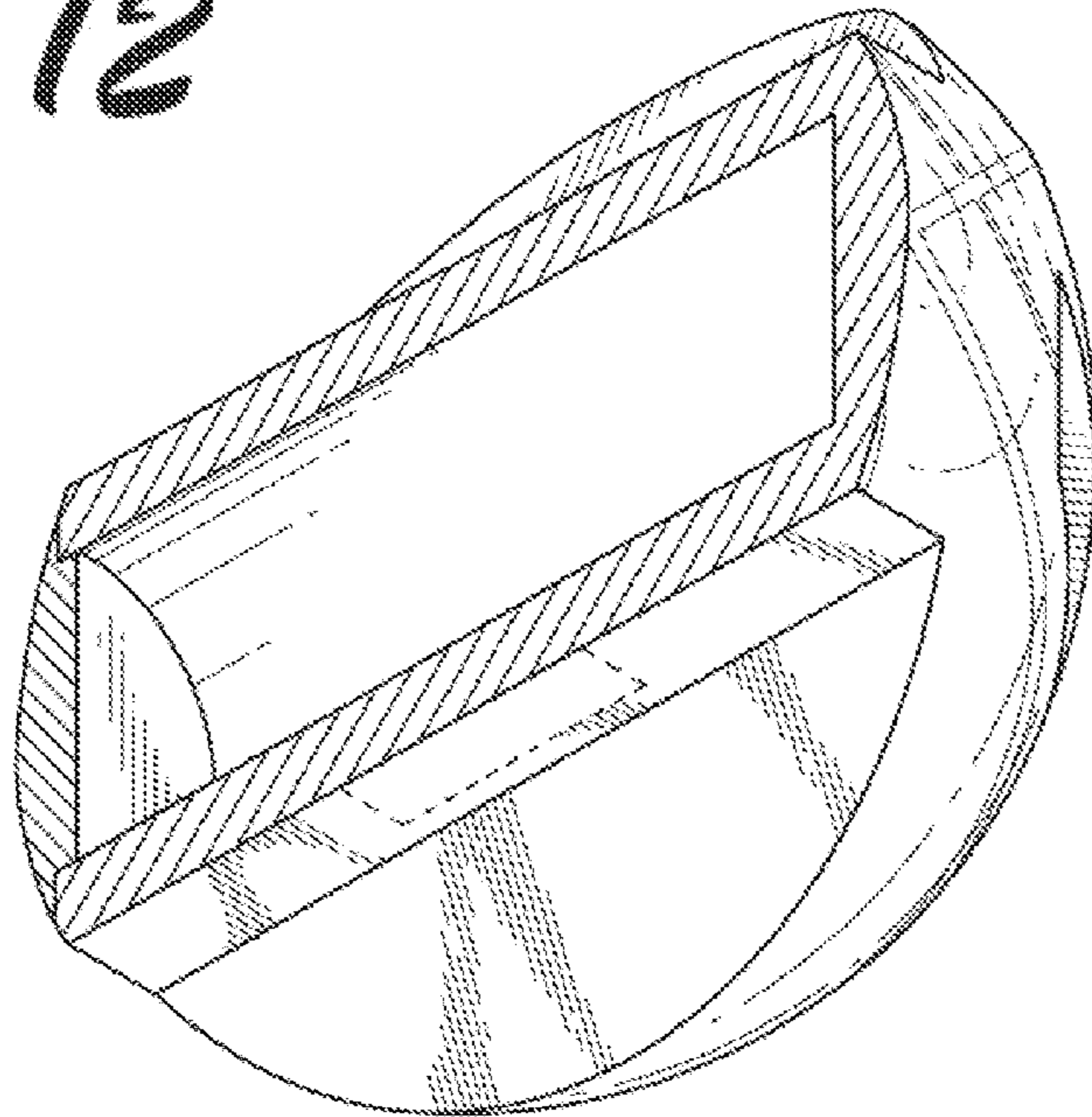


Fig. 13

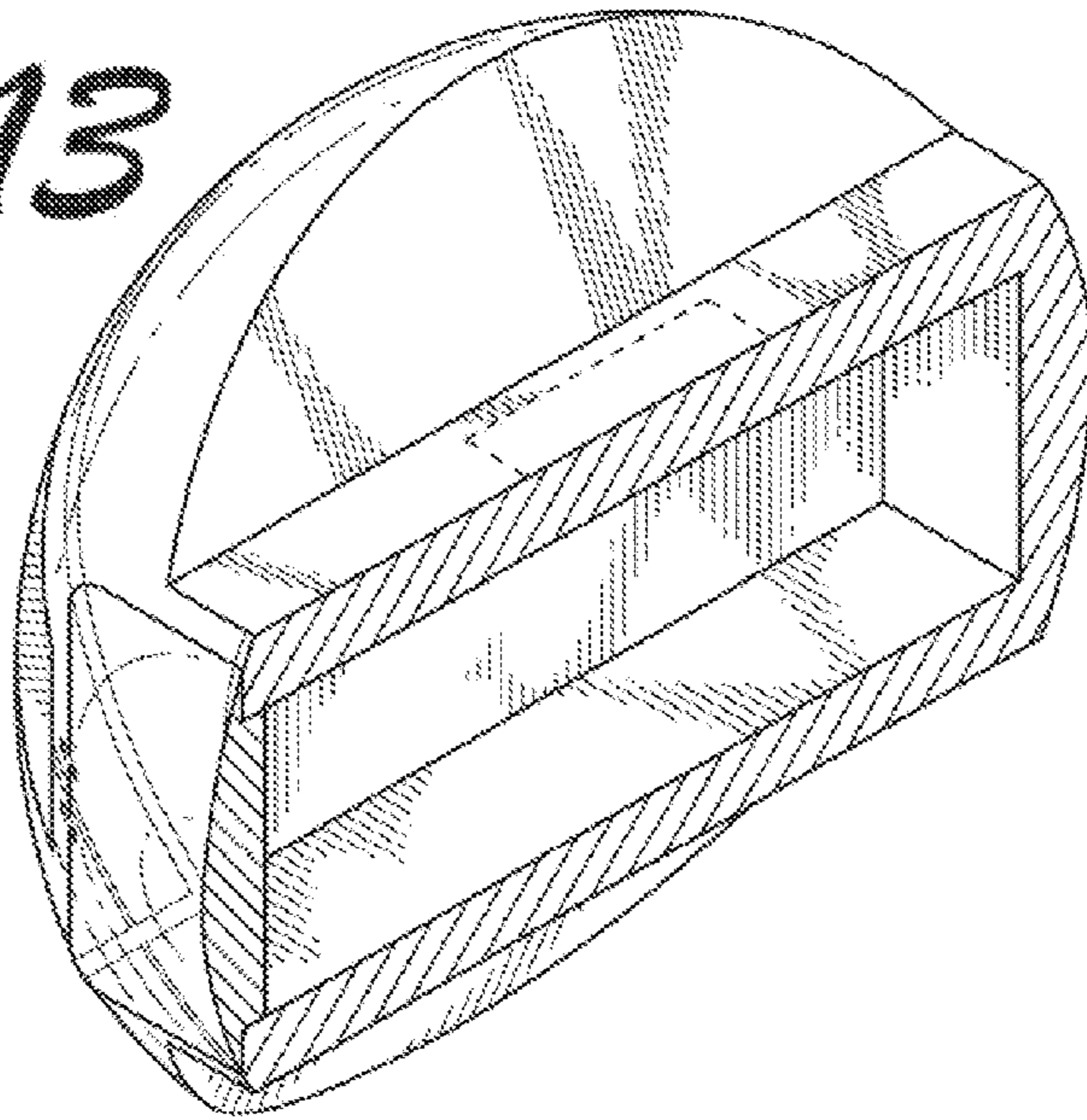


Fig. 14

