



US00D688891S

(12) **United States Design Patent**
Caruso

(10) **Patent No.:** **US D688,891 S**
(45) **Date of Patent:** **** Sep. 3, 2013**

(54) **GARDENING SUPPORT**

(71) Applicant: **Steven Jerome Caruso**, Antioch, IL
(US)

(72) Inventor: **Steven Jerome Caruso**, Antioch, IL
(US)

(**) Term: **14 Years**

(21) Appl. No.: **29/433,541**

(22) Filed: **Oct. 1, 2012**

Related U.S. Application Data

(63) Continuation of application No. 29/384,458, filed on
Jan. 31, 2011, now Pat. No. Des. 668,122.

(51) **LOC (9) Cl.** **11-02**

(52) **U.S. Cl.**
USPC **D6/403; D11/156**

(58) **Field of Classification Search**
USPC D6/403-405, 556-558; D8/1;
D11/143-156, 164; D19/77, 80, 81, 84;
D25/100; D26/9-11, 16, 19; D34/1, 2, 4-6;
D99/5, 19; 47/17, 32.4, 32.5, 33, 39, 41.01,
47/41.1, 41.11-41.15, 44-47, 65, 65.5, 65.9,
47/66.1, 66.6, 66.7, 67-71

See application file for complete search history.

(56) **References Cited**

U.S. PATENT DOCUMENTS

D262,443	S	*	12/1981	Ham, Jr.	D11/156
D307,877	S	*	5/1990	White, Jr.	D11/148
D338,428	S	*	8/1993	Grosfillex	D11/156
D395,528	S	*	6/1998	Mayer et al.	D8/1
5,826,375	A	*	10/1998	Black	47/67
7,373,753	B1	*	5/2008	Caruso	47/39
D597,762	S	*	8/2009	Caruso	D6/405
7,735,800	B2	*	6/2010	Lunato et al.	47/39
7,856,756	B1	*	12/2010	Caruso	47/39
D631,677	S	*	2/2011	Caruso	D6/403
8,245,443	B1	*	8/2012	Caruso	47/39

* cited by examiner

Primary Examiner — Garth Rademaker

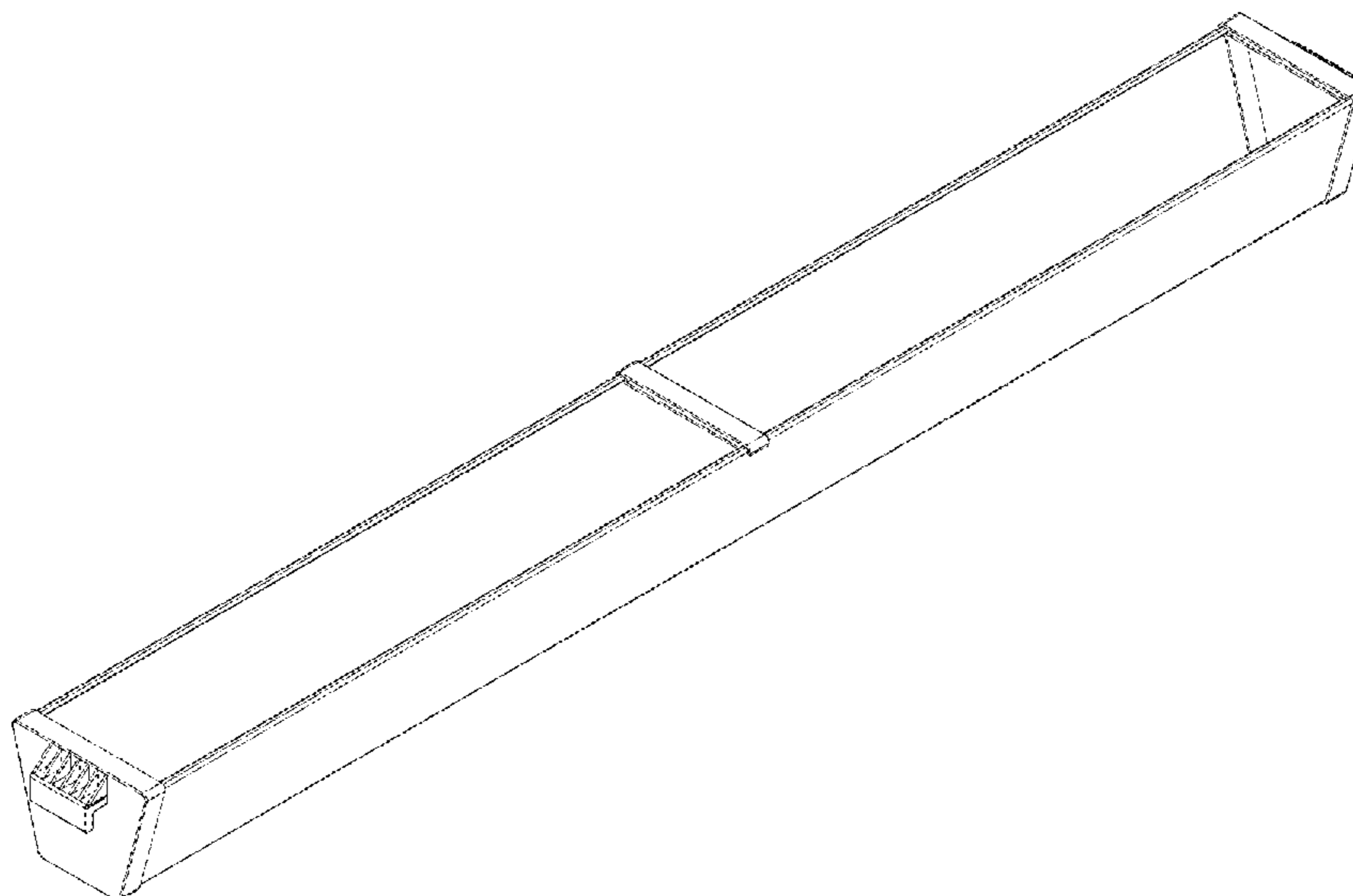
(57) **CLAIM**

The ornamental design for a gardening support, as shown and described.

DESCRIPTION

FIG. 1 is a top plan view of a gardening support showing the new design of the invention;
FIG. 2 is a front elevation view thereof;
FIG. 3 is a side elevation view thereof; and,
FIG. 4 is a perspective view thereof.

1 Claim, 3 Drawing Sheets



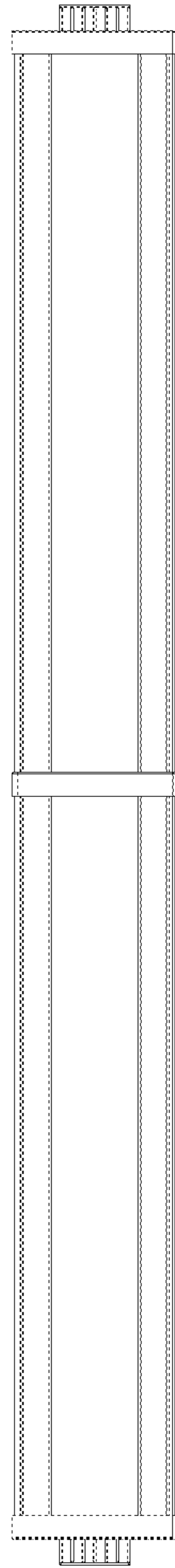


Figure 1

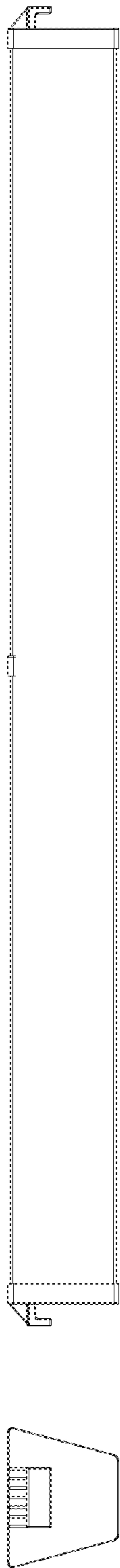


Figure 2

Figure 3

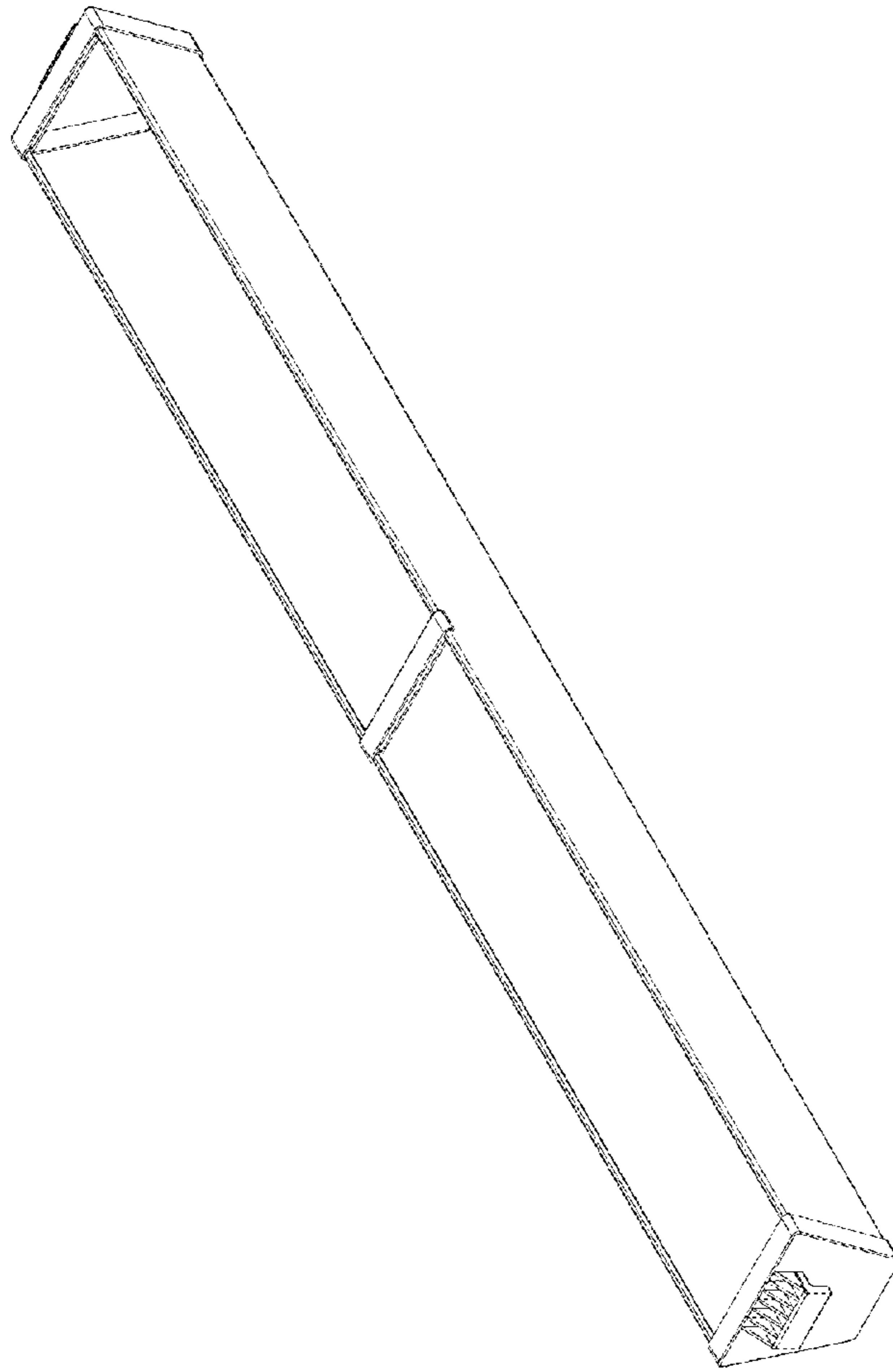


Figure 4