



US00D688888S

(12) **United States Design Patent**
Huang

(10) **Patent No.:** **US D688,888 S**

(45) **Date of Patent:** **** Sep. 3, 2013**

(54) **CHAIR**

(71) Applicant: **William Huang**, Commerce, CA (US)

(72) Inventor: **William Huang**, Commerce, CA (US)

(**) Term: **14 Years**

(21) Appl. No.: **29/439,771**

(22) Filed: **Dec. 14, 2012**

(51) **LOC (9) Cl.** **06-01**

(52) **U.S. Cl.**
USPC **D6/366**

(58) **Field of Classification Search**
USPC D6/334-336, 364, 365, 366, 367,
D6/369, 374, 379, 716, 716.1, 716.2, 716.3,
D6/716.4; 297/411.2, 411.28, 452.21, 452.26,
297/452.29, 452.32, 452.35, 452.37, 452.48
See application file for complete search history.

(56) **References Cited**

U.S. PATENT DOCUMENTS

D531,829 S * 11/2006 Huang D6/366
D532,628 S * 11/2006 Egger D6/716

D540,073 S * 4/2007 McDiarmid et al. D6/716
D543,716 S * 6/2007 Votteler et al. D6/366
D566,437 S * 4/2008 Egger D6/716
D611,717 S * 3/2010 Huang D6/366
D657,580 S * 4/2012 Zhou D6/366
D659,418 S * 5/2012 Huang D6/366
D659,419 S * 5/2012 Huang D6/366

* cited by examiner

Primary Examiner — Mimoso De

(74) *Attorney, Agent, or Firm* — Jen-Feng Lee, Esq.

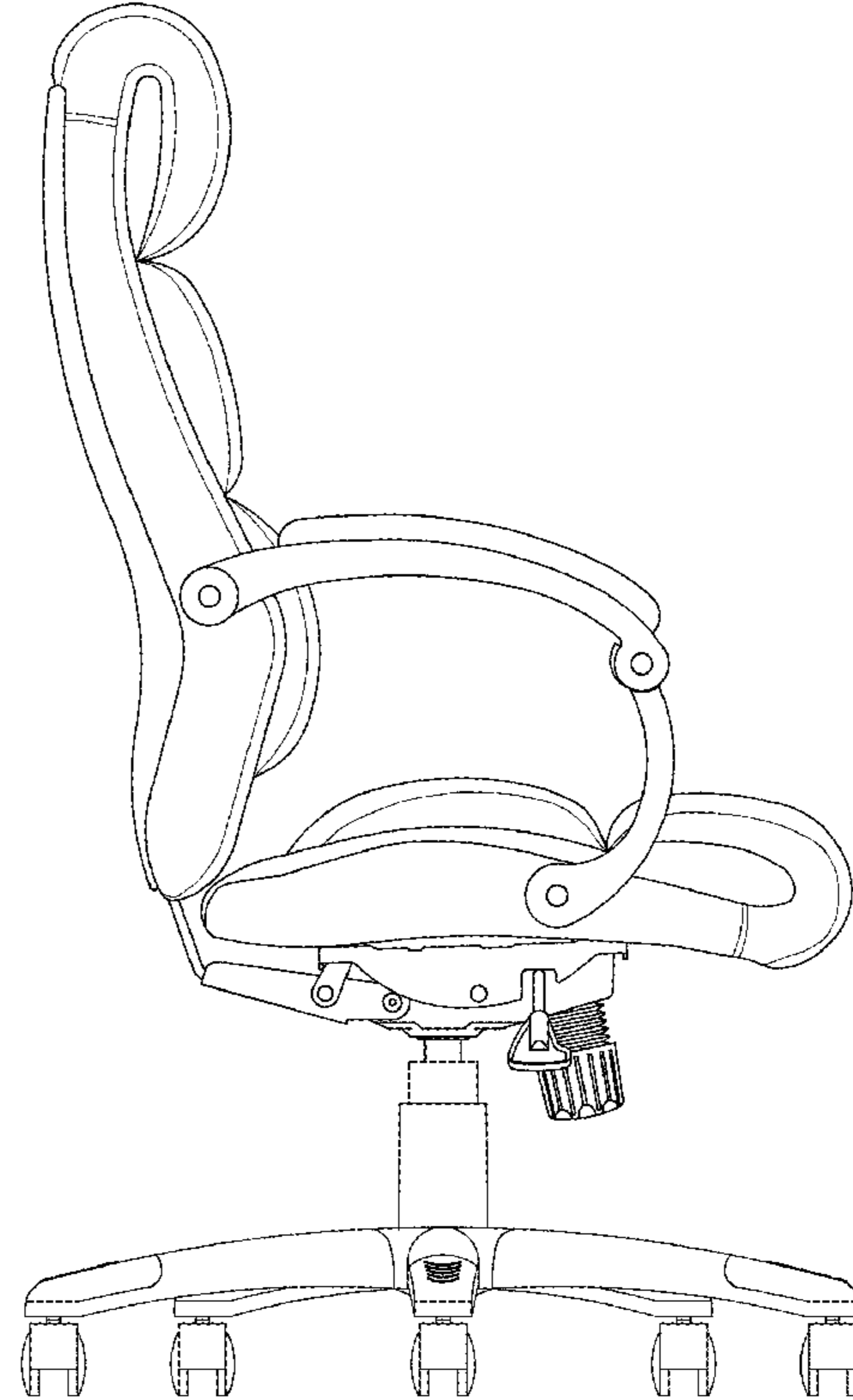
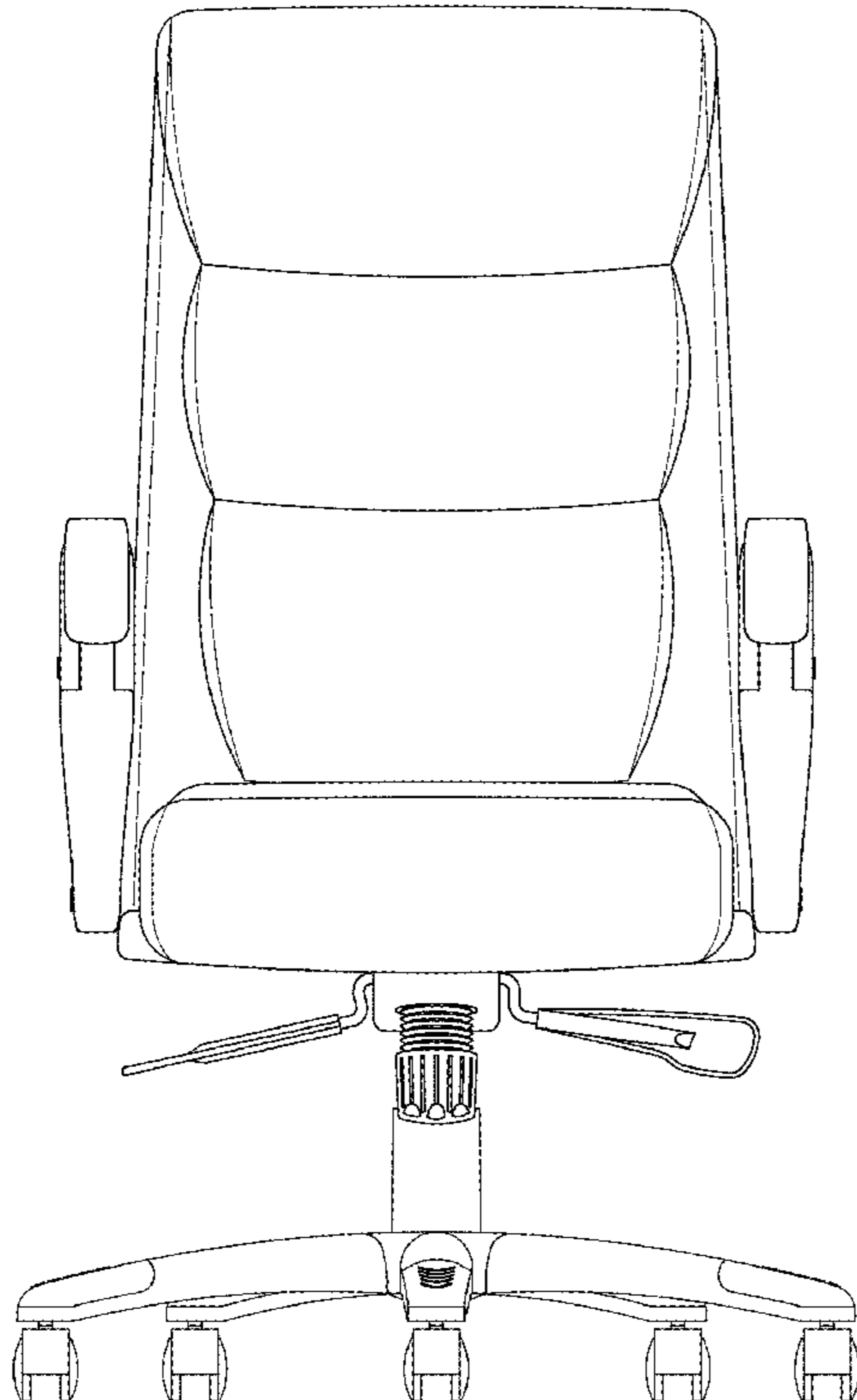
(57) **CLAIM**

I claim the ornamental design for a chair, as shown and described.

DESCRIPTION

FIG. 1 shows the front view of a chair showing my new design,
FIG. 2 shows the left side view thereof,
FIG. 3 shows the right side view thereof,
FIG. 4 shows the rear view thereof; and,
FIG. 5 shows the top plan view thereof.

1 Claim, 5 Drawing Sheets



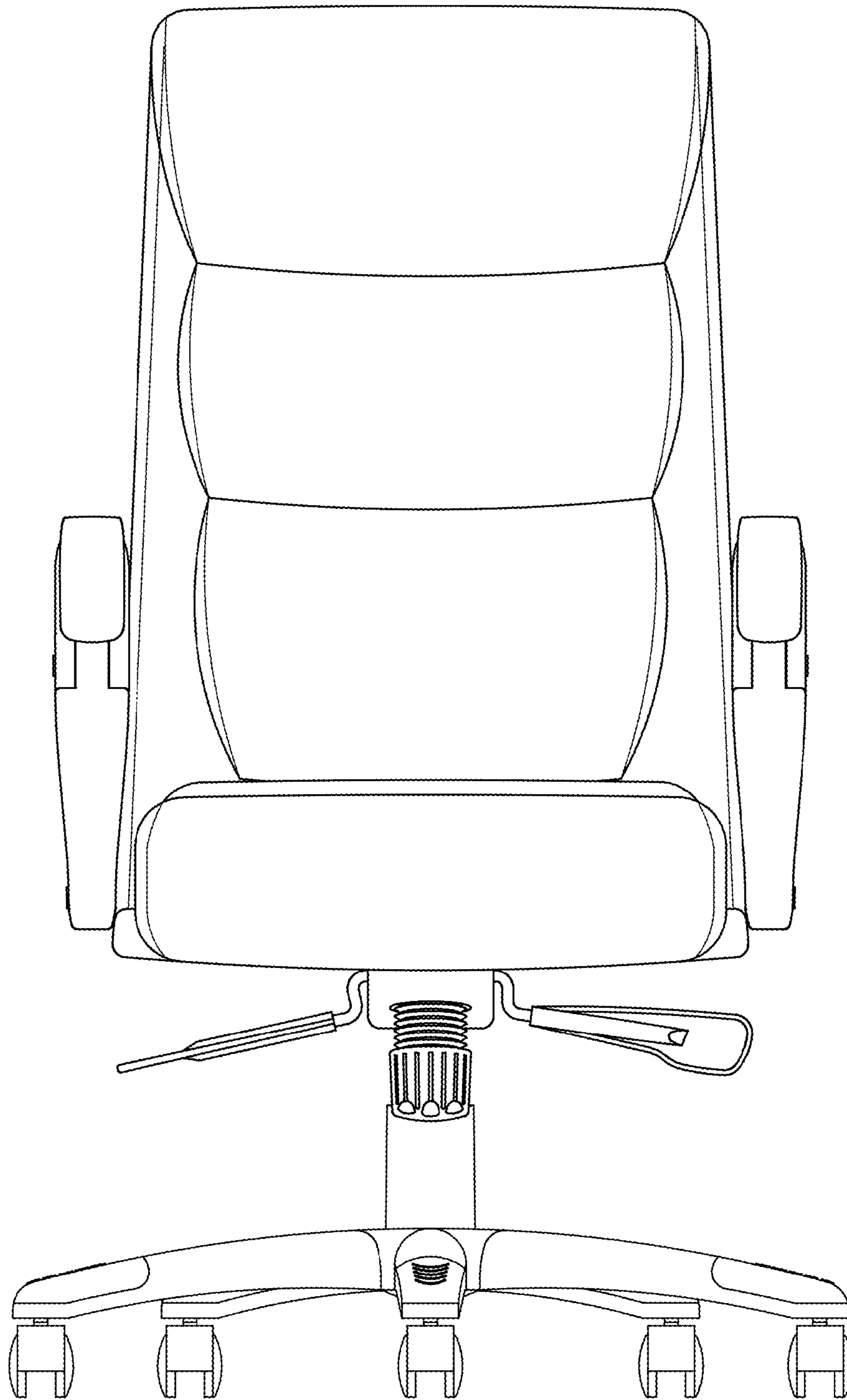


Figure 1

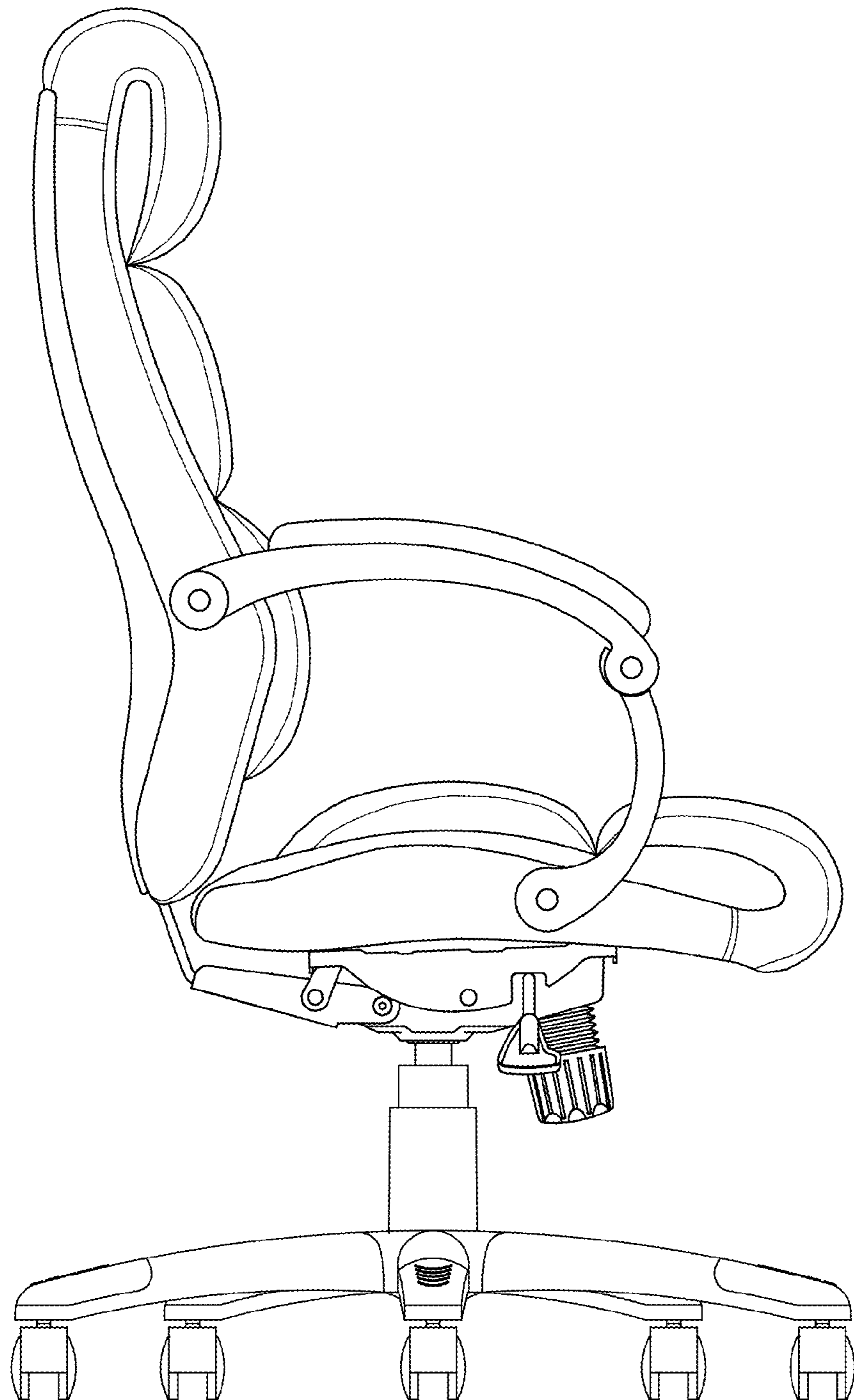


Figure 2

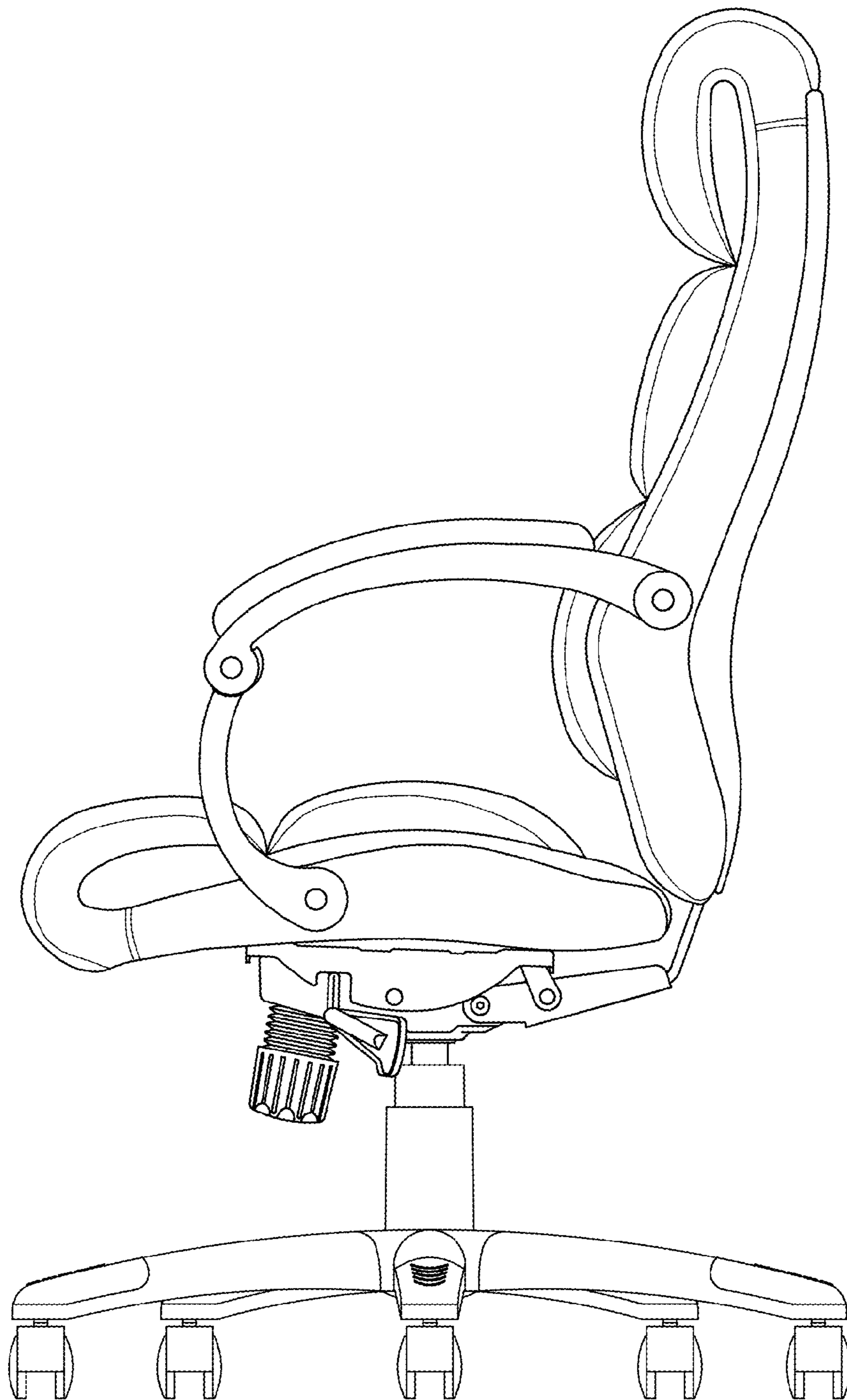


Figure 3

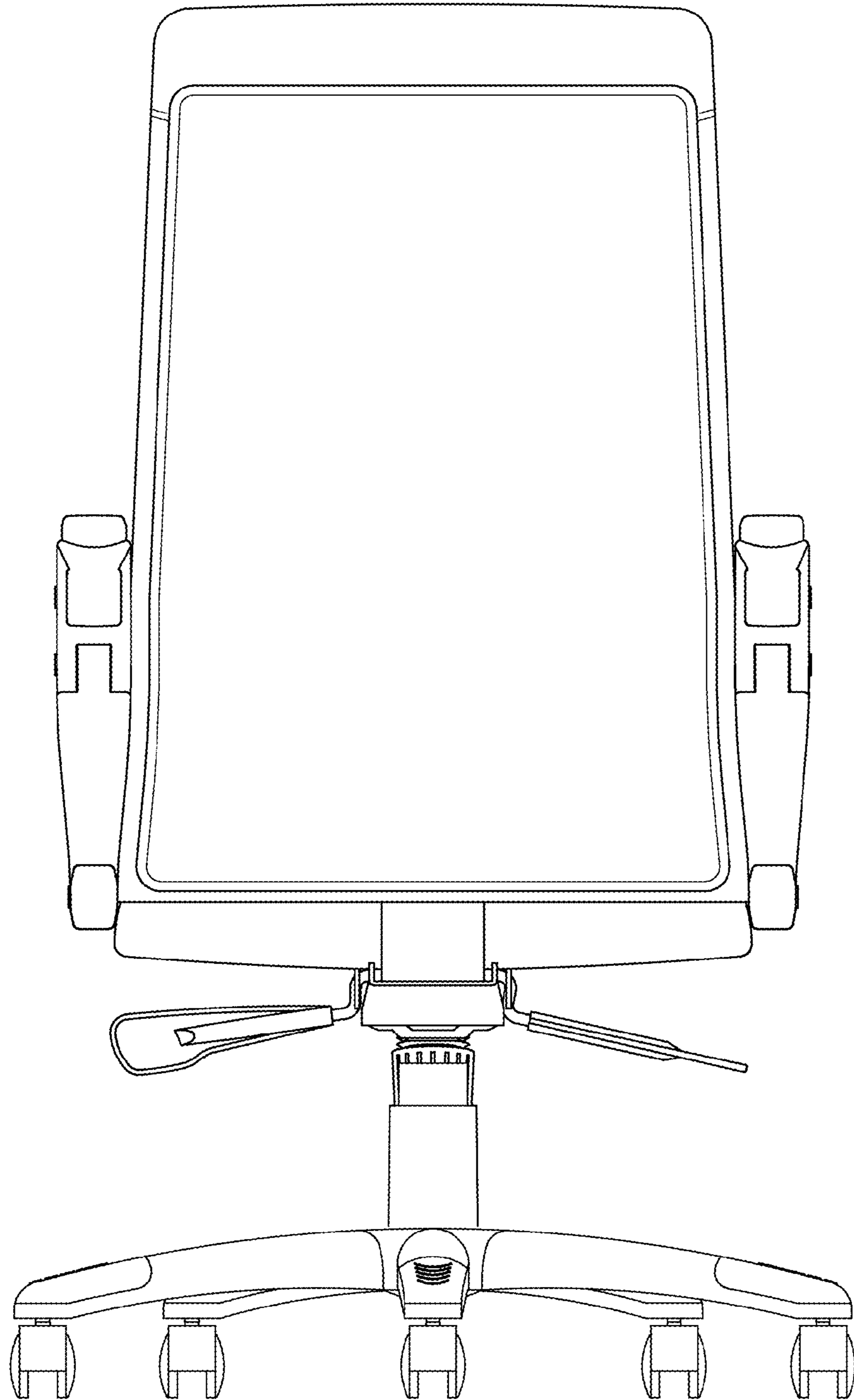


Figure 4

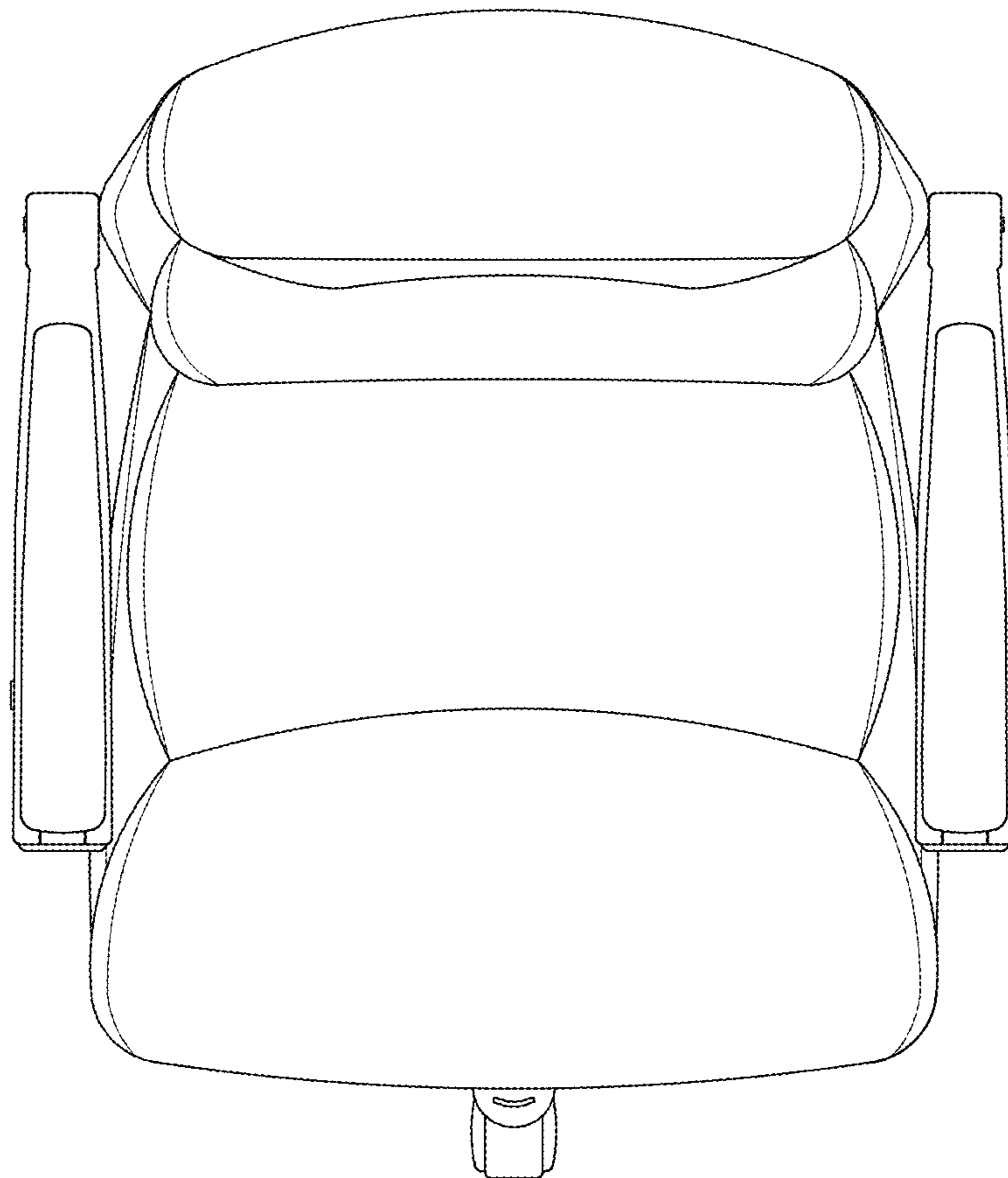


Figure 5