



US00D688886S

(12) **United States Design Patent**  
**Katagiri et al.**

(10) **Patent No.:** **US D688,886 S**

(45) **Date of Patent:** **\*\* Sep. 3, 2013**

(54) **SEAT COWL FOR MOTORCYCLE**

(71) Applicant: **Honda Motor Co., Ltd.**, Tokyo (JP)

(72) Inventors: **Kiyoshi Katagiri**, Wako (JP); **Masato Nagata**, Wako (JP)

(73) Assignee: **Honda Motor Co., Ltd.**, Tokyo (JP)

(\*\*) Term: **14 Years**

(21) Appl. No.: **29/434,090**

(22) Filed: **Oct. 9, 2012**

(51) **LOC (9) Cl.** ..... **12-11**

(52) **U.S. Cl.**  
USPC ..... **D6/354; D12/126**

(58) **Field of Classification Search**  
USPC ..... D6/354; D12/110, 126, 182, 186;  
296/192, 193.01, 63; 180/219, 220  
See application file for complete search history.

(56) **References Cited**

**U.S. PATENT DOCUMENTS**

D310,053 S \* 8/1990 Kishi et al. .... D12/110  
D496,533 S \* 9/2004 Everitt et al. .... D6/354  
7,520,359 B2 \* 4/2009 Iwanaga ..... 180/219

**OTHER PUBLICATIONS**

Seat Cowls on pp. 1-3 and 5 of 5. © 2011. [Retrieved on Apr. 8, 2013].  
Retrieved from the Internet <URL: [http://www.weiku.com/products/1853820/solo\\_seat\\_cowl\\_CR\\_60ORR\\_07\\_08Blue\\_AB...](http://www.weiku.com/products/1853820/solo_seat_cowl_CR_60ORR_07_08Blue_AB...)>.\*

\* cited by examiner

*Primary Examiner* — Susan M Lee

*Assistant Examiner* — Linda G Brooks

(74) *Attorney, Agent, or Firm* — Birch, Stewart, Kolasch & Birch, LLP

(57) **CLAIM**

The ornamental design for a seat cowl for motorcycle, as shown and described.

**DESCRIPTION**

FIG. 1 is a perspective view from the front side of a seat cowl for motorcycle.

FIG. 2 is a perspective view from the rear side thereof.

FIG. 3 is a perspective view from the front side thereof.

FIG. 4 is a perspective view from the rear side thereof.

FIG. 5 is a front elevation view thereof.

FIG. 6 is a rear elevation view thereof.

FIG. 7 is a top plan view thereof.

FIG. 8 is a bottom plan thereof.

FIG. 9 is a right side elevation view thereof.

FIG. 10 is a left side elevation view thereof; and,

FIG. 11 is a view showing the seat cowl for motorcycle in position of use.

The portions of the seat cowl for a motorcycle and portions of a motorcycle shown in broken lines are for the purpose of showing environmental structure only and form no part of the claimed design.

**1 Claim, 11 Drawing Sheets**

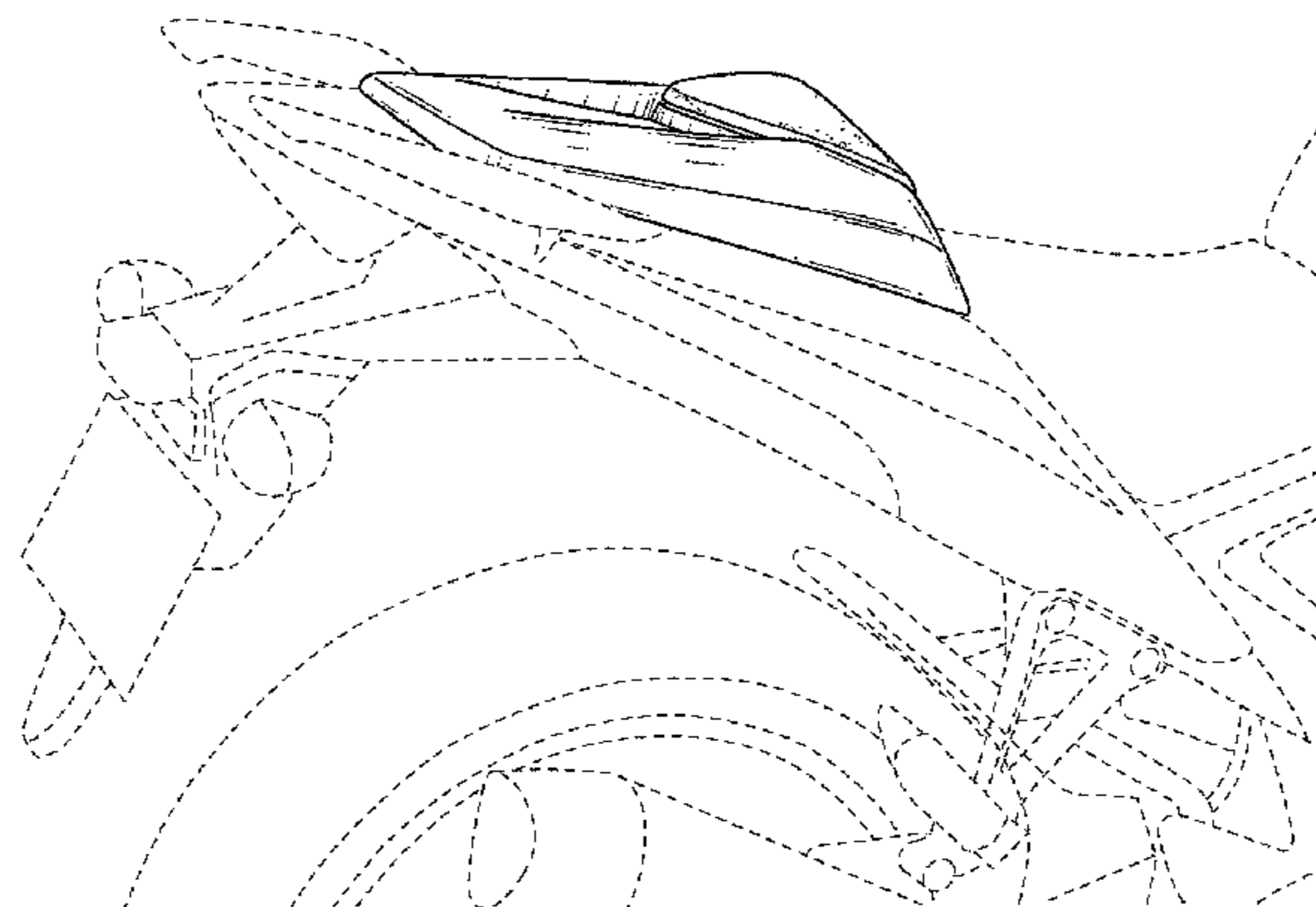
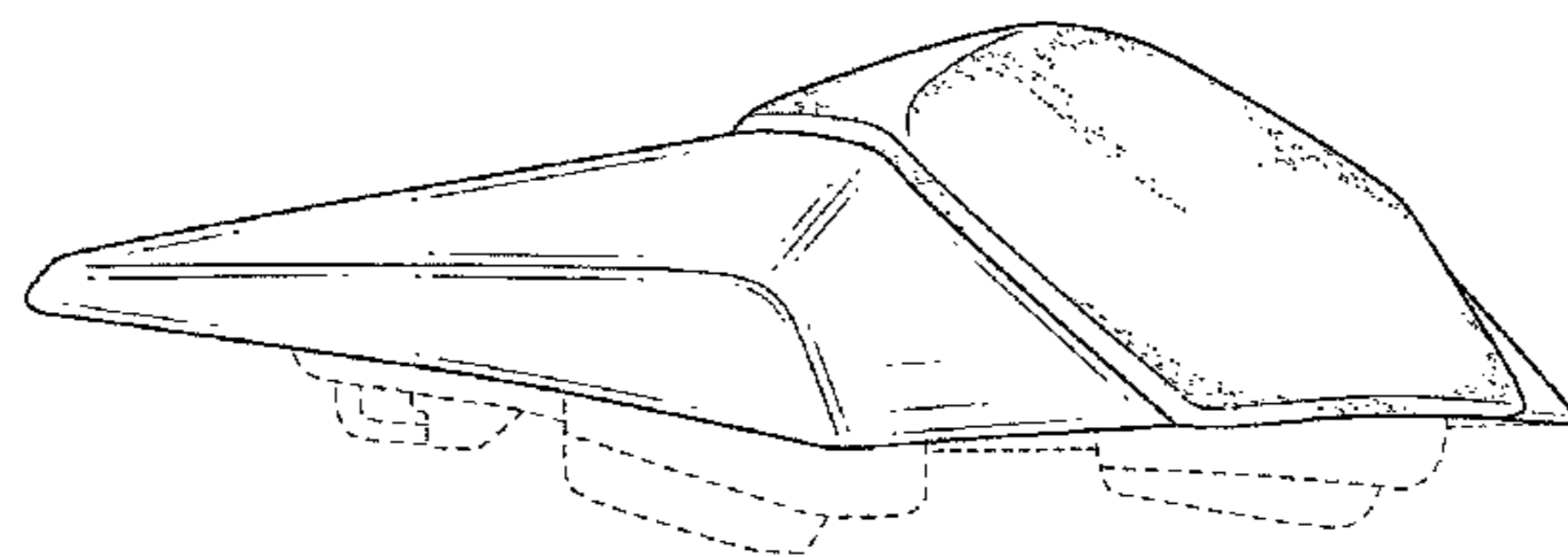


FIG. 1

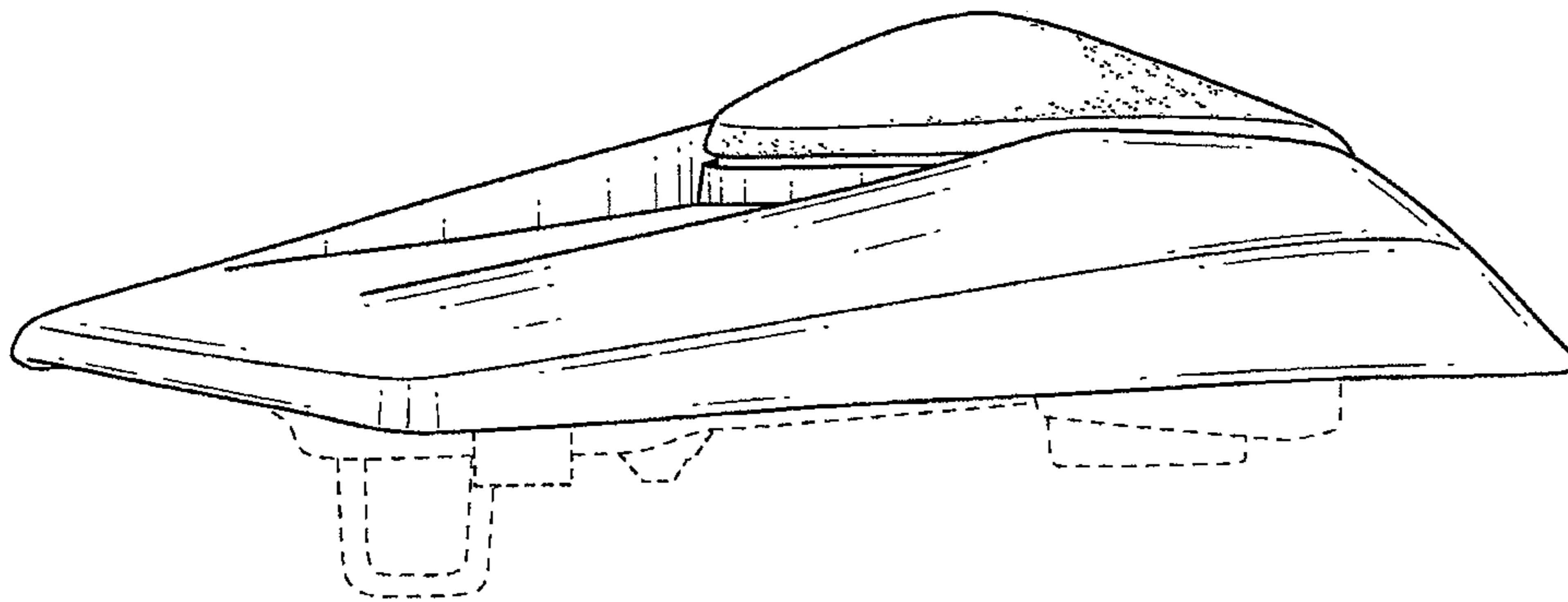


FIG. 2

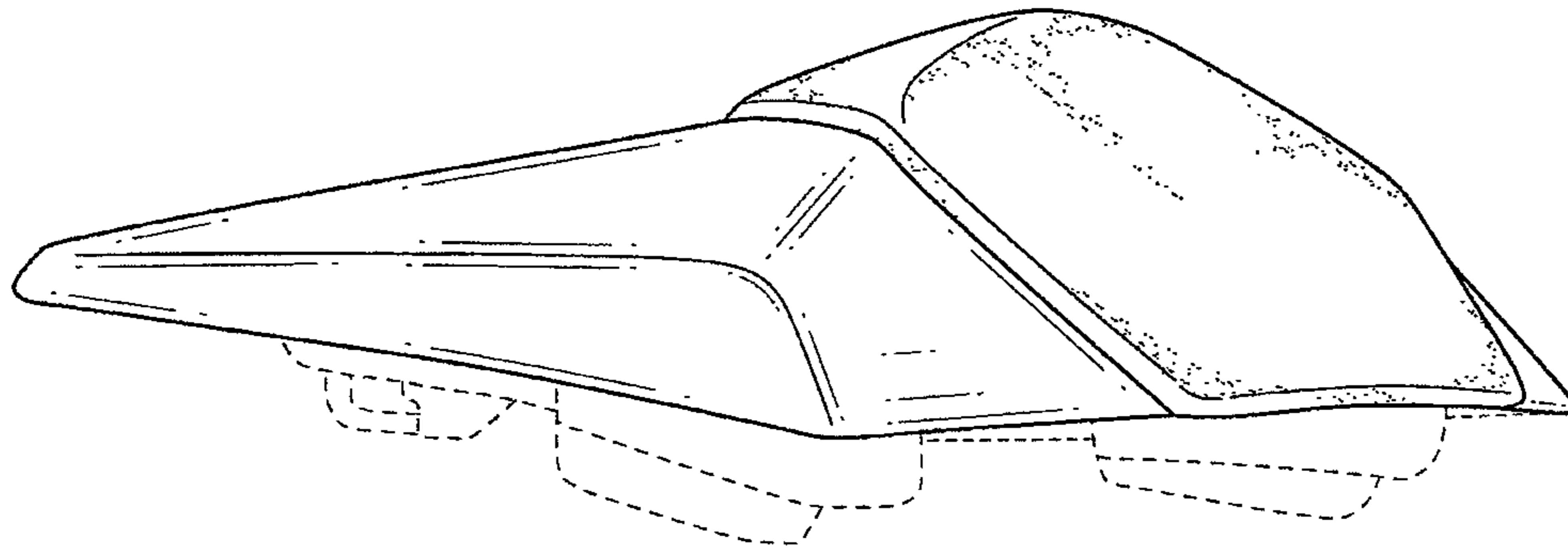


FIG. 3

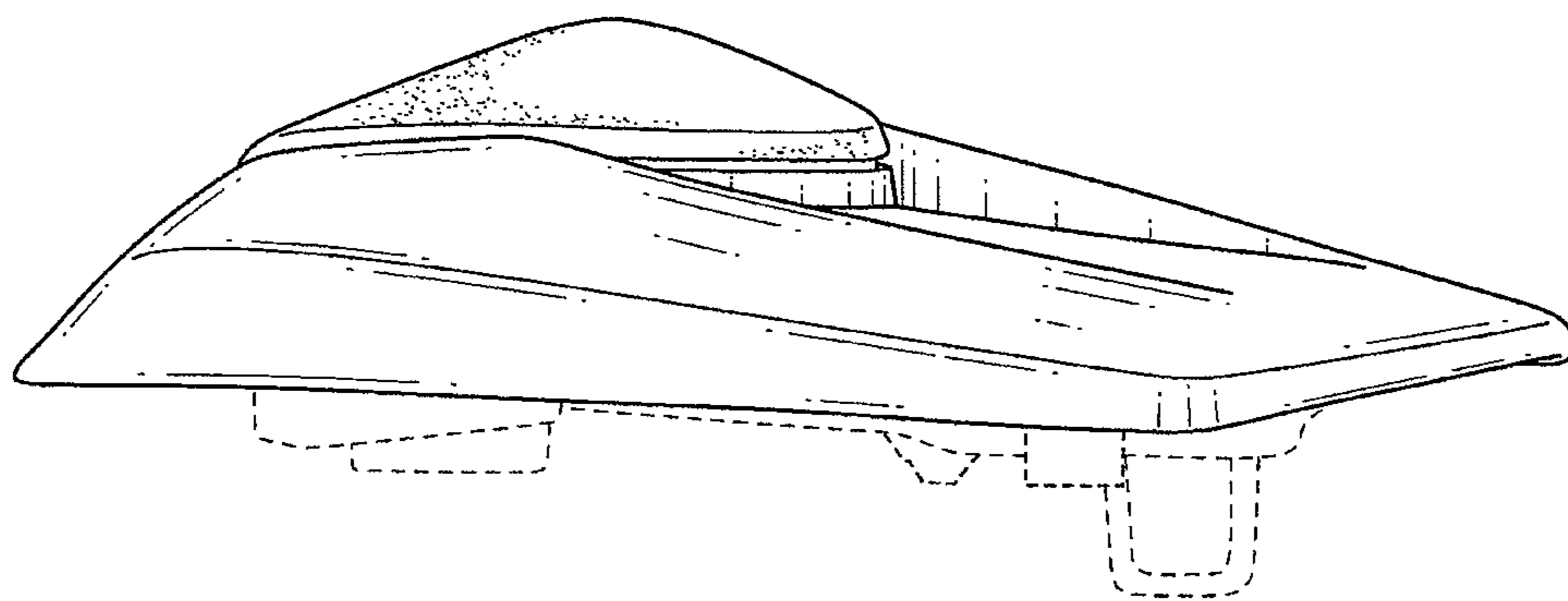


FIG. 4

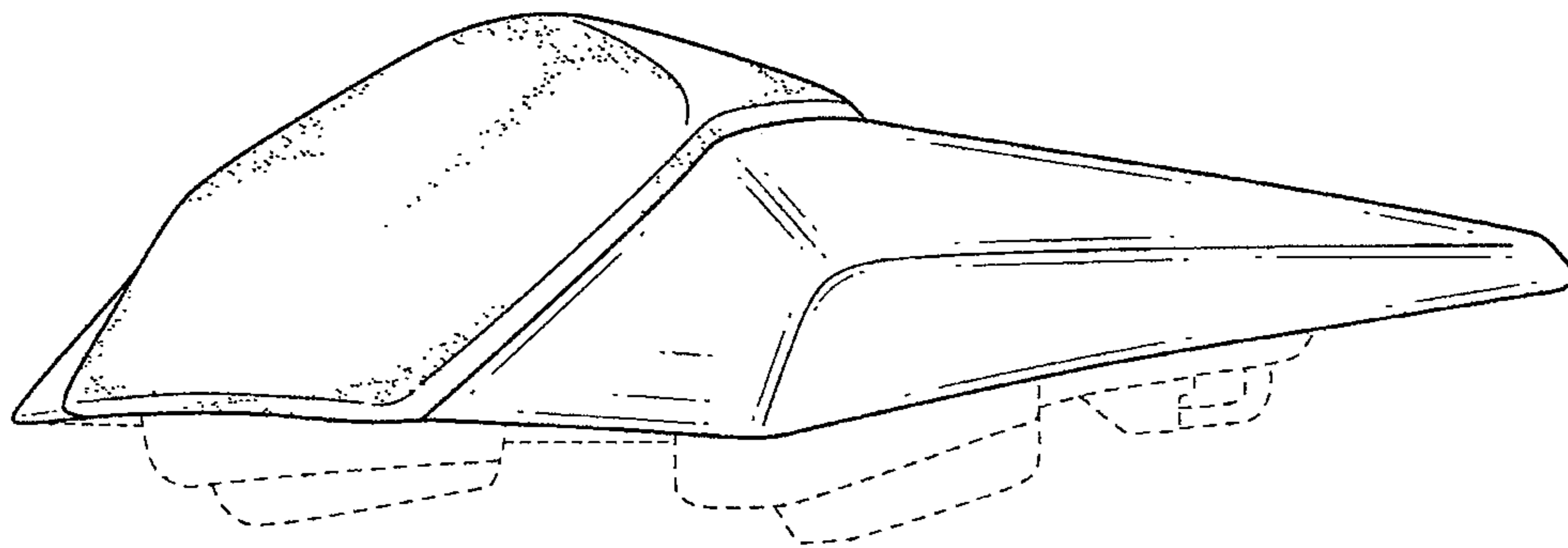


FIG. 5

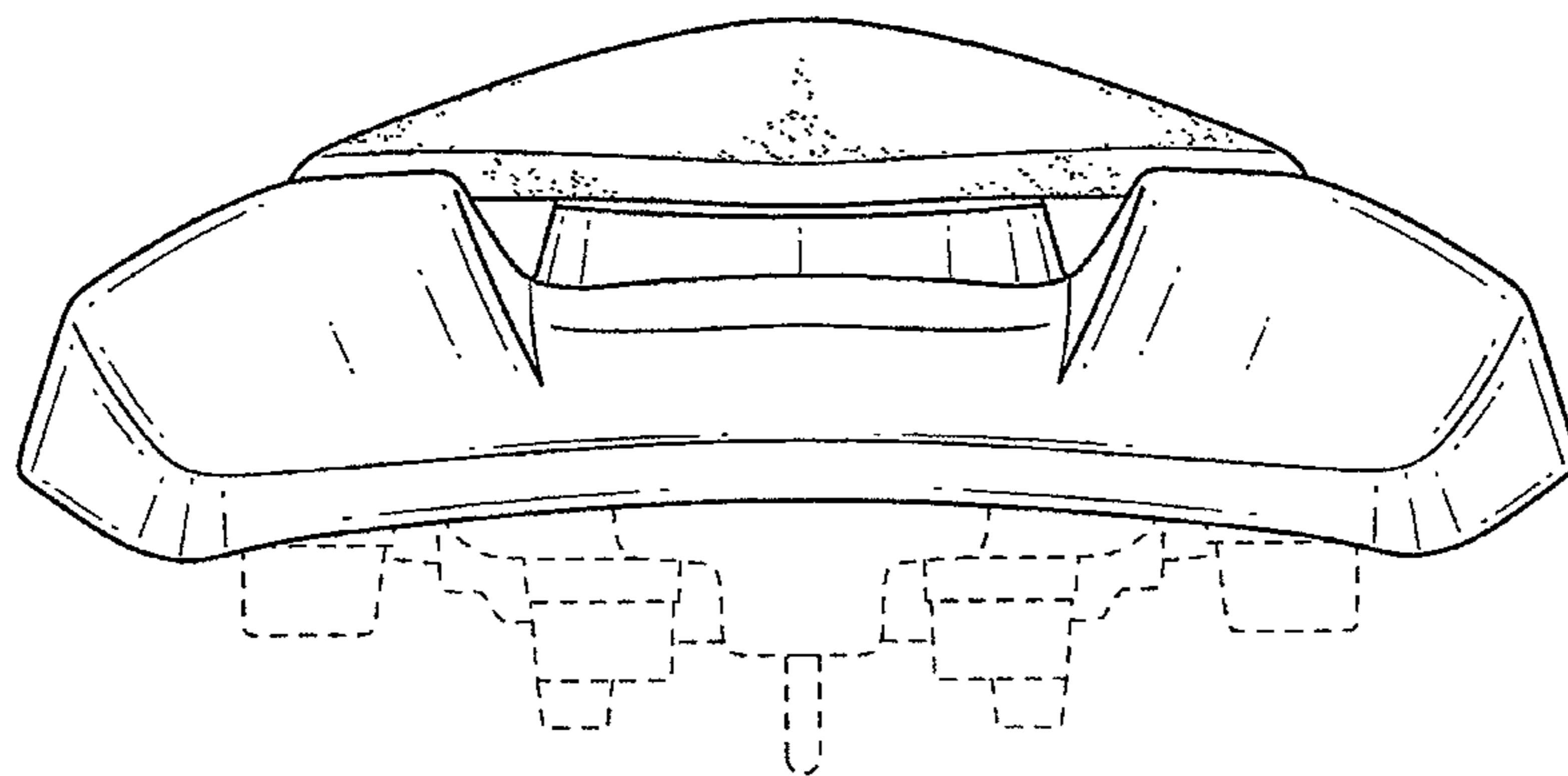


FIG. 6

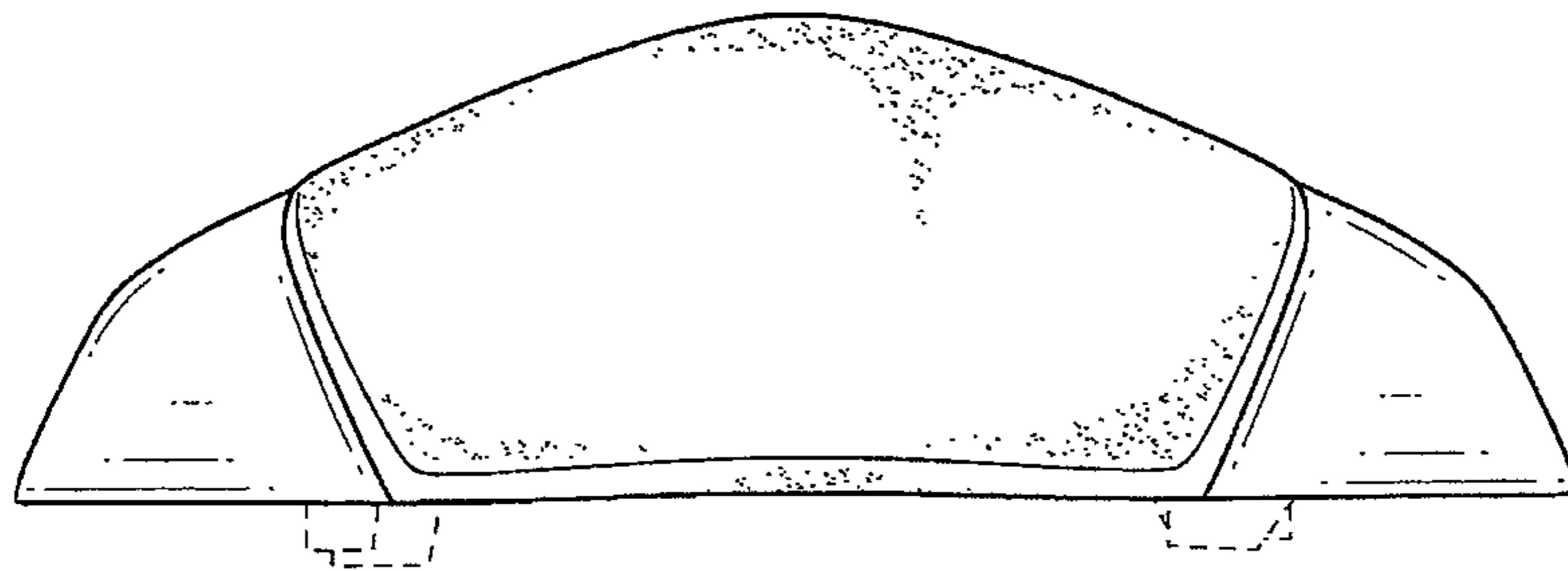


FIG. 7

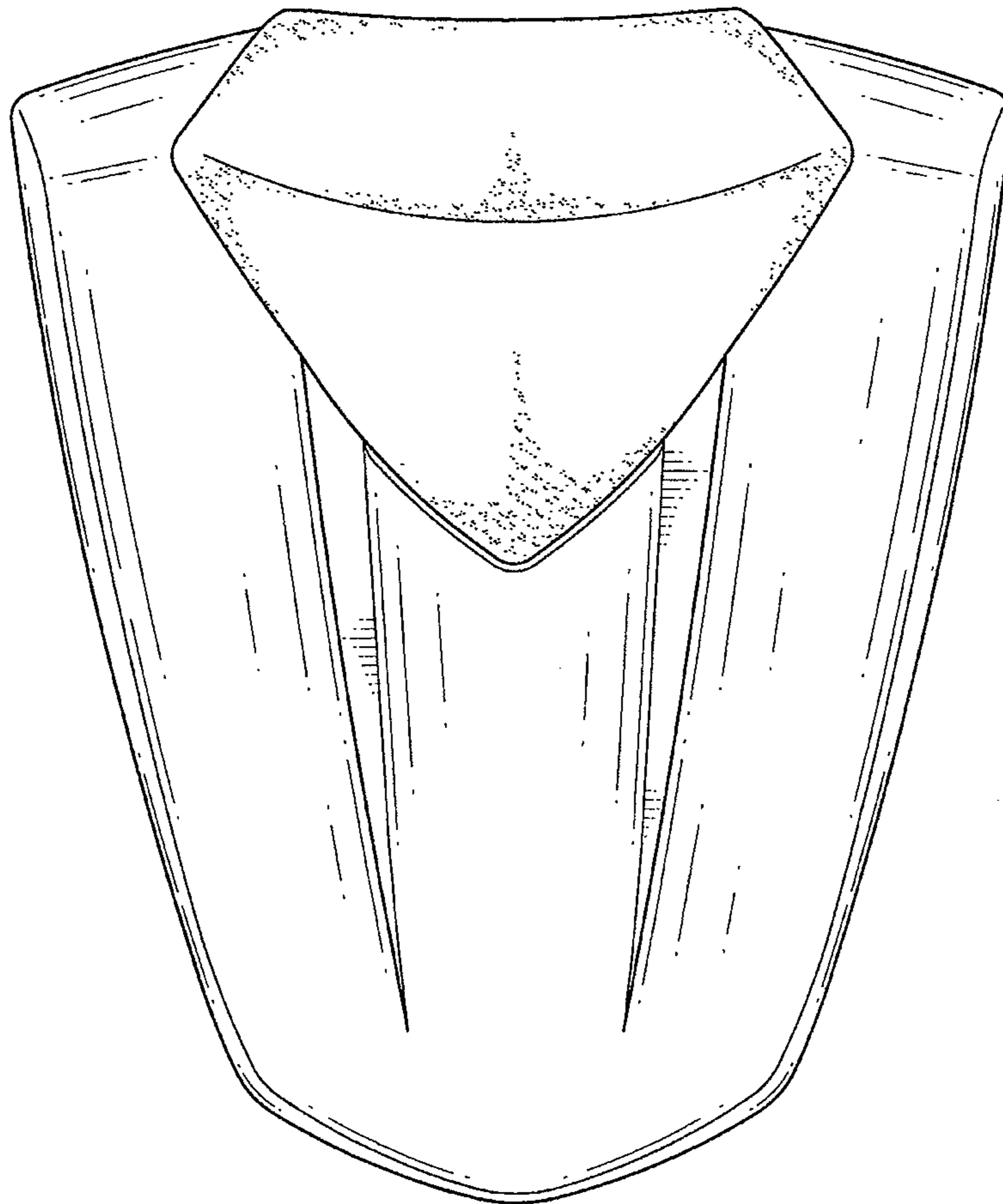




FIG. 8

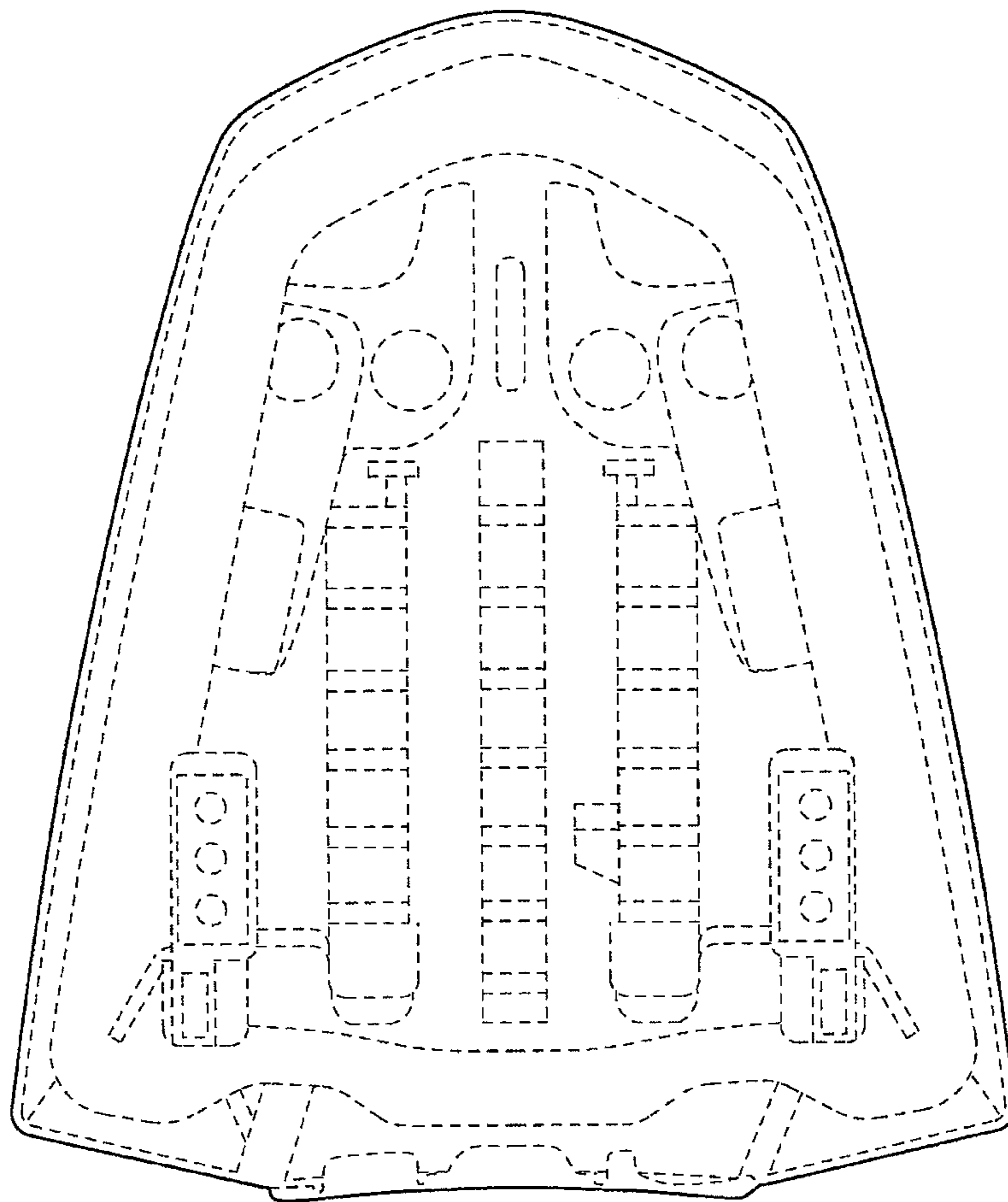


FIG. 9

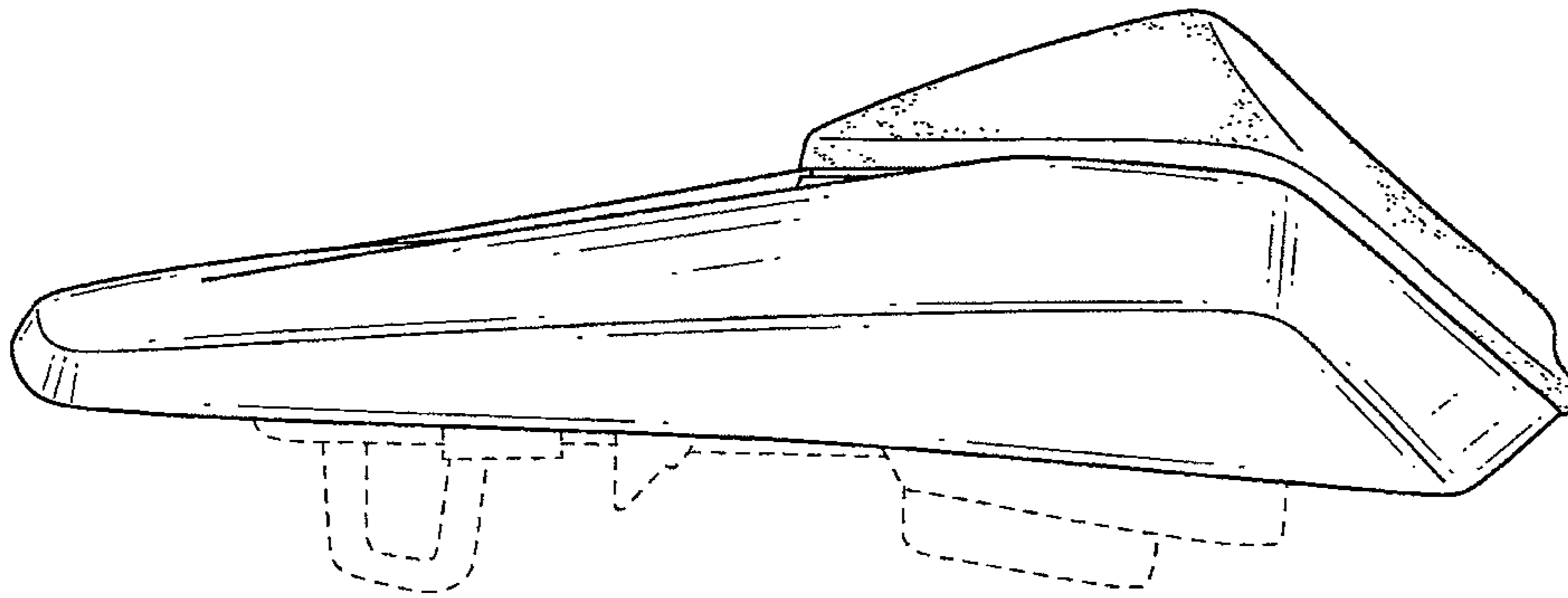


FIG. 10

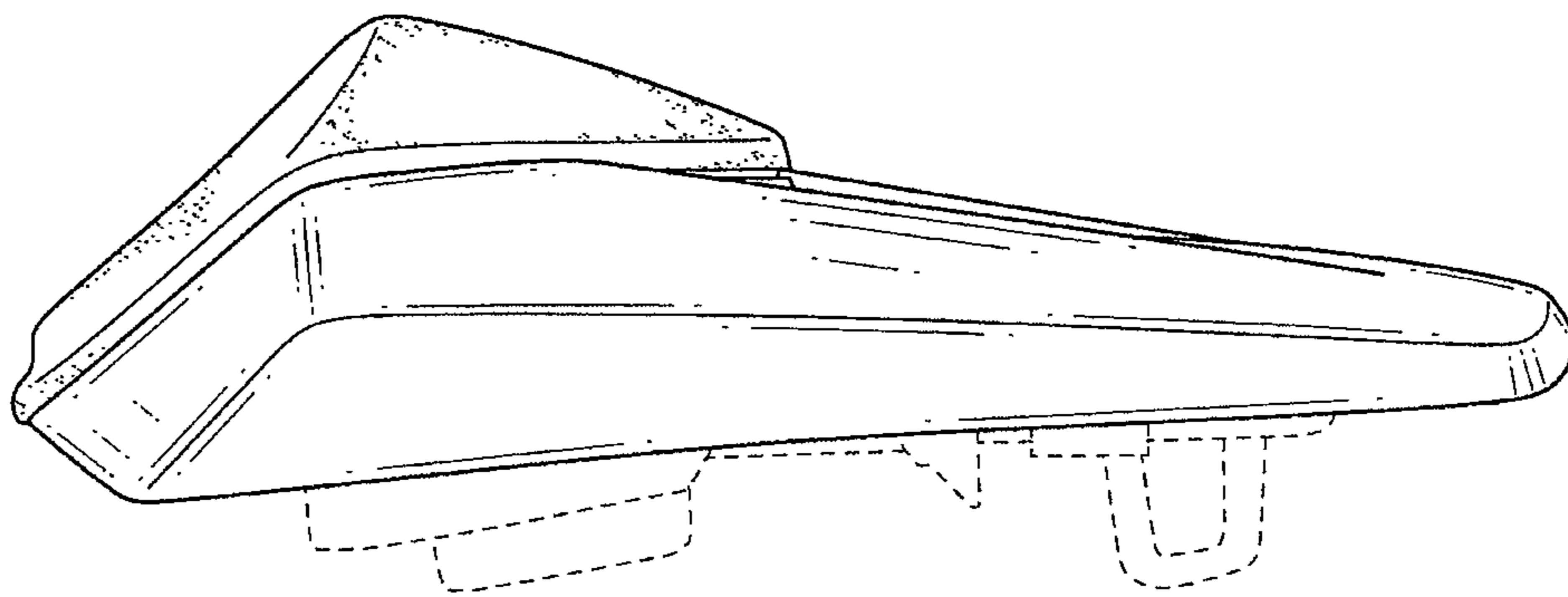


FIG. 11

