



US00D688885S

(12) **United States Design Patent**
Adams et al.

(10) **Patent No.:** **US D688,885 S**
(45) **Date of Patent:** **** Sep. 3, 2013**

(54) **STACKABLE BAR STOOL**

D555,942 S 11/2007 Adams
8,028,490 B2 * 10/2011 Kelly et al. 52/687
D679,106 S * 4/2013 Adams et al. D6/360

(71) Applicant: **Adams Mfg. Corp.**, Portersville, PA
(US)

(72) Inventors: **William E. Adams**, Portersville, PA
(US); **Robert G. Schreiber**, Prospect,
PA (US)

(73) Assignee: **Adams Mfg. Corp.**, Portersville, PA
(US)

(**) Term: **14 Years**

(21) Appl. No.: **29/438,144**

(22) Filed: **Nov. 27, 2012**

(51) **LOC (9) Cl.** **06-01**

(52) **U.S. Cl.**
USPC **D6/349**

(58) **Field of Classification Search**
USPC D6/34-355, 360, 363-365, 367-373,
D6/656, 716.1-716.6, 717, 717.29; 297/461,
297/462, 115, 116, 135, 160-162
See application file for complete search history.

(56) **References Cited**

U.S. PATENT DOCUMENTS

D78,562 S * 5/1929 Costello D6/352
D419,331 S * 1/2000 Dembicks D6/429
D464,817 S * 10/2002 Lopez D6/349
D555,401 S 11/2007 Adams

OTHER PUBLICATIONS

RealComfort® Barstool. [online] Retrieved Apr. 18, 2013 from URL:
<www.adamsmfg.com/residential-furniture/bar-stools/realcomfort-
barstool/>.*

* cited by examiner

Primary Examiner — Susan Bennett Hattan

Assistant Examiner — Vy Koenig

(74) *Attorney, Agent, or Firm* — Buchanan Ingersoll &
Rooney PC

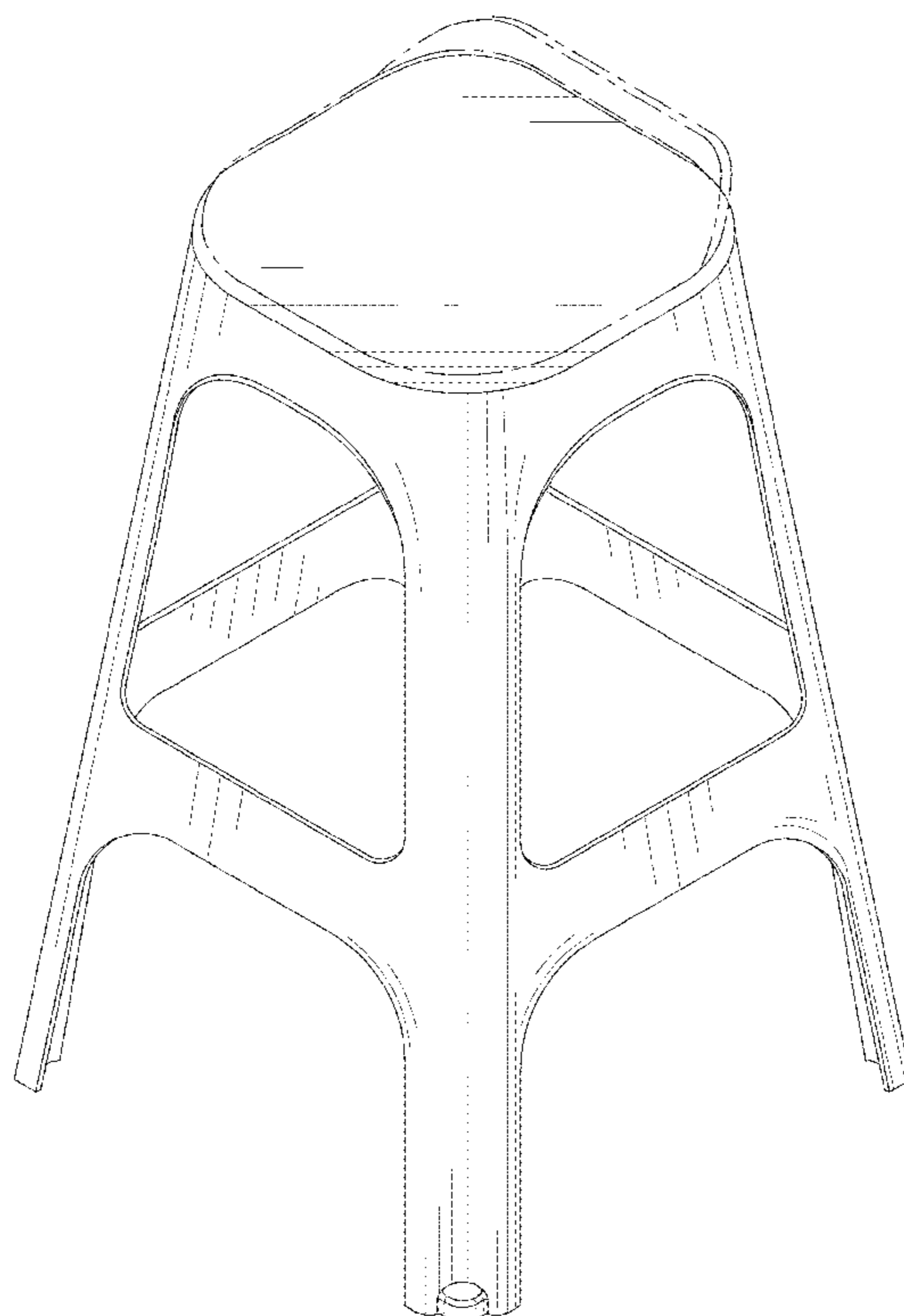
(57) **CLAIM**

The ornamental design for a stackable bar stool, as shown and
described.

DESCRIPTION

FIG. 1 is a perspective view of our stackable bar stool;
FIG. 2 is a front view thereof;
FIG. 3 is a left side view, the right side view being a mirror
image thereof;
FIG. 4 is a top view thereof; and,
FIG. 5 is a bottom view thereof.
An optional raised back and raised sides are shown in broken
line in FIGS. 1 through 4 and form no part of the claimed
design.

1 Claim, 4 Drawing Sheets



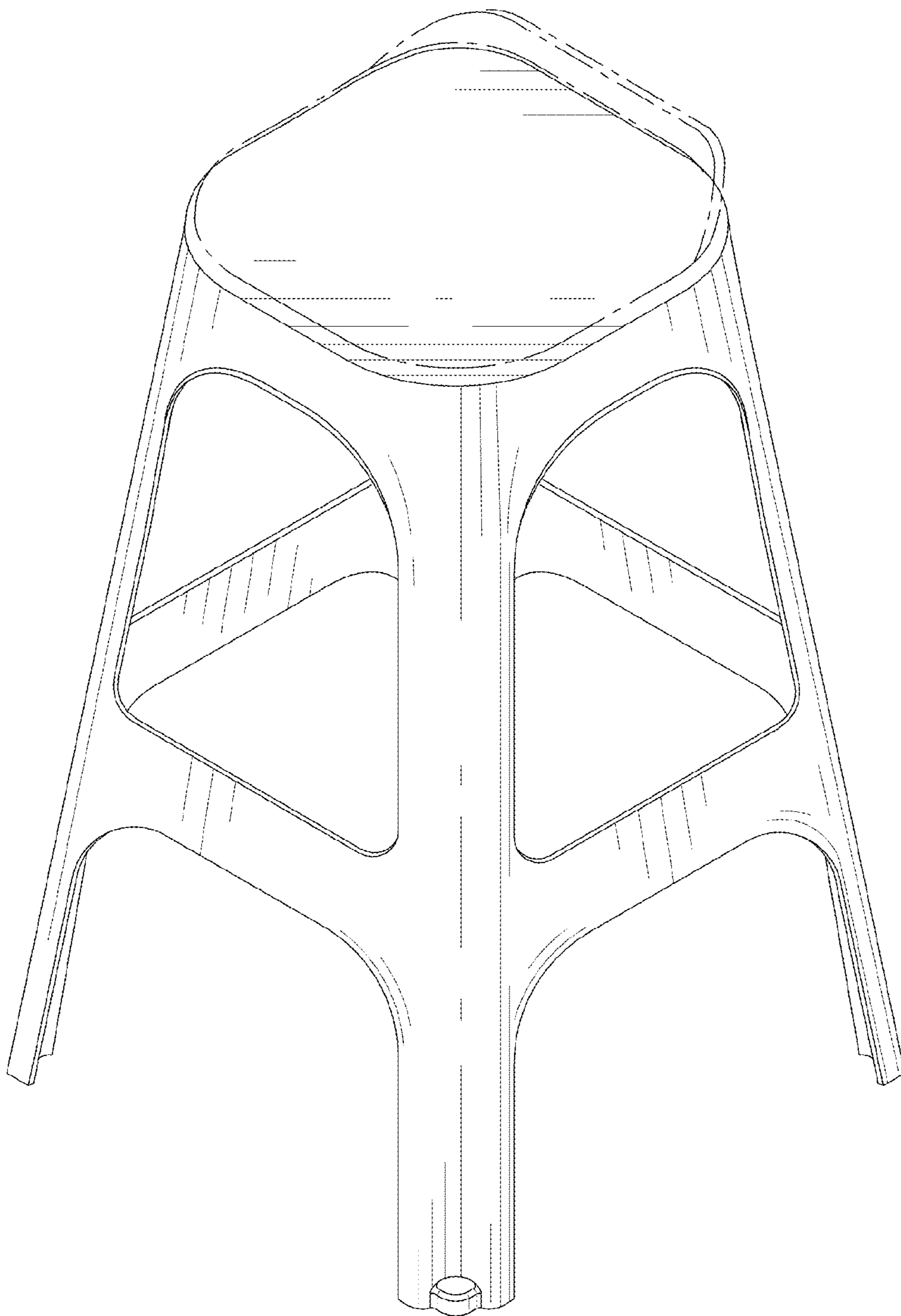


FIG. 1

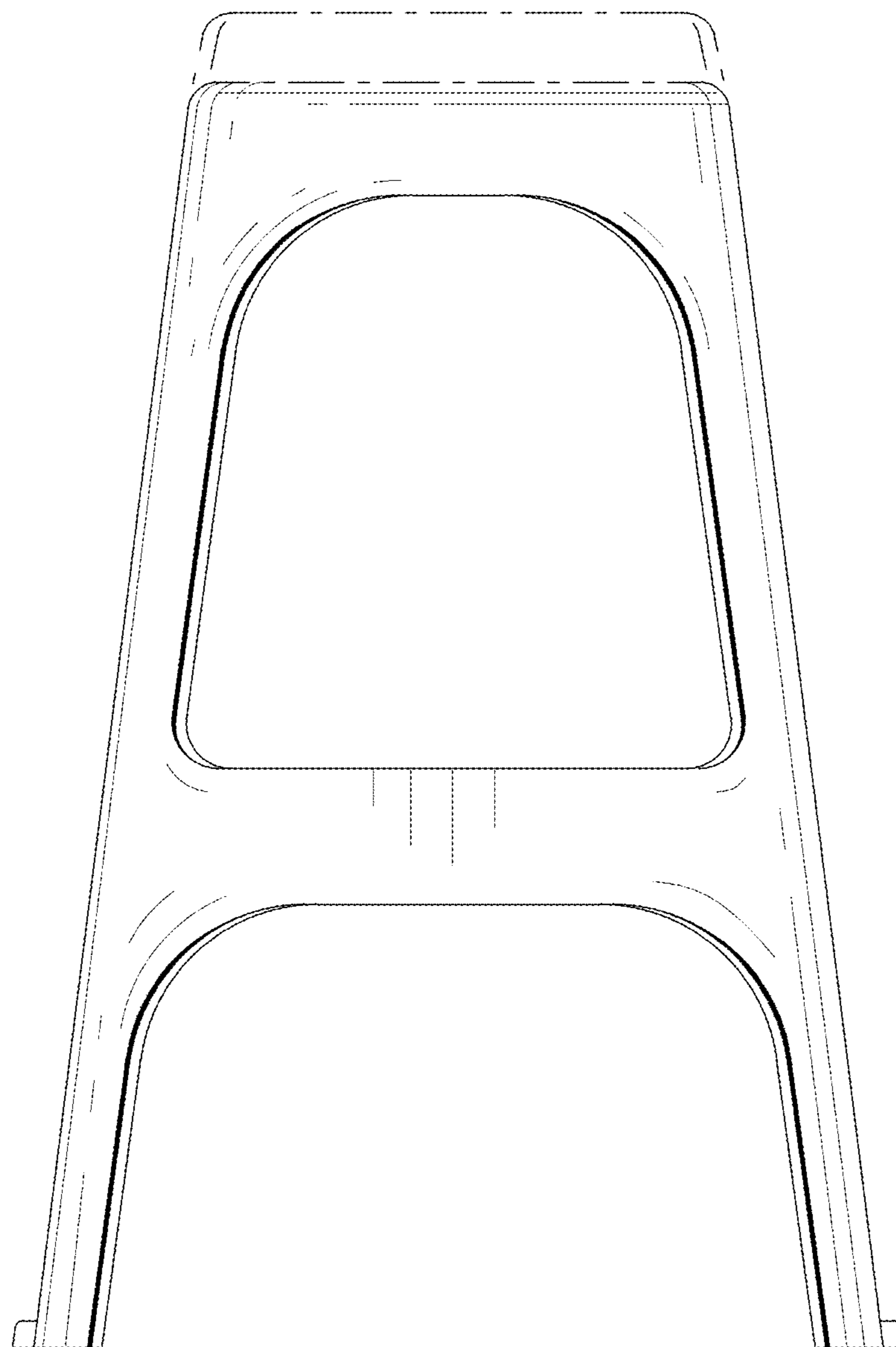


FIG. 2

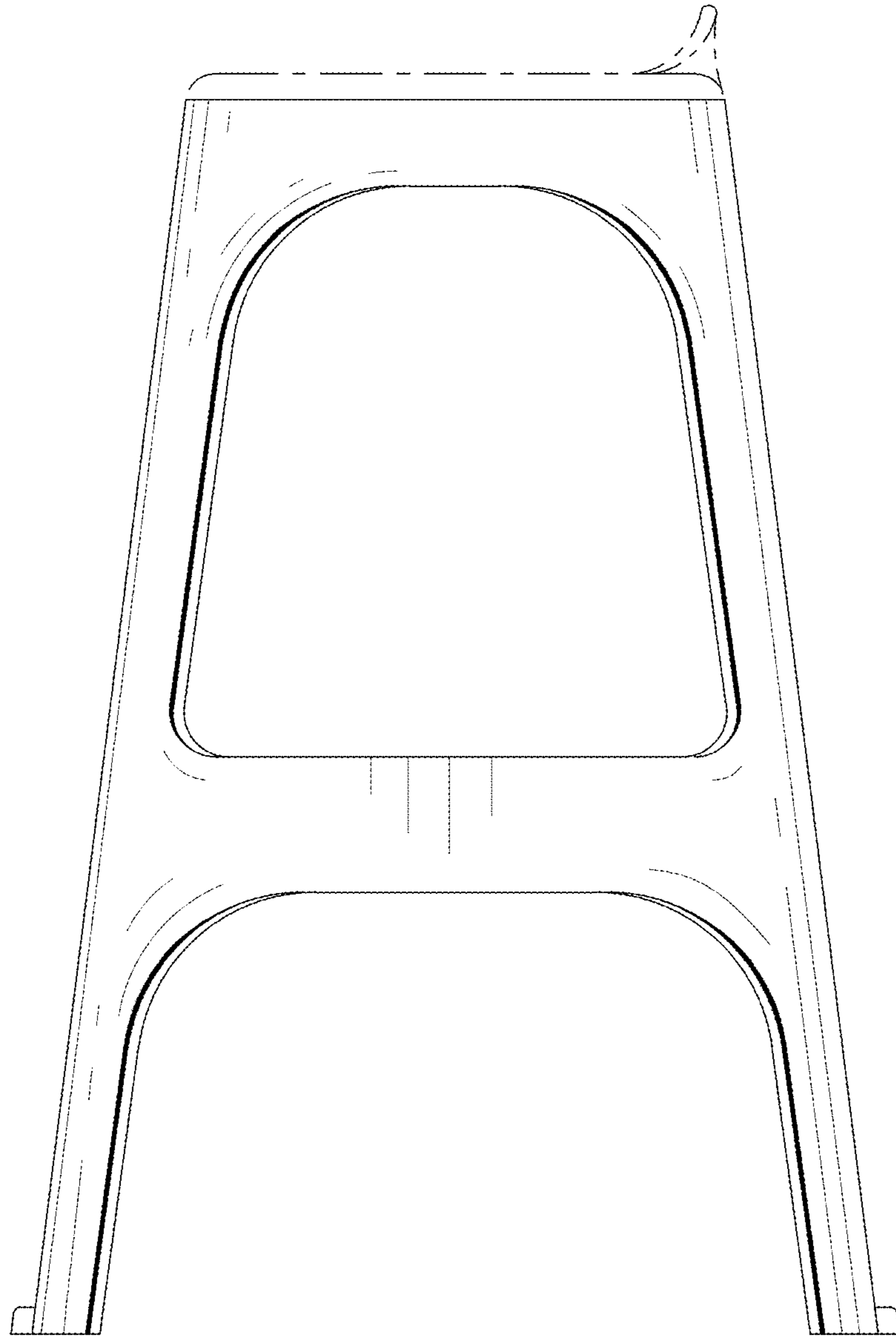


FIG. 3

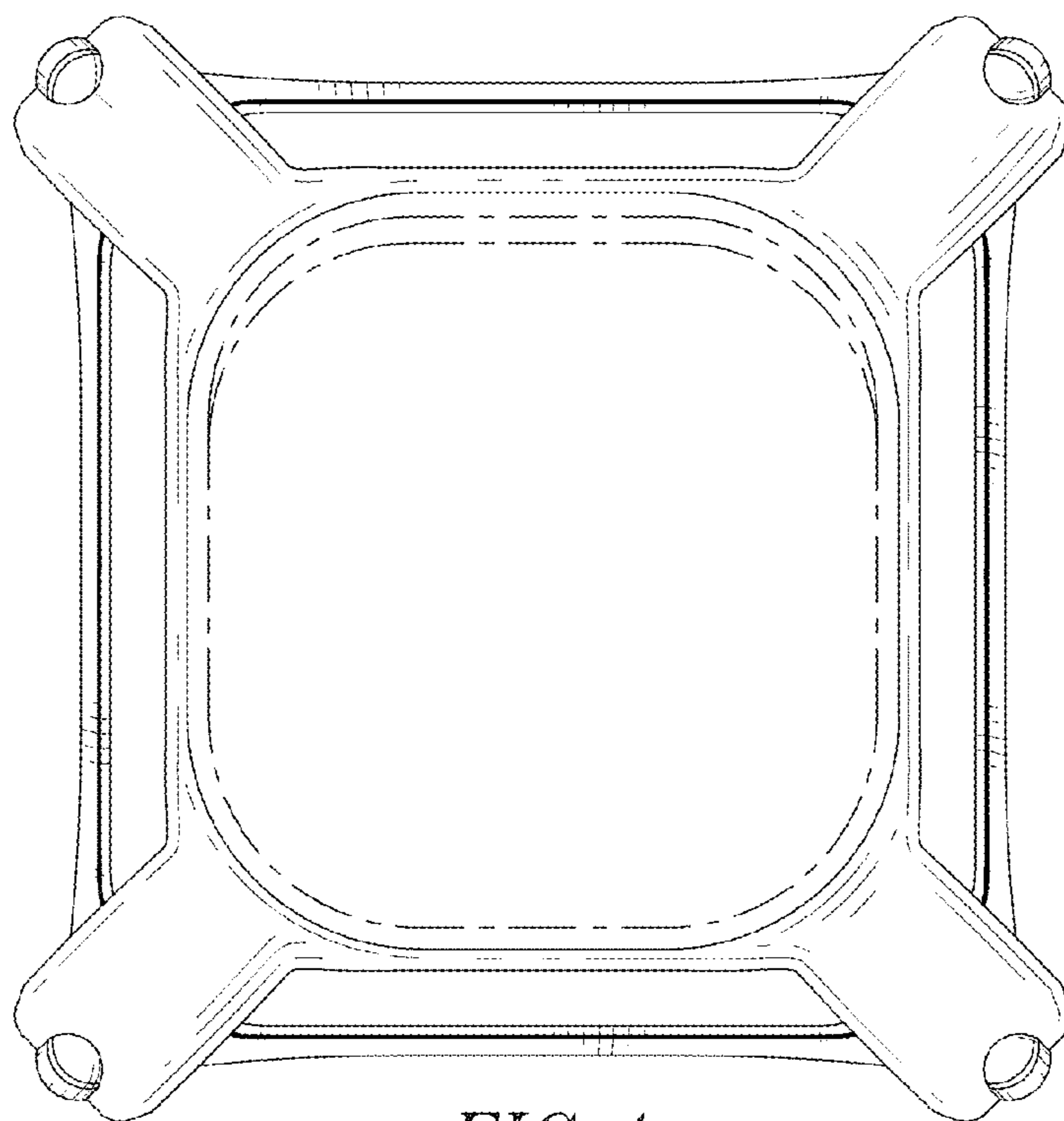


FIG. 4

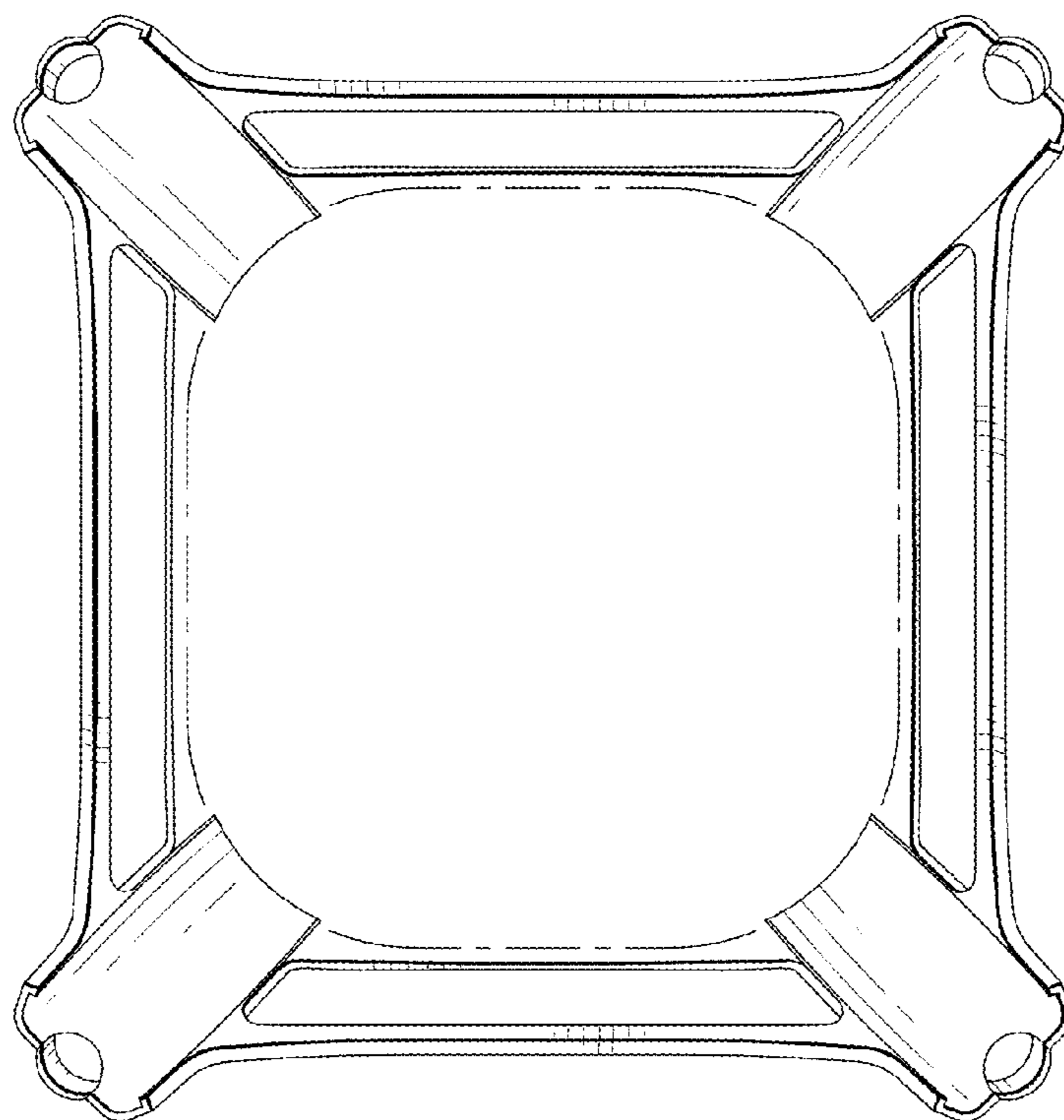


FIG. 5