



US00D688877S

(12) **United States Design Patent**
Li

(10) **Patent No.:** **US D688,877 S**

(45) **Date of Patent:** **** Sep. 3, 2013**

(54) **SOAP DISPENSING PALM DISH BRUSH**

(75) Inventor: **Quan Li**, Queens, NY (US)

(73) Assignee: **Casabella Holdings, LLC**, Congers, NY (US)

(**) Term: **14 Years**

(21) Appl. No.: **29/389,223**

(22) Filed: **Apr. 7, 2011**

(51) **LOC (9) Cl.** **04-01**

(52) **U.S. Cl.**
USPC **D4/114; D4/121; D4/137; D32/45**

(58) **Field of Classification Search**
USPC D4/114, 132, 134, 136, 121, 137;
D32/45, 52; 15/159.1, 160, 188, 208, 209.1,
15/210.1, 244.1; 401/196, 205-207, 137,
401/139, 186, 188 R, 261, 263, 266, 270,
401/273, 276, 278, 279, 282, 290, 291
See application file for complete search history.

(56) **References Cited**

U.S. PATENT DOCUMENTS

- 3,085,372 A * 4/1963 Sweeney et al. 401/196
- D326,778 S * 6/1992 Vetter D4/114
- D380,950 S * 7/1997 Gildersleeve et al. D8/62
- D417,324 S * 11/1999 Farls D32/40
- D438,013 S * 2/2001 Hay D4/114
- D439,052 S * 3/2001 Hay D4/114
- D439,053 S * 3/2001 Hay D4/114

- D477,917 S * 8/2003 Giacolo et al. D4/114
- D524,546 S * 7/2006 Ajluni et al. D4/114
- D631,663 S * 2/2011 Krus et al. D4/127
- D634,086 S * 3/2011 Dunshee et al. D32/40

FOREIGN PATENT DOCUMENTS

JP D1219715 S * 10/2004

* cited by examiner

Primary Examiner — Melanie H Tung
Assistant Examiner — Lavone D Tabor

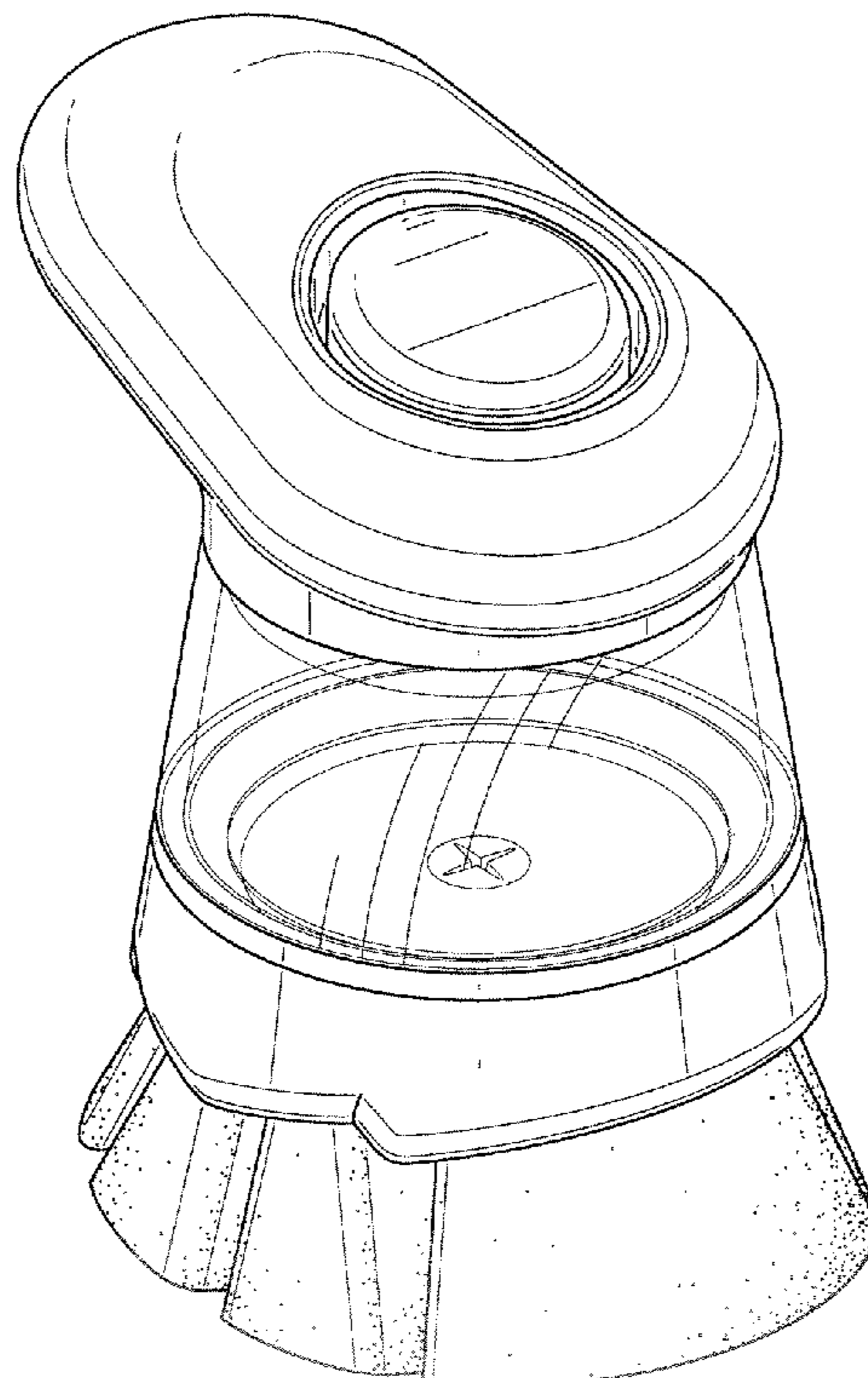
(74) *Attorney, Agent, or Firm* — Curtis, Mallet-Prevost, Colt & Mosle LLP

(57) **CLAIM**
The ornamental design for the soap dispensing palm dish brush, as shown and described.

DESCRIPTION

FIG. 1 is a descriptive view of the new ornamental soap dispensing palm dish brush of the present invention
FIG. 2 is a front view thereof.
FIG. 3 is a rear view thereof.
FIG. 4 is a left view thereof.
FIG. 5 is a right view thereof.
FIG. 6 is a top view thereof.
FIG. 7 is a bottom view thereof; and,
FIG. 8 is an exploded view thereof.
The broken lines represent the bounds of the claim and form no part thereof.

1 Claim, 8 Drawing Sheets



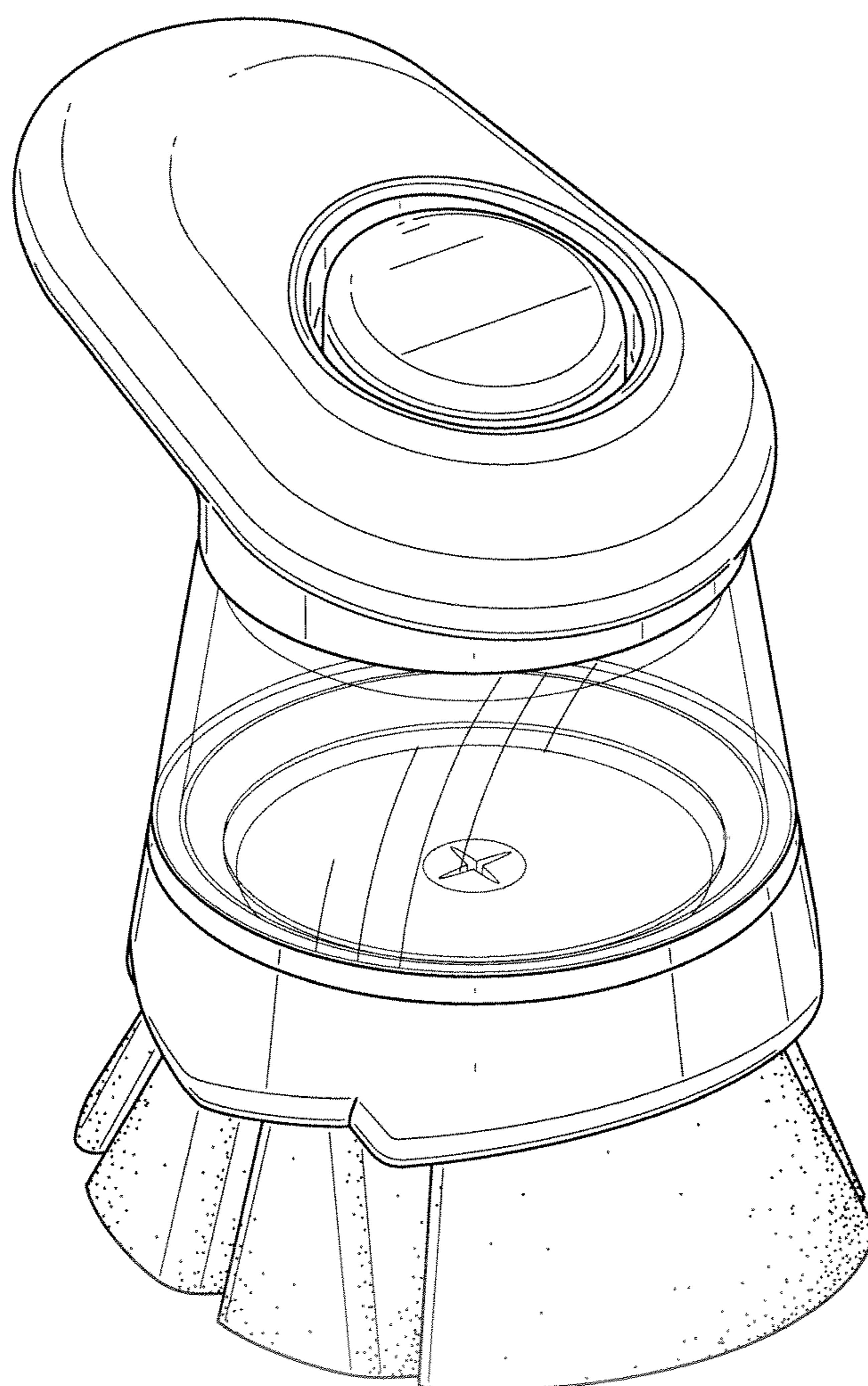


FIG. 1

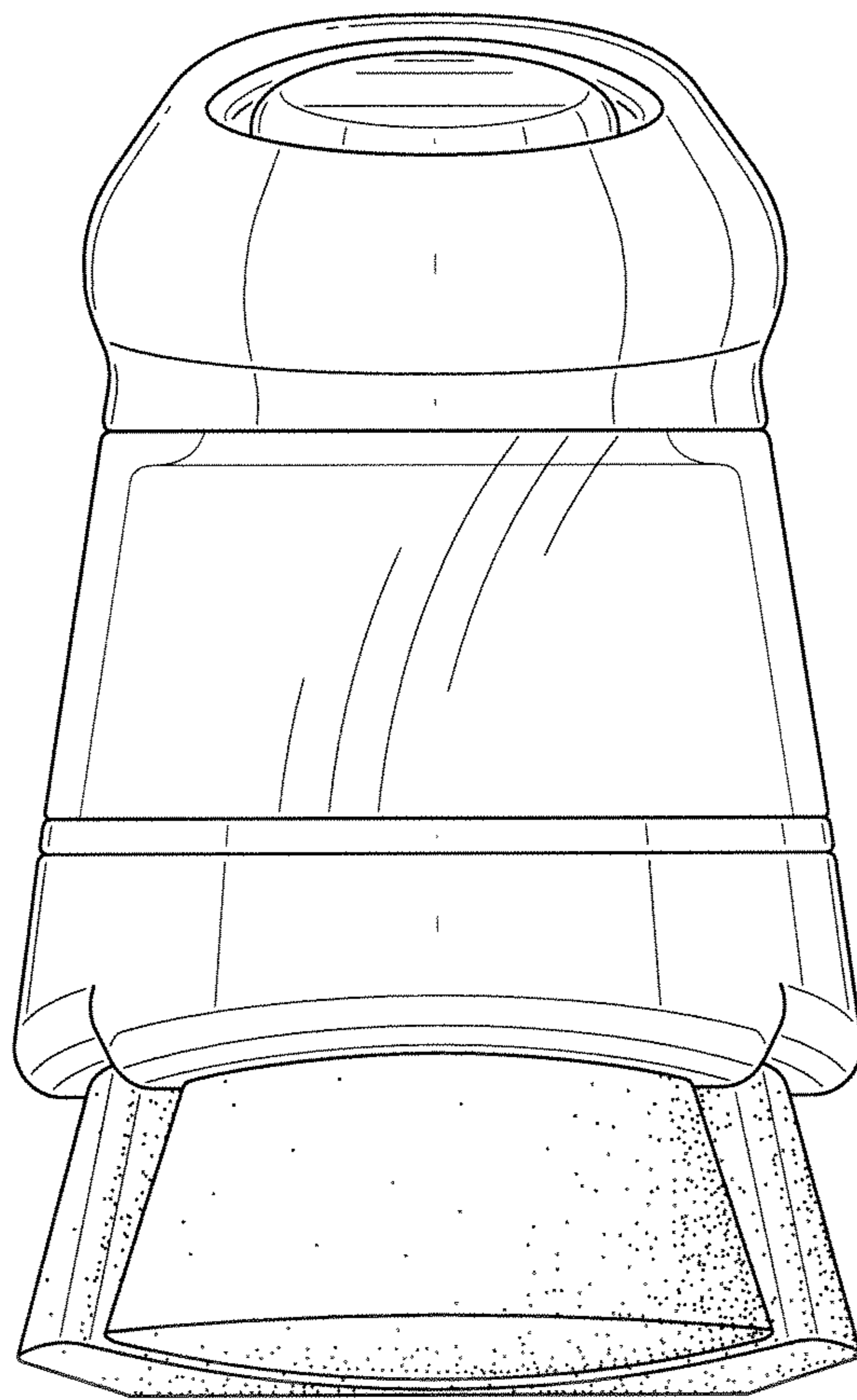


FIG. 2

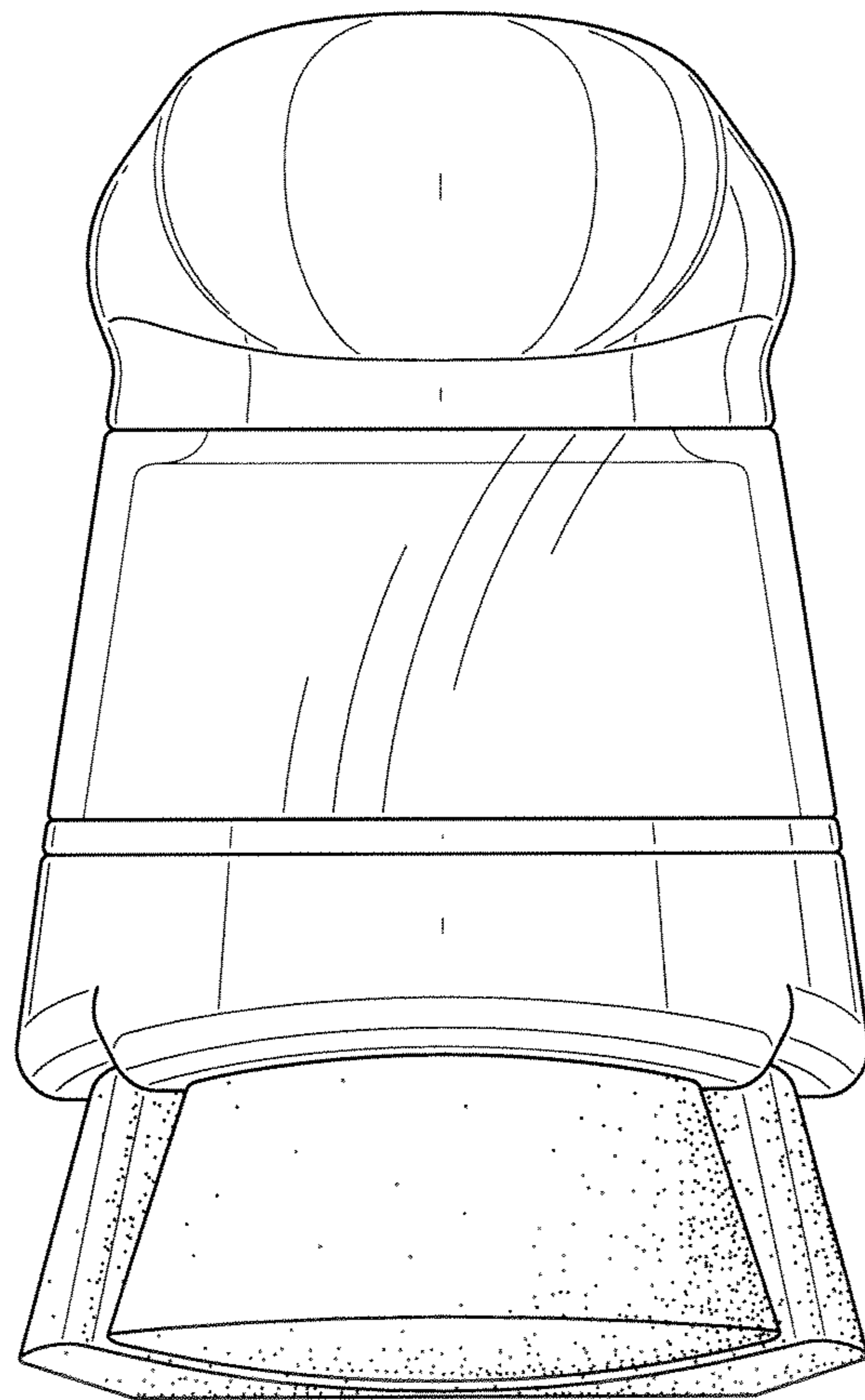


FIG. 3

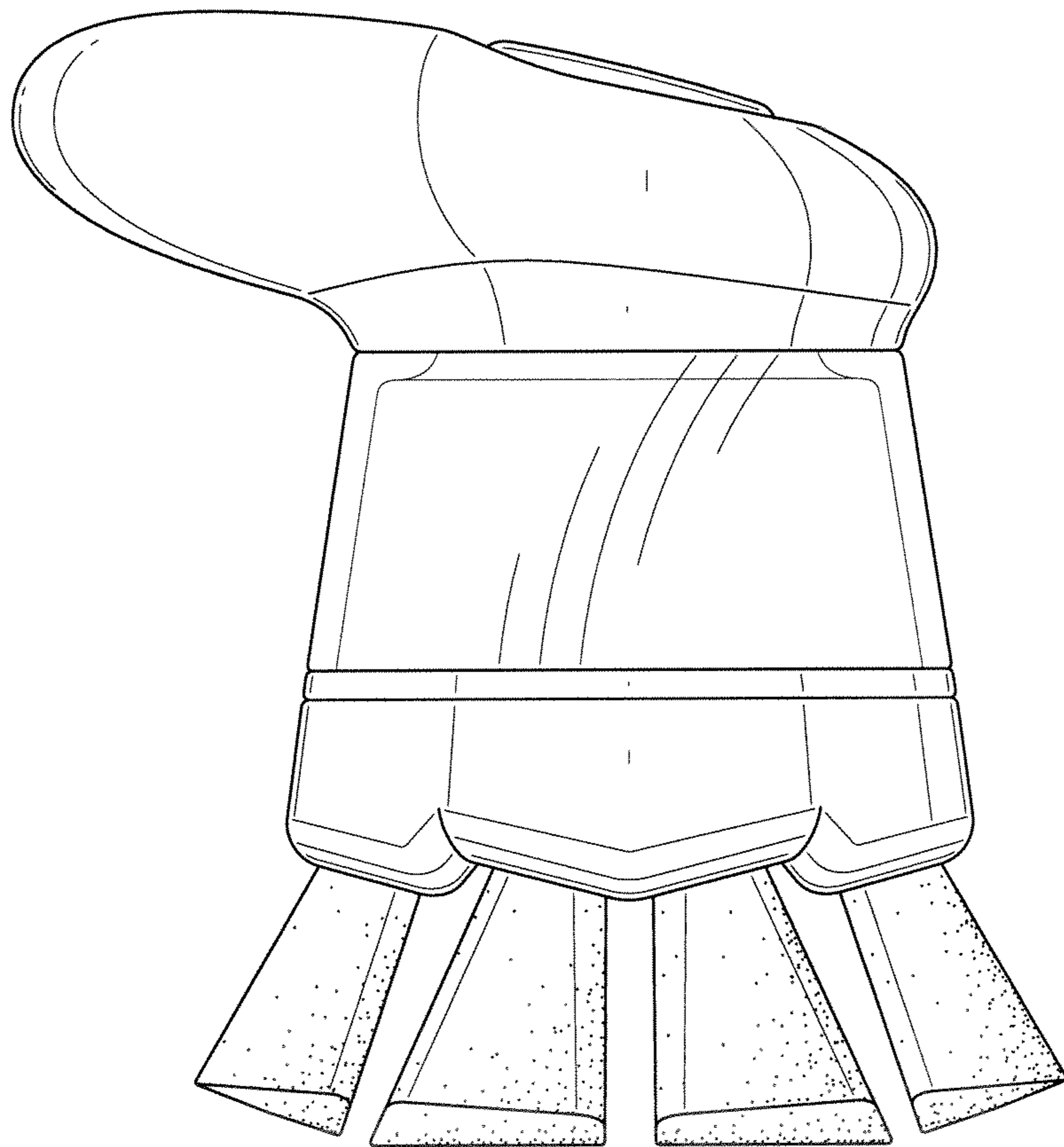


FIG. 4

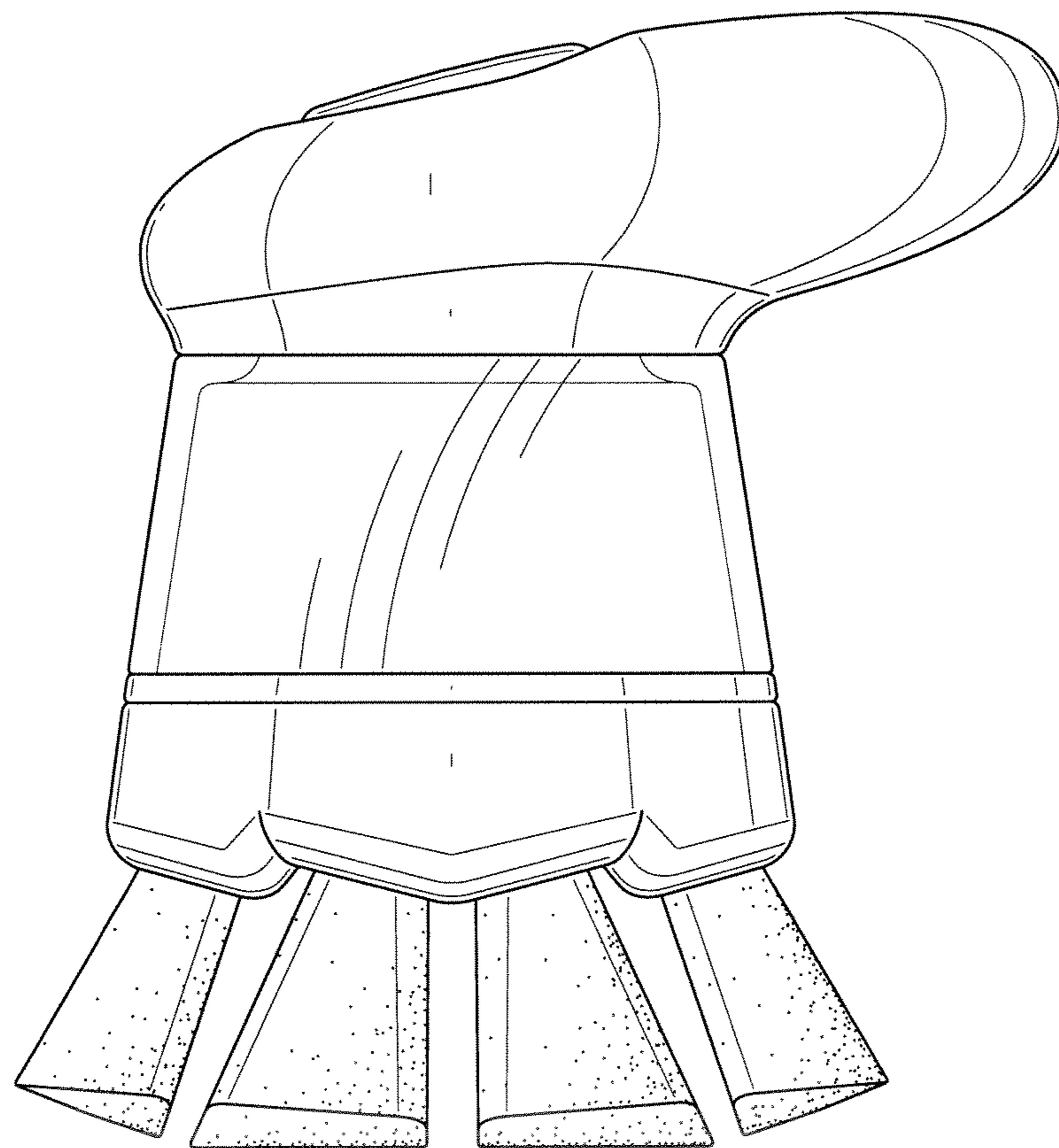


FIG. 5

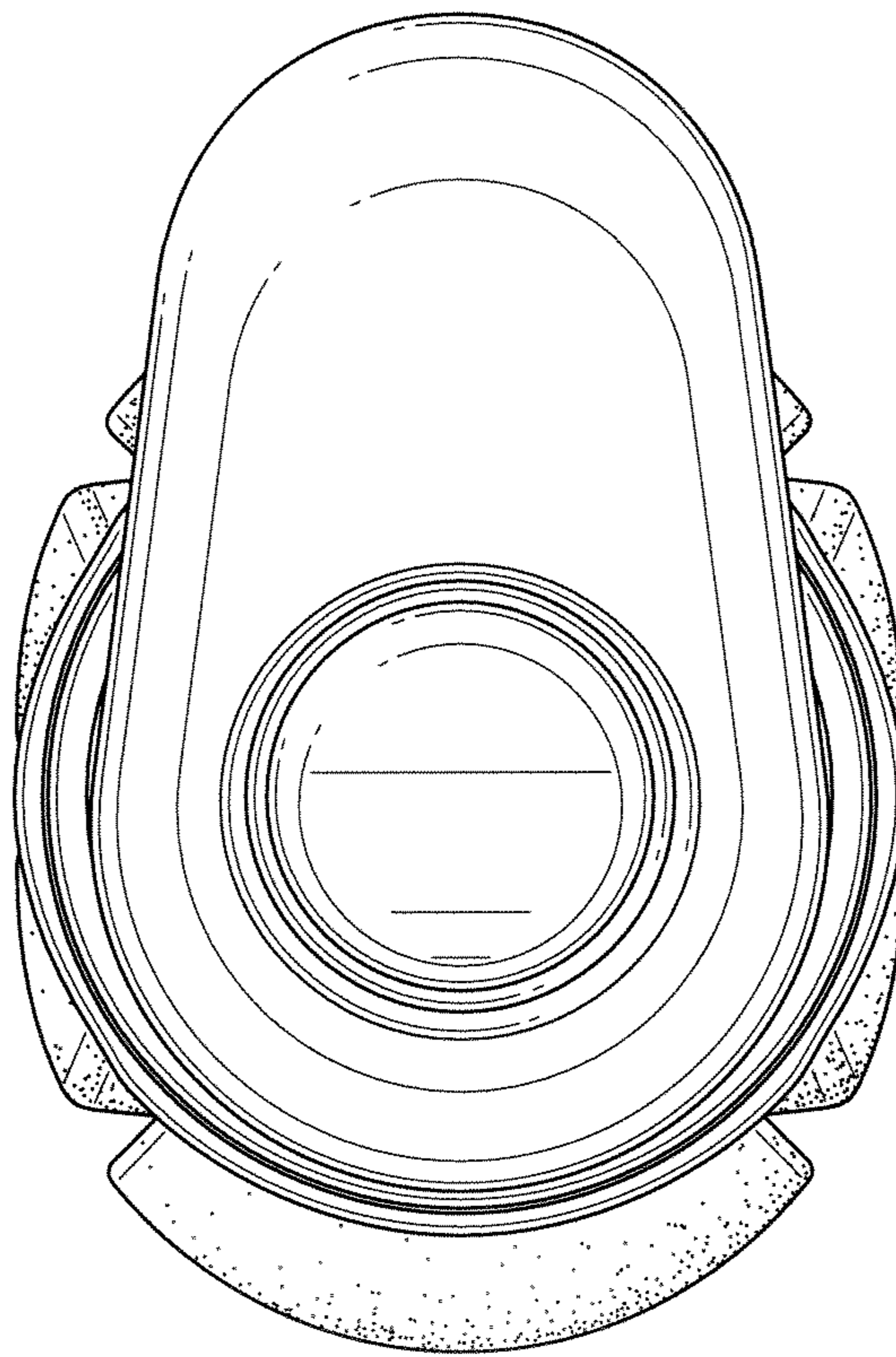


FIG. 6

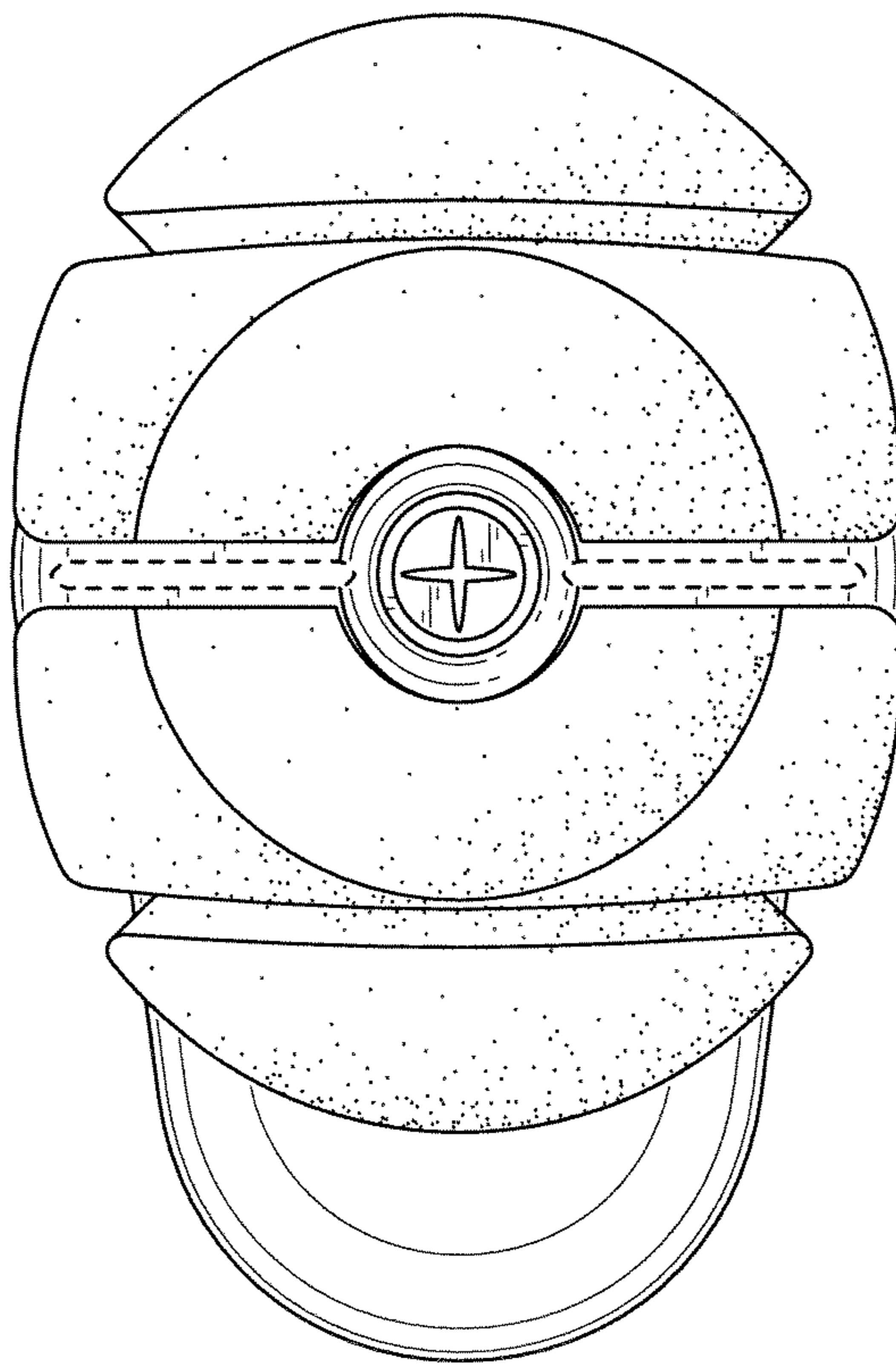


FIG. 7

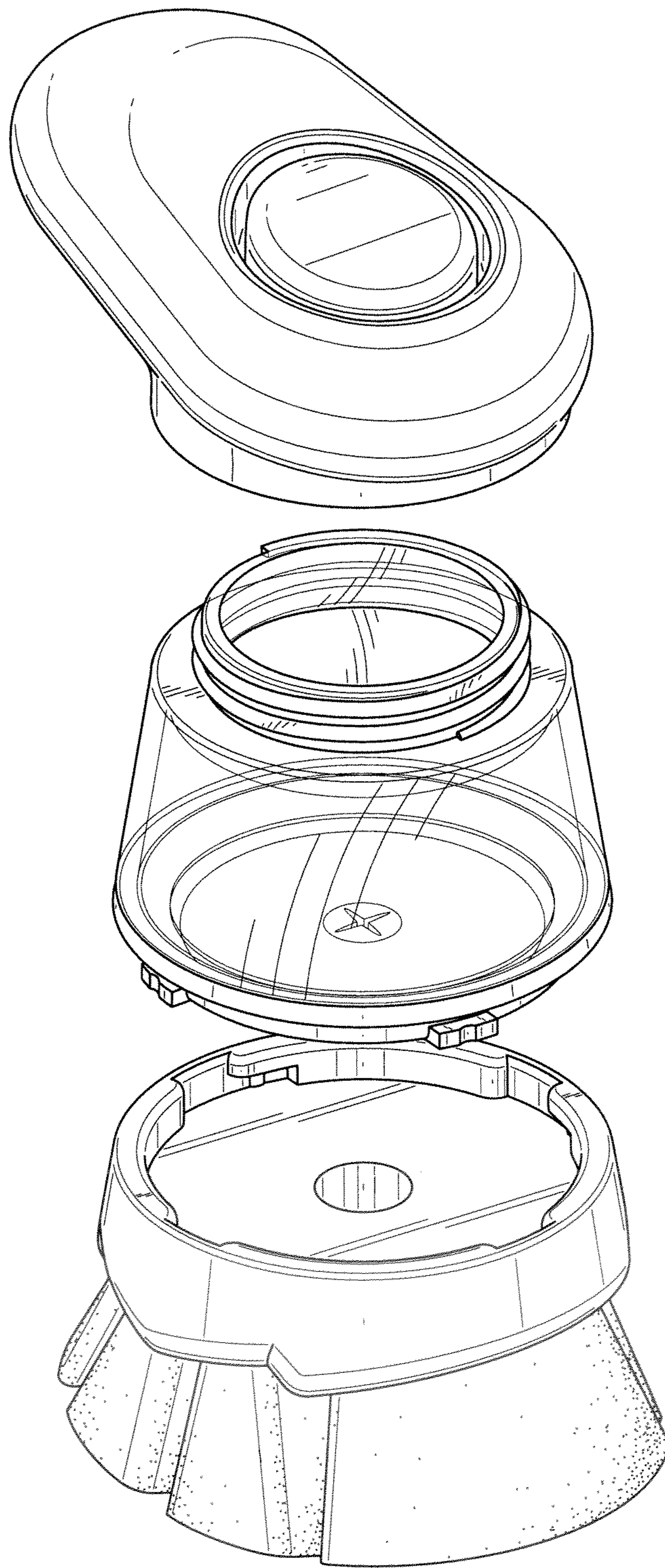


FIG. 8