



US00D688874S

(12) **United States Design Patent**
Domoto

(10) **Patent No.:** **US D688,874 S**
(45) **Date of Patent:** **** *Sep. 3, 2013**

(54) **ELECTRIC TOOTHBRUSH WITH CAP**

(75) Inventor: **Kana Domoto**, Tokyo (JP)

(73) Assignee: **Panasonic Corporation**, Kadoma-shi (JP)

(*) Notice: This patent is subject to a terminal disclaimer.

(**) Term: **14 Years**

(21) Appl. No.: **29/418,563**

(22) Filed: **Apr. 18, 2012**

(30) **Foreign Application Priority Data**

Oct. 18, 2011 (JP) 2011-023882

(51) **LOC (9) Cl.** **28-03**

(52) **U.S. Cl.**
USPC **D4/101; D4/108**

(58) **Field of Classification Search**

USPC D4/101, 104-112, 121, 138; 15/110, 15/143.1, 145, 159.1, 160, 167.1, 167.2, 15/184; 132/308-311; 601/139, 141, 142; D8/61; D24/133, 152; 81/57.11, 57.14, 81/57.31, 57.42; D28/76, 77, 88-90

See application file for complete search history.

(56) **References Cited**

U.S. PATENT DOCUMENTS

D303,733 S * 10/1989 Benichou D4/108
D318,375 S * 7/1991 Bennett D4/108
D409,800 S * 5/1999 Litton D28/77
D437,118 S * 2/2001 Cheng D4/108
D439,413 S * 3/2001 Klein D4/108

FOREIGN PATENT DOCUMENTS

CN 301516789 4/2011
EM 001278915-0001 1/2011
HK 1000893.4 7/2010
JP 1306685 S * 7/2007

(Continued)

Primary Examiner — Melanie H Tung

Assistant Examiner — Lavone D Tabor

(74) *Attorney, Agent, or Firm* — Marvin A. Motsenbocker; Mots Law, PLLC

(57) **CLAIM**

The ornamental design for an electric toothbrush with cap, as shown and described.

DESCRIPTION

FIG. 1 is a front perspective view of an electric toothbrush with cap;

FIG. 2 is a front view thereof;

FIG. 3 is a right side view thereof, the left side being a mirror image;

FIG. 4 is an enlarged top plan view thereof;

FIG. 5 is a rear view thereof;

FIG. 6 is an enlarged bottom plan view thereof;

FIG. 7 is front perspective view thereof with the cap omitted for clarity of illustration only;

FIG. 8 is a rear perspective view of the design as shown in FIG. 7;

FIG. 9 is a front view of the design as shown in FIG. 7;

FIG. 10 is a right side view of the design as shown in FIG. 7;

FIG. 11 is an enlarged top plan view of the design as shown in FIG. 7;

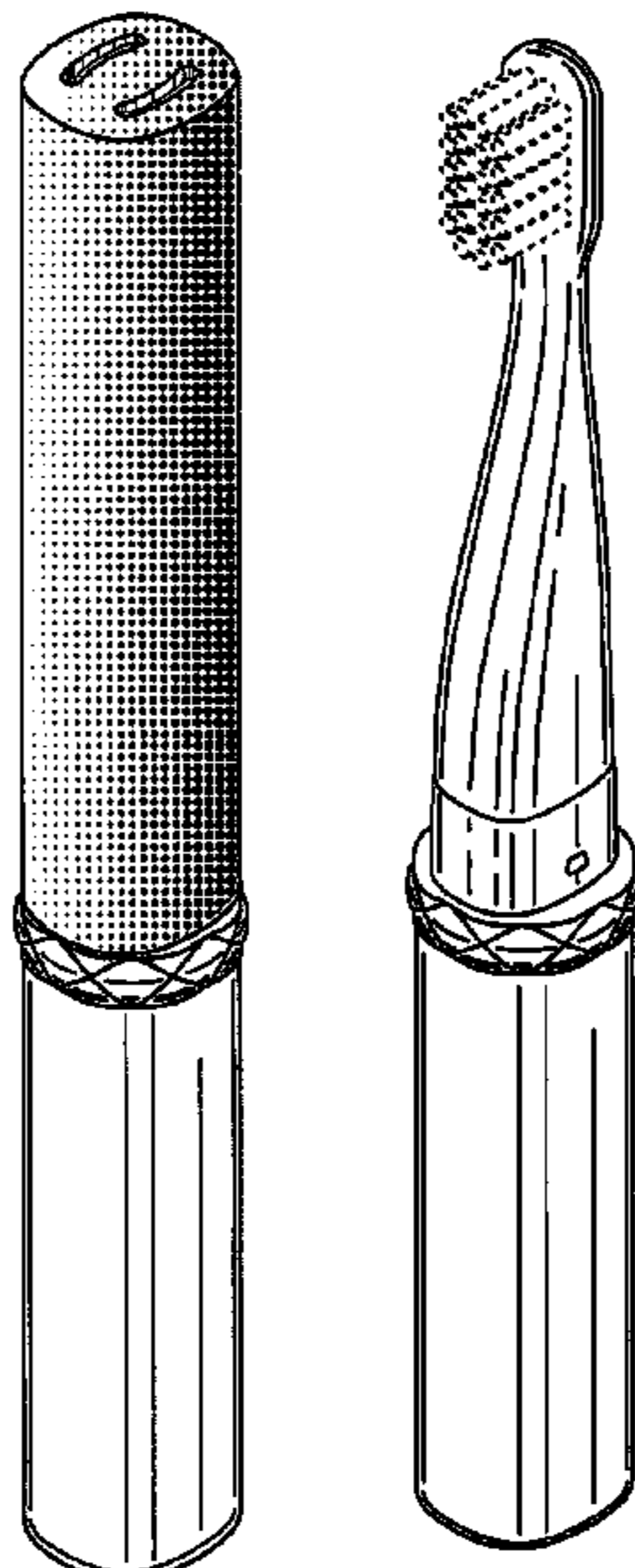
FIG. 12 is a rear view of the design as shown in FIG. 7;

FIG. 13 is a left side view of the design as shown in FIG. 7; and,

FIG. 14 is an enlarged bottom plan view of the design as shown in FIG. 7.

The portions of the article in broken lines are shown for illustrative purposes only and form no part of the claimed design.

1 Claim, 14 Drawing Sheets



(56)

References Cited

FOREIGN PATENT DOCUMENTS

JP 1306972 S * 7/2007
JP D1400004 11/2010
JP D1415216 6/2011
JP D1415563 6/2011

KR 30-0512921 S * 11/2006
KR 30-0461158 S * 9/2007
KR 30-0518853 S * 2/2009
KR 30-0600907 6/2011
KR 30-0600907-1 12/2011

* cited by examiner

Fig. 1

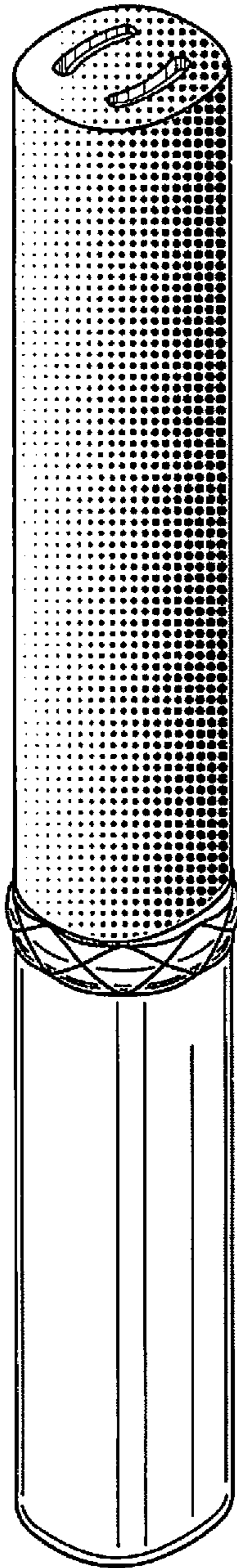


Fig.2

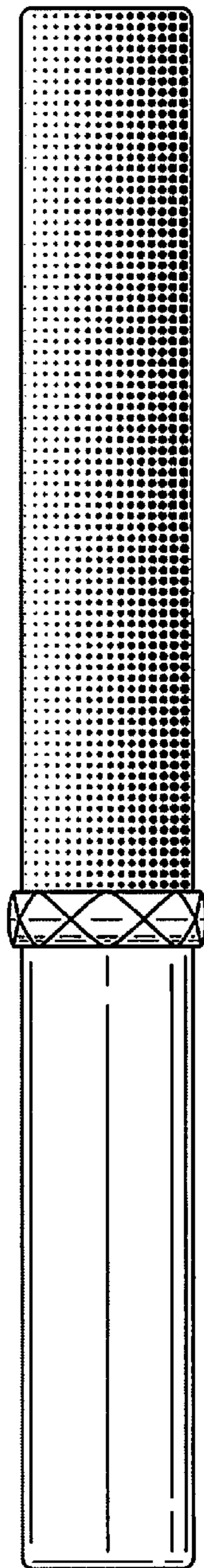


Fig.3

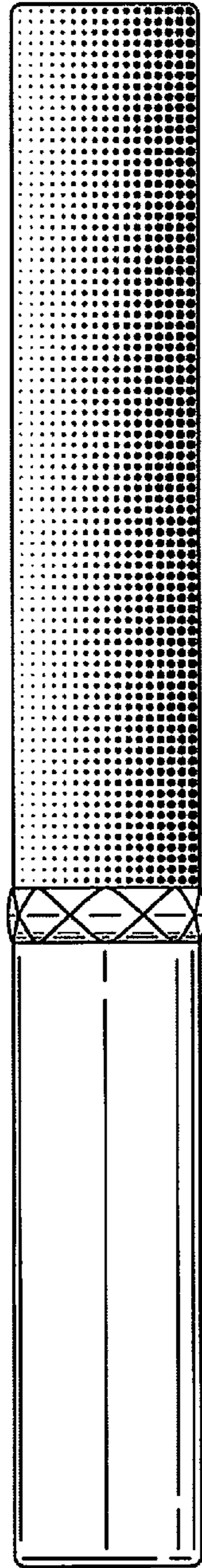


Fig.4

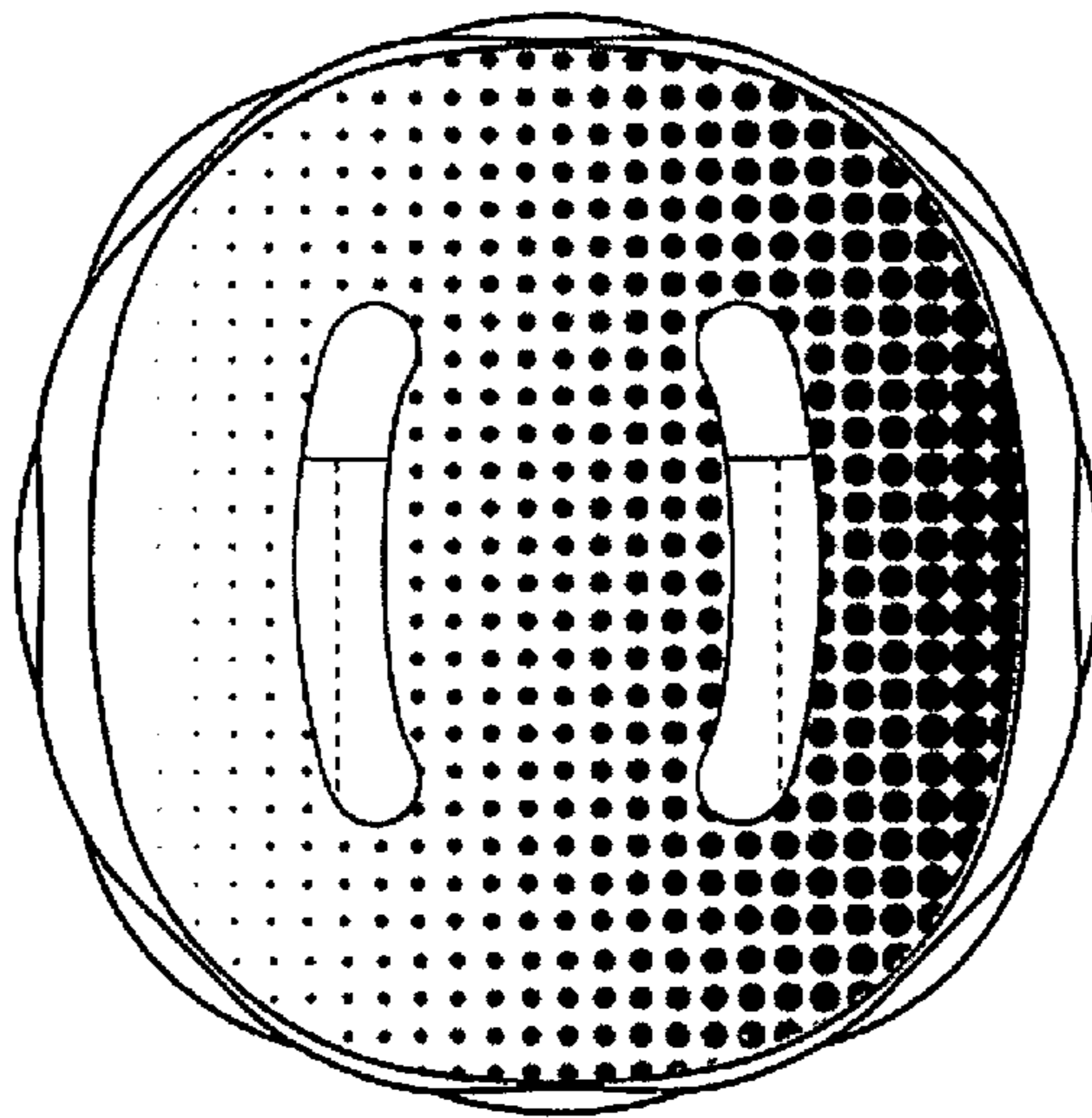


Fig.5

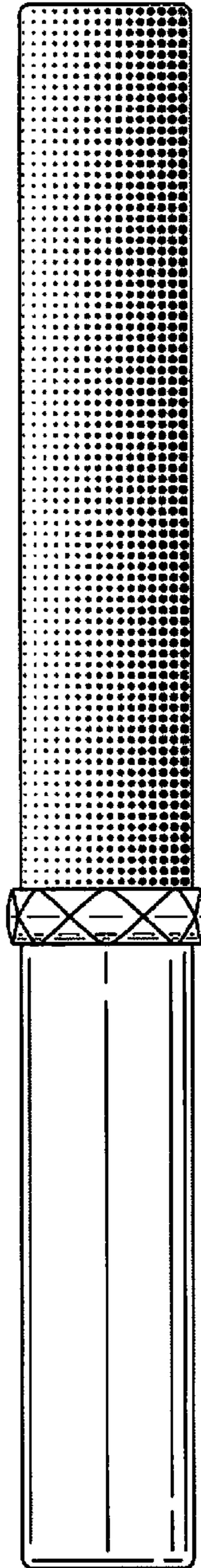


Fig.6

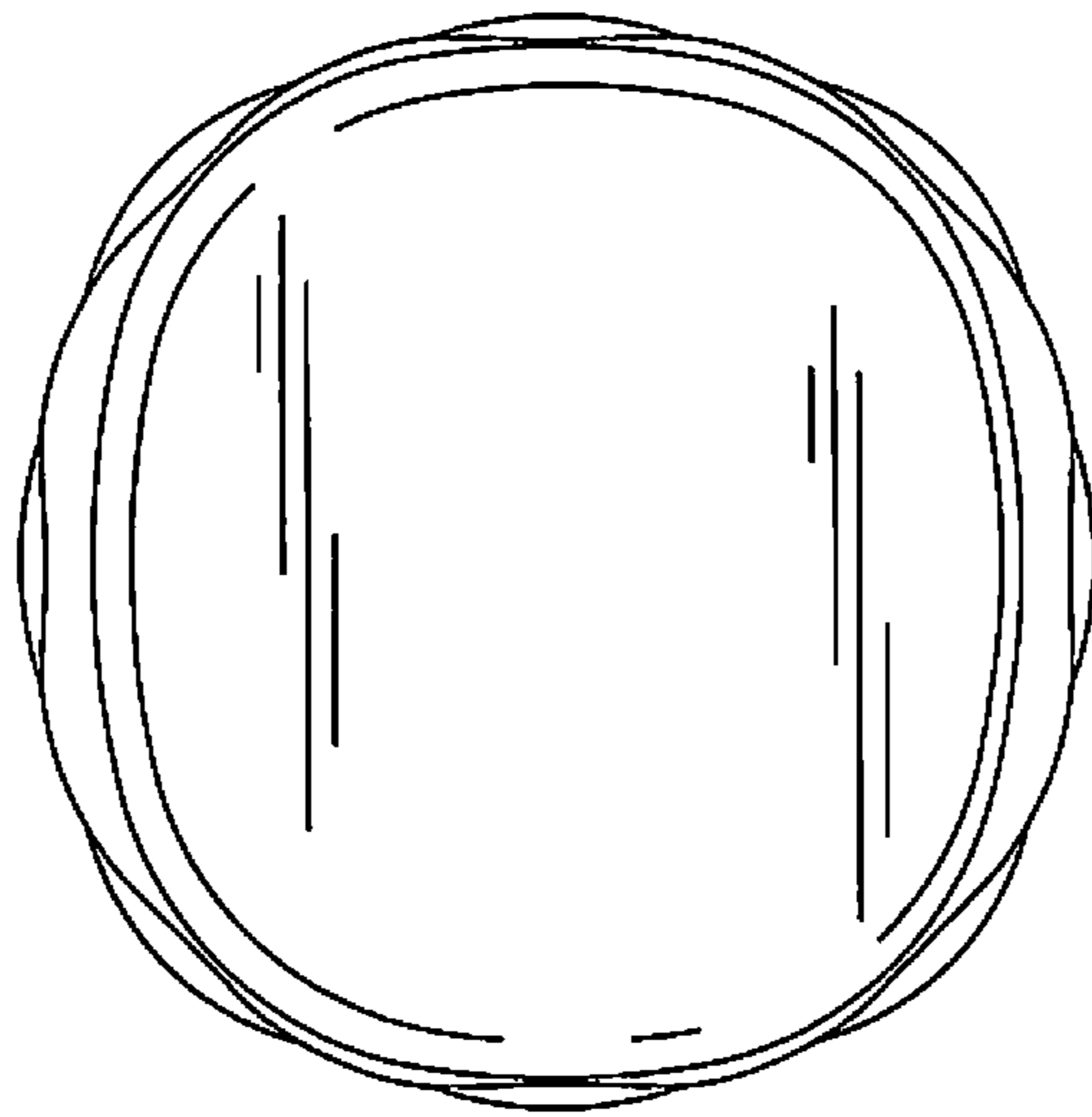


Fig.7

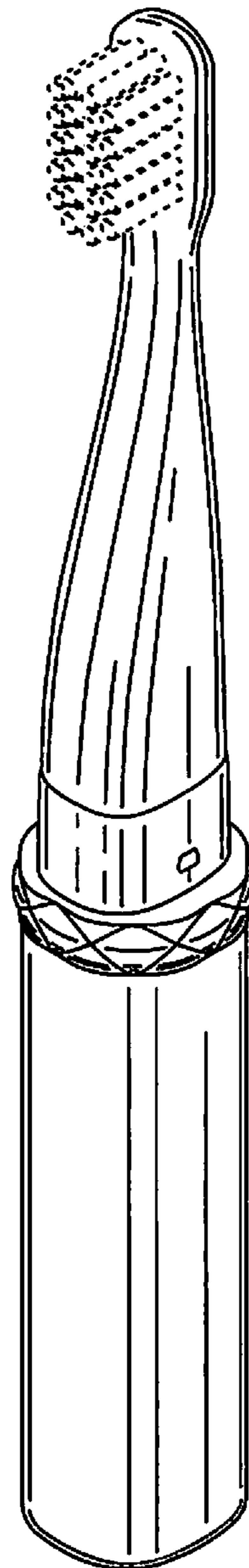


Fig.8

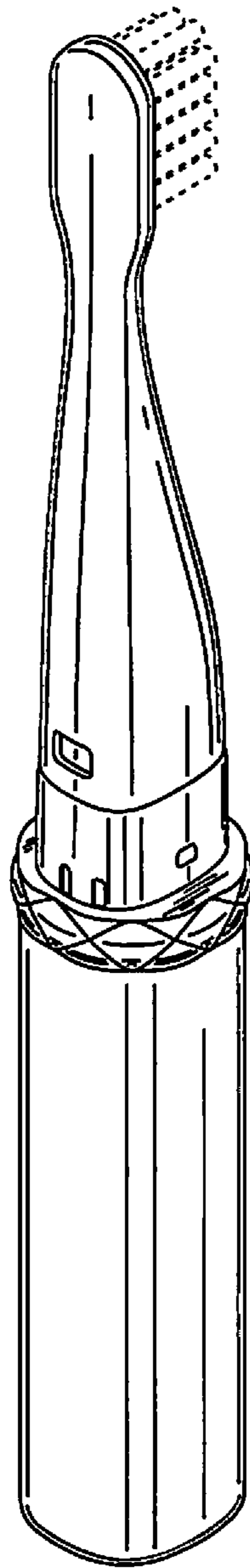


Fig.9

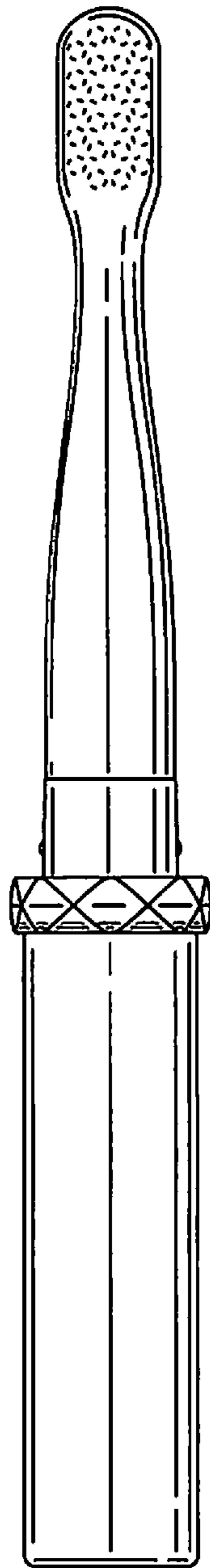


Fig. 10

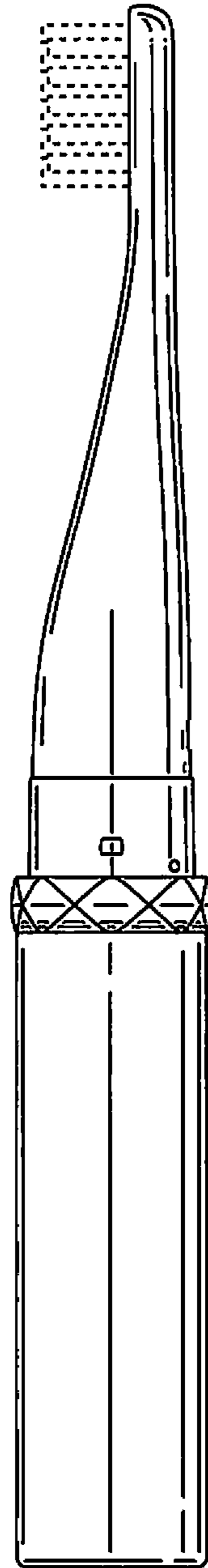


Fig. 11

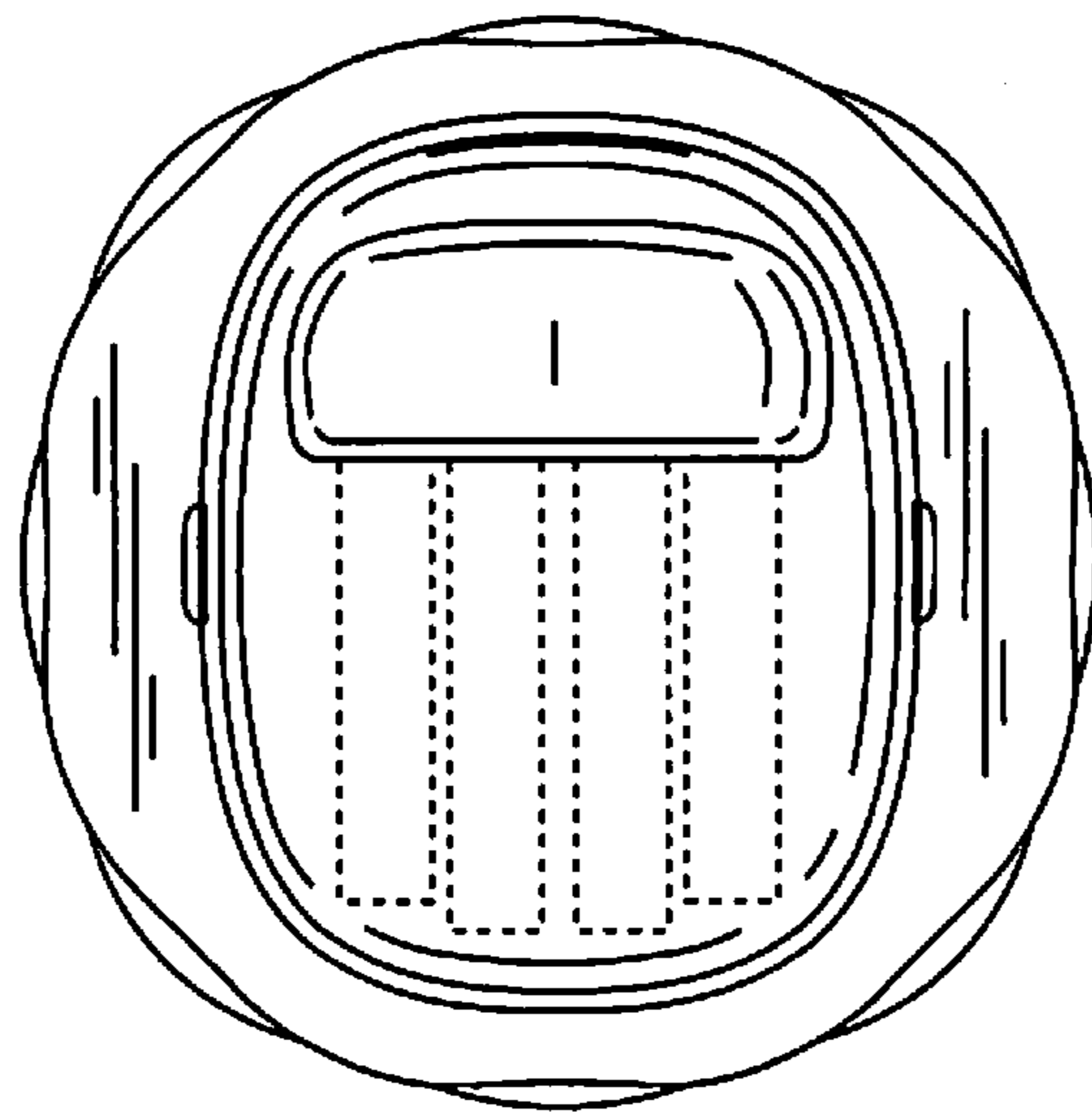


Fig. 12

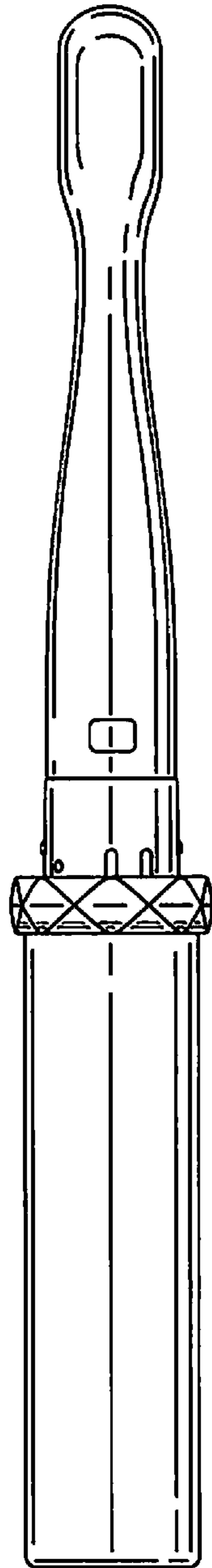


Fig. 13

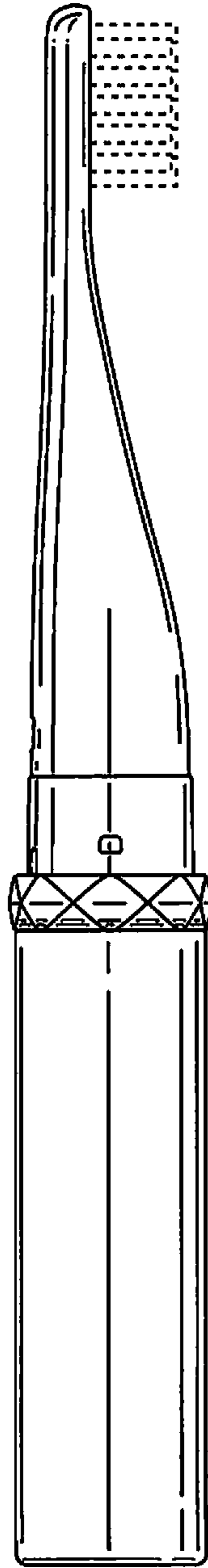


Fig.14

